



US00D862482S

(12) **United States Design Patent**
Shim et al.

(10) **Patent No.:** **US D862,482 S**

(45) **Date of Patent:** **** Oct. 8, 2019**

(54) **USB MEMORY**

D831,669 S * 10/2018 Shim D14/480.5
D831,670 S * 10/2018 Shim D14/480.5
D842,308 S * 3/2019 Shim D14/480.5

(71) Applicant: **SAMSUNG ELECTRONICS CO., LTD.**, Suwon-si (KR)

FOREIGN PATENT DOCUMENTS

(72) Inventors: **Shady Shim**, Seoul (KR); **Gyejin Jun**, Seongnam-si (KR)

CN 302299356 S 1/2013
EM 002208702-0001 3/2013
EM 003355825-0002 8/2016
JP HJ25029006 7/2013
KR 30-0683747 S 3/2013

(73) Assignee: **SAMSUNG ELECTRONICS CO., LTD.**, Suwon-si (KR)

(Continued)

(**) Term: **15 Years**

OTHER PUBLICATIONS

(21) Appl. No.: **29/648,012**

Communication dated Sep. 20, 2018, from the Taiwanese Patent Office in counterpart application No. 107302778.

(22) Filed: **May 17, 2018**

(Continued)

(30) **Foreign Application Priority Data**

Nov. 20, 2017 (KR) 30-2017-0054202

Primary Examiner — Angela J Lee

(51) **LOC (12) Cl.** **14-03**

(74) *Attorney, Agent, or Firm* — Sughrue Mion, PLLC

(52) **U.S. Cl.**
USPC **D14/480.1**

(57) **CLAIM**

(58) **Field of Classification Search**
USPC D14/480.1–480.7, 435.1, 411, 433, 436,
D14/484.1, 137, 155, 203.1–203.8, 240,
D14/242; D13/133, 154
CPC H05K 5/0278; H05K 19/07732
See application file for complete search history.

The ornamental design for a USB memory, as shown and described.

DESCRIPTION

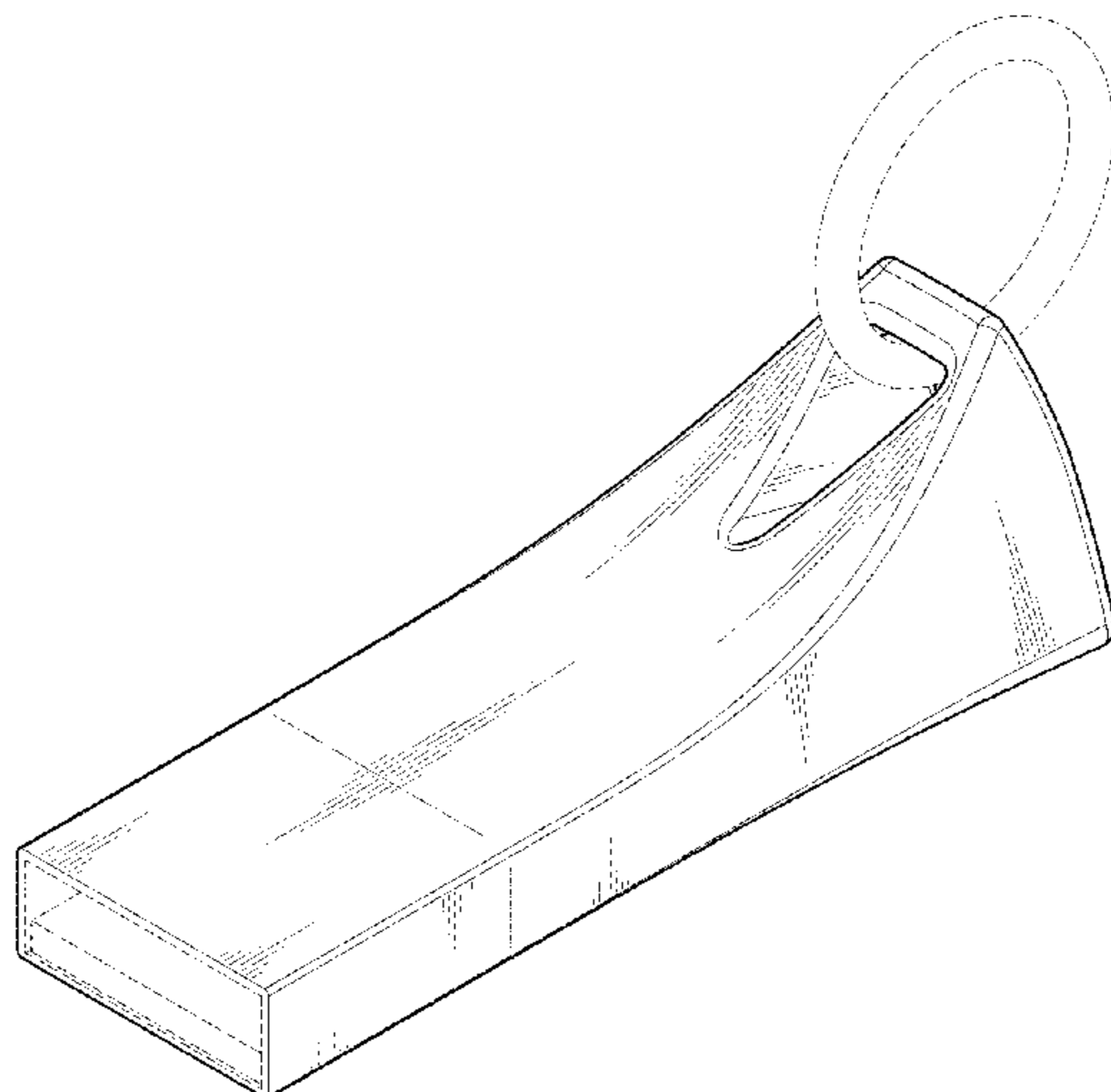
(56) **References Cited**

U.S. PATENT DOCUMENTS

D611,946 S * 3/2010 Wisniewski D14/480.5
D648,730 S * 11/2011 Huang D14/480.5
D759,027 S * 6/2016 Magi D14/480.1
D759,028 S * 6/2016 Emami D14/480.1
D771,059 S * 11/2016 Shim D14/480.5
D771,632 S * 11/2016 Shim D14/435.1
D771,636 S * 11/2016 Shim D14/480.1
D785,001 S * 4/2017 Shim D14/480.1
D798,877 S * 10/2017 Huang D14/480.1
D806,089 S * 12/2017 Shim D14/480.5

FIG. 1 is a perspective view of the USB memory showing our new design.
FIG. 2 is a front elevation view thereof.
FIG. 3 is a rear elevation view thereof.
FIG. 4 is a left side elevation view thereof.
FIG. 5 is a right side elevation view thereof.
FIG. 6 is a top plan view thereof.
FIG. 7 is a bottom plan view thereof; and,
FIG. 8 is a perspective view of the USB memory shown in an example environment.
The broken lines are for environmental purposes only and form no part of the claimed design.

1 Claim, 5 Drawing Sheets



(56)

References Cited

FOREIGN PATENT DOCUMENTS

KR	30-0803270 S	6/2015
KR	30-0837846 S	2/2016
KR	30-0837847 S	2/2016
KR	30-0851100 A	4/2016

OTHER PUBLICATIONS

Manufacturer: Sandisk, Model: SDCZ71-016G-B35, Source: <https://itbox.pro/catalog/item/227284/>, 1 page total.

Manufacturer: UU-U, Model: Memory Ring, Source: <https://www.psfk.com/2014/09/flash-drive-fashionable-ring-jewelry.html>, 1 page total.

Manufacturer: Fang-Chun Tsai, Model: USB Flash Drive, Source: <http://www.yankodesign.com/2011/04/11/combination-memory/>, 1 page total.

Manufacturer: N/A, Model: USB Flash Disk, Source: <https://www.behance.net/gallery/19078727/USB-flash-disk>, 1 page total.

Communication dated Nov. 27, 2018, issued by the Japanese Patent Office in counterpart Japanese Application No. 2018-010926.

* cited by examiner

FIG. 1

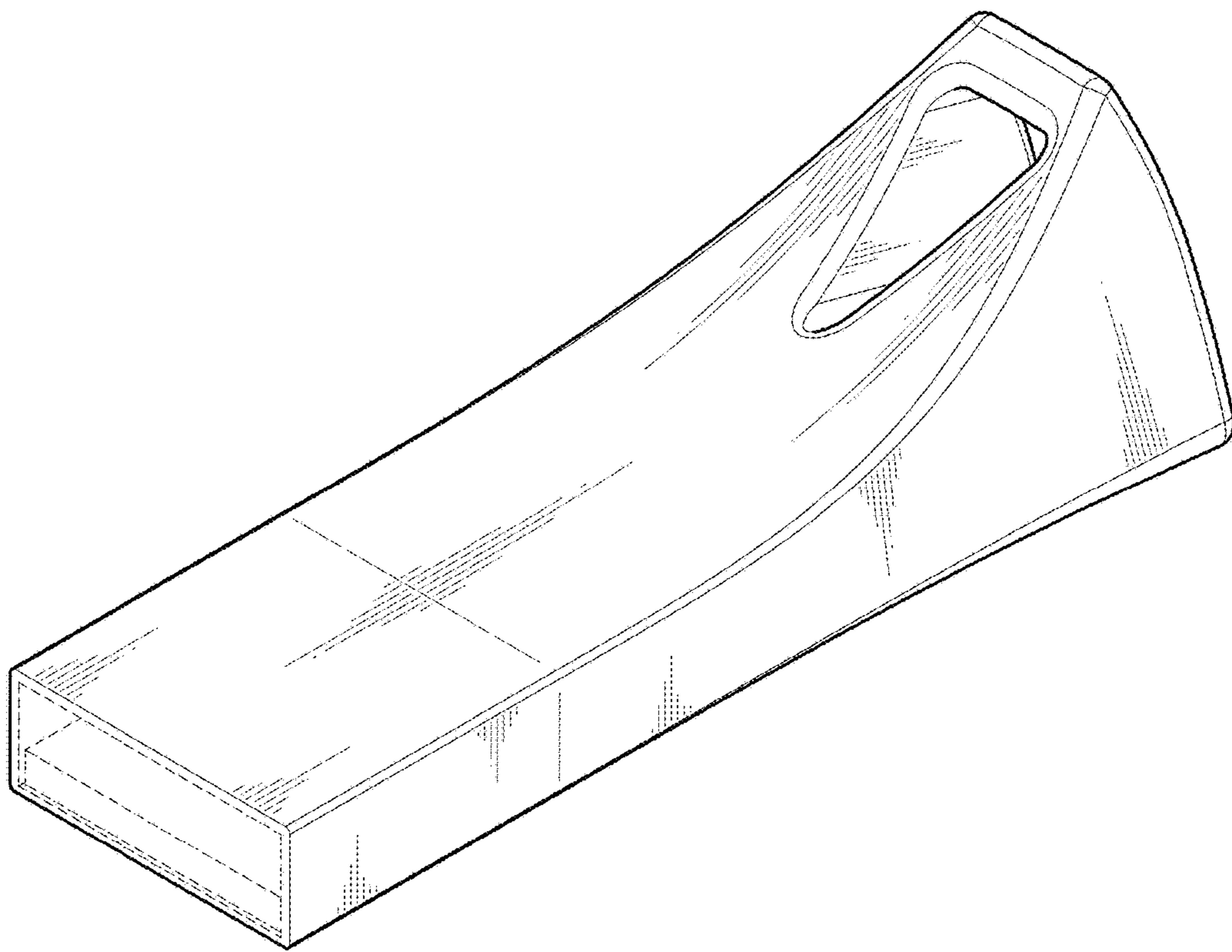


FIG. 2

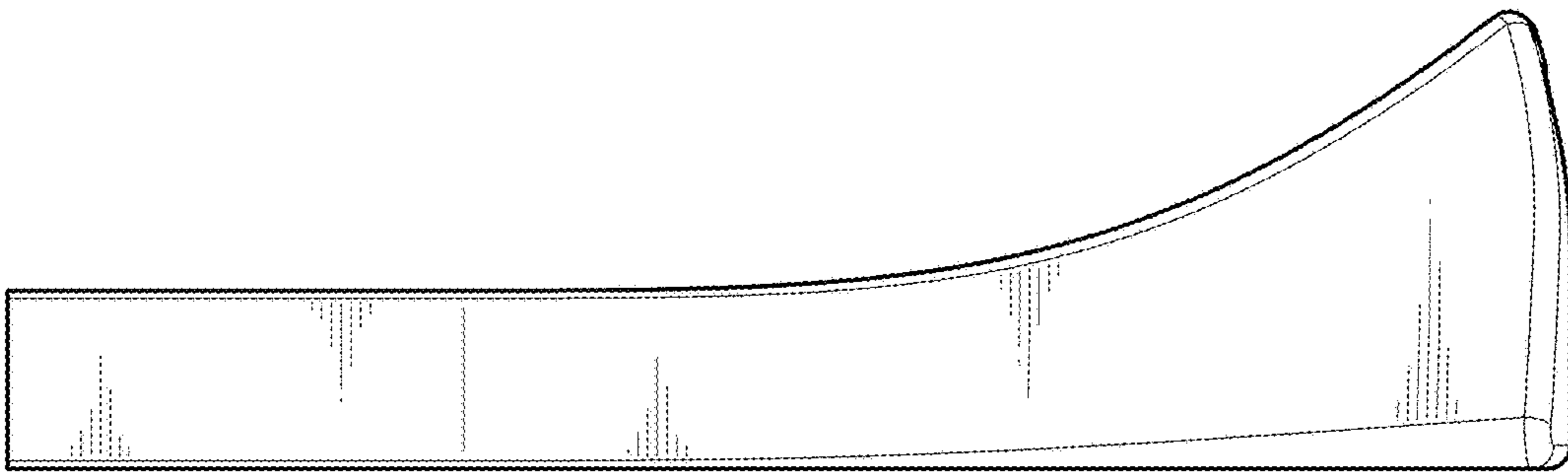


FIG. 3

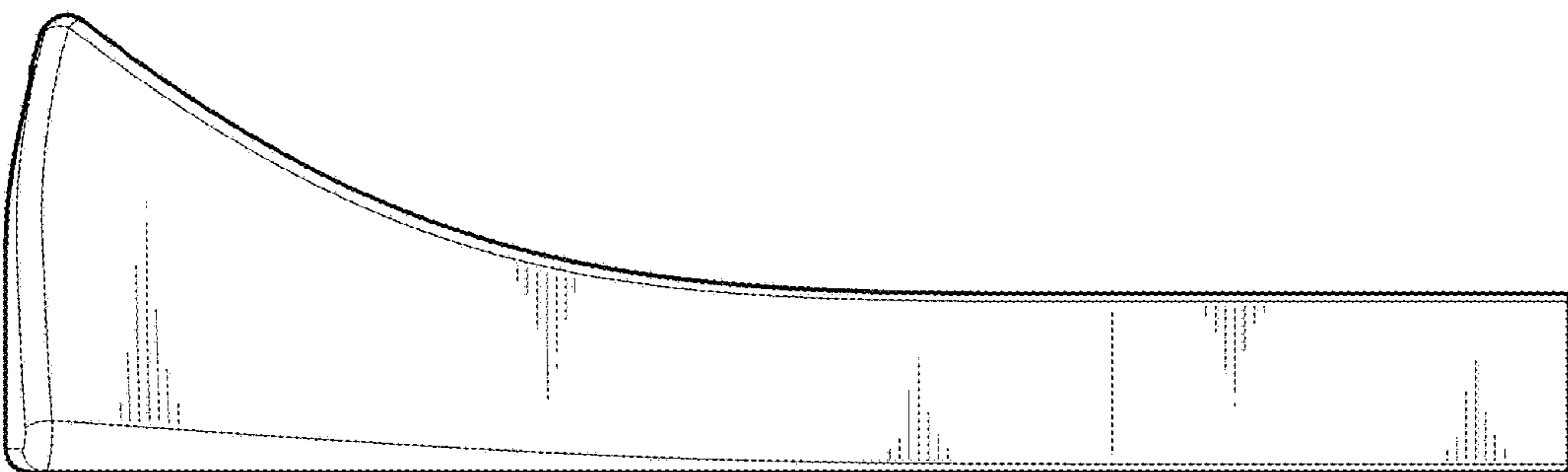


FIG. 4

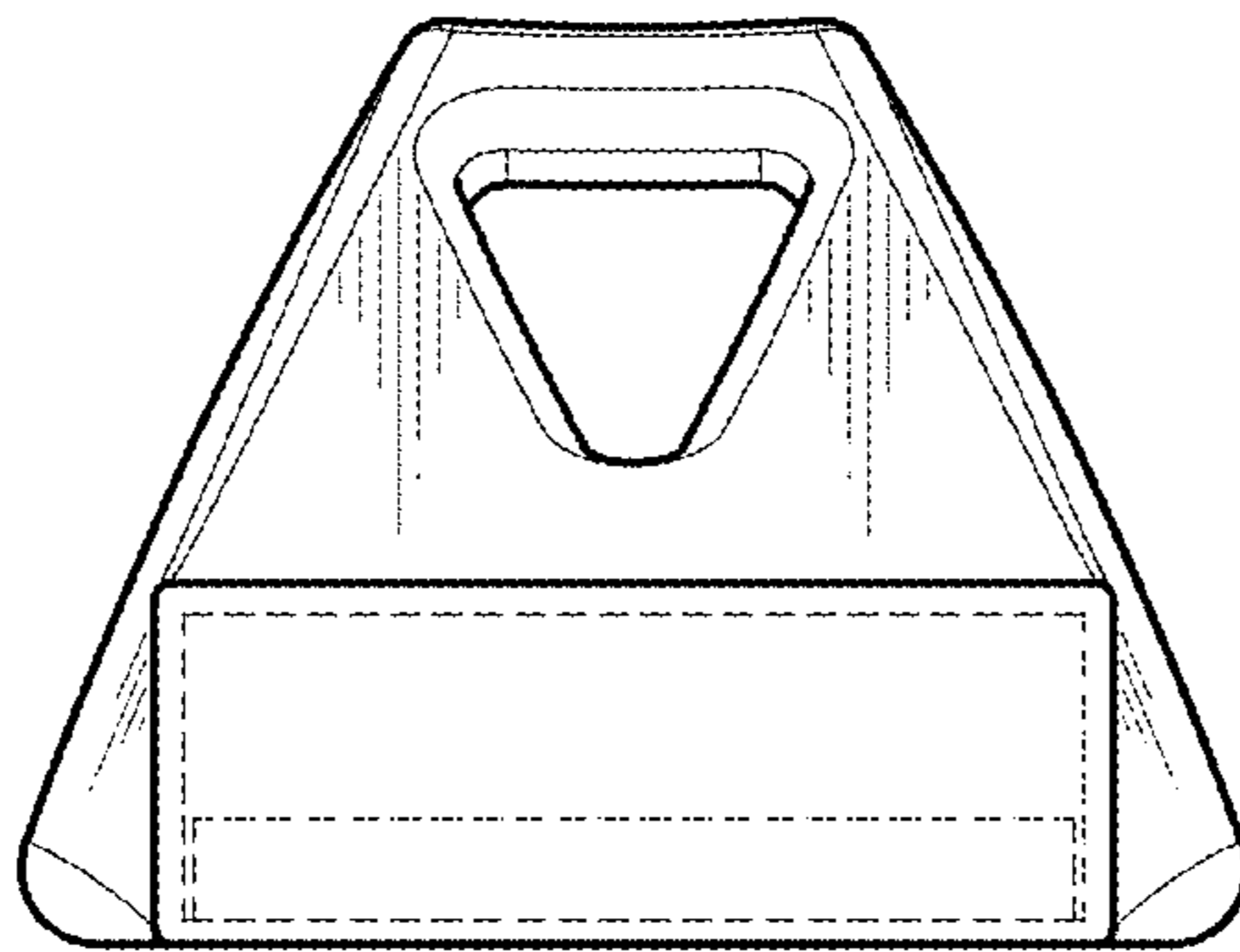


FIG. 5

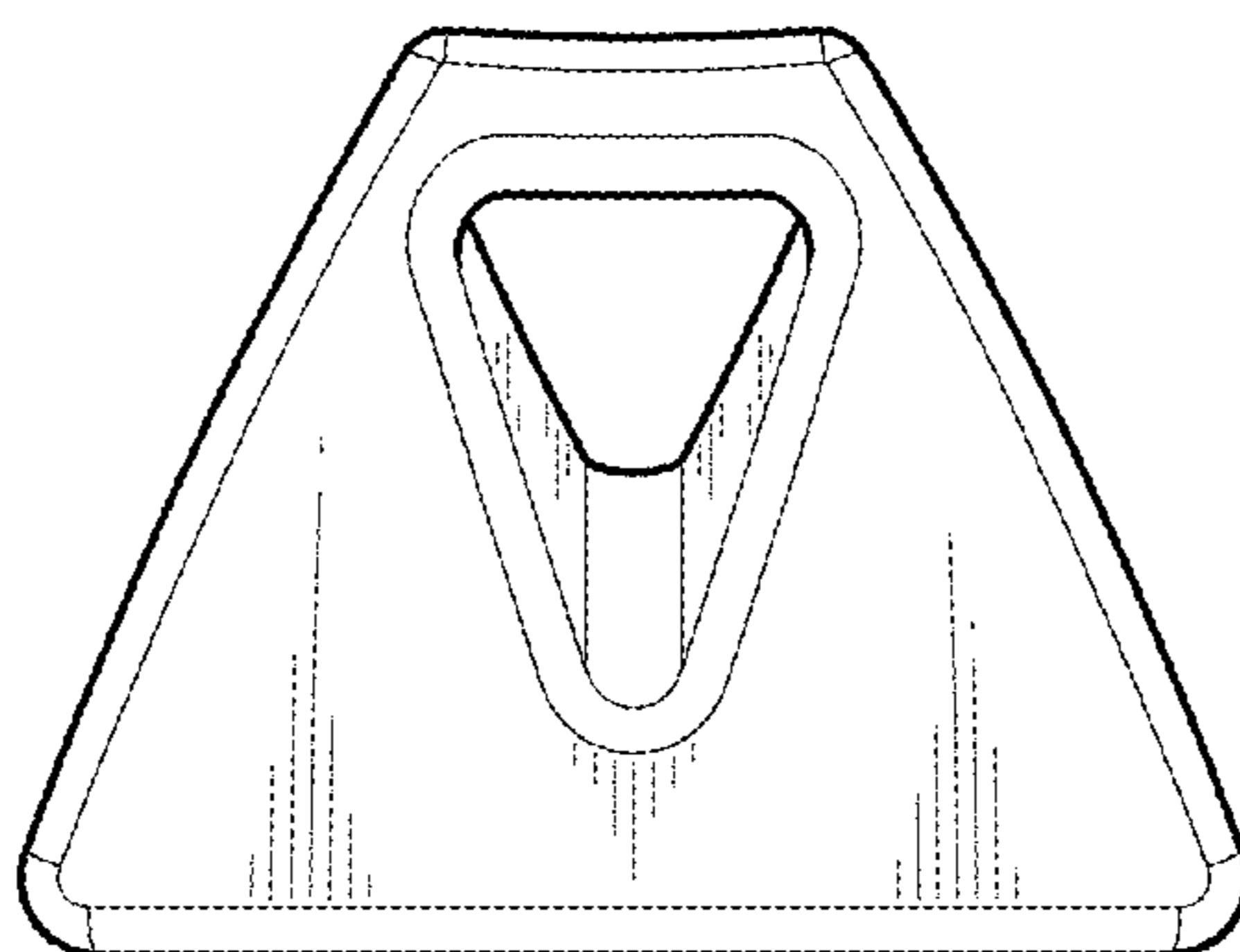


FIG. 6

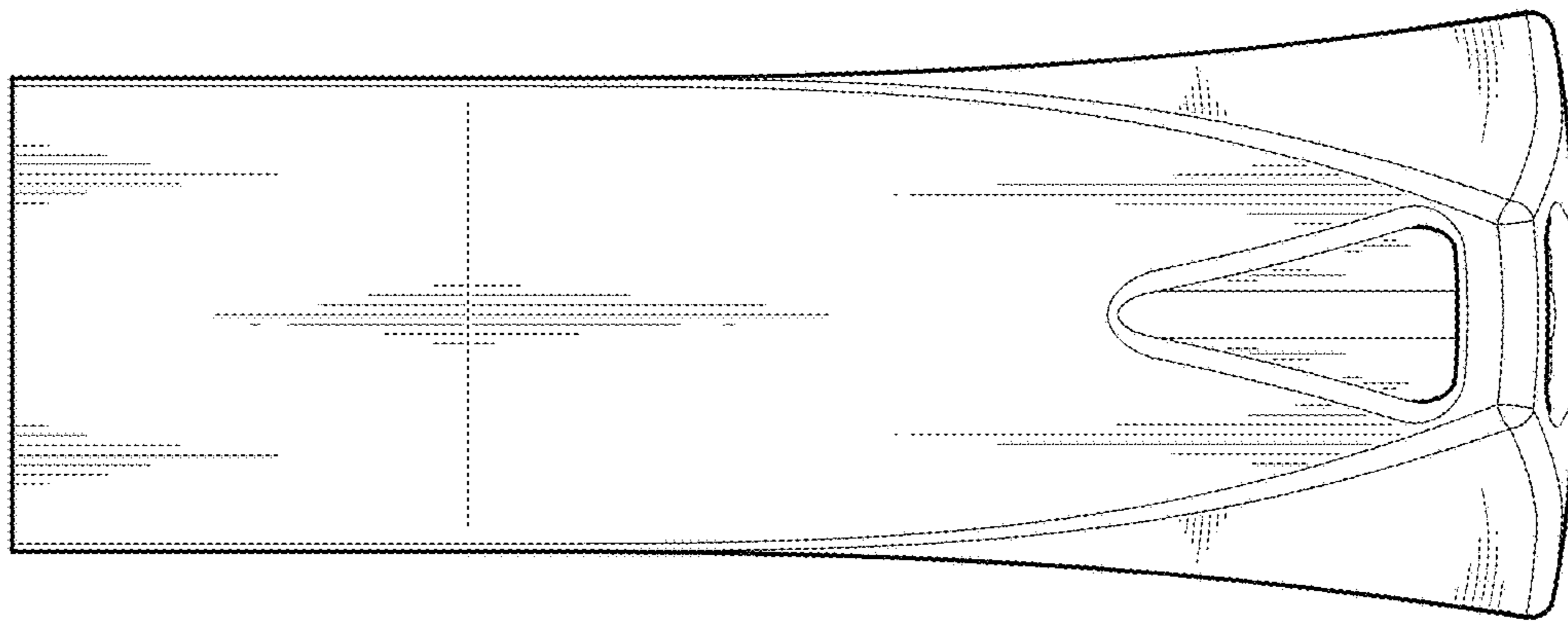


FIG. 7

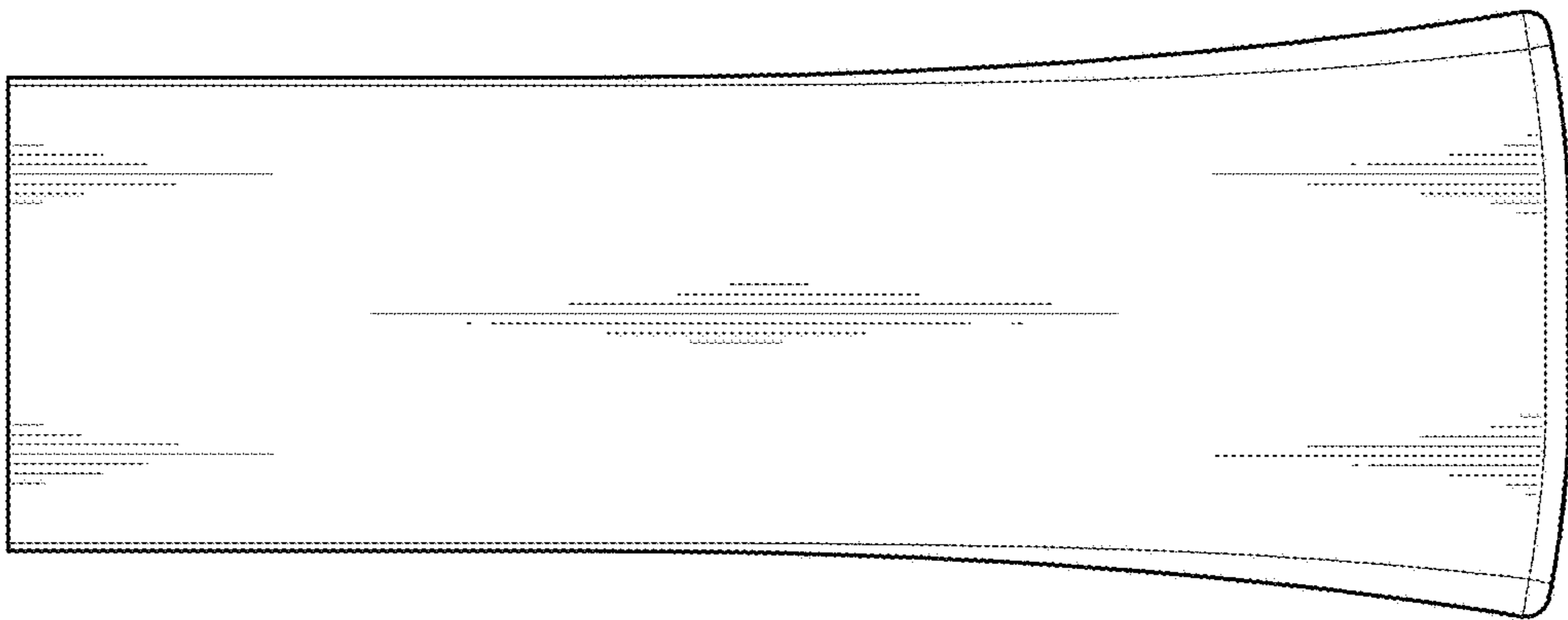


FIG. 8

