



US00D862480S

(12) **United States Design Patent**
Chan et al.

(10) **Patent No.:** **US D862,480 S**
(45) **Date of Patent:** **** Oct. 8, 2019**

- (54) **CASE WITH HANDLE FOR PORTABLE COMPUTING DEVICE**
- (71) Applicant: **Pioneer Square Brands, Inc.**, Seattle, WA (US)
- (72) Inventors: **Jaimie Emerald Chan**, Renton, WA (US); **Michael Cooper Ferren**, Camus, WA (US); **Michael Heecheol Kim**, Seattle, WA (US)
- (73) Assignee: **PIONEER SQUARE BRANDS, INC.**, McLean, VA (US)
- (**) Term: **15 Years**
- (21) Appl. No.: **29/691,035**
- (22) Filed: **May 13, 2019**
- (51) **LOC (12) Cl.** **14-02**
- (52) **U.S. Cl.**
USPC **D14/440**
- (58) **Field of Classification Search**
USPC D14/440, 447, 250; 206/45.23, 320, 206/45.2; 361/679.55; 294/25; 224/218
CPC ... G06F 1/1628; G06F 1/1626; A47B 23/044; H04B 1/3888
See application file for complete search history.

- D676,449 S * 2/2013 Probst D14/440
- D685,376 S * 7/2013 Kim D14/439
- D689,056 S 9/2013 Li
- D690,704 S 10/2013 Padilla et al.
- D691,144 S 10/2013 Peters et al.
- D691,146 S 10/2013 Perez
- D694,246 S * 11/2013 Park D14/440
- D703,672 S 4/2014 Kim et al.
- 8,690,210 B1 * 4/2014 May A45F 5/00
224/217
- D712,412 S * 9/2014 Bleau D14/440
- D721,075 S * 1/2015 Toda D14/342
- D721,376 S * 1/2015 Lee D14/440
- D725,659 S * 3/2015 Tussy D14/440
- D727,917 S * 4/2015 Yeo D14/440
- D733,154 S * 6/2015 Armstrong D14/440
- D741,335 S 10/2015 Bastian et al.
- D747,321 S * 1/2016 London D14/440
- D749,592 S * 2/2016 Huang D14/440
- D752,052 S * 3/2016 Park D14/440
- D763,853 S * 8/2016 Pearce D14/440
- D765,085 S * 8/2016 Moore D14/440

(Continued)

Primary Examiner — Cynthia R Underwood
(74) *Attorney, Agent, or Firm* — Grandview Law

(57) **CLAIM**

The ornamental design for a case with handle for portable computing device, as shown and described.

DESCRIPTION

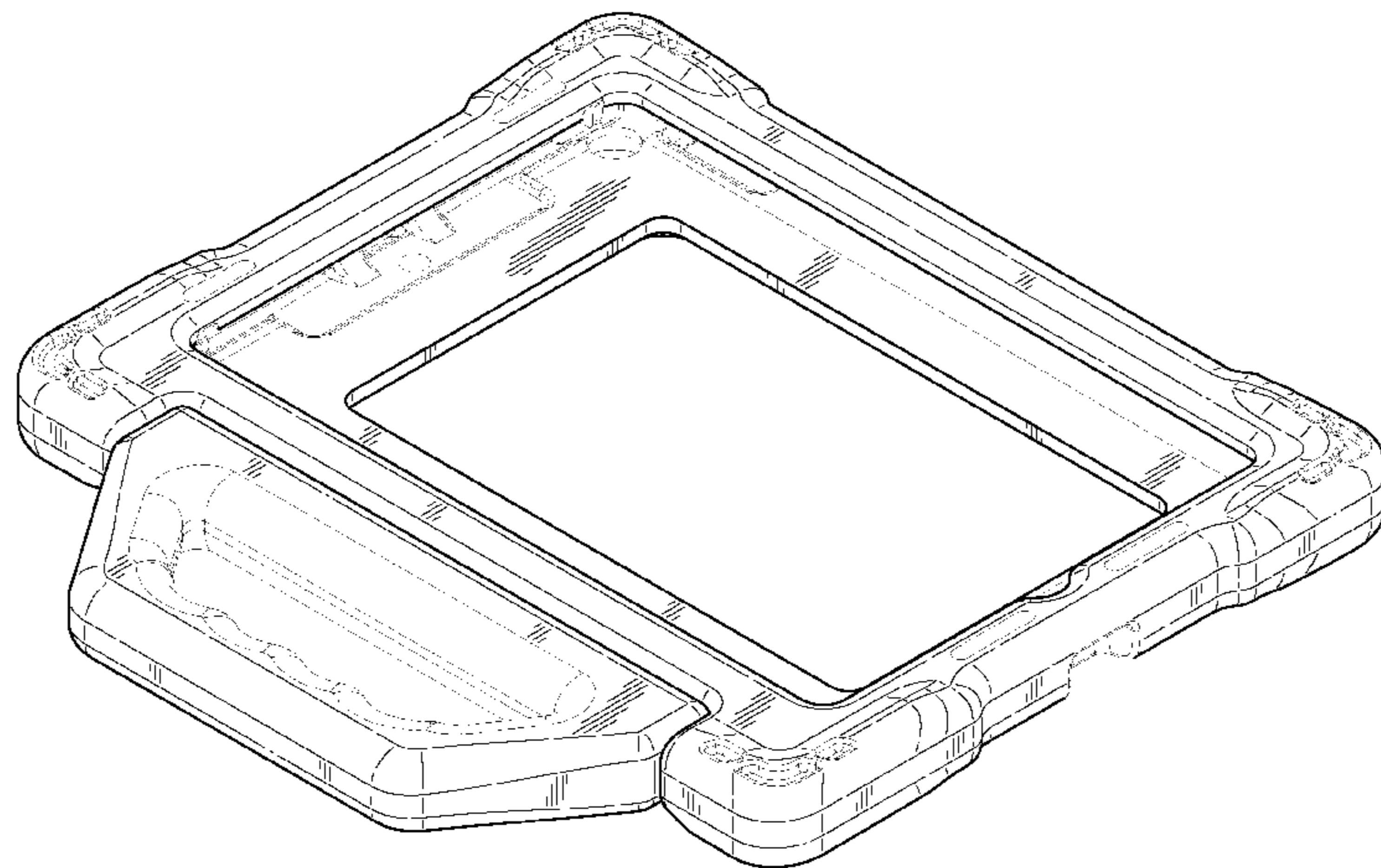
FIG. 1 is a front perspective view of a first embodiment. FIG. 2 is a front elevational view thereof. FIG. 3 is a rear elevational view thereof. FIG. 4 is a left elevational view thereof. FIG. 5 is a right elevational view thereof. FIG. 6 is a bottom elevational view thereof; and, FIG. 7 is a top elevational view thereof. The features shown in broken lines in the drawing figures depict features that form no part of the claimed design.

1 Claim, 6 Drawing Sheets

(56) **References Cited**

U.S. PATENT DOCUMENTS

- 6,726,070 B2 * 4/2004 Lautner A44C 5/0007
224/221
- D492,303 S * 6/2004 Schlieffers D14/341
- D591,801 S * 5/2009 Mak D21/469
- D594,004 S * 6/2009 Takemasa D14/341
- D611,467 S * 3/2010 Gou D14/315
- D613,285 S * 4/2010 Grant D14/341
- D626,123 S * 10/2010 Peng D14/324
- D665,168 S 8/2012 Dawson



(56)

References Cited

U.S. PATENT DOCUMENTS

9,407,743	B1 *	8/2016	Hirshberg	H04M	1/04			
D766,249	S *	9/2016	Veltz	D14	440			
D771,030	S *	11/2016	Tussy	D14	250			
D784,350	S *	4/2017	Li	D14	440			
D794,625	S *	8/2017	Armstrong	D14	250			
D797,106	S *	9/2017	Paolizzi	D14	426			
D807,366	S	1/2018	Chen						
D829,720	S	10/2018	Zhang						
D834,027	S	11/2018	Chapuis et al.						
D834,581	S	11/2018	Li						
D835,624	S	12/2018	Li						
D835,625	S	12/2018	Li						
D842,861	S *	3/2019	Bailey	D14	440			
D843,377	S	3/2019	Tang						
D849,011	S *	5/2019	Pang	D14	440			
D852,202	S *	6/2019	Ferren	D14	440			
D854,022	S *	7/2019	Chen	D14	440			
2004/0226973	A1 *	11/2004	Kao	F16M	11/041			
									224/218
2007/0215512	A1 *	9/2007	Bellissimo	A47G	23/0625			206/557
2009/0219677	A1 *	9/2009	Mori	A45F	3/14			361/679.03
2011/0267748	A1 *	11/2011	Lane	A45F	5/00			361/679.01
2011/0309117	A1 *	12/2011	Roberts	A45F	5/00			224/217
2012/0091312	A1 *	4/2012	Baker	F16M	13/00			248/682
2014/0054910	A1 *	2/2014	Kim	H04B	1/385			294/158
2014/0152034	A1 *	6/2014	Tussy	F16M	13/04			294/142
2015/0009610	A1 *	1/2015	London	G06F	1/163			361/679.03
2015/0068934	A1 *	3/2015	Armstrong	A45C	11/00			206/320
2015/0201743	A1 *	7/2015	Erickson-Davis	A45F	5/00			224/218
2017/0045920	A1 *	2/2017	Armstrong	G06F	1/1669			

* cited by examiner

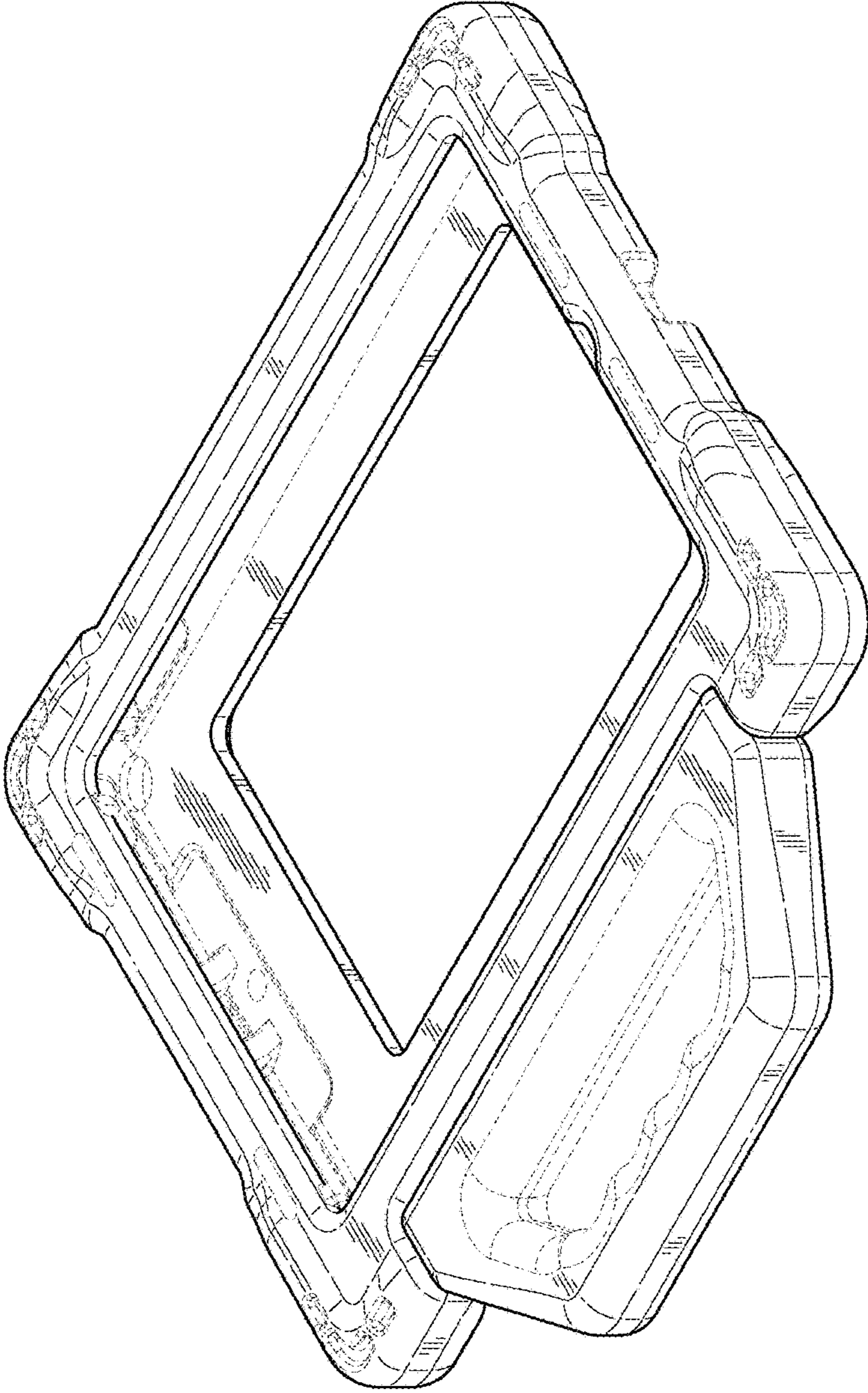


FIG. 1

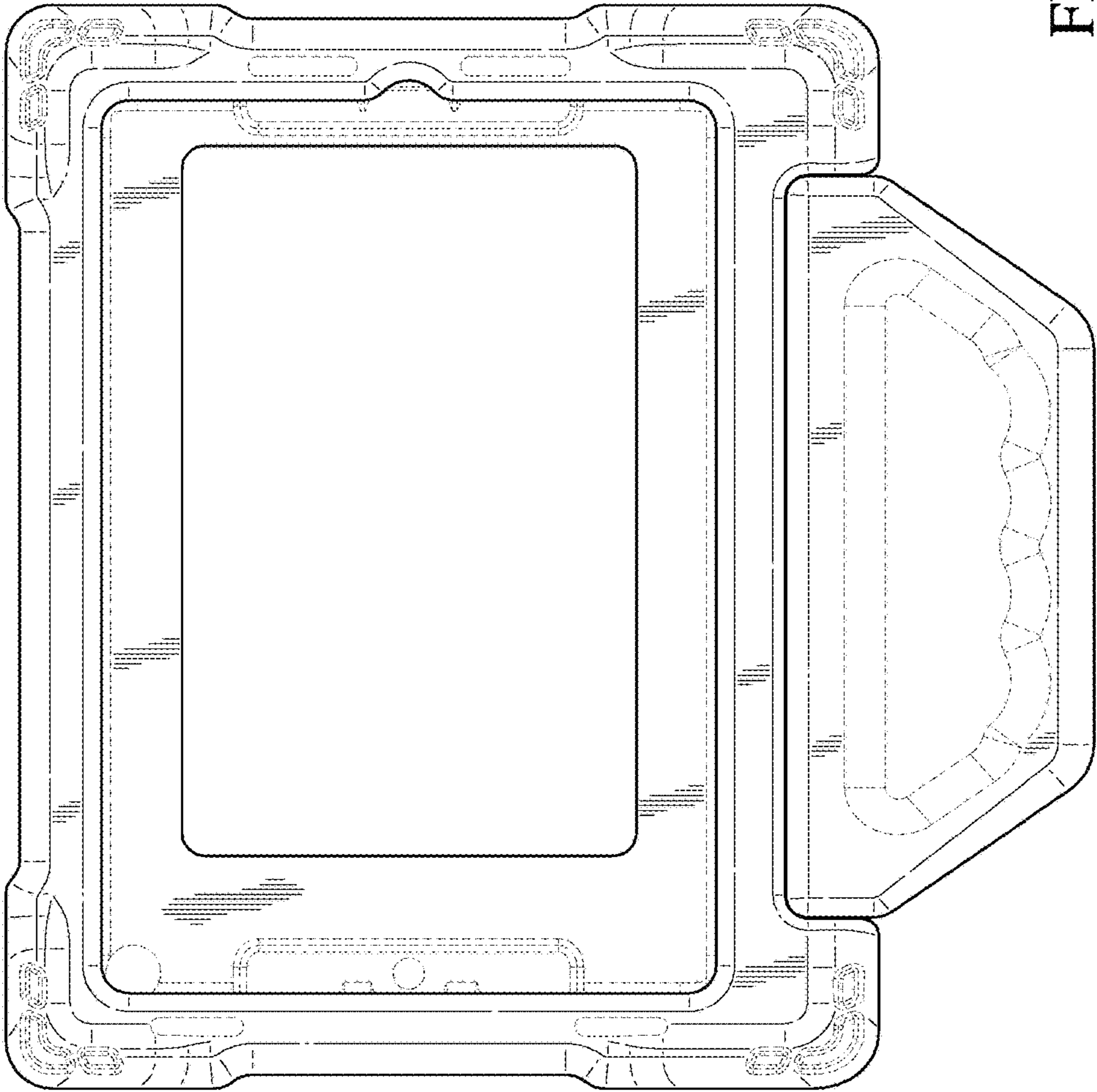


FIG. 2

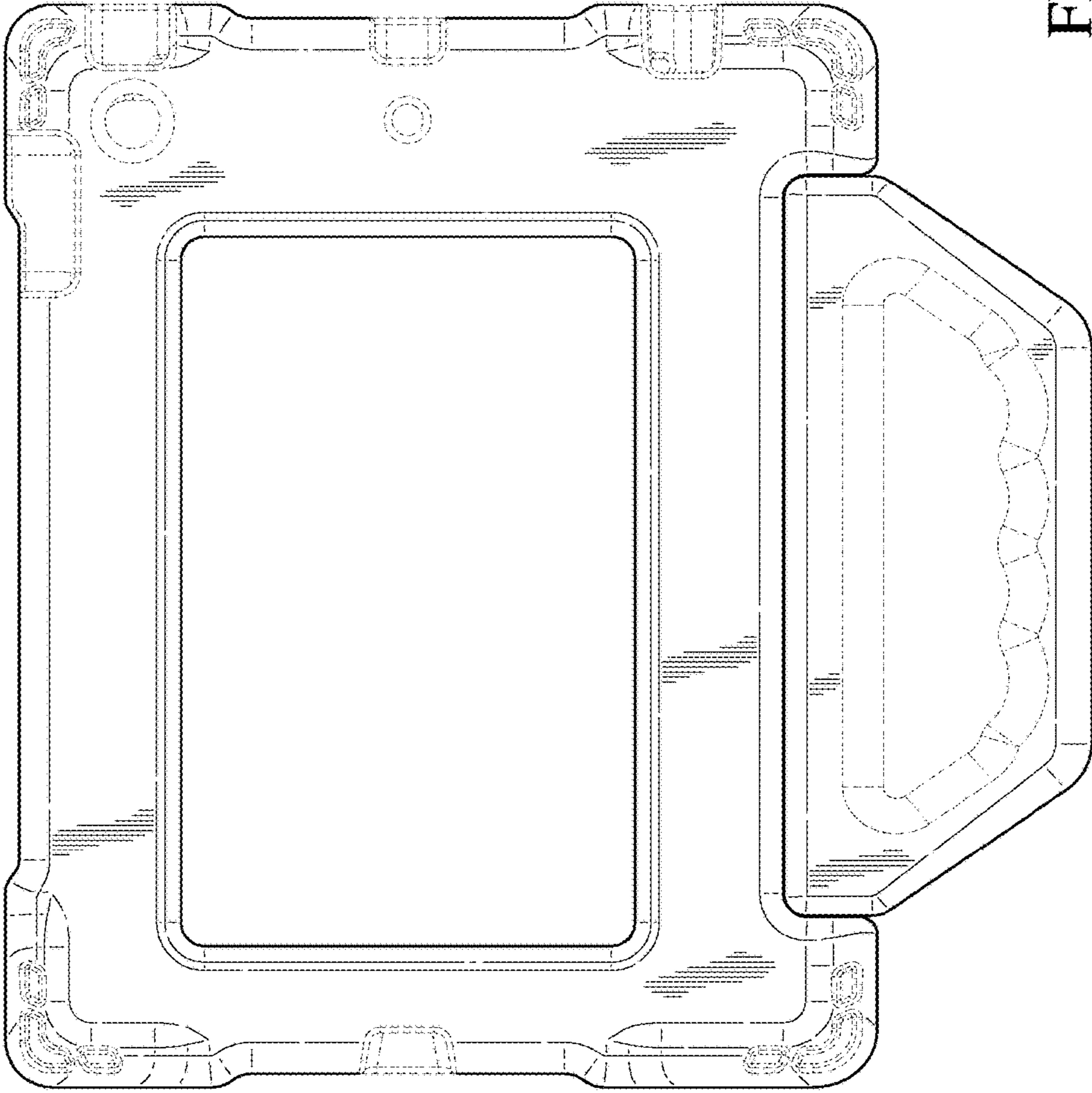


FIG. 3

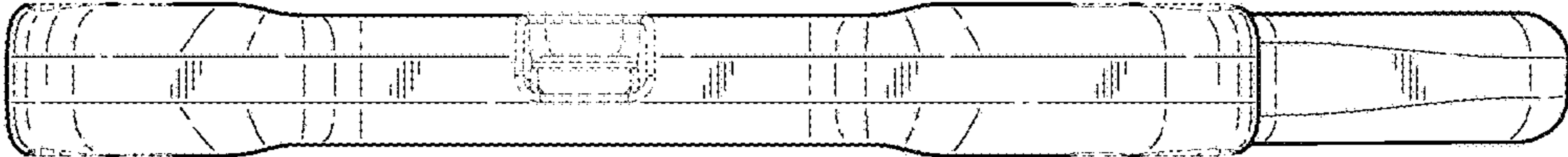


FIG. 4

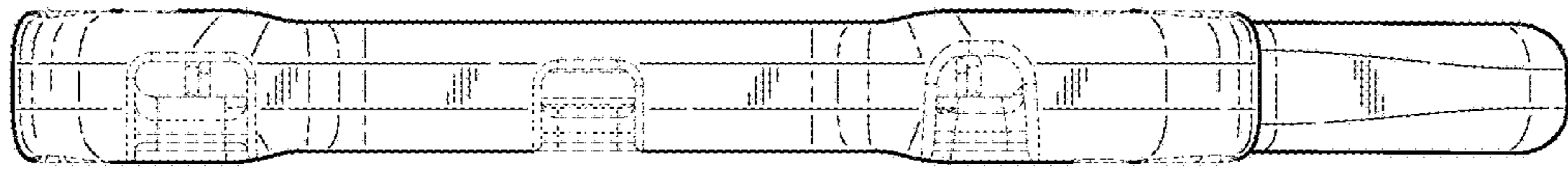


FIG. 5

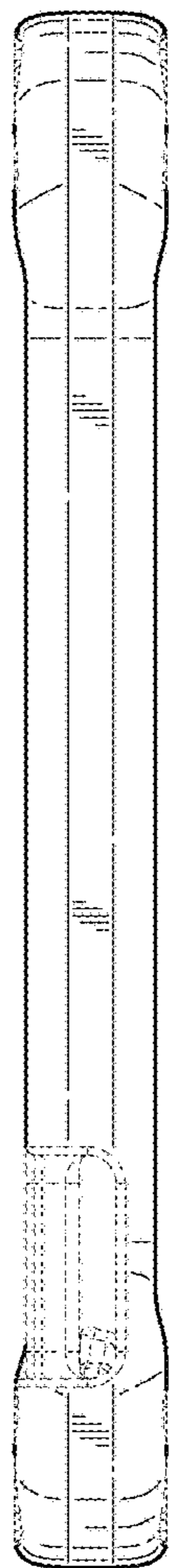


FIG. 6

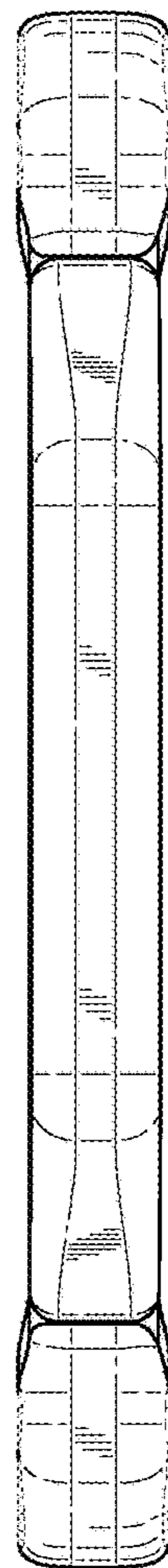


FIG. 7