

US00D862477S

(12) **United States Design Patent** (10) **Patent No.:** **US D862,477 S**
Kim (45) **Date of Patent:** **** Oct. 8, 2019**

(54) **CASE FOR ELECTRONIC DEVICES**

(71) Applicant: **SPIGEN KOREA CO., LTD.**, Seoul (KR)

(72) Inventor: **Seungjoo Kim**, Seoul (KR)

(73) Assignee: **SPIGEN KOREA CO., LTD.**, Seoul (KR)

(**) Term: **15 Years**

(21) Appl. No.: **29/647,239**

(22) Filed: **May 10, 2018**

(51) **LOC (12) Cl.** **14-02**

(52) **U.S. Cl.**
USPC **D14/440**

(58) **Field of Classification Search**
USPC D14/440, 250, 447; 206/45.23, 320,
206/45.2; 361/679.55; 294/25; 224/218
CPC ... G06F 1/1628; G06F 1/1626; A47B 23/044;
H04B 1/3888

See application file for complete search history.

(56) **References Cited**

U.S. PATENT DOCUMENTS

D577,904 S	10/2008	Sasaki
D633,089 S	2/2011	Hsu
D670,279 S	11/2012	Veltz et al.
D675,604 S	2/2013	Limber
D683,338 S	5/2013	Wilson et al.
D684,150 S	6/2013	Goradesky et al.
D685,361 S	7/2013	Goradesky et al.
D685,779 S	7/2013	Schriefer
D689,851 S	9/2013	Chang
D694,742 S	12/2013	Pan
D696,234 S	12/2013	Wright
D697,060 S	1/2014	Yang
D697,504 S	1/2014	Yang
D703,649 S	4/2014	Wikel et al.
D706,754 S	6/2014	Goradesky

D709,057 S	7/2014	Wilson et al.
D709,063 S	7/2014	Chang
D709,064 S	7/2014	Chang
D709,485 S	7/2014	Bishop
D716,294 S	10/2014	Park
D724,093 S	3/2015	Dong
D727,918 S *	4/2015	Soare D14/440
D728,549 S	5/2015	Su
D733,154 S	6/2015	Armstrong

(Continued)

OTHER PUBLICATIONS

“Amazon FreeTime Kid-Proof Case for Amazon Fire (Previous Generation—5th), Pink”, <https://www.amazon.com/Amazon-FreeTime-Kid-Proof-Previous-Generation/dp/B011VXQ2IS>, Earliest review date of Oct. 1, 2015, Downloaded on Apr. 26, 2019.

(Continued)

Primary Examiner — Cynthia R Underwood
(74) *Attorney, Agent, or Firm* — Heedong Chae; Lucem, PC

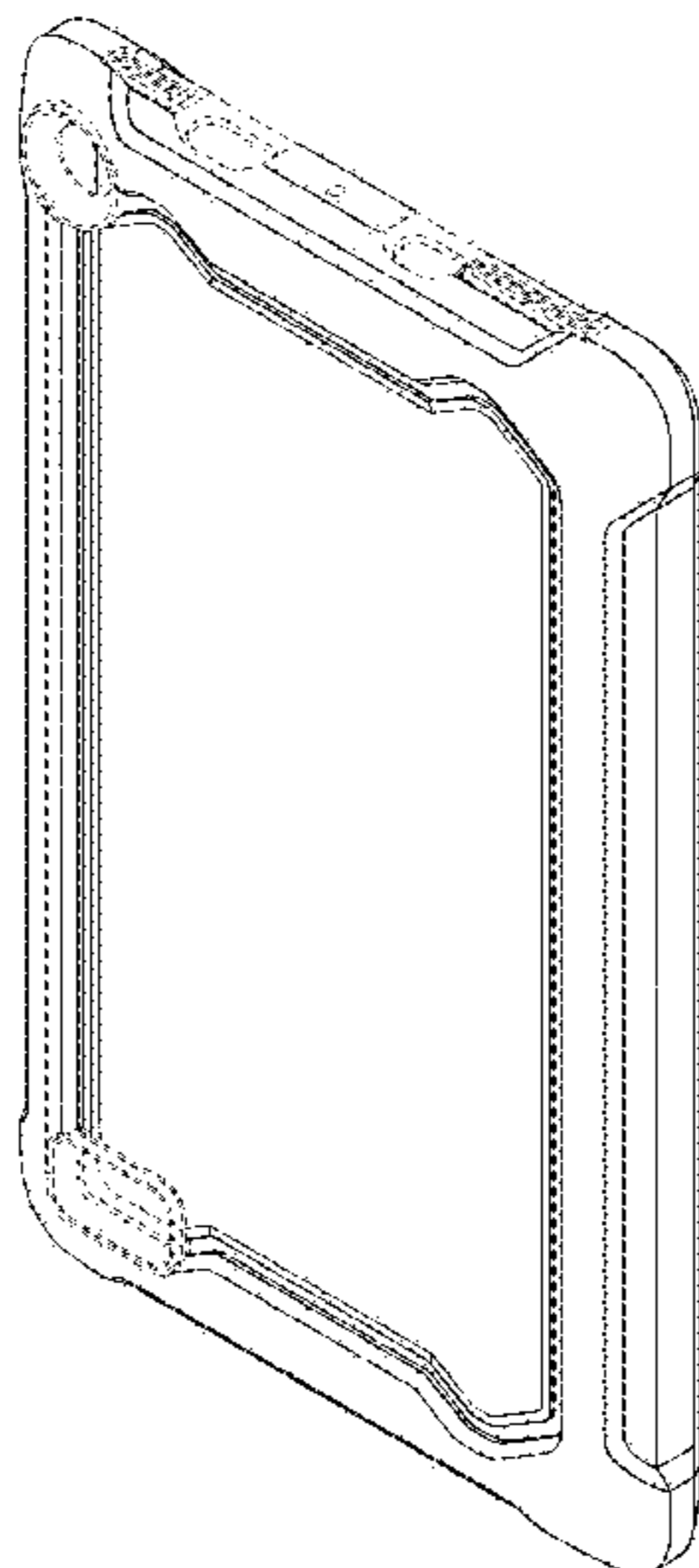
(57) **CLAIM**

The ornamental design of a case for an electronic device, as shown and described.

DESCRIPTION

FIG. 1 is a front perspective view of a case for an electronic device showing my new design;
FIG. 2 is a rear perspective view thereof;
FIG. 3 is a front elevational view thereof;
FIG. 4 is a rear elevational view thereof;
FIG. 5 is a left side elevational view thereof;
FIG. 6 is a right side elevational view thereof;
FIG. 7 is a top plan view thereof; and,
FIG. 8 is a bottom plan view thereof.
The broken line showing of environment is for illustrative purposes only and forms no part of the claimed design.

1 Claim, 8 Drawing Sheets



(56)

References Cited

OTHER PUBLICATIONS

U.S. PATENT DOCUMENTS

D745,524 S 12/2015 Hung
 D746,801 S 1/2016 Pan
 D750,610 S 3/2016 Chen
 D755,772 S 5/2016 Sasaki et al.
 D761,263 S * 7/2016 Brinkman D14/440
 D762,203 S * 7/2016 Chin D14/250
 D762,631 S 8/2016 Kim
 D762,633 S 8/2016 Fife
 D763,854 S 8/2016 Domke
 D767,551 S 9/2016 Sasaki et al.
 D767,552 S 9/2016 Sasaki et al.
 D769,855 S 10/2016 Deng
 D772,211 S 11/2016 Poon et al.
 D775,100 S 12/2016 Teruyama
 D775,617 S 1/2017 Samson
 D776,104 S 1/2017 Tien
 D776,105 S 1/2017 Han
 D777,727 S 1/2017 Maicon
 D779,471 S 2/2017 Tien
 D780,167 S 2/2017 Tien
 D780,741 S 3/2017 Yin
 D783,588 S 4/2017 Chang
 D785,612 S 5/2017 Kim
 D786,225 S 5/2017 Kim
 D786,226 S 5/2017 Kim
 D792,886 S * 7/2017 Schwibner D14/440
 D793,383 S 8/2017 Cai
 D794,006 S 8/2017 Dong
 D794,625 S 8/2017 Armstrong et al.
 D794,626 S 8/2017 Armstrong et al.
 D798,287 S 9/2017 Wright et al.
 D800,103 S 10/2017 Andre et al.
 D800,712 S 10/2017 Lai et al.
 D801,976 S 11/2017 Li
 D802,576 S 11/2017 Ahn
 D802,577 S 11/2017 Ahn
 D806,082 S 12/2017 Armstrong et al.
 D806,692 S 1/2018 Jia
 D808,374 S 1/2018 Lee et al.
 D808,378 S 1/2018 Witter et al.
 D809,498 S 2/2018 Ahn
 D811,379 S 2/2018 Armstrong et al.
 D812,600 S 3/2018 Altaras
 D816,075 S 4/2018 Cavenagh et al.
 D817,334 S * 5/2018 Fenton D14/440
 D826,931 S * 8/2018 Chang D14/341
 D829,721 S * 10/2018 Zhang D14/440
 D841,011 S * 2/2019 Mecchella D14/440
 D848,441 S * 5/2019 Ferren D14/440
 2012/0325720 A1 12/2012 Tages
 2013/0271897 A1 10/2013 Limber
 2015/0068934 A1 * 3/2015 Armstrong A45C 11/00
 2016/0021996 A1 1/2016 Tien
 2016/0219999 A1 8/2016 Chang

“Poetic TurtleSkin Fire 7 2015 Rugged Case Cover with Heavy Duty Protection Silicone and Sound-Amplification Feature for Amazon Fire 7 5th Gen (Previous Generation—5th) 2015 Release Black”, <https://www.amazon.com/Poetic-TurtleSkin-Protection-Sound-Amplification-Generation/dp/B0160KTTD2>, Earliest review date of Nov. 18, 2015, Downloaded on Apr. 26, 2019.
 “Fintie iPad 9.7 2018 2017/iPad Air 2/iPad Air Case—[Honey Comb Series] Light Weight Anti Slip Kids Friendly Shock Proof Silicone Protective Cover for iPad 6th/5th Gen, iPad Air 1 2, Black”, <https://www.amazon.com/Fintie-iPad-2018-2017-Case/dp/B06Y665PL6>, Earliest review date of May 6, 2017, Downloaded on Apr. 29, 2019.
 “Bear Motion Case for All-New Fire 7 Tablet with Alexa—Anti Slip Shockproof Light Weight Kids Friendly Protective Case for Amazon Kindle Fire 7 2017 (ONLY for 7th Generation 2017 Model) (Red)”, <https://www.amazon.com/Bear-Motion-All-New-Tablet-Alexa/dp/B071L7WS87>, Earliest review date of Jun. 9, 2017, Downloaded on Apr. 26, 2019
 “Amazon Kid-Proof Case for Amazon Fire HD 8 Tablet (Compatible with 7th and 8th Generation Tablets, 2017-2018 Releases), Yellow”, <https://www.amazon.com/Amazon-Kid-Proof-Compatible-Generation-2017-2018/dp/B07CG7HJ5F>, Earliest review date of Jun. 12, 2017, Downloaded on Apr. 25, 2019.
 “MoKo Case for All-New Amazon Fire 7 Tablet (7th Generation, 2017 Release Only)—[Honey Comb Series] Light Weight Shock Proof Soft Silicone Back Cover [Kids Friendly] for Fire 7, Blue”, <https://www.amazon.com/MoKo-All-New-Amazon-Generation-Release/dp/B0711TTWYD>, Earliest review date of Jun. 14, 2017, Downloaded on Apr. 25, 2019.
 “Fintie Silicone Case for all-new Amazon Fire 7 Tablet (7th Generation, 2017 Release)—[Honey Comb Upgraded Version] [Kids Friendly] Light Weight [Anti Slip] Shock Proof Protective Cover, Blue”, <https://www.amazon.com/Fintie-Silicone-all-new-Generation-Release/dp/B0725SDWHR>, Earliest review date of Jun. 15, 2017, Downloaded on Apr. 25, 2019.
 “Fire 7 2017 Case Cover-TIRIN Light Weight Shock Proof, Skid Proof Soft Silicone Back Cover Case for Fire 7 2017 (Do not Fit Fire 7 2015), Purple”, <https://www.amazon.com/Cover-TIRIN-Light-Weight-Silicone-Purple/dp/B07CVCLZJK>, Earliest review date of Jun. 5, 2018, Downloaded on Apr. 26, 2019.
 “AWAWO Silicone Case for Amazon Fire 7 Tablet with Alexa (7th Generation, 2017 Release only)—Anti Slip Shockproof Light Weight Protective Cover, Purple”, <https://www.amazon.com/AWAWO-Silicone-Amazon-Generation-Release/dp/B07CHNBT2Y>, Earliest review date of Jun. 8, 2018, Downloaded on Apr. 26, 2019.
 “BMOUO Silicone Case for All-New Amazon Fire 7 Tablet (7th Generation, 2017 Release)—[Upgraded Comb Version] [Kids Friendly] Light Weight [Anti Slip] Shock Proof Protective Cover, Purple”, <https://www.amazon.com/BMOUO-Silicone-All-New-Generation-Release/dp/B07BXC2R2FN>, Earliest review date of Jun. 23, 2018, Downloaded on Apr. 26, 2019.

* cited by examiner

FIG. 1

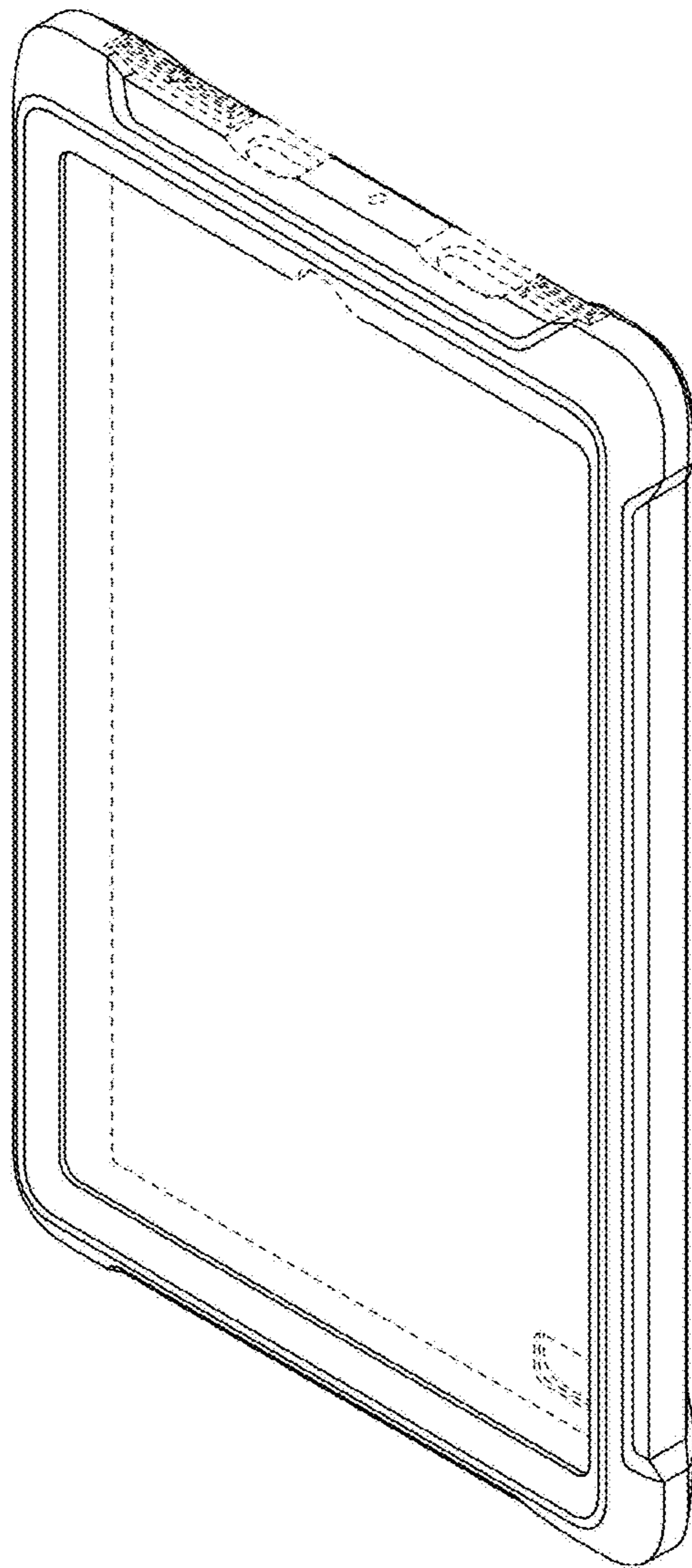


FIG. 2

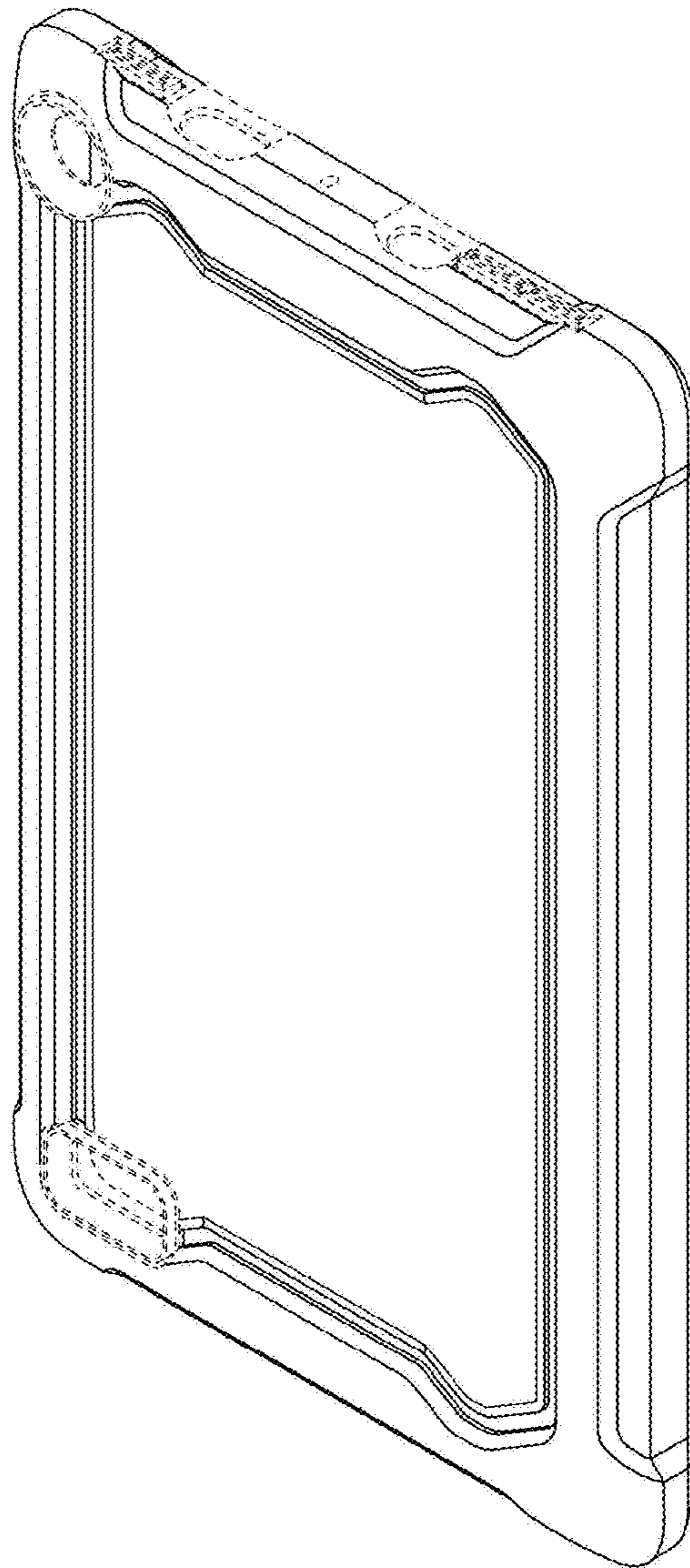


FIG. 3

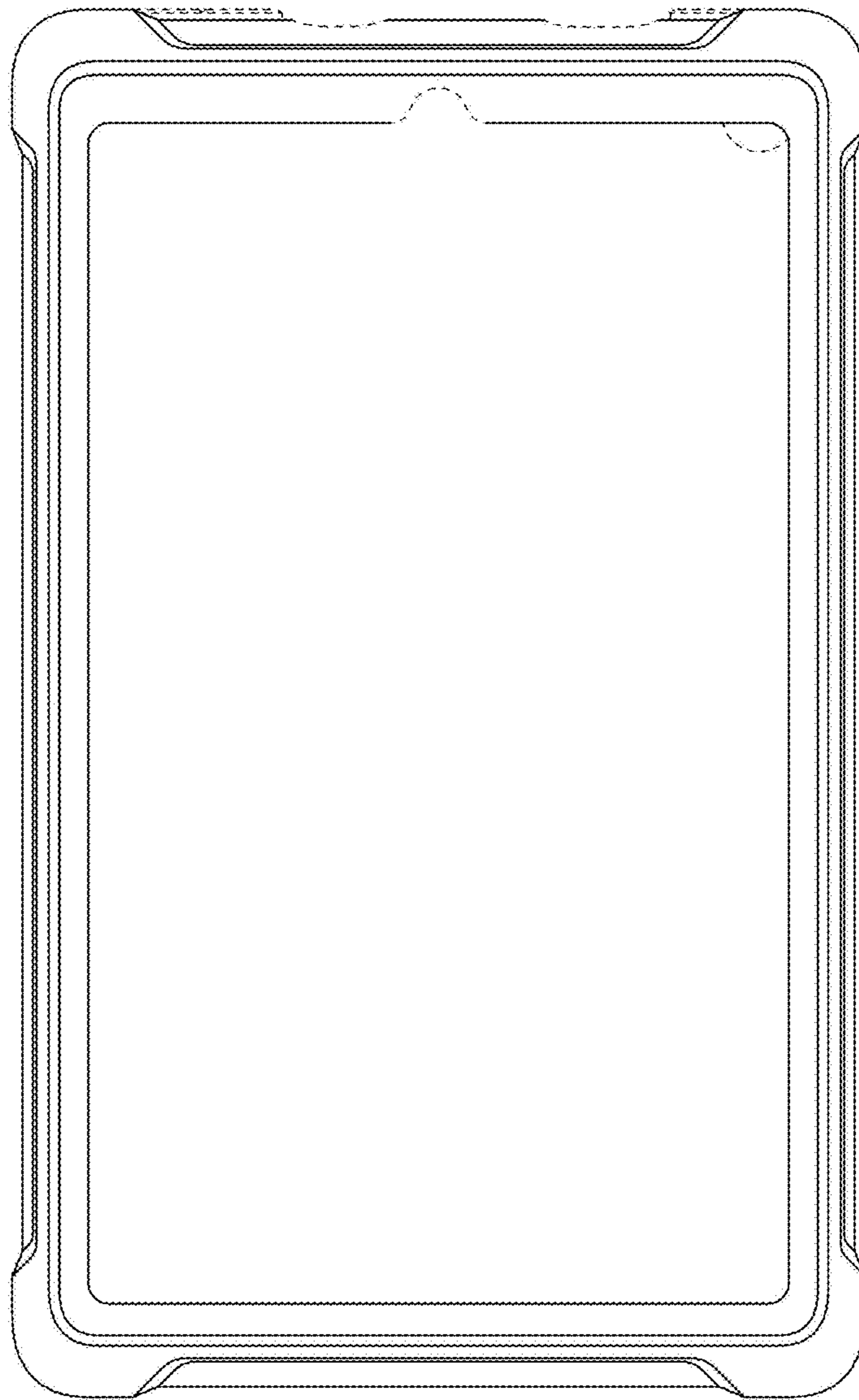


FIG. 4

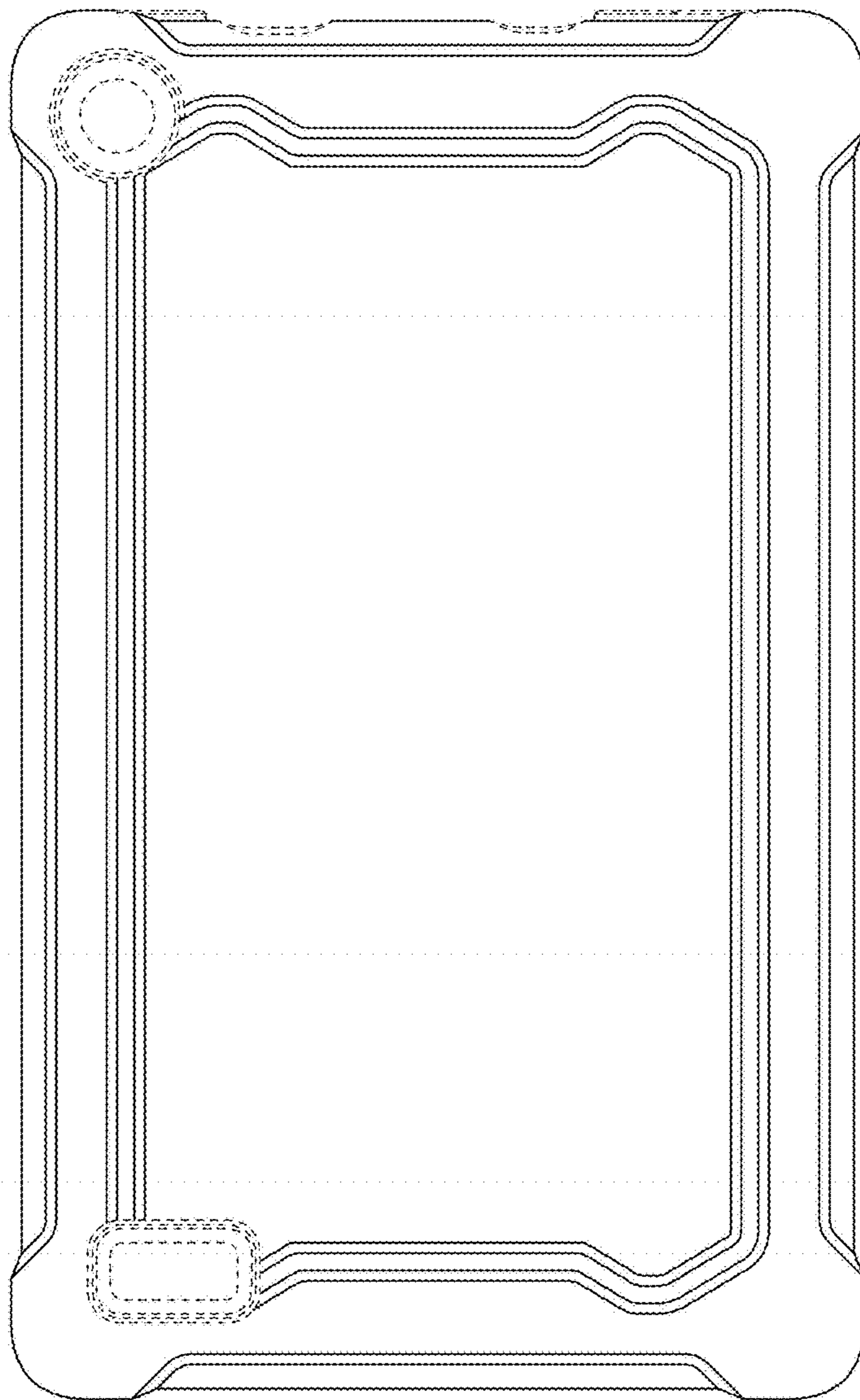


FIG. 5

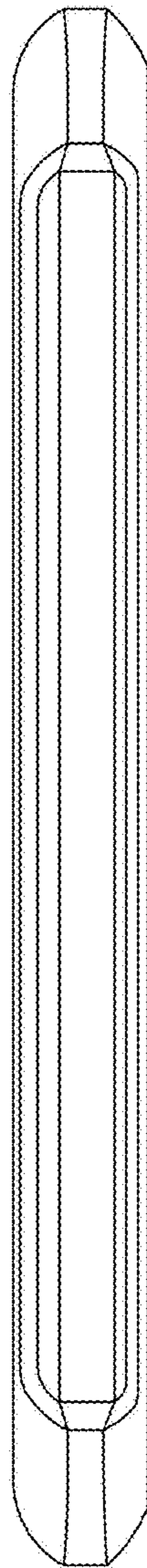


FIG. 6

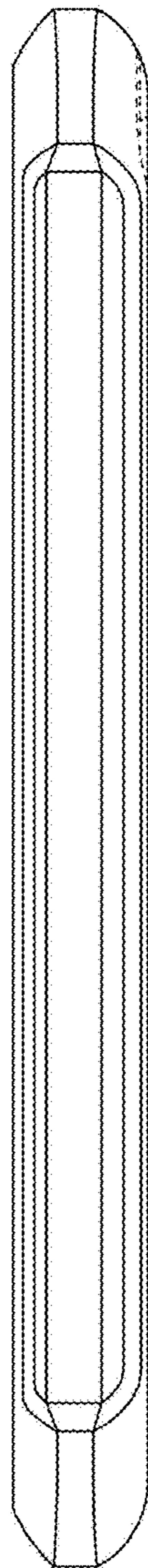


FIG. 7

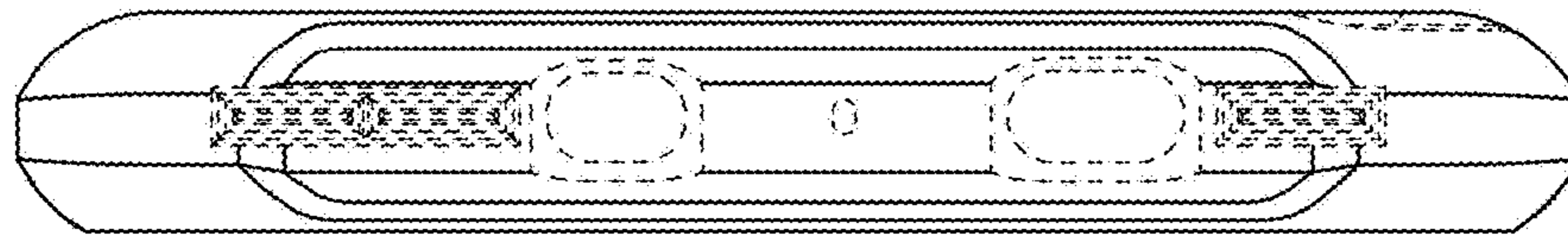


FIG. 8

