



US00D862475S

(12) **United States Design Patent** (10) **Patent No.:** **US D862,475 S**
Lim et al. (45) **Date of Patent:** **** Oct. 8, 2019**

(54) **SSD STORAGE DEVICE**

(71) Applicant: **SAMSUNG ELECTRONICS CO., LTD.**, Suwon-si (KR)

(72) Inventors: **G. M Lim**, Seoul (KR); **Eun-jin Yun**, Seoul (KR)

(73) Assignee: **SAMSUNG ELECTRONICS CO., LTD.**, Suwon-si (KR)

(**) Term: **15 Years**

(21) Appl. No.: **29/614,258**

(22) Filed: **Aug. 17, 2017**

(30) **Foreign Application Priority Data**

Feb. 17, 2017 (KR) 30-2017-0007658

(51) **LOC (12) Cl.** **14-02**

(52) **U.S. Cl.**
USPC **D14/436; D14/435**

(58) **Field of Classification Search**
USPC 439/946, 948, 159, 77; 174/250, 260, 174/52.1, 52.2, 16.1, 16.3; 710/300–303; 438/121; 376/191; 165/185, 80.2; 711/104, 164; 365/191, 51, 200, 201, 365/230.1, 230.03, 233.11, 212.63; 714/733, 744, 763, 718, 723, 766, 6.13, 714/773; 360/69, 97.02, 53; 361/679.33–679.45, 737, 752, 736, 728, 361/796, 797, 729, 730, 725–727, 749, 361/760, 784, 789, 771, 792, 764, 765, 361/704, 715, 710, 711, 719, 767, 785, 361/803; 400/412, 713–715; 428/137–138, 140, 304.4, 457; 442/9; D3/273; D6/201, 204, 429–431, 449, D6/474, 509–510; D9/432; D10/65, 75, D10/78; D13/103, 119, 162, 184, 199, D13/182; D14/110, 114, 125, 240, 242,
(Continued)

(56) **References Cited**

U.S. PATENT DOCUMENTS

D637,192 S 5/2011 Andre et al.
D637,193 S 5/2011 Andre et al.
(Continued)

FOREIGN PATENT DOCUMENTS

CN 303719066 S 6/2016
JP 1426165 S 10/2011
(Continued)

OTHER PUBLICATIONS

Communication dated Nov. 3, 2017, from the Intellectual Property Office of Taiwan in counterpart application No. 106304662.
(Continued)

Primary Examiner — Susan Moon Lee

(74) *Attorney, Agent, or Firm* — Sughrue Mion, PLLC

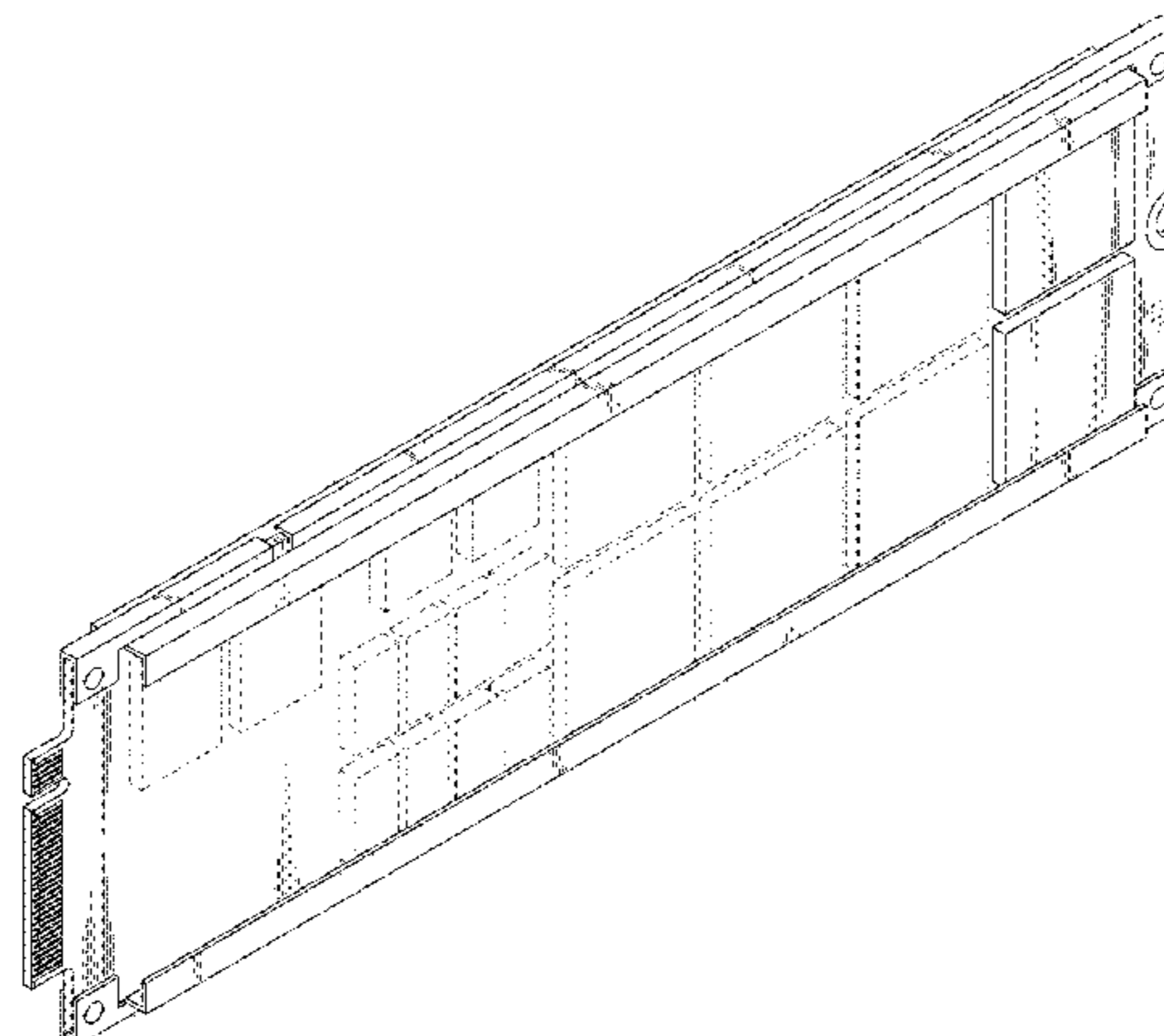
(57) **CLAIM**

The ornamental design for an SSD storage device, as shown and described.

DESCRIPTION

FIG. 1 is a perspective view of an SSD storage device showing our new design.
FIG. 2 is a front elevation view thereof.
FIG. 3 is a rear elevation view thereof.
FIG. 4 is a left side elevation view thereof.
FIG. 5 is a right side elevation view thereof.
FIG. 6 is a top plan view thereof; and,
FIG. 7 is a bottom plan view thereof.
The broken lines depict unclaimed features of the SSD storage device that form no part of the design claim but are shown for purposes of illustration.

1 Claim, 4 Drawing Sheets



(58) **Field of Classification Search**

USPC D14/299-302, 314, 348-370, 435-438, D14/496, 478-480; D18/1, 7, 9, 11; 235/441, 443, 487, 492, 493, 495, 380; 257/678, 679, 693, E23.064, 734, 713, 257/718, 719, E25.023, E21.705, 257/E23.098, E23.177

CPC G06K 19/06196; G06K 19/072; G06K 19/0721; G06K 19/0722; G06K 19/0723; G06K 19/0724; G06K 19/0725; G06K 19/0726; G06K 19/0727; G06K 19/0728; G06K 19/073; G06K 19/07309; G06K 19/077; G06K 19/07701; G06K 19/07715; G06K 19/0772; G06K 19/07724; G06K 19/07726; G06K 19/07728; G06F 21/86; G06F 21/87; G06F 21/77-80; G06F 21/85-88; G06F 21/00; G06F 3/0604; G06F 3/0688; G06F 3/0653; G06F 3/0659; G06F 11/1076; G06F 11/1008; G06F 11/1044; G06F 12/1416; G06F 12/1425; G06F 12/1433; G06F 13/00; G06Q 20/3229; G06Q 20/34; G06Q 20/341; G06Q 20/346; G06Q 20/349; G06Q 20/3563; G06Q 20/3567; G06Q 20/357; G06Q 20/3576; H05K 7/04; H05K 7/10; H05K 7/1418; H05K 7/142; H05K 7/1424; H05K 7/1427-1439; H05K 7/1461; H05K 7/1464-1474; H05K 7/1479; H05K 7/1481; H05K 7/1485-1488; H05K 2201/09745; H05K 2201/09754; H05K 2201/09763; H05K 2201/09772; H05K 2201/098; H05K 2201/09818; H05K 2201/10; H05K 2201/10007; H05K 1/189; H05K 1/0203; H05K 1/118; H05K 1/181; H05K 3/00; H05K 3/0061; H05K 999/00; H05K 2201/056; H05K 2201/1056; H05K 2201/10734; H05K 2201/2018; H05K 2203/1572; H05K 5/026; H05K 5/0256; H05K 5/0265; H05K 5/0269; H05K 5/0273; H05K 5/0278; H05K 5/0282; H05K 5/0286; H05K 5/0291; H05K 5/0295; H05K 5/03; H05K 5/04; H05K 5/06; H05K 5/061; H05K 5/062; H05K 5/063; H05K 5/064; H05K 5/065; H05K 5/066; H05K 5/067; H05K 5/068; H05K 5/069; H05K 7/00; H05K 7/005; H05K 7/02; H05K 7/023; H05K 7/026; H04N 2201/216; G11C 16/0483; G11C 16/225; G11C 16/10; G11C 7/04; G11C 7/22; G11C 5/04; G11C 5/00; G11C 5/143; G11C 29/12; G11C 29/26; G11C 29/16; G11C 2029/0401; H01L 23/3672; H01L 23/4093; H01L 2924/0002; H01L 2924/00; H01L 25/0652; H01L 25/105

See application file for complete search history.

(56)

References Cited

U.S. PATENT DOCUMENTS

D652,041 S	1/2012	Andre et al.	
D686,215 S	7/2013	Andre et al.	
D753,073 S	4/2016	Sponring	
D794,035 S *	8/2017	Hung	D14/435
D798,251 S *	9/2017	Li	D13/182
D824,910 S *	8/2018	Lim	D14/436
D826,944 S *	8/2018	Lim	D14/436
D826,945 S *	8/2018	Lim	D14/436
D826,946 S *	8/2018	Lim	D14/436
D828,357 S *	9/2018	Lim	D14/436
D828,358 S *	9/2018	Lim	D14/436
D834,025 S *	11/2018	Lim	D14/436

FOREIGN PATENT DOCUMENTS

JP	1426166 S	10/2011
JP	1426167 S	10/2011
JP	1436225 S	3/2012
JP	D1479370 S	9/2013
JP	D1520122 S	3/2015
JP	D1528484 S	7/2015
JP	1600323 S	3/2018
KR	30-0645777 S	6/2012
KR	30-0680971 S	2/2013
KR	300680966 S	2/2013

OTHER PUBLICATIONS

Non-Patent Prior Art List., 2 pgs total.

Anonymous, "Memory Module", Dec. 6, 2010, Toshiba Corporation, Document No. HJ 2205788200, Japan, 2 pages total, http://www.toshiba.co.jp/about/press/2010_11/pr_j0801.htm.

Anonymous, "Circuit Board", Aug. 25, 2008, ASUSTeK Computer Co., Ltd., Document No. HJ 20022371600, Japan, 2 pages total, <http://buffalo.jp/products/new/2008/000775.html>.

Anonymous, "Solid State Drive", Aug. 24, 2009, CompUSA, Inc., Document No. HJ 2102377300, United States, 2 pages total, <http://www.compUSA.com/applications/SearchTools/item-details.asp?EdpNo=4826541&CatId+4381>.

Anonymous, "Solid State", Aug. 24, 2009, CompUSA, Inc., Document No. HJ 2102377500, United States, 2 pages total, <http://www.compUSA.com/include/AddCartfromGallery.asp?EdpNo=4633037&csid=ITD&Sku=0261-6174&imgcart=1>.

Anonymous, "Solid State Drive", Oct. 5, 2009, CompUSA, Inc., Document No. HJ 2103027200, United States, 2 pages total, <http://www.compUSA.com/include/AddCartfromGallery.asp?EdpNo=4633036&csid=ITD&Sku=0261-6172&imgcart=1>.

Anonymous, "Circuit Board", Jul. 19, 2010, CompUSA, Inc., Document No. HJ 2202637200, United States, 2 pages total, <http://www.compUSA.com/include/AddCartfromGallery.asp?EdpNo=4633036&csid=ITD&Sku=0261-6172&imgcart=1>.

Anonymous, "Circuit Board", Apr. 27, 2009, Buffalo Corporation, Document No. HJ 2100077100, Japan, 2 pages total, http://buffalo.jp/download/photo/s/shd-es9m_m1.jpg.

Anonymous, "Memo Flash Storage", Nov. 26, 2014, Legal Science Forge & Minute Co., Ltd., Document No. HD 2600388900, People's Republic of China, 2 pages total.

Communication dated May 8, 2018, issued by the Japanese Patent Office in counterpart Japanese Patent Application No. 2017-017648.

* cited by examiner

FIG. 1

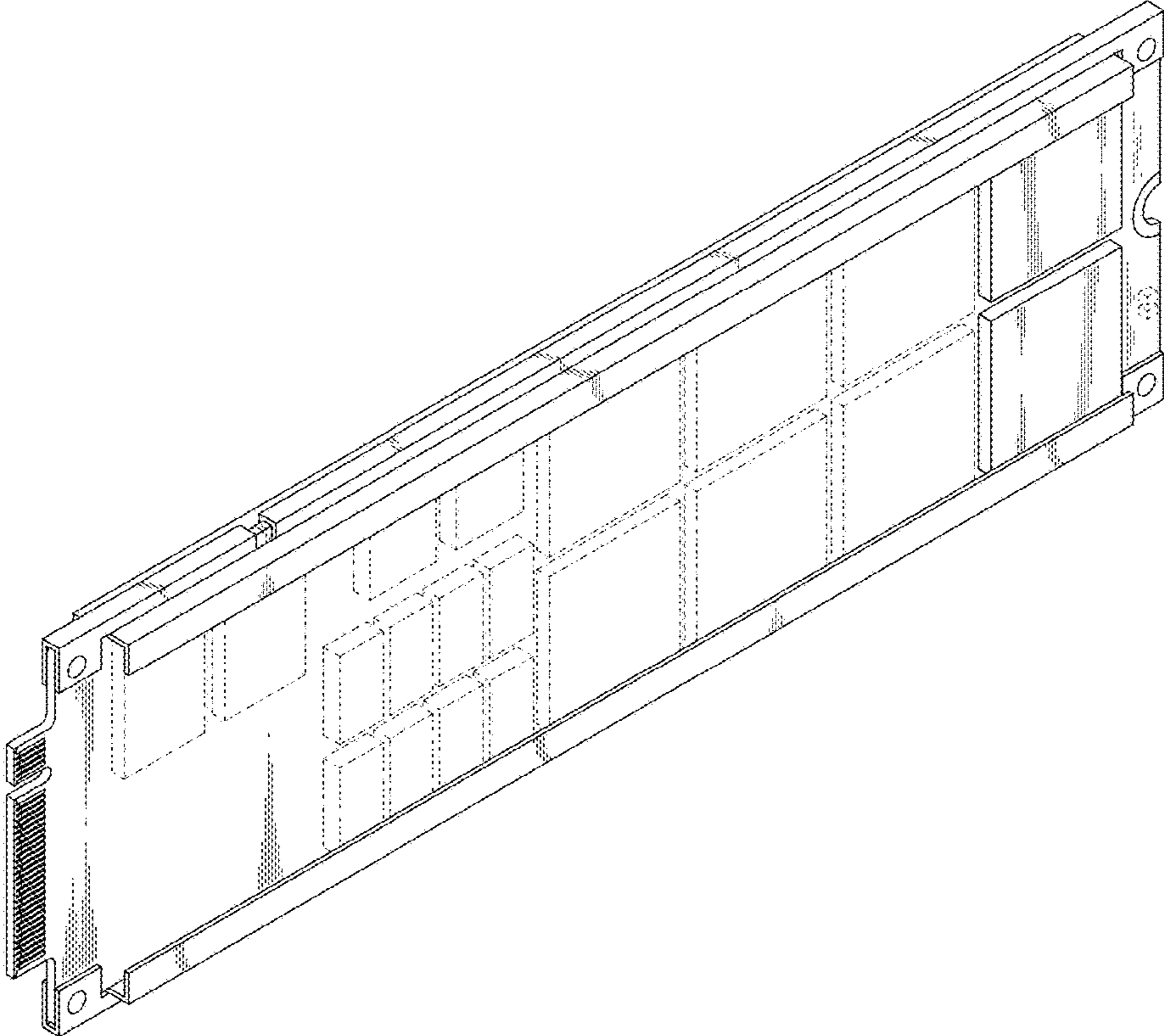


FIG. 2

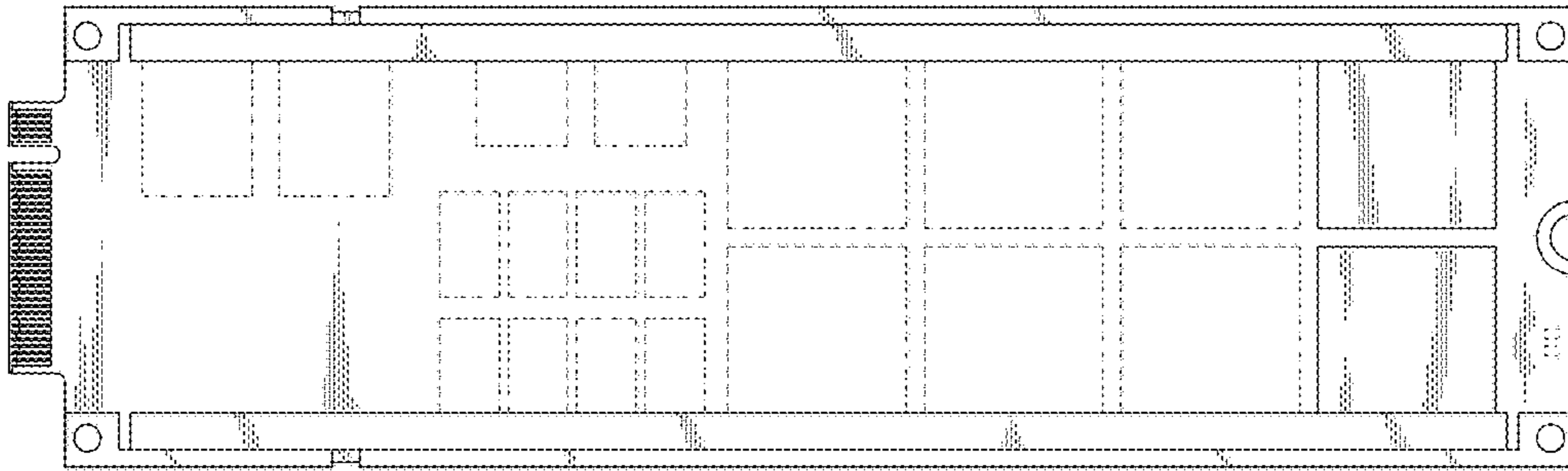


FIG. 3

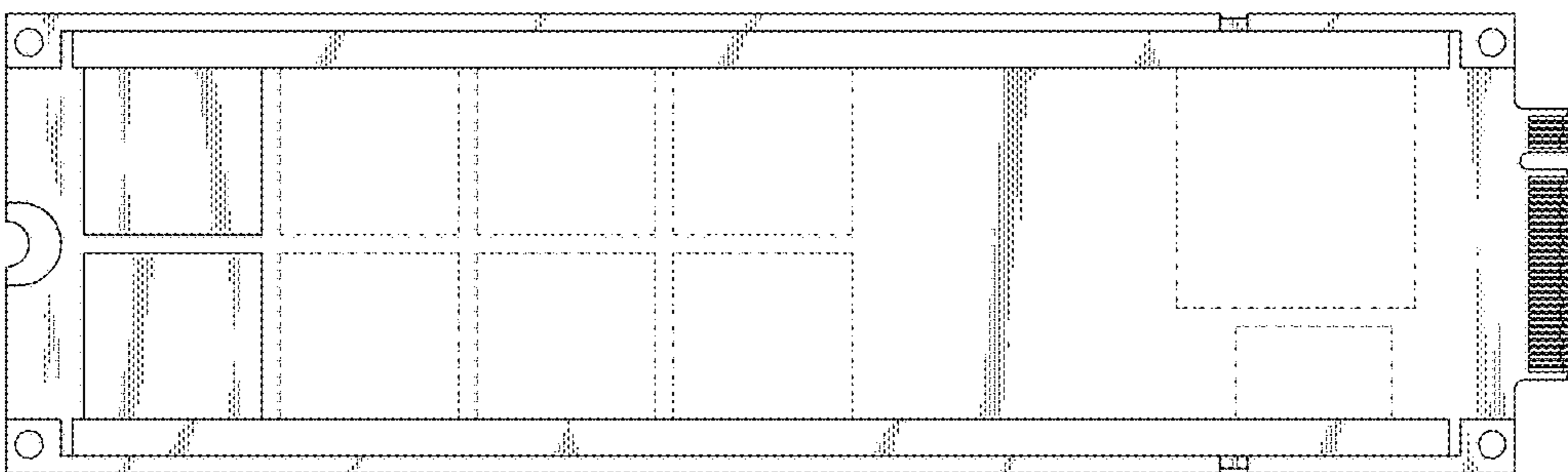


FIG. 4

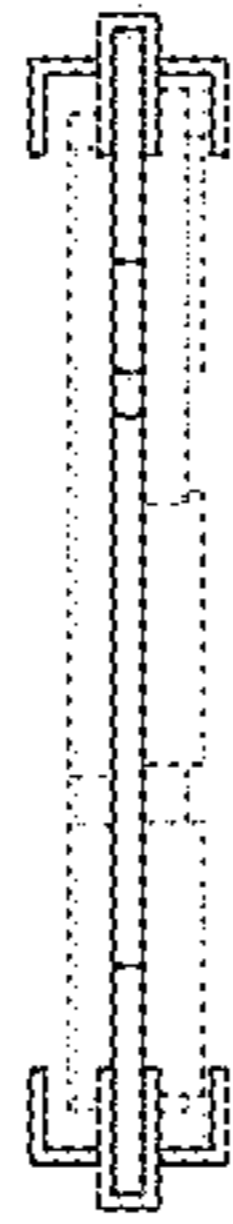


FIG. 5

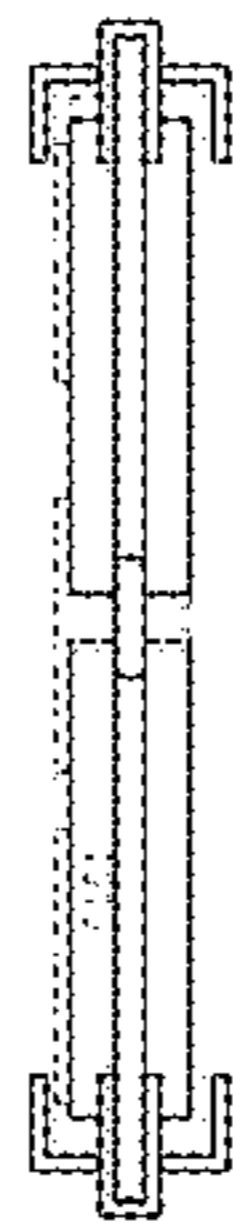


FIG. 6

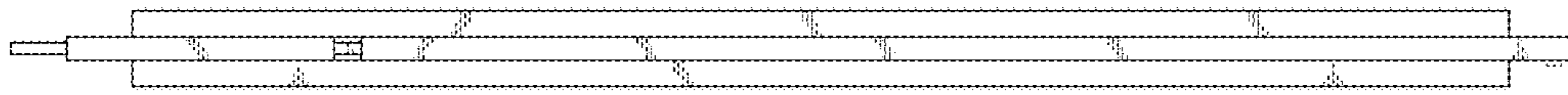


FIG. 7

