



US00D862472S

(12) **United States Design Patent**
Huebner

(10) **Patent No.:** **US D862,472 S**

(45) **Date of Patent:** **** Oct. 8, 2019**

(54) **PEN HOLDER FOR PORTABLE ELECTRONIC DEVICE**

(71) Applicant: **Wacom Co., Ltd.**, Kazo-shi, Saitama (JP)

(72) Inventor: **Volker Huebner**, Erkrath (DE)

(73) Assignee: **Wacom Co., Ltd.**, Kazo-shi (JP)

(**) Term: **15 Years**

(21) Appl. No.: **29/598,742**

(22) Filed: **Mar. 28, 2017**

(30) **Foreign Application Priority Data**

Sep. 30, 2016 (JP) 2016-021251

(51) **LOC (12) Cl.** **14-02**

(52) **U.S. Cl.**
USPC **D14/432**

(58) **Field of Classification Search**
USPC D8/61; D14/411; D19/35, 36, 41-51, D19/54-58; 401/55, 99, 100, 104-107, 401/196, 197, 202, 208, 209, 213, 192, 401/195, 243; 708/107; 345/179, 173; 178/19.01; 700/94

See application file for complete search history.

(56) **References Cited**

U.S. PATENT DOCUMENTS

D681,440 S *	5/2013	Yu	D8/396
D700,909 S *	3/2014	Bowser	D14/411
D710,363 S *	8/2014	Wengreen	D14/432
D723,036 S *	2/2015	Longo	D14/411
D732,009 S *	6/2015	Bak	D14/229
D739,223 S *	9/2015	Paik	D8/396
D798,136 S *	9/2017	Pittman	D8/382
D801,160 S *	10/2017	Westcott	D8/367
D808,255 S *	1/2018	Pittman	D8/396

D811,409 S *	2/2018	Zhong	D14/432
D816,473 S *	5/2018	Blyahman	D8/395
D817,157 S *	5/2018	Mehr	D8/367
D817,158 S *	5/2018	Scimone	D8/367
D821,397 S *	6/2018	Crnkovich	D14/385
D824,247 S *	7/2018	Minai	D8/396
D834,703 S *	11/2018	Babbage	D24/110
D836,428 S *	12/2018	Pittman	D8/382
D837,039 S *	1/2019	Angus	D8/356

* cited by examiner

Primary Examiner — Austin Murphy

(74) *Attorney, Agent, or Firm* — Christensen O'Connor Johnson Kindness PLLC

(57) **CLAIM**

The ornamental design for a pen holder for portable electronic device, as shown and described.

DESCRIPTION

FIG. 1 is a front top perspective view of a pen holder for portable electronic device according to a first representative embodiment of my new design;

FIG. 2 is a rear bottom perspective view of the pen holder for portable electronic device shown in FIG. 1;

FIG. 3 is a front view of the pen holder for portable electronic device shown in FIG. 1, wherein the rear view is a mirror image of FIG. 3;

FIG. 4 is a left side view of the pen holder for portable electronic device shown in FIG. 1;

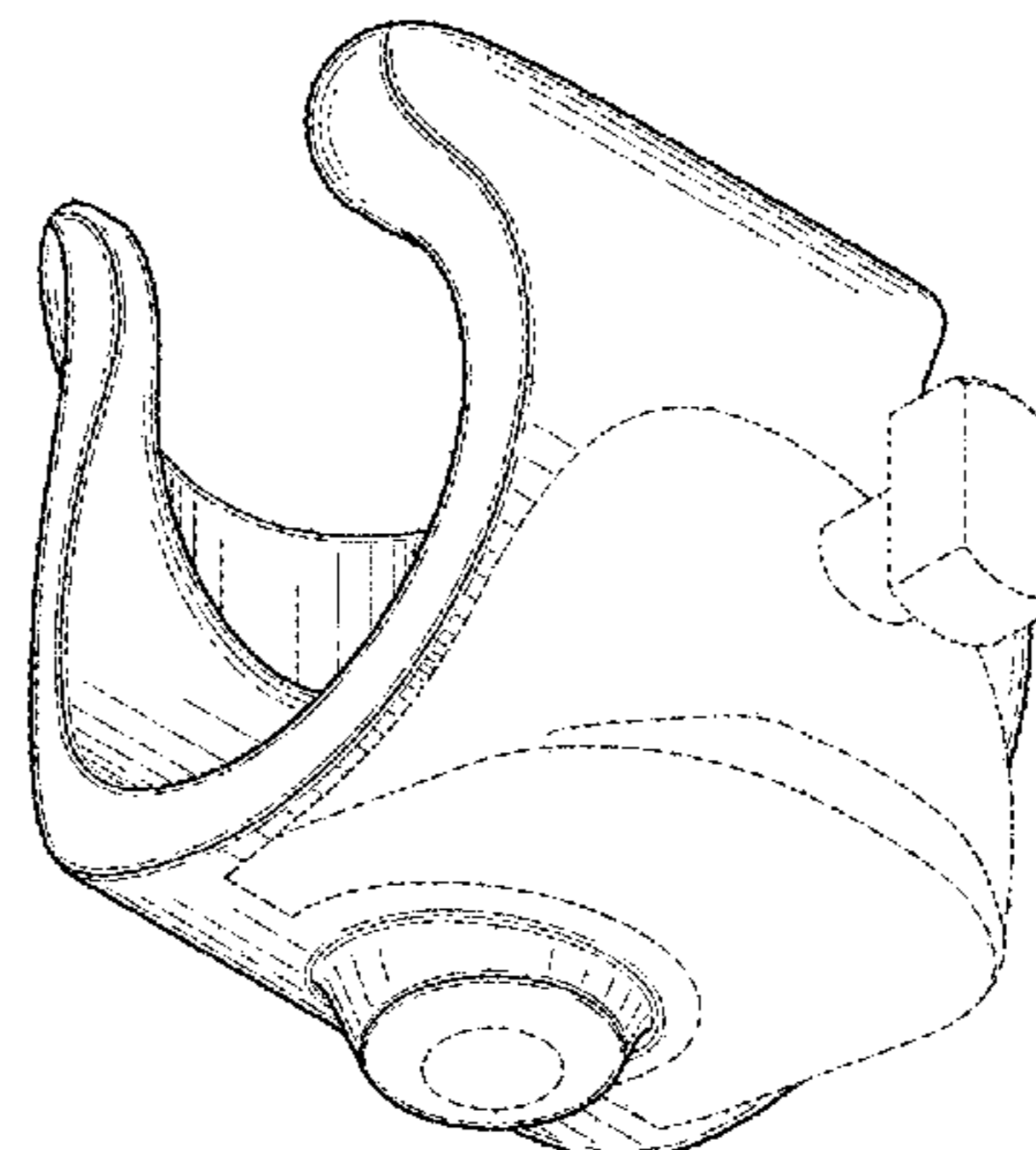
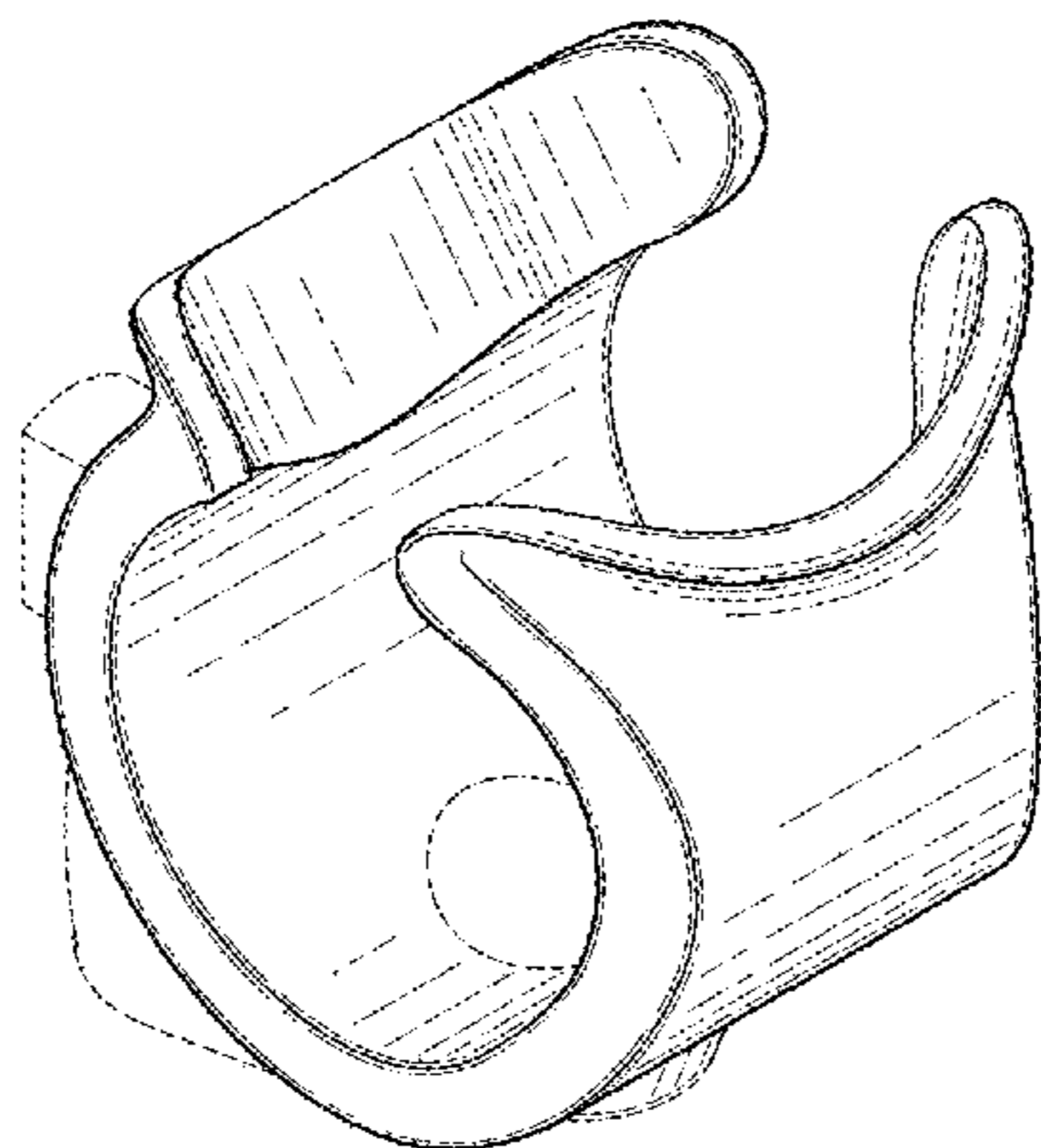
FIG. 5 is a right side view of the pen holder for portable electronic device shown in FIG. 1;

FIG. 6 is a top view of the pen holder for portable electronic device shown in FIG. 1; and,

FIG. 7 is a bottom view of the pen holder for portable electronic device shown in FIG. 1.

The broken lines in the drawings show portions of the pen holder for portable electronic device that form no part of the claimed design.

1 Claim, 3 Drawing Sheets



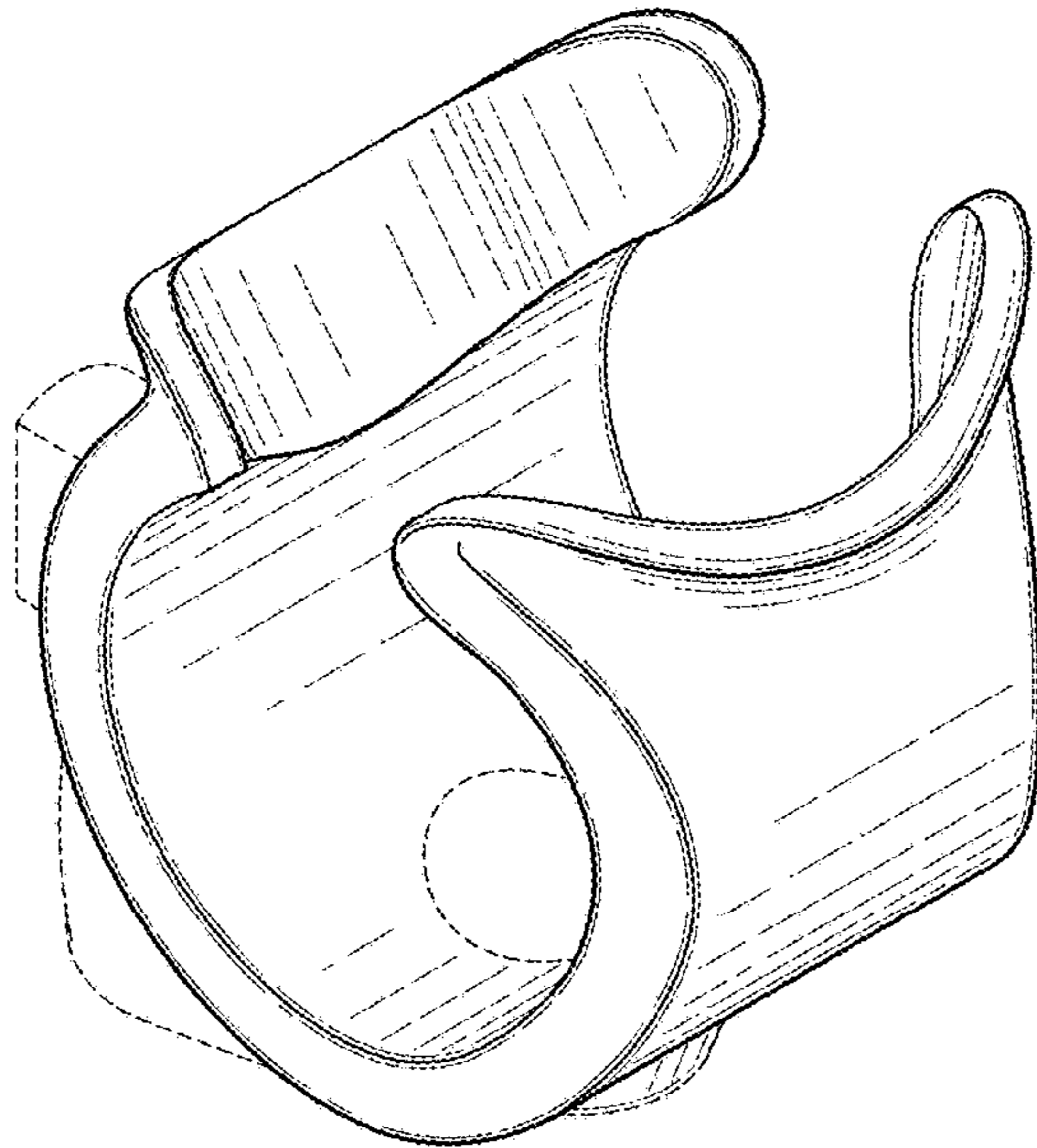


Fig. 1.

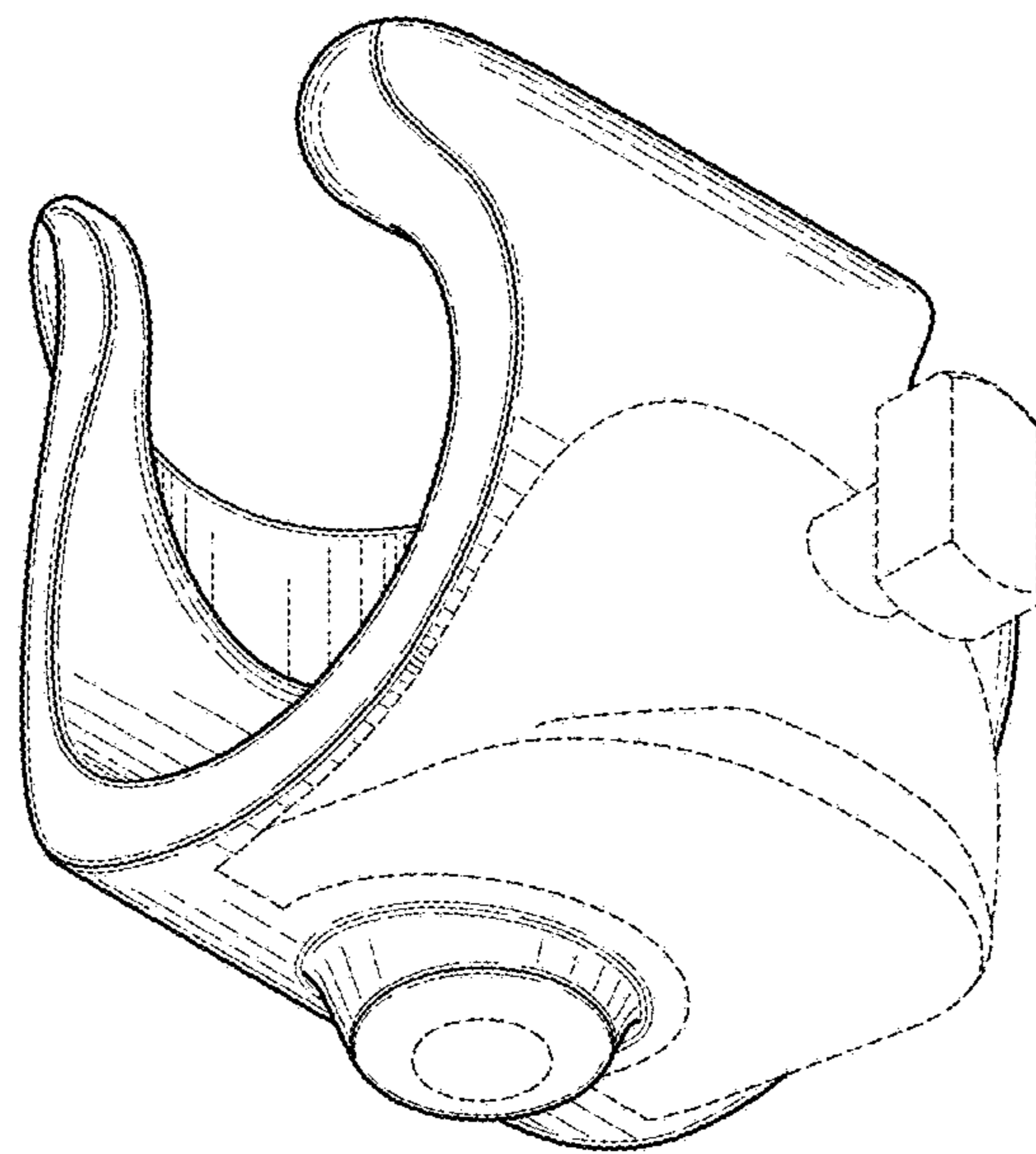


Fig. 2.

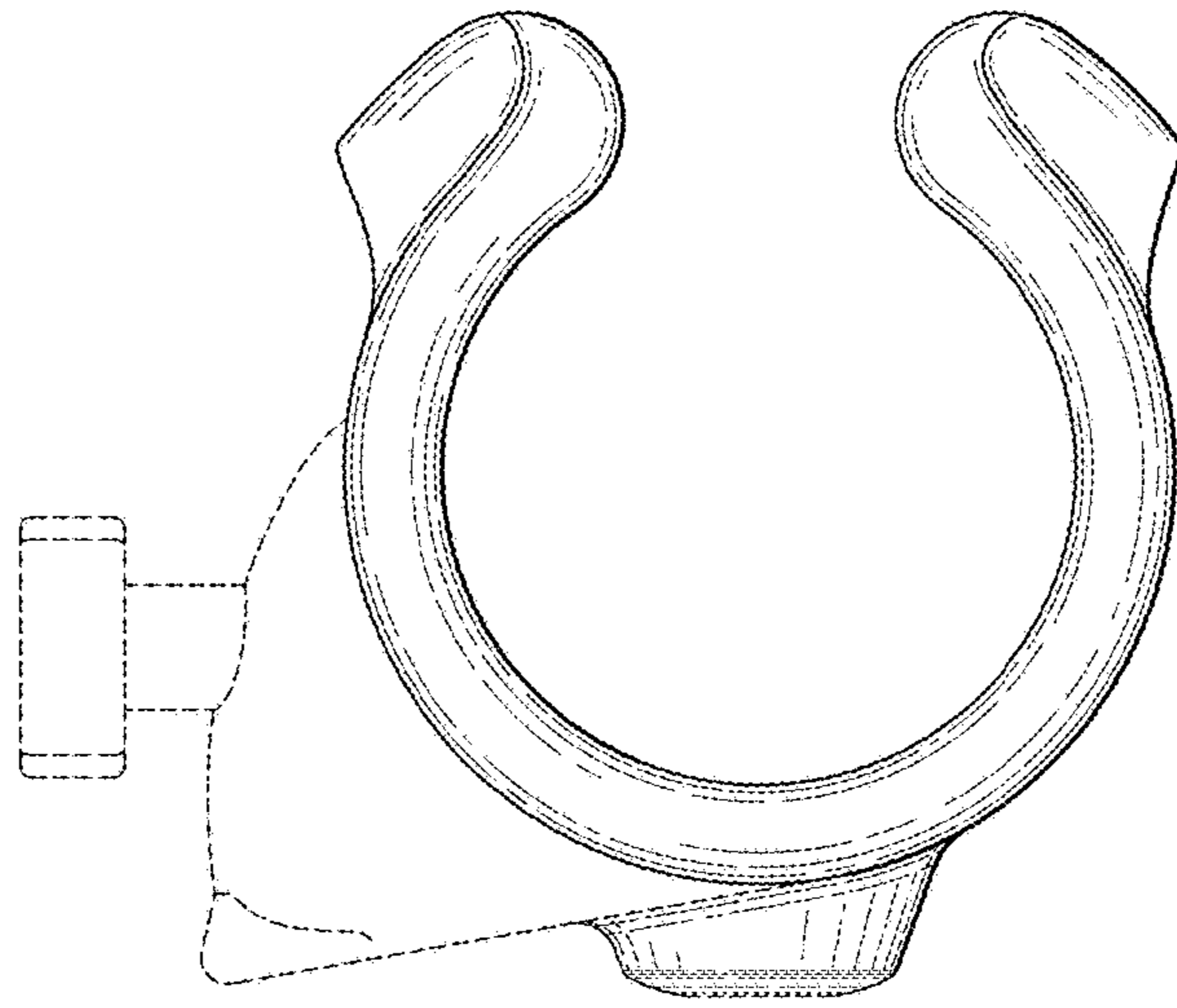


Fig. 3.

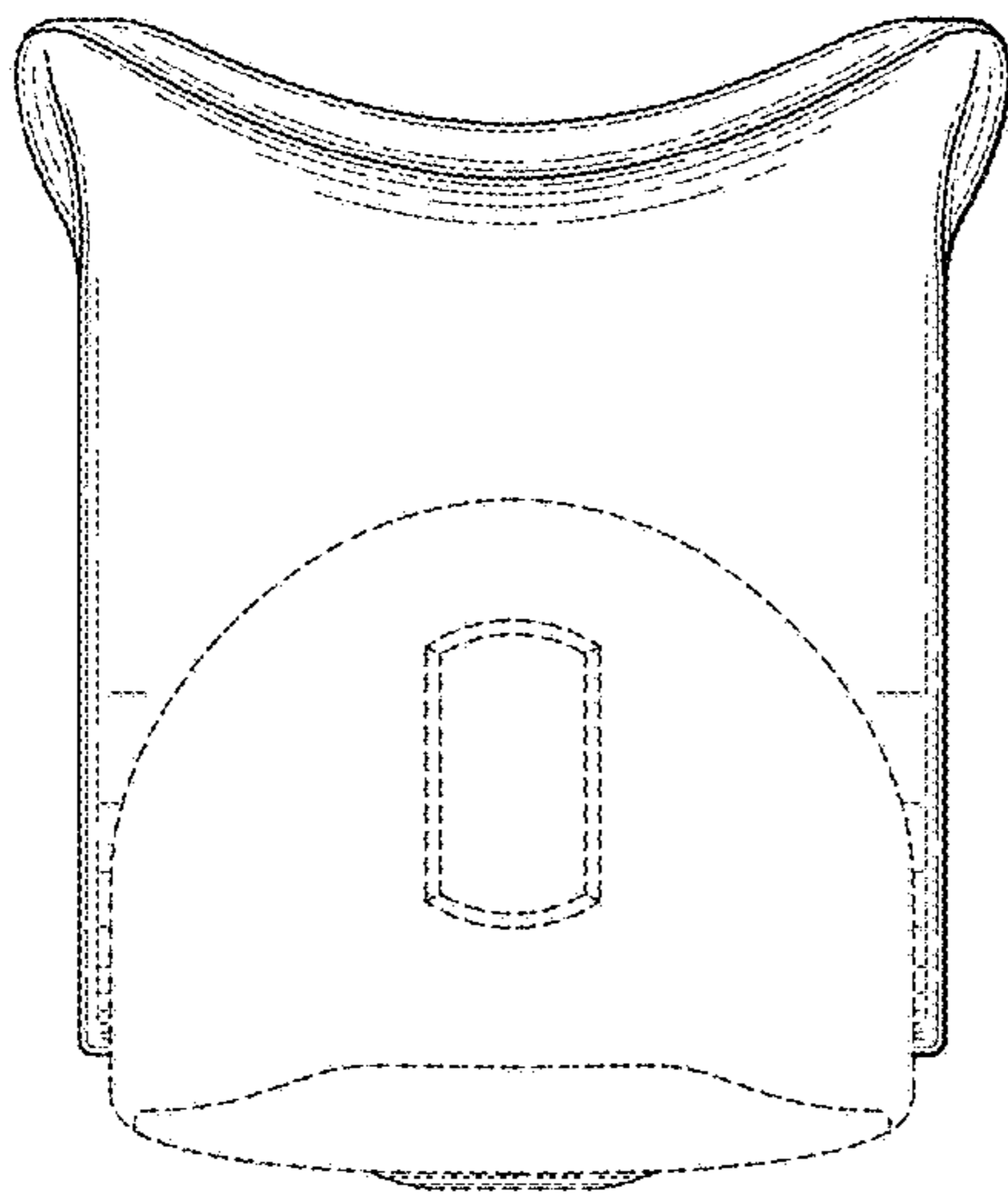


Fig. 4.

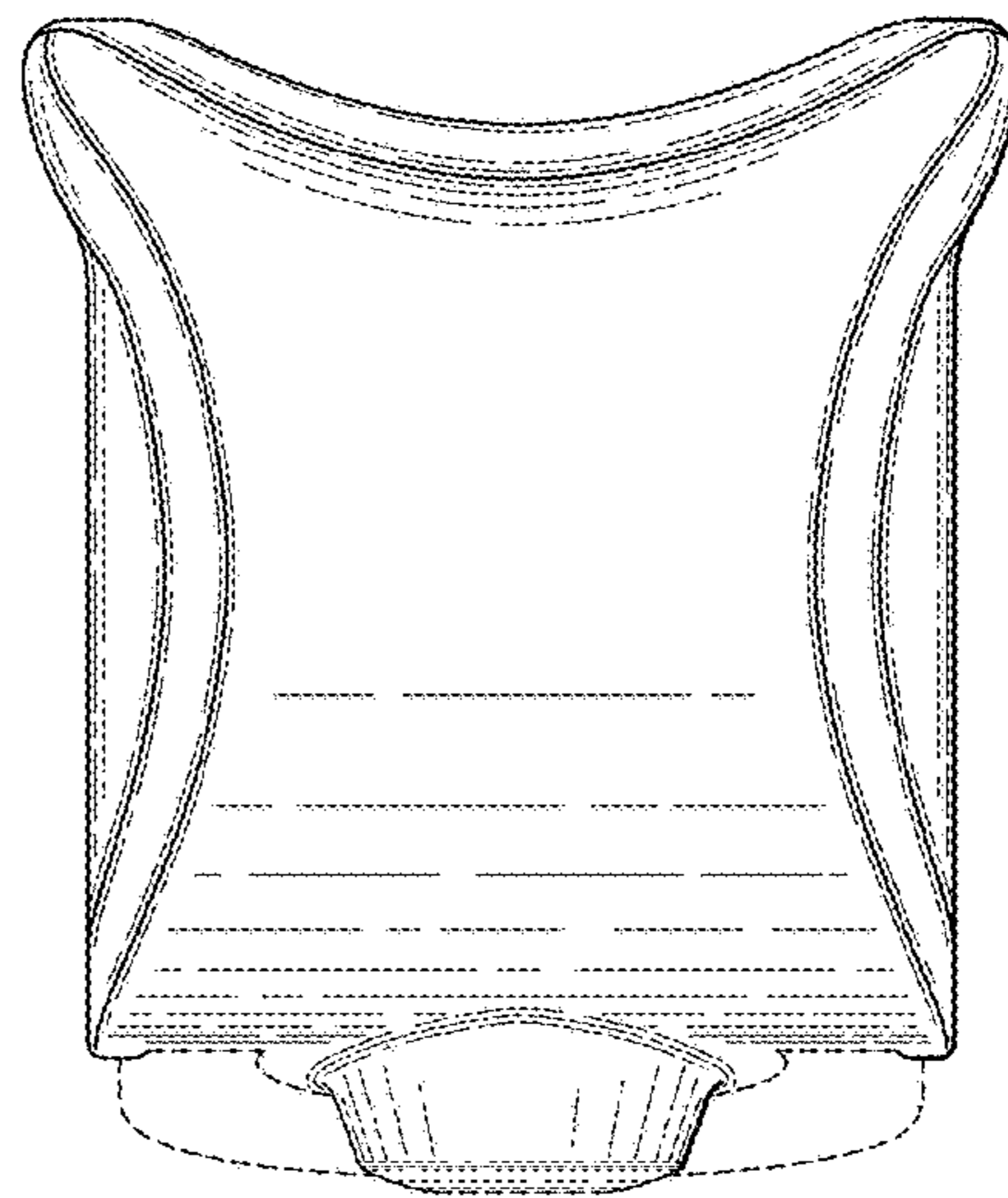


Fig. 5.

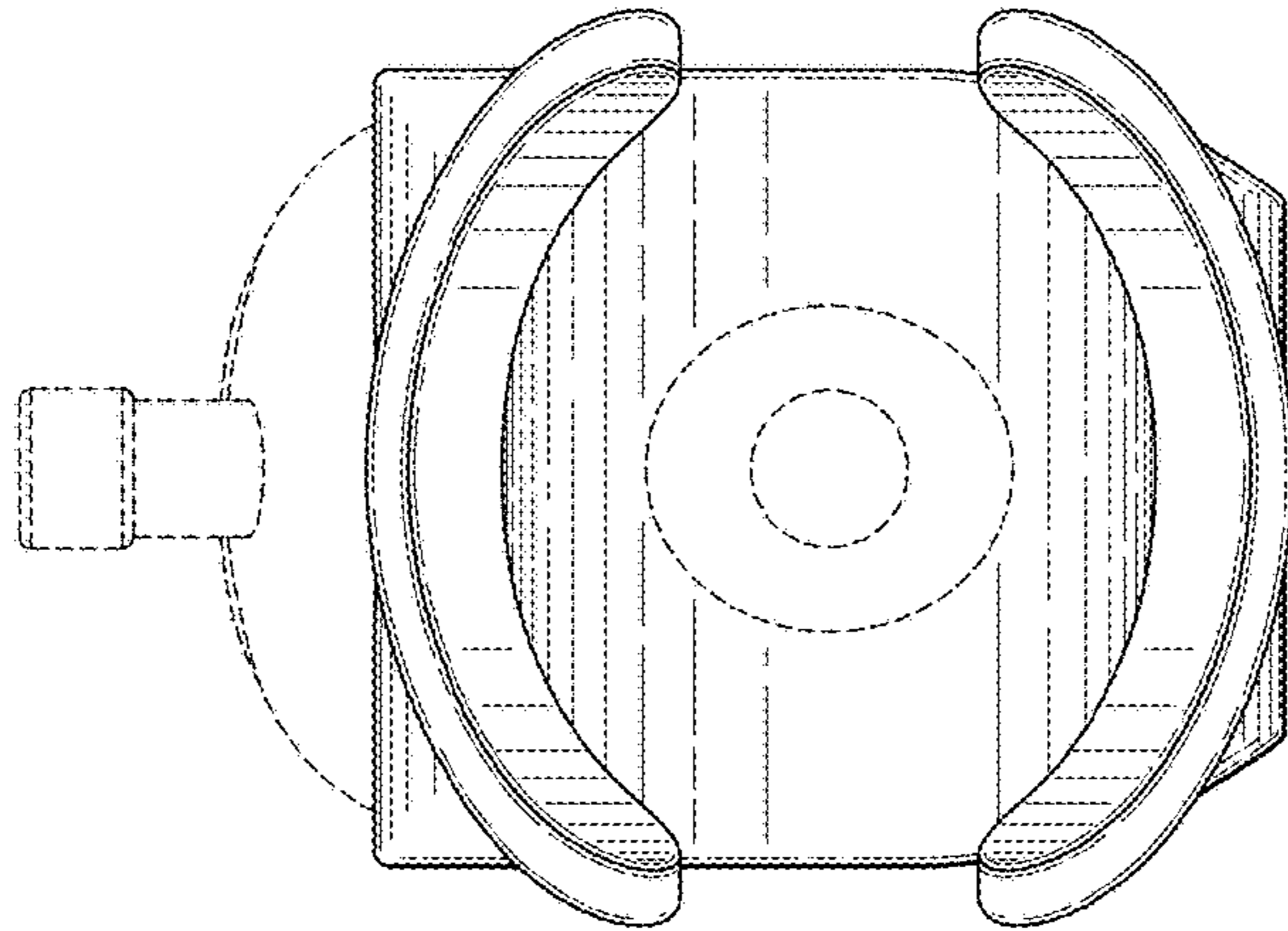


Fig. 6.

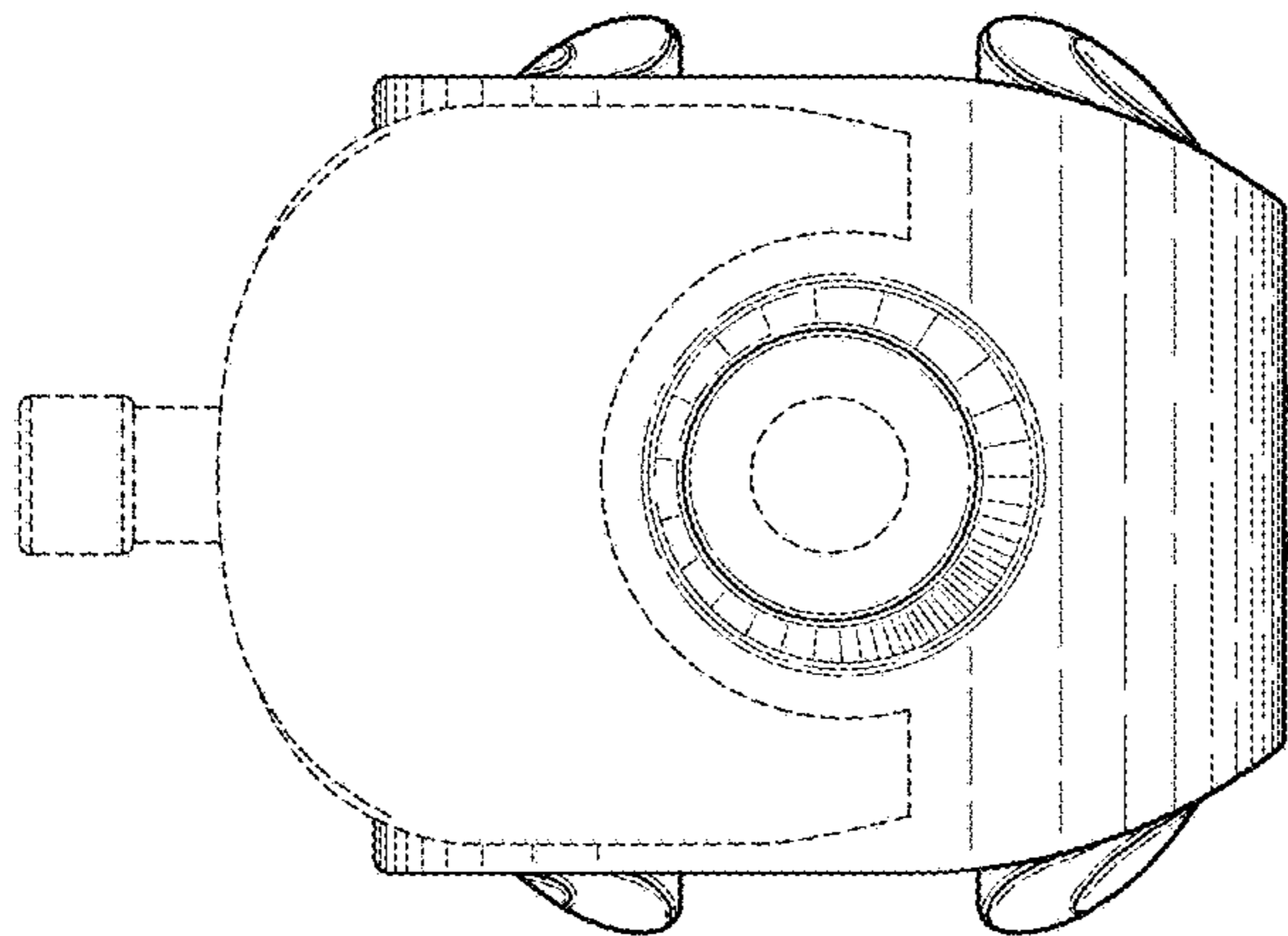


Fig. 7.