



US00D862471S

(12) **United States Design Patent** (10) **Patent No.:** **US D862,471 S**  
**Ishizawa et al.** (45) **Date of Patent:** **\*\* Oct. 8, 2019**

(54) **PRINTER**

(71) Applicant: **SEIKO EPSON CORPORATION,**  
Tokyo (JP)

(72) Inventors: **Shoichi Ishizawa,** Nagano (JP);  
**Katsuyuki Endo,** Matsumoto (JP);  
**Yoshiki Kinoshita,** Suwa (JP)

(73) Assignee: **SEIKO EPSON CORPORATION,**  
Tokyo (JP)

(\*\*) Term: **15 Years**

(21) Appl. No.: **29/622,000**

(22) Filed: **Oct. 13, 2017**

(51) **LOC (12) Cl.** ..... **14-02**

(52) **U.S. Cl.**  
USPC ..... **D14/386; D18/56**

(58) **Field of Classification Search**  
USPC ..... D14/299, 301-303, 307, 332, 386,  
D14/420-425, 432, 439, 441, 443, 447,  
D14/462-471, 474, 480.5, 483-484;  
D18/12, 14, 18-19, 36-41, 43-59, 54.1,  
D18/99

CPC .. G06K 15/12; G06K 15/14; B41J 3/00; B41J  
3/28; B41J 11/00; B41J 11/58; B41J  
15/12; B41J 15/042; G03G 15/00; G03G  
15/0142; H04N 1/00129; H04N 1/00135;  
H04N 1/00204; H04N 1/00278

See application file for complete search history.

(56) **References Cited**

**U.S. PATENT DOCUMENTS**

D279,188 S \* 6/1985 Satake ..... D14/332  
D297,326 S \* 8/1988 Williams ..... D18/55

D324,234 S \* 2/1992 Tanaka ..... D18/54  
D333,316 S \* 2/1993 Ishizawa ..... D18/55  
D343,190 S \* 1/1994 Ishizawa ..... D18/50  
D374,452 S \* 10/1996 Sato ..... D18/50  
D378,098 S \* 2/1997 Sato ..... D18/50  
D491,217 S \* 6/2004 Miyauchi ..... D18/50  
D509,845 S \* 9/2005 Miyauchi ..... D18/50  
D587,270 S \* 2/2009 Kimura ..... D14/386  
D591,746 S \* 5/2009 Kimura ..... D14/386  
D595,716 S \* 7/2009 Kimura ..... D14/386  
D671,941 S \* 12/2012 Kinoshita ..... D14/386  
D682,831 S \* 5/2013 Kimura ..... D14/386  
D750,164 S \* 2/2016 So ..... D18/50  
D800,125 S \* 10/2017 Yin ..... D14/422  
D825,567 S \* 8/2018 Behrooznia ..... D14/420

\* cited by examiner

*Primary Examiner* — Karen E Kearney  
*Assistant Examiner* — Andrew T Nemeth

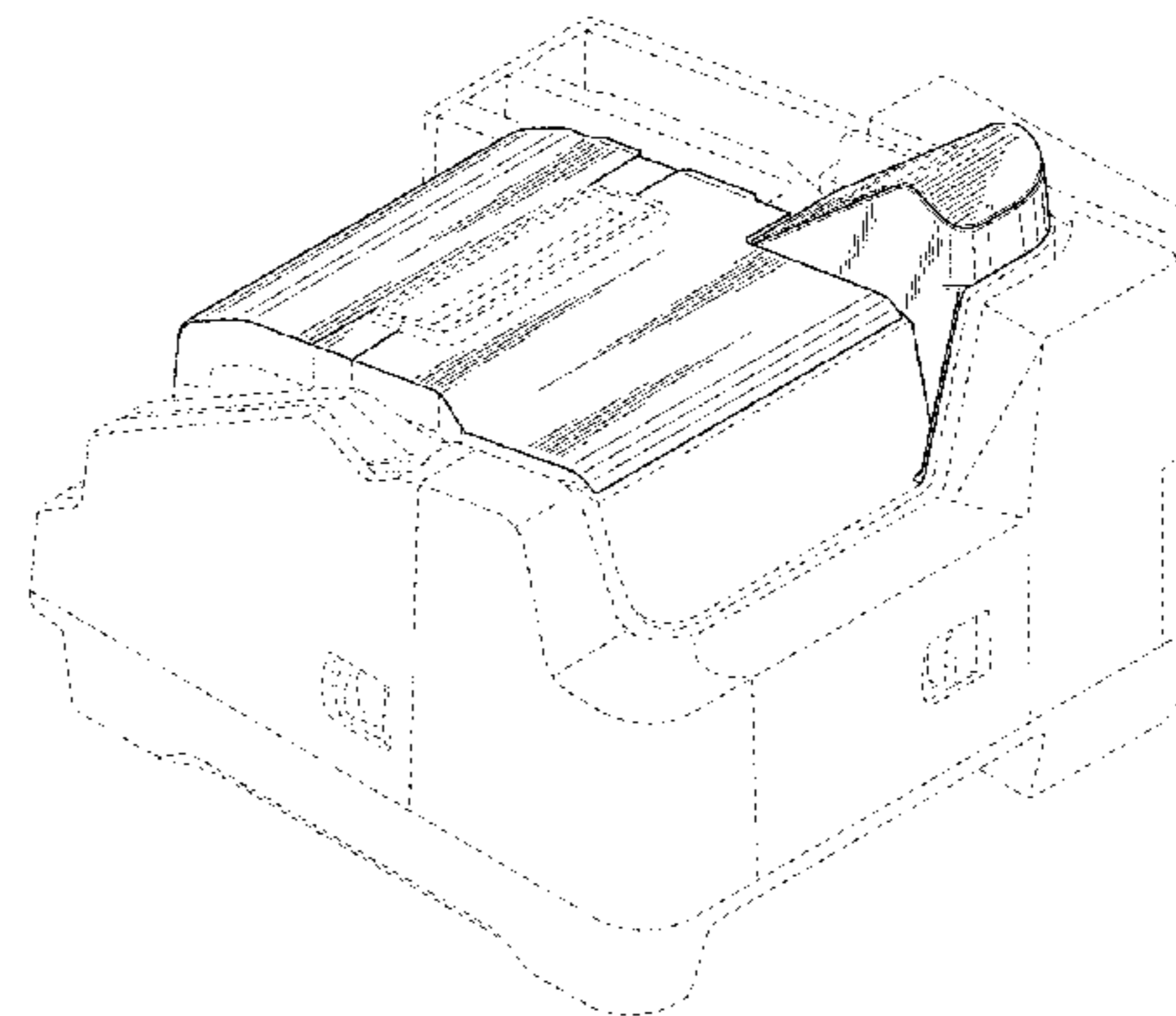
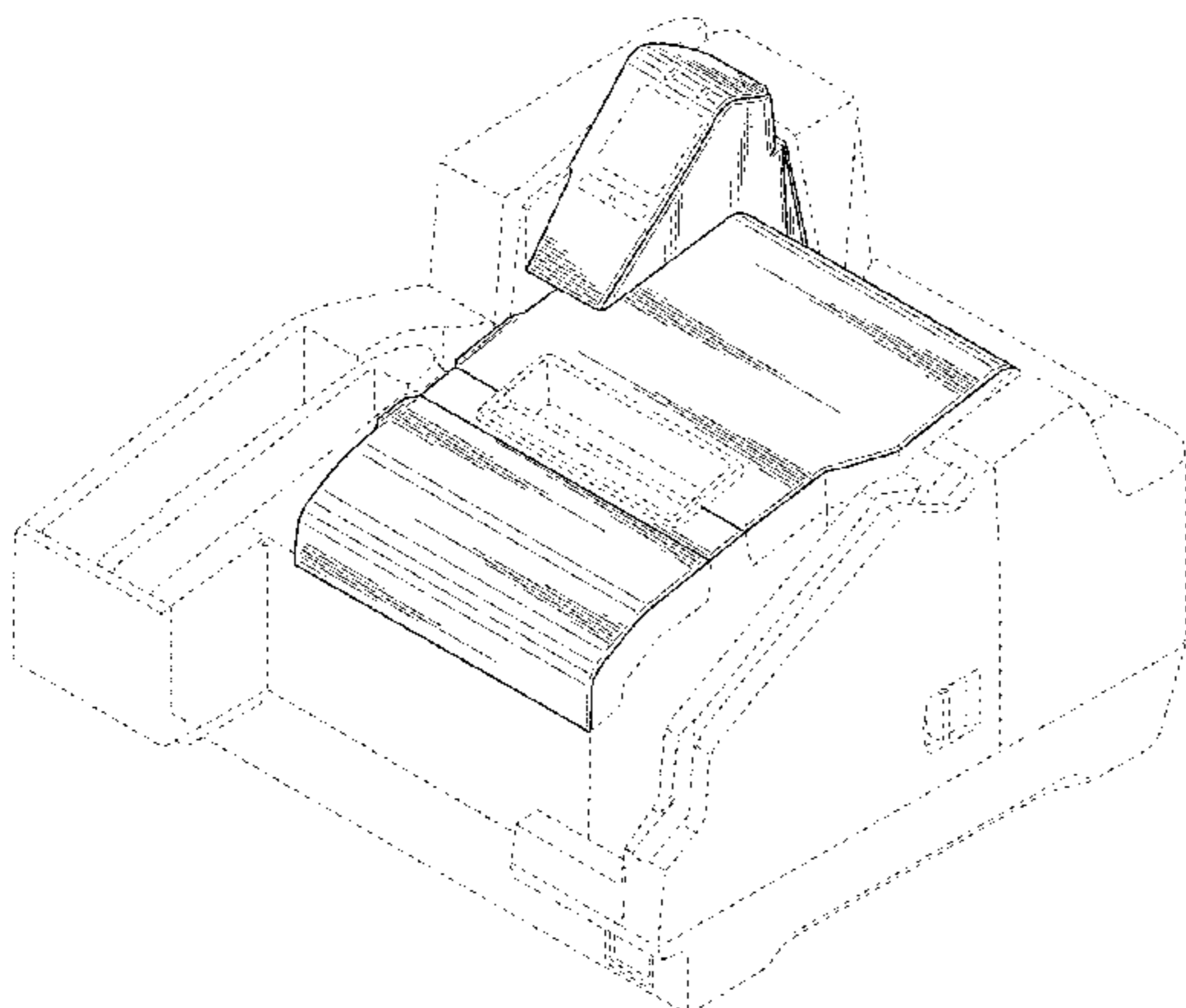
(57) **CLAIM**

The ornamental design for a printer, as shown and described.

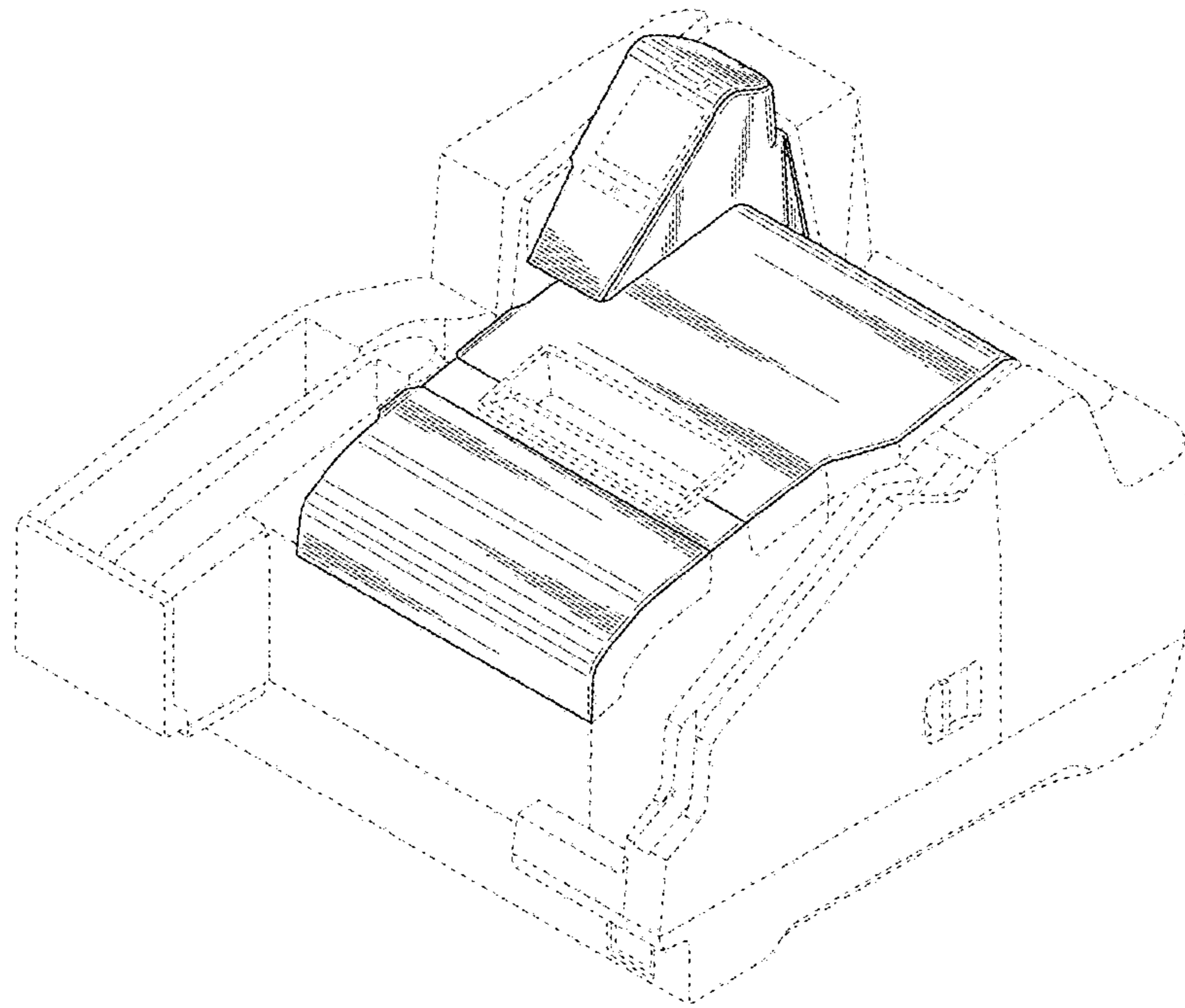
**DESCRIPTION**

FIG. 1 is a front, top and right side perspective view of a printer showing our new design;  
FIG. 2 is a rear, top and right side perspective view thereof;  
FIG. 3 is a front view thereof;  
FIG. 4 is a rear view thereof;  
FIG. 5 is a top plan view thereof;  
FIG. 6 is a bottom plan view thereof;  
FIG. 7 is a right side view thereof; and,  
FIG. 8 is a left side view thereof.  
The broken lines illustrate portions of the printer and form no part of the claimed design.

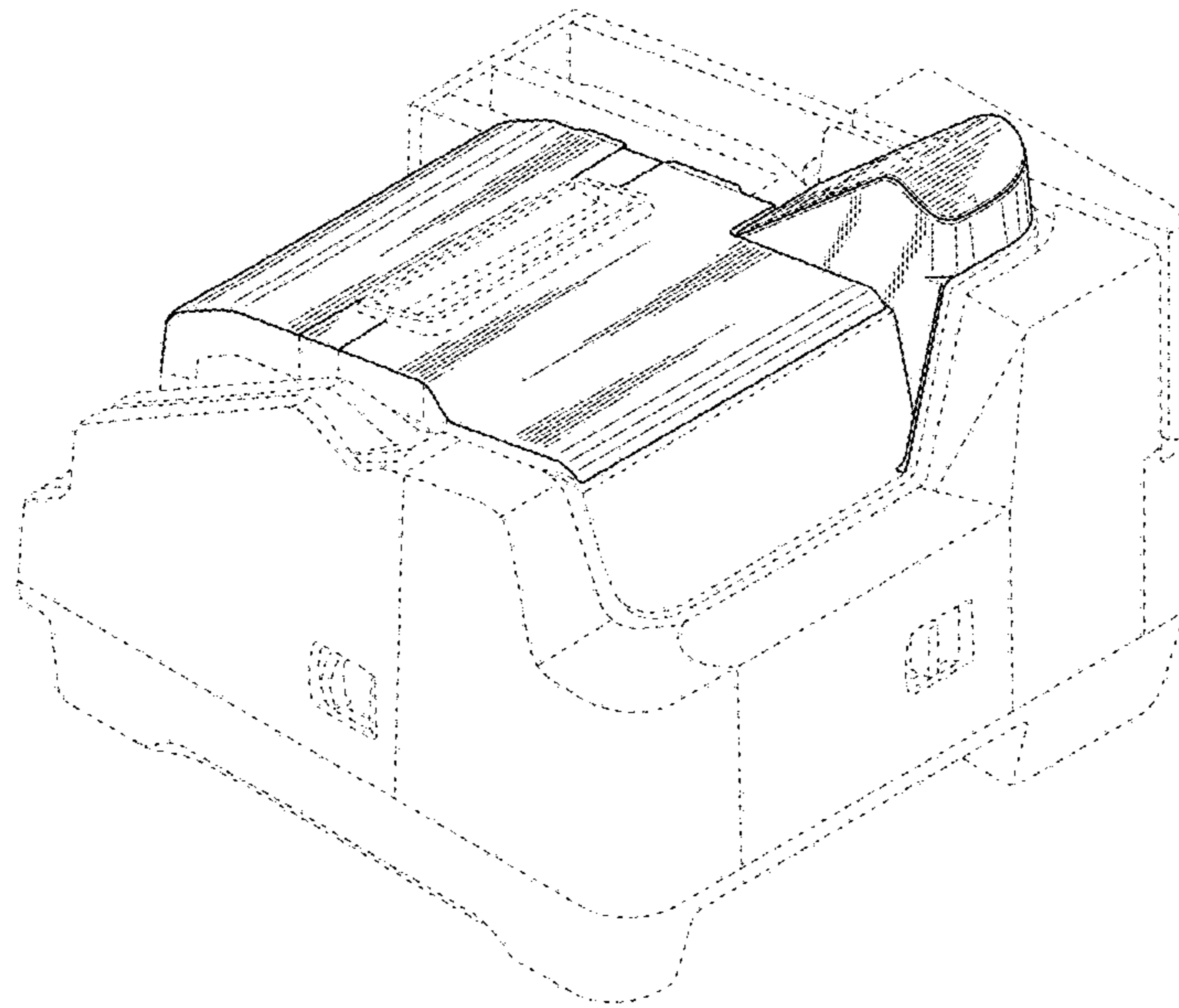
**1 Claim, 8 Drawing Sheets**



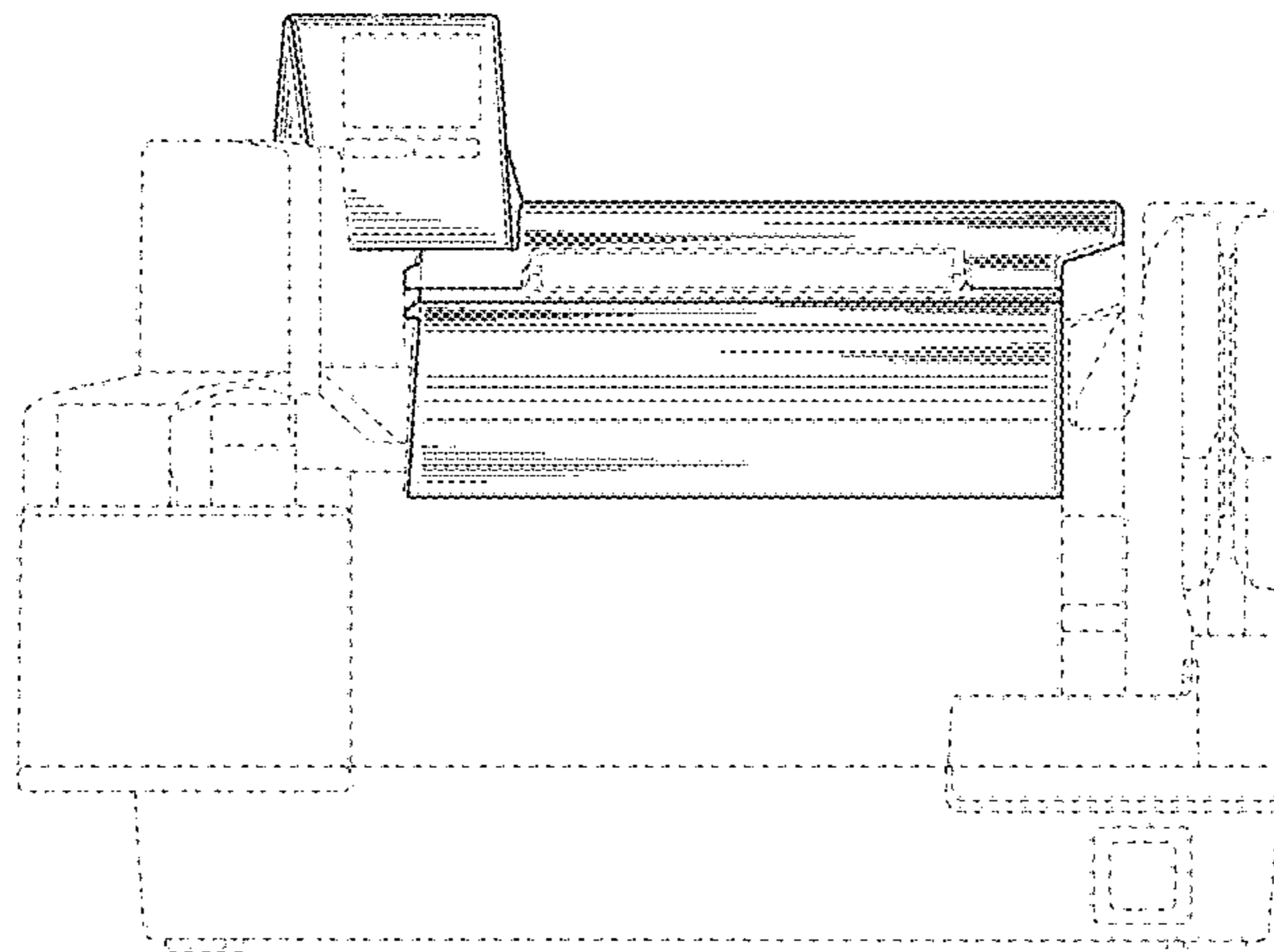
*FIG. 1*



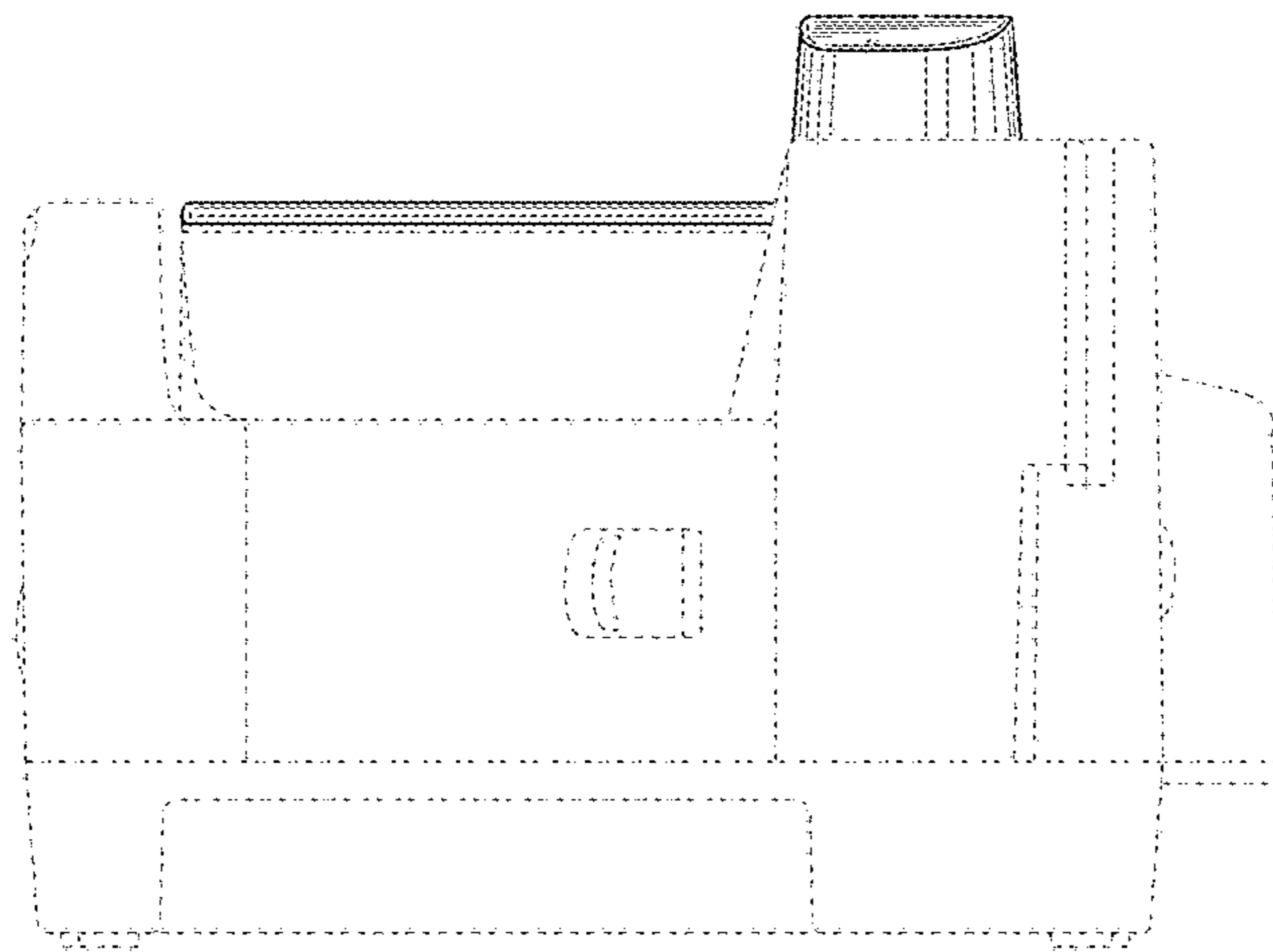
*FIG. 2*



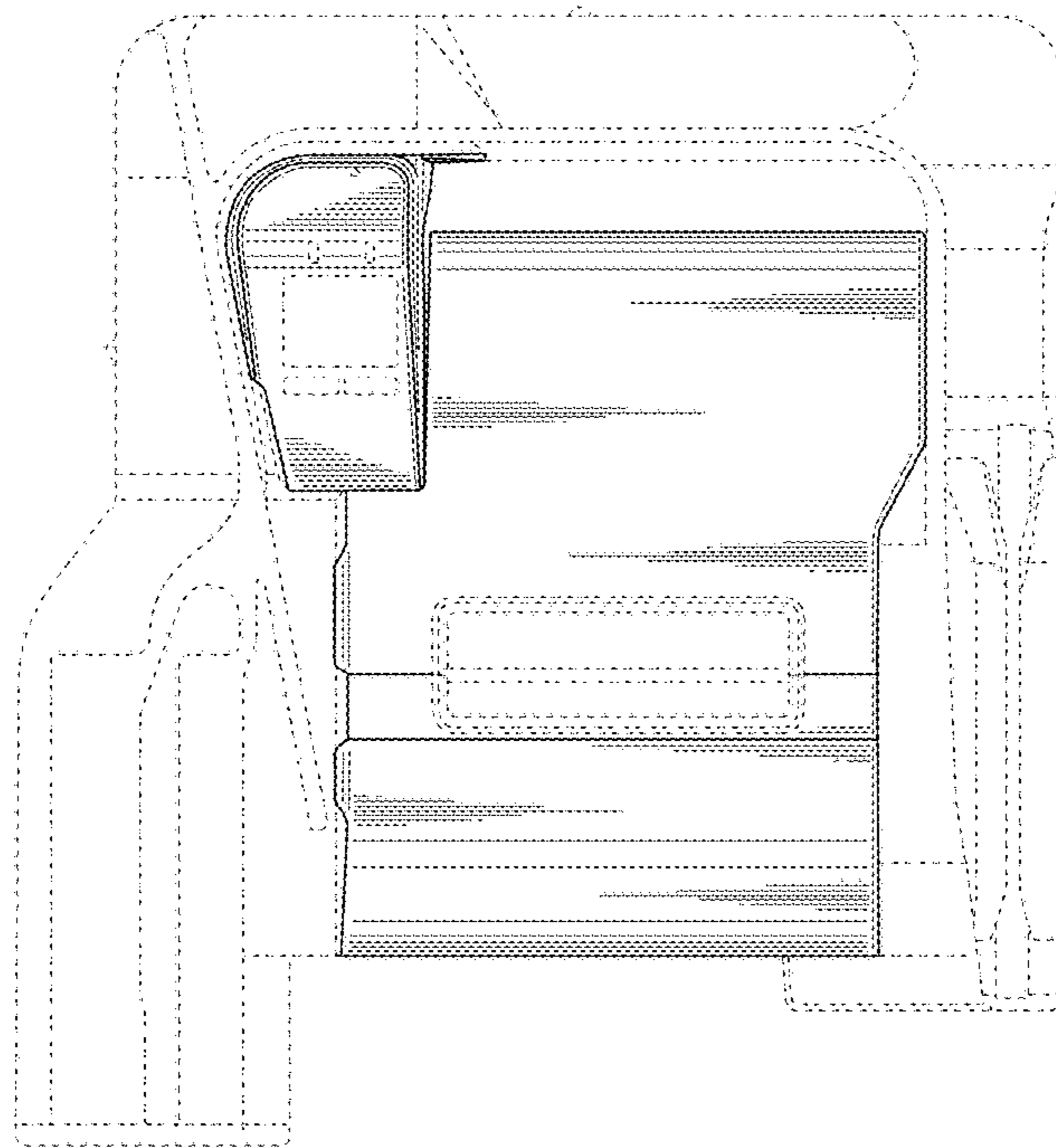
*FIG. 3*



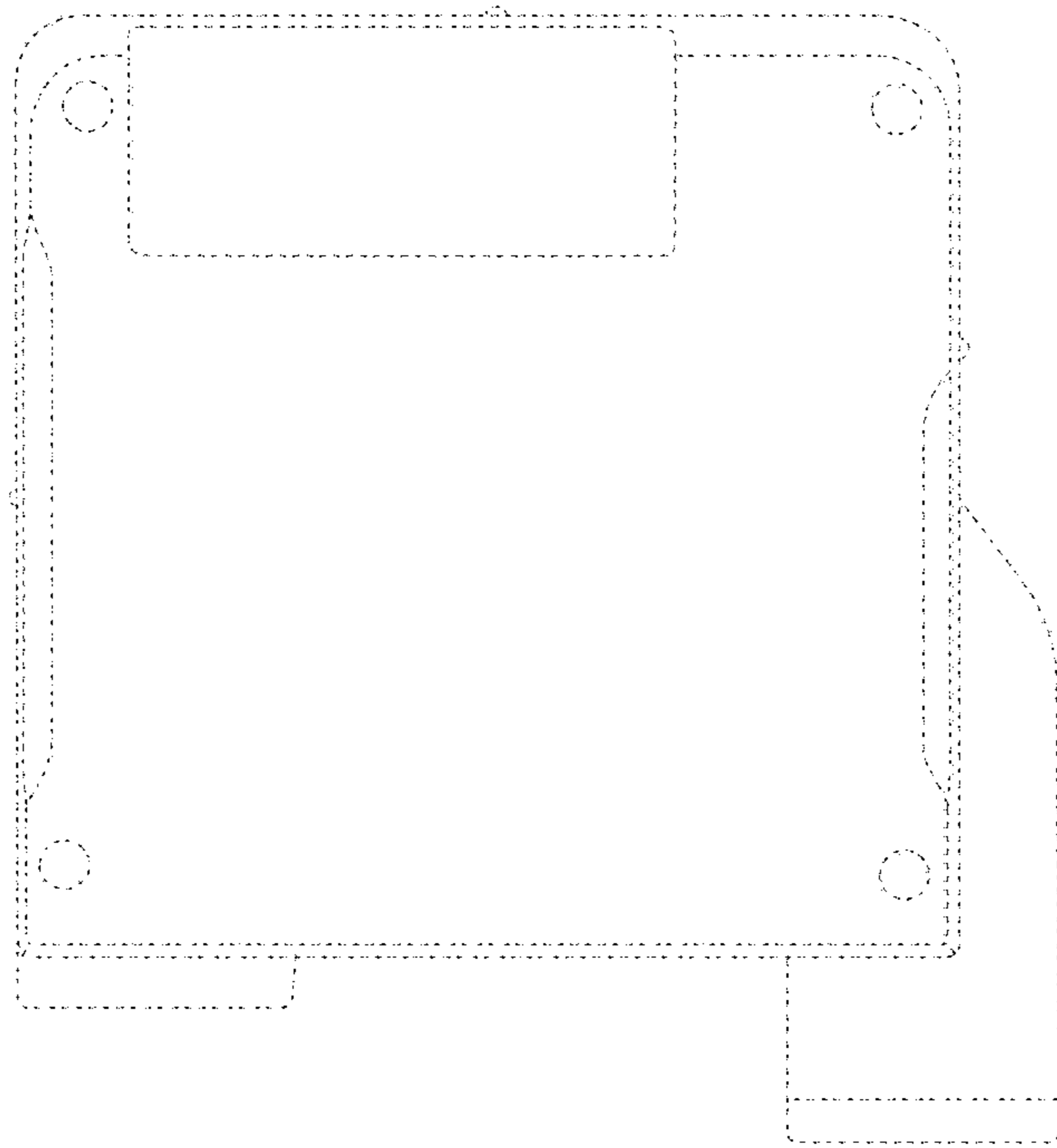
*FIG. 4*



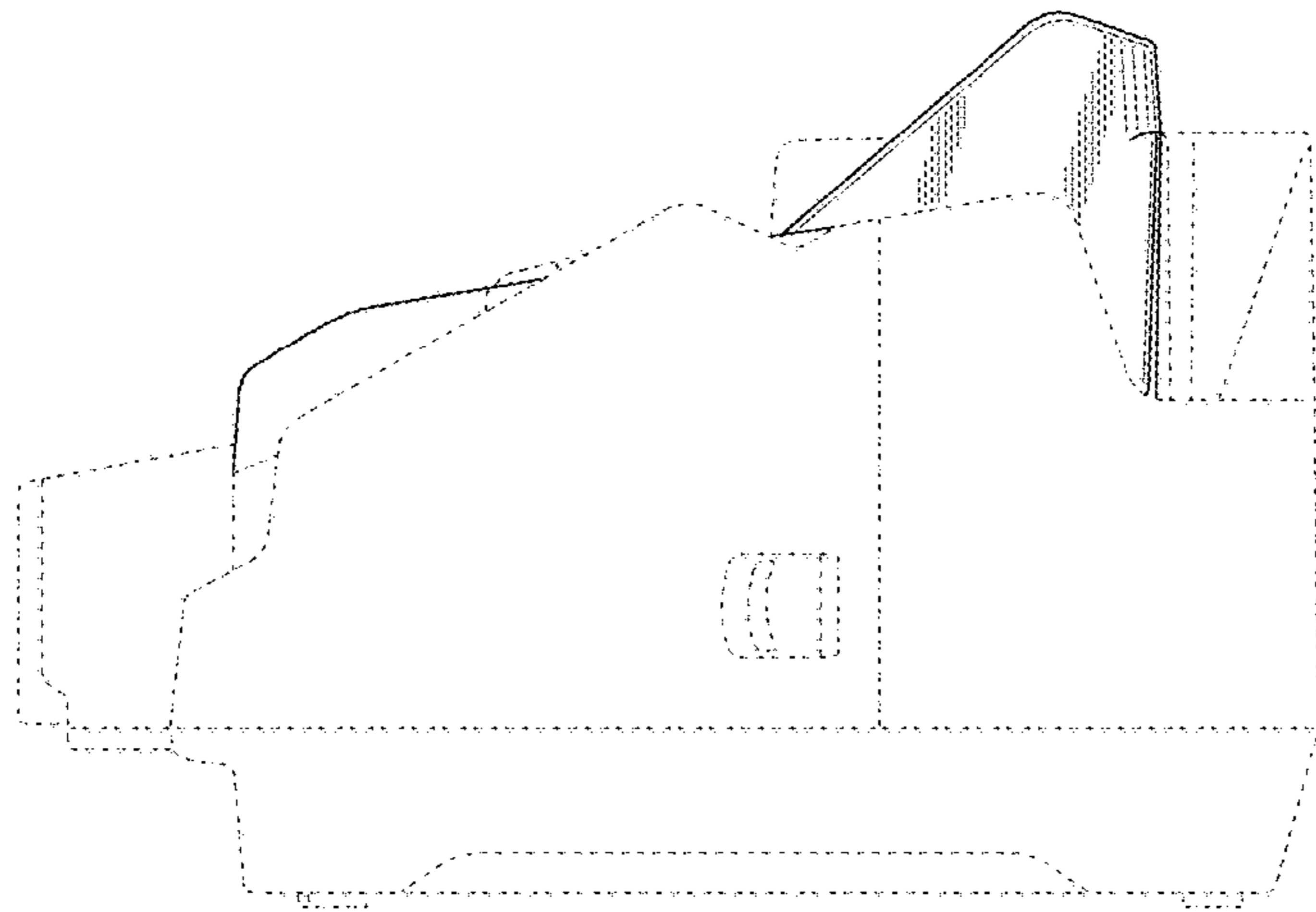
*FIG. 5*



*FIG. 6*



*FIG. 7*





*FIG. 8*

