



US00D862469S

(12) **United States Design Patent**
Sadot et al.

(10) **Patent No.:** **US D862,469 S**

(45) **Date of Patent:** **** Oct. 8, 2019**

(54) **HEAD-MOUNTED DISPLAY**

(71) Applicant: **Flex Ltd.**, Singapore (SG)

(72) Inventors: **Avner Sadot**, Tel Aviv (IL); **Guy Dvir**, Givataim (IL); **Yoav Dracher**, Tel Aviv (IL); **Raz Elias**, Lod (IL); **Ori Jacobi**, Tel Aviv (IL); **Geva Segal**, Tel Aviv (IL); **Xinyue Tang**, Shanghai (CN); **Hou Yuxi**, Shanghai (CN); **Zhang Yunqi**, Suzhou (CN)

(73) Assignee: **Flex, Ltd.**, Singapore (SG)

(**) Term: **15 Years**

(21) Appl. No.: **29/655,770**

(22) Filed: **Jul. 6, 2018**

(51) **LOC (12) Cl.** **14-02**

(52) **U.S. Cl.**
USPC **D14/372**

(58) **Field of Classification Search**
USPC D14/372, 496, 432, 371, 125, 126, 129, D14/299; D16/300-342; 351/158, 153, 351/144; 345/7-9, 905; 455/344; 348/115, 53, 121, 739
CPC G02B 27/017; G02B 27/0158; G02B 27/0161; G02B 27/0181; G02B 27/0185; G02B 27/0189

See application file for complete search history.

(56) **References Cited**

U.S. PATENT DOCUMENTS

D806,075 S * 12/2017 Chen D14/372
D806,710 S * 1/2018 Chen D14/372

D807,356 S * 1/2018 Chou D14/372
D807,358 S * 1/2018 Huang D14/372
D813,233 S * 3/2018 Lee D14/372
D819,634 S * 6/2018 Pang D14/372
D825,560 S * 8/2018 Gribetz D14/372
D827,642 S * 9/2018 Liu D14/372
D833,432 S * 11/2018 Lin D14/372
D838,718 S * 1/2019 Chiang D14/372
D839,269 S * 1/2019 Wang D14/372
D839,872 S * 2/2019 Wei D14/372

* cited by examiner

Primary Examiner — Austin Murphy

(74) *Attorney, Agent, or Firm* — Sheridan Ross P.C.

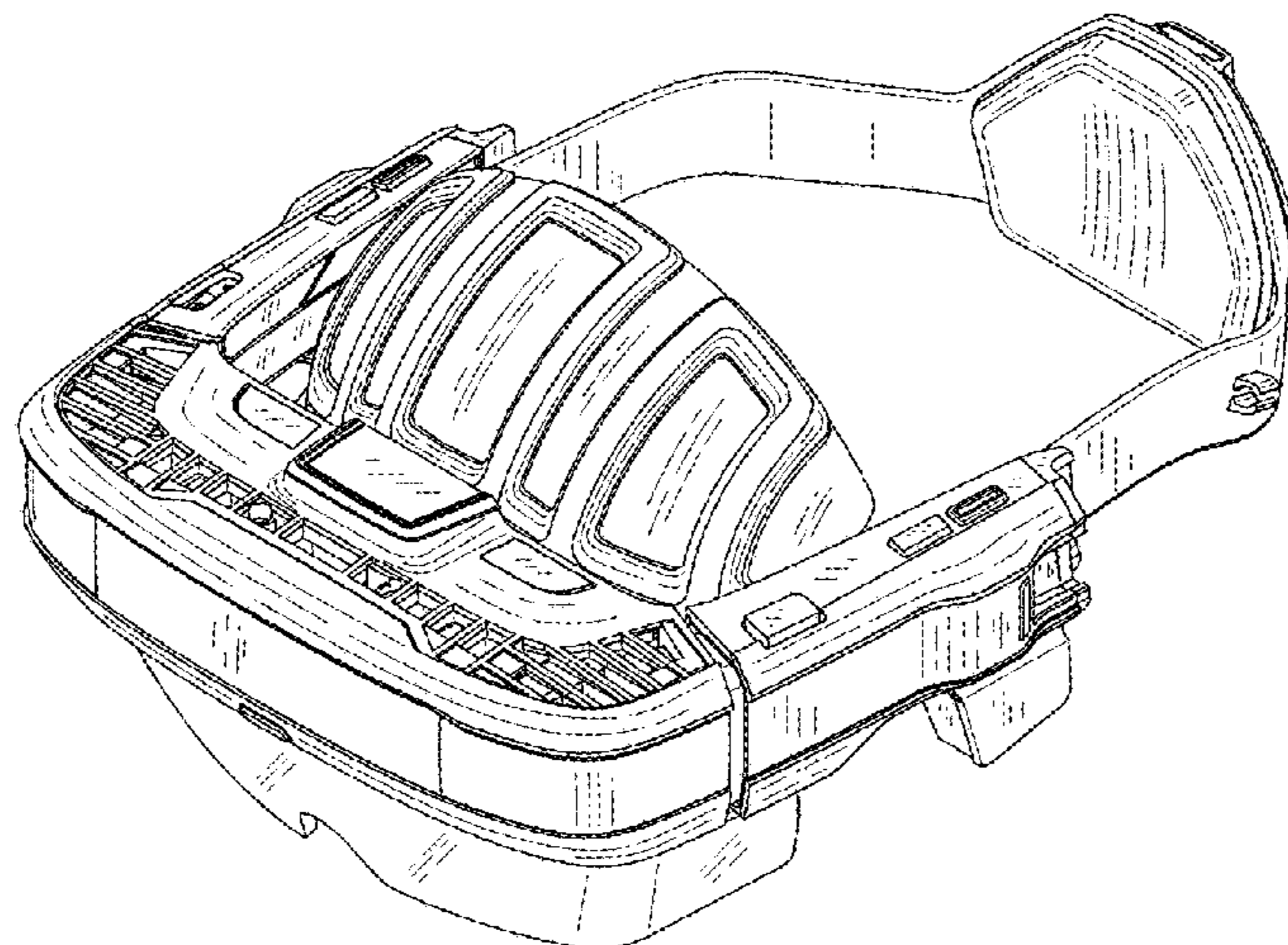
(57) **CLAIM**

The ornamental design for the head-mounted display, as shown and described.

DESCRIPTION

FIG. 1 is a perspective view of a head-mounted display; FIG. 2 is a front elevation view of the head-mounted display of FIG. 1; FIG. 3 is a rear elevation view of the head-mounted display of FIG. 1; FIG. 4 is a right elevation view of the head-mounted display of FIG. 1; FIG. 5 is a left elevation view of the head-mounted display of FIG. 1; FIG. 6 is a top plan view of the head-mounted display of FIG. 1; and, FIG. 7 is a bottom plan view of the head-mounted display of FIG. 1.

1 Claim, 7 Drawing Sheets



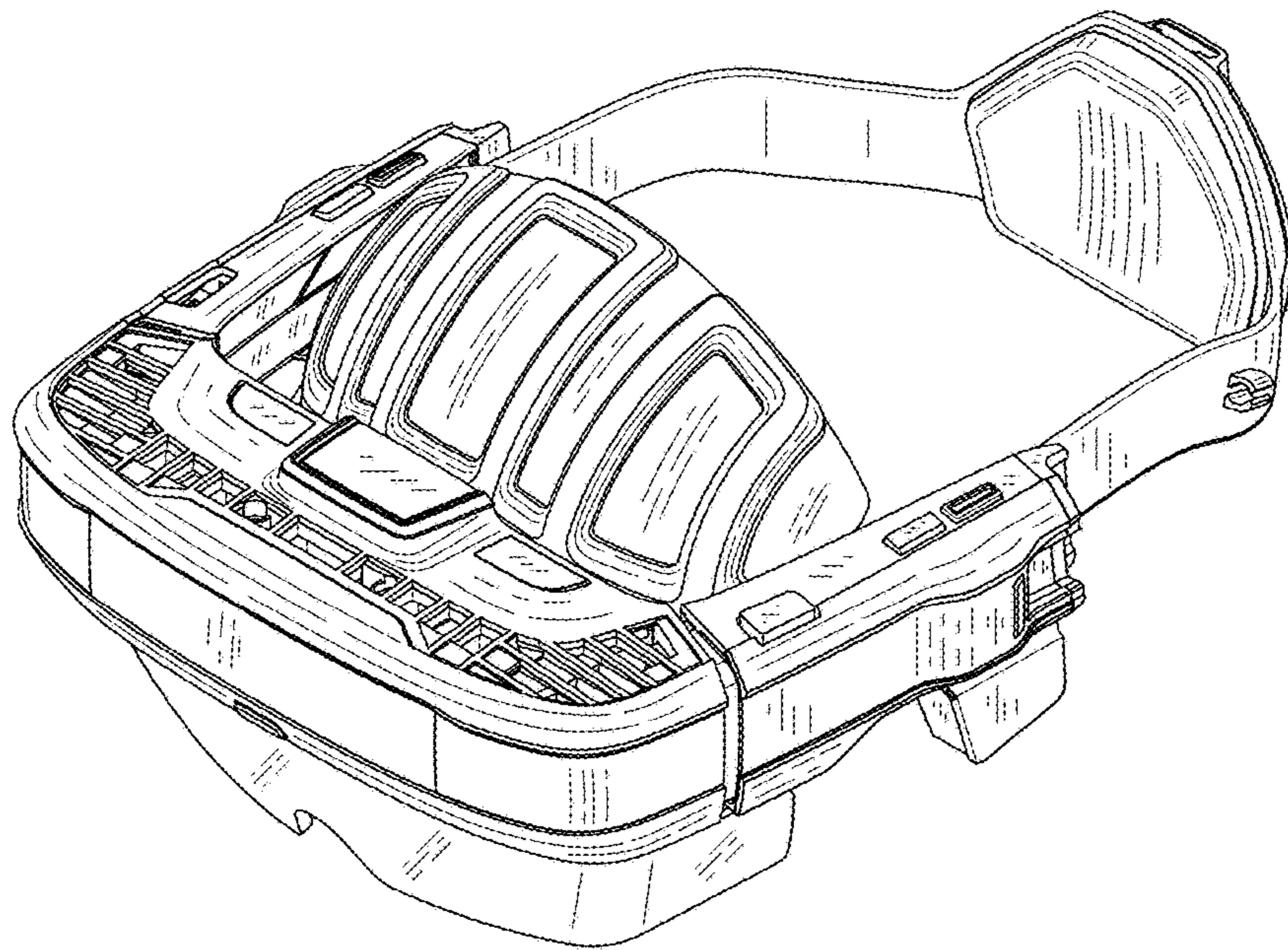


FIG.1

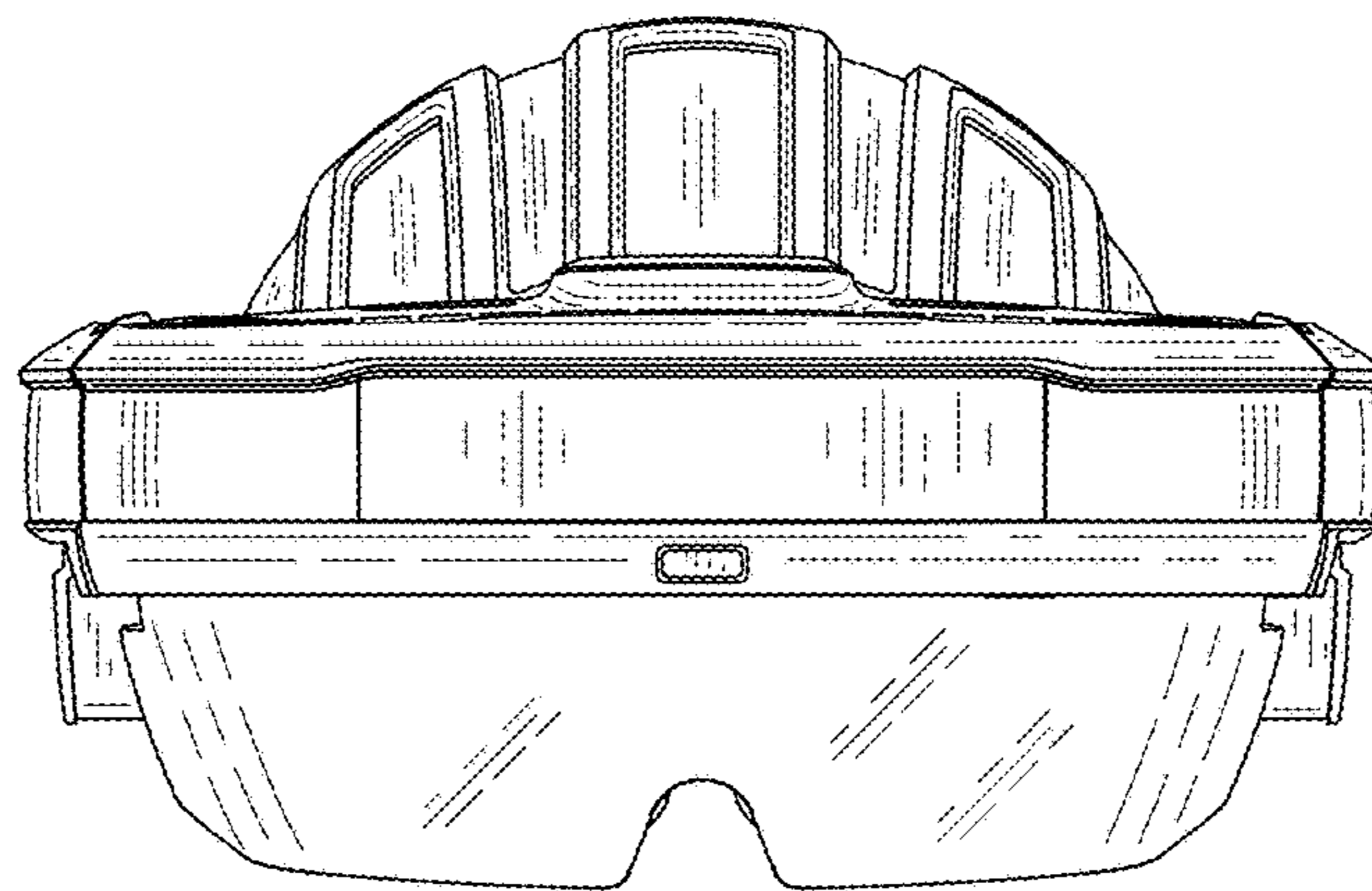


FIG.2

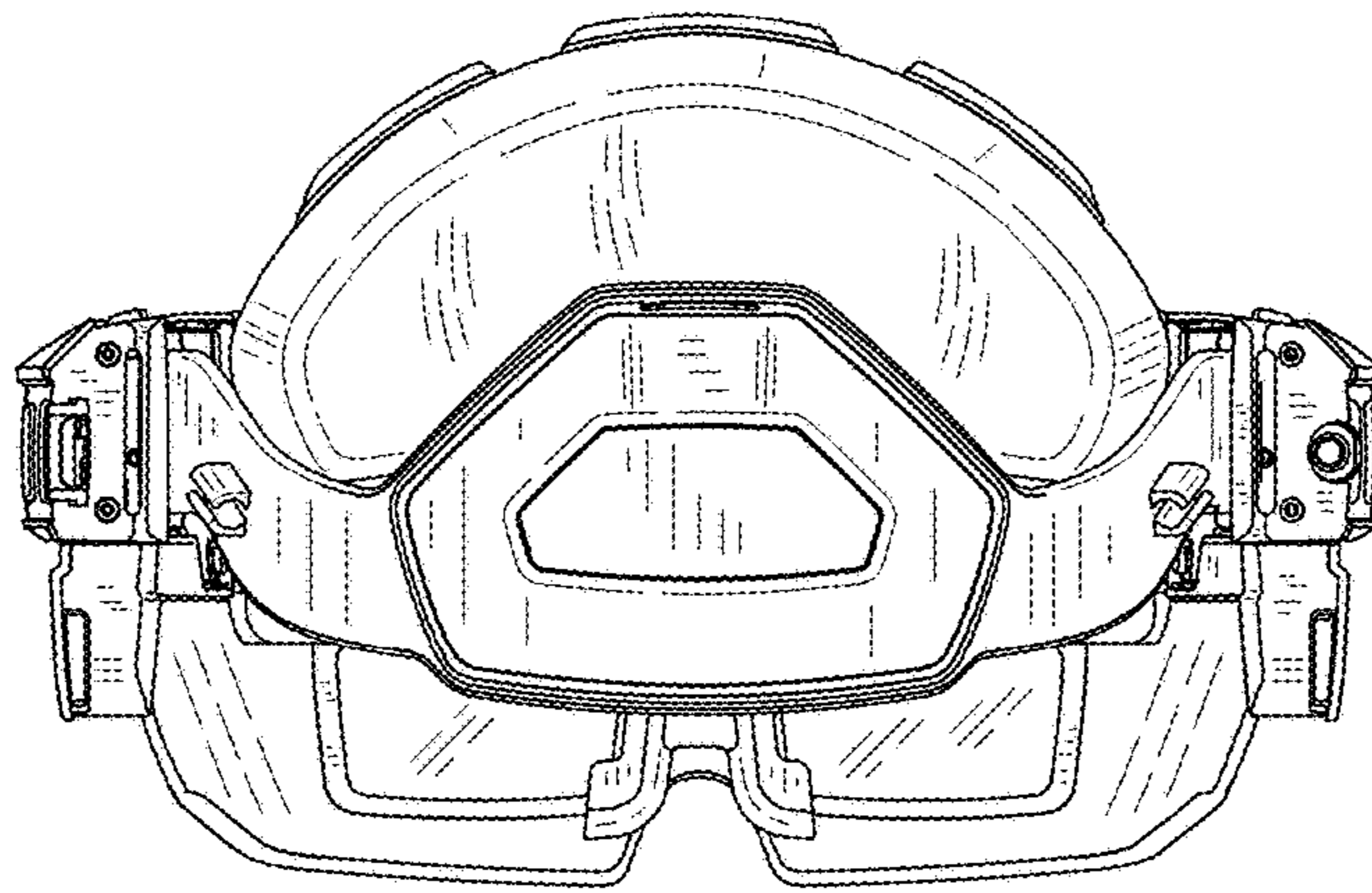


FIG.3

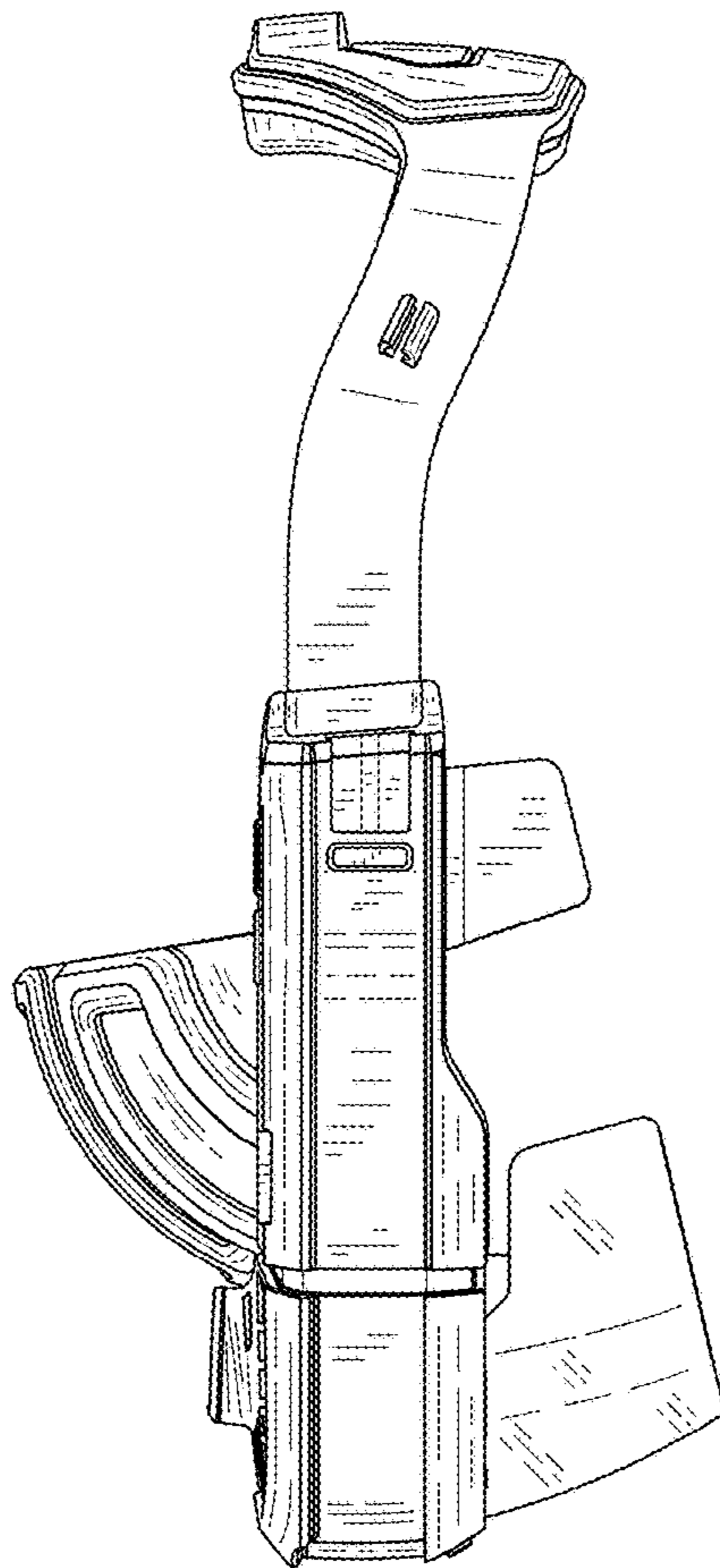


FIG.4

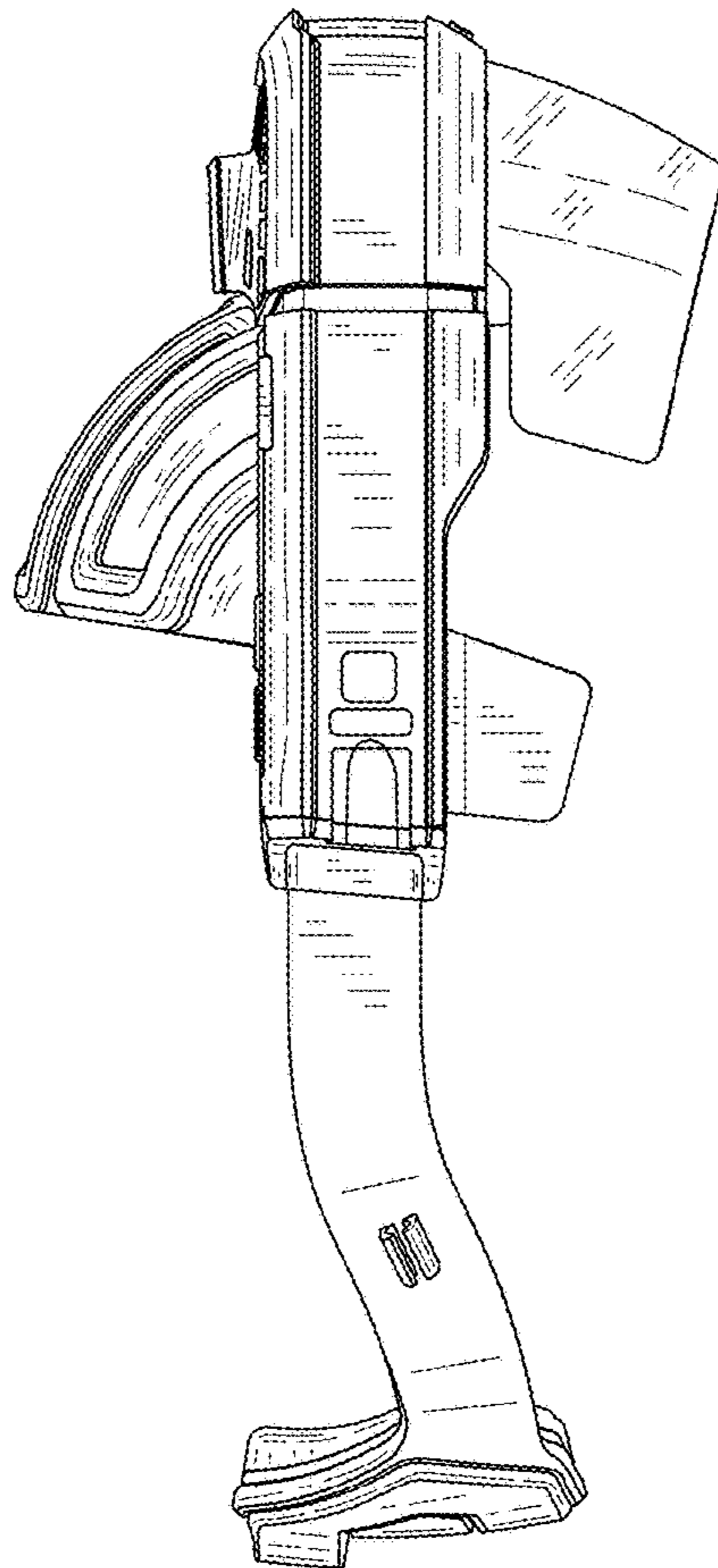


FIG.5

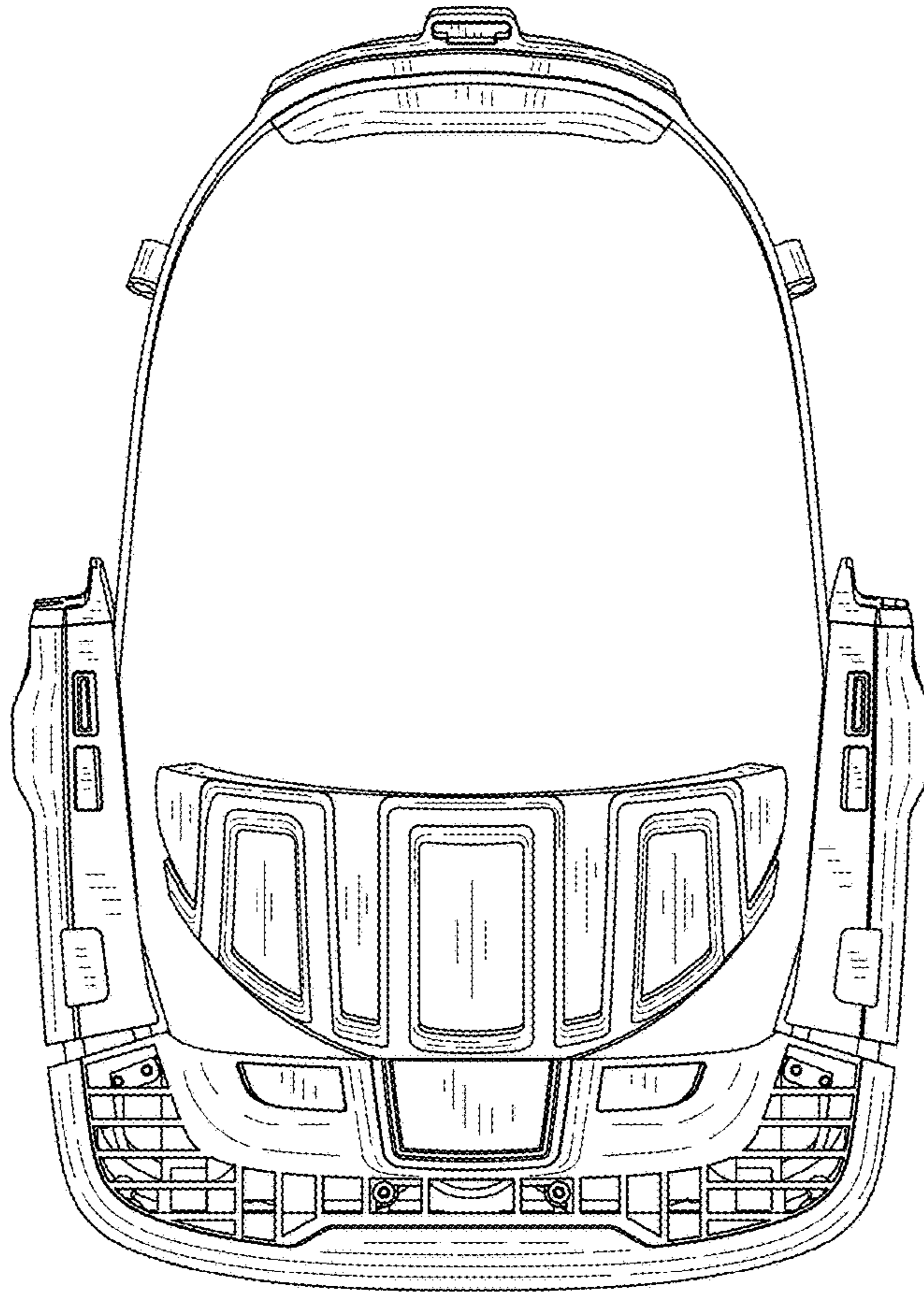


FIG.6

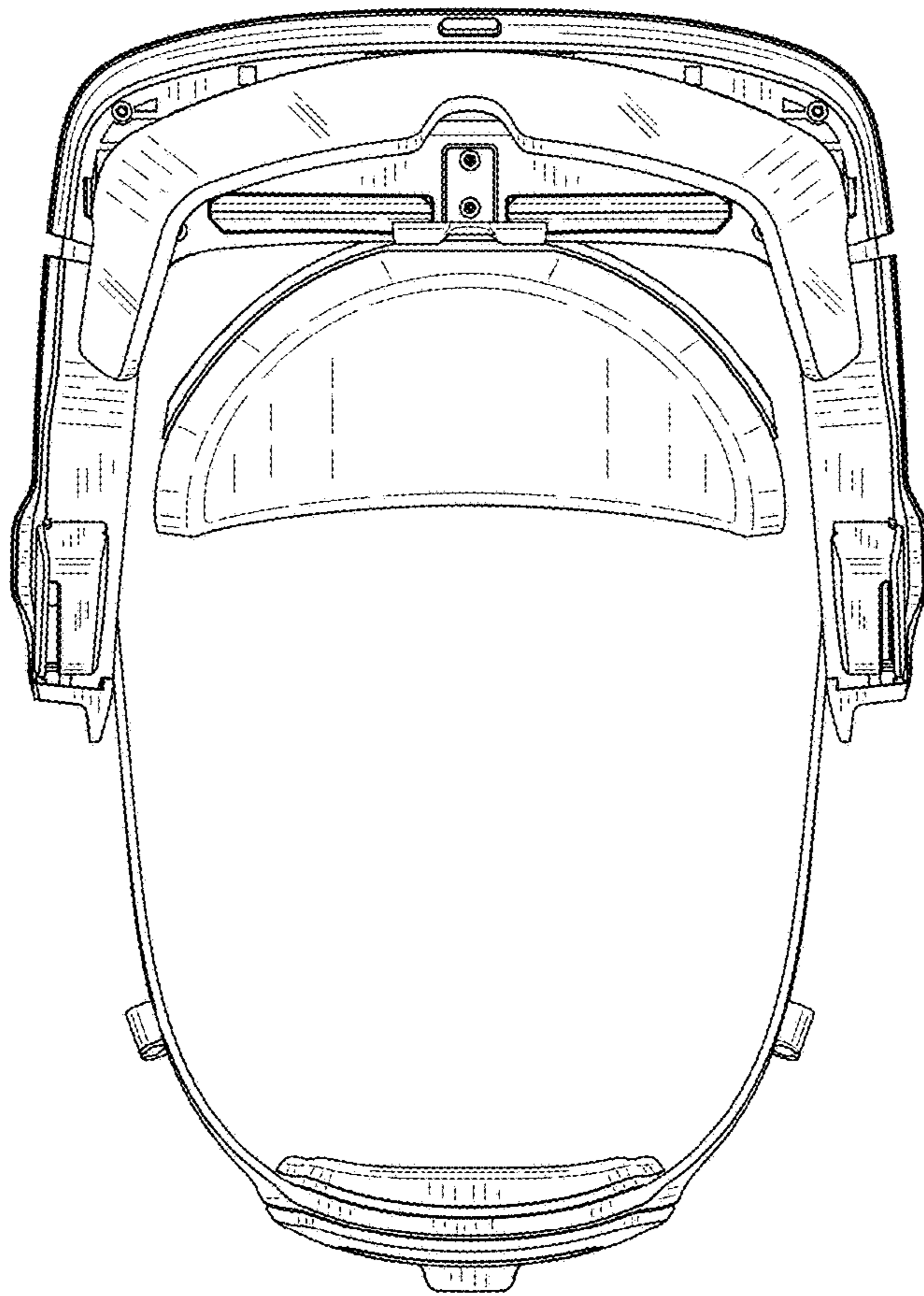


FIG.7