



US00D862467S

(12) **United States Design Patent**
Chen

(10) **Patent No.:** **US D862,467 S**

(45) **Date of Patent:** **** Oct. 8, 2019**

(54) **EYESHAD FOR HEAD MOUNTED
DISPLAY DEVICE**

(71) Applicant: **SHENZHEN ROYOLE
TECHNOLOGIES CO. LTD.,**
Shenzhen, Guangdong (CN)

(72) Inventor: **Chen Chen**, Guangdong (CN)

(73) Assignee: **SHENZHEN ROYOLE
TECHNOLOGIES CO., LTD.,**
Shenzhen (CN)

(**) Term: **15 Years**

(21) Appl. No.: **29/649,353**

(22) Filed: **May 29, 2018**

(30) **Foreign Application Priority Data**

Nov. 28, 2017 (CN) 2017 3 0594828

(51) **LOC (12) Cl.** **14-02**

(52) **U.S. Cl.**
USPC **D14/372**

(58) **Field of Classification Search**
USPC D14/372, 496, 432, 371, 125, 126, 129,
D14/299; D16/300-342; 351/158, 153,
351/144; 345/7-9, 905; 455/344;
348/115, 53, 121, 739
CPC G02B 27/017; G02B 27/0158; G02B
27/0161; G02B 27/0181; G02B 27/0185;
G02B 27/0189

See application file for complete search history.

(56) **References Cited**

U.S. PATENT DOCUMENTS

D752,680 S * 3/2016 Kim D14/372
D765,918 S * 9/2016 Floyd, Jr. D2/892

D776,111 S * 1/2017 Baldassi D14/372
D785,620 S * 5/2017 Zhang D14/372
D796,051 S * 8/2017 Ruffini D24/187
D801,969 S * 11/2017 Yee D14/372
D806,073 S * 12/2017 Li D14/372
D815,638 S * 4/2018 Edwards D14/372
D816,670 S * 5/2018 Hsu D14/372
D820,259 S * 6/2018 Lee D14/372
D828,836 S * 9/2018 Ellis D14/372
2015/0237944 A1 * 8/2015 Floyd, Jr. A42B 1/08
2/414

* cited by examiner

Primary Examiner — Austin Murphy

(74) *Attorney, Agent, or Firm* — Hauptman Ham, LLP

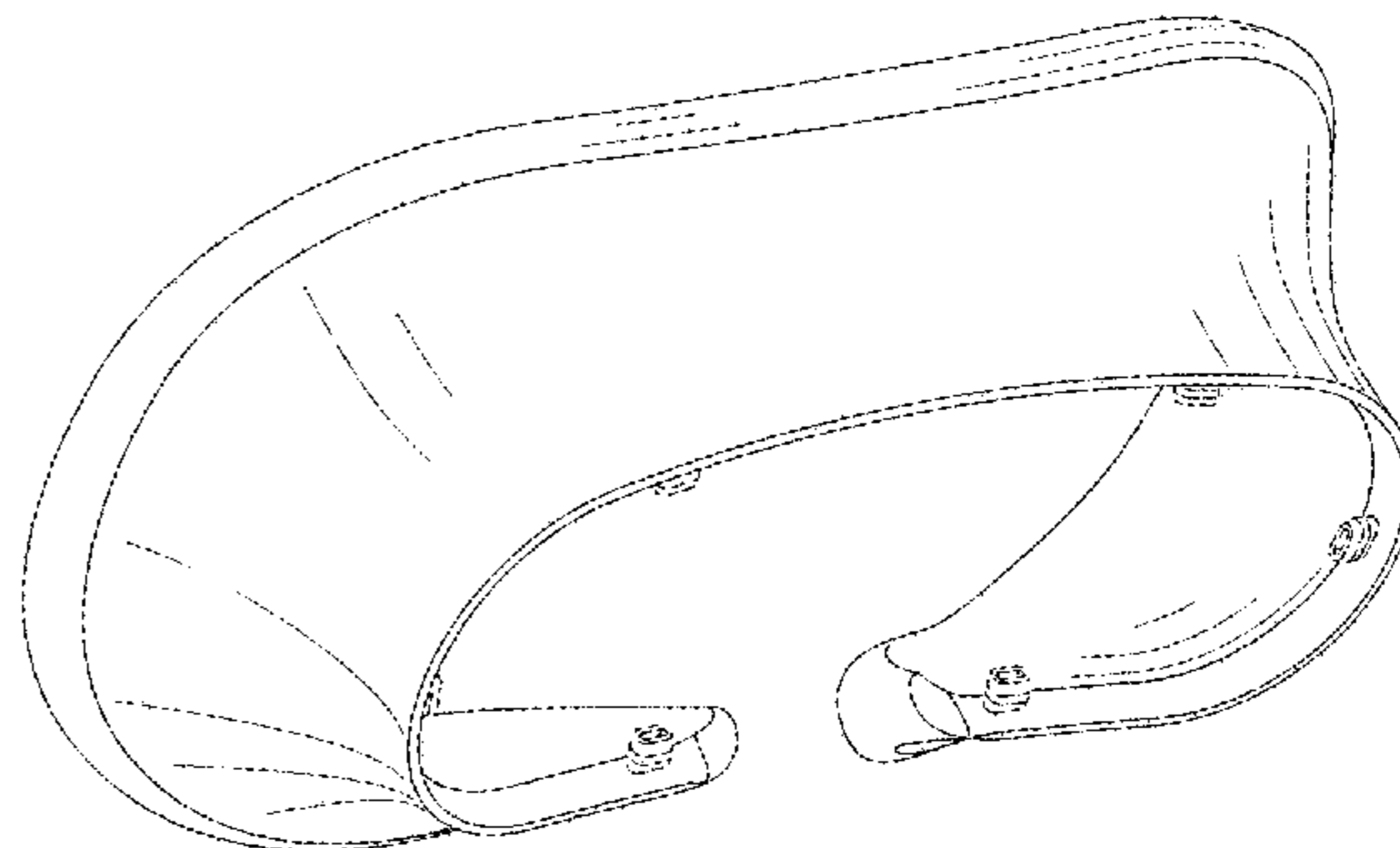
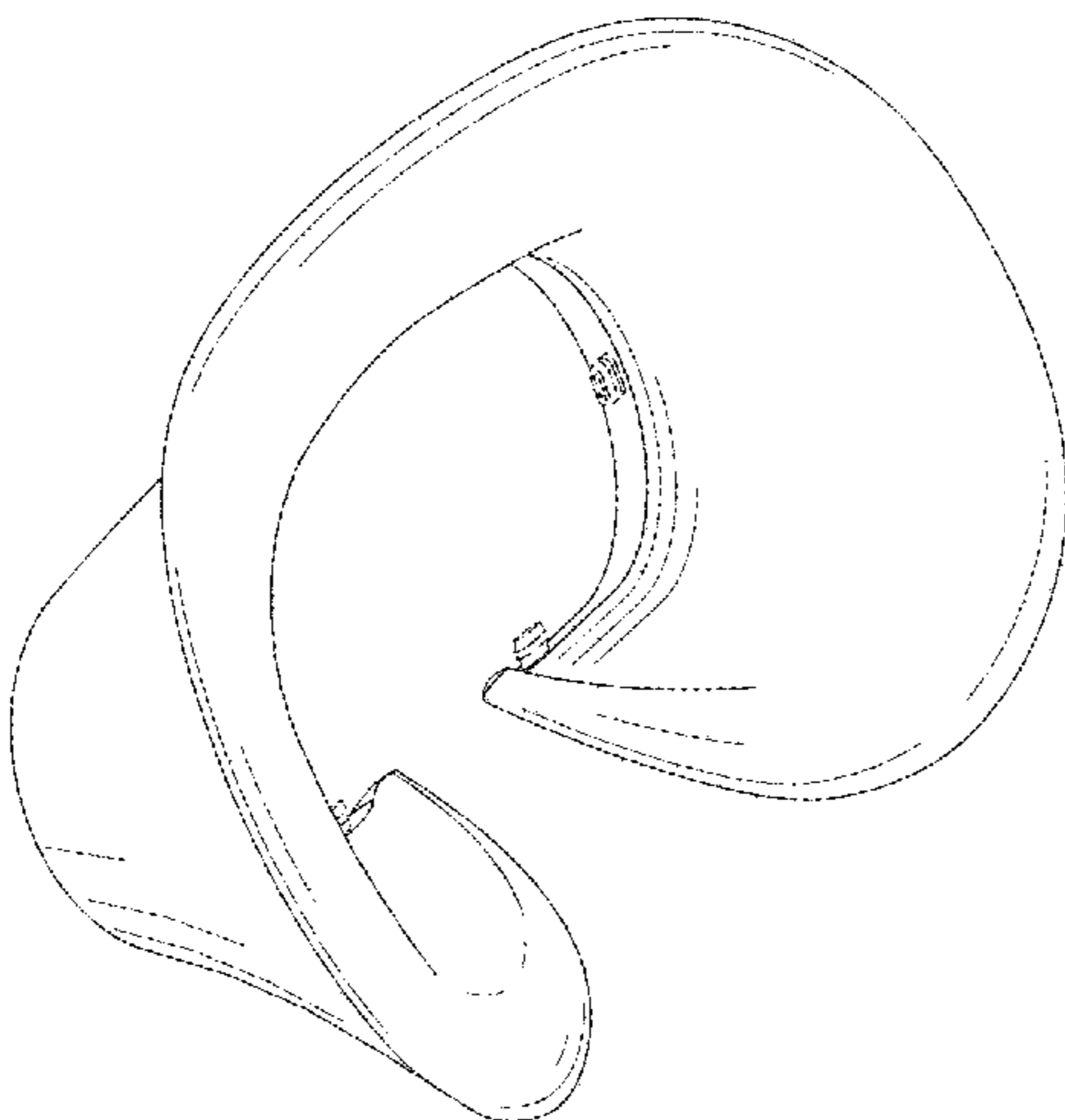
(57) **CLAIM**

The ornamental design for an eyeshade for head mounted display device, as shown and described.

DESCRIPTION

FIG. 1 is a front view of an eyeshade for head mounted display device bearing the design;
FIG. 2 is a back view thereof;
FIG. 3 is a left side view thereof;
FIG. 4 is a right side view thereof;
FIG. 5 is a top view thereof;
FIG. 6 is a bottom view thereof;
FIG. 7 is a front-left perspective view thereof; and,
FIG. 8 is a back-right perspective view thereof.
The broken lines shown in the drawings form no part of the claimed design.

1 Claim, 7 Drawing Sheets



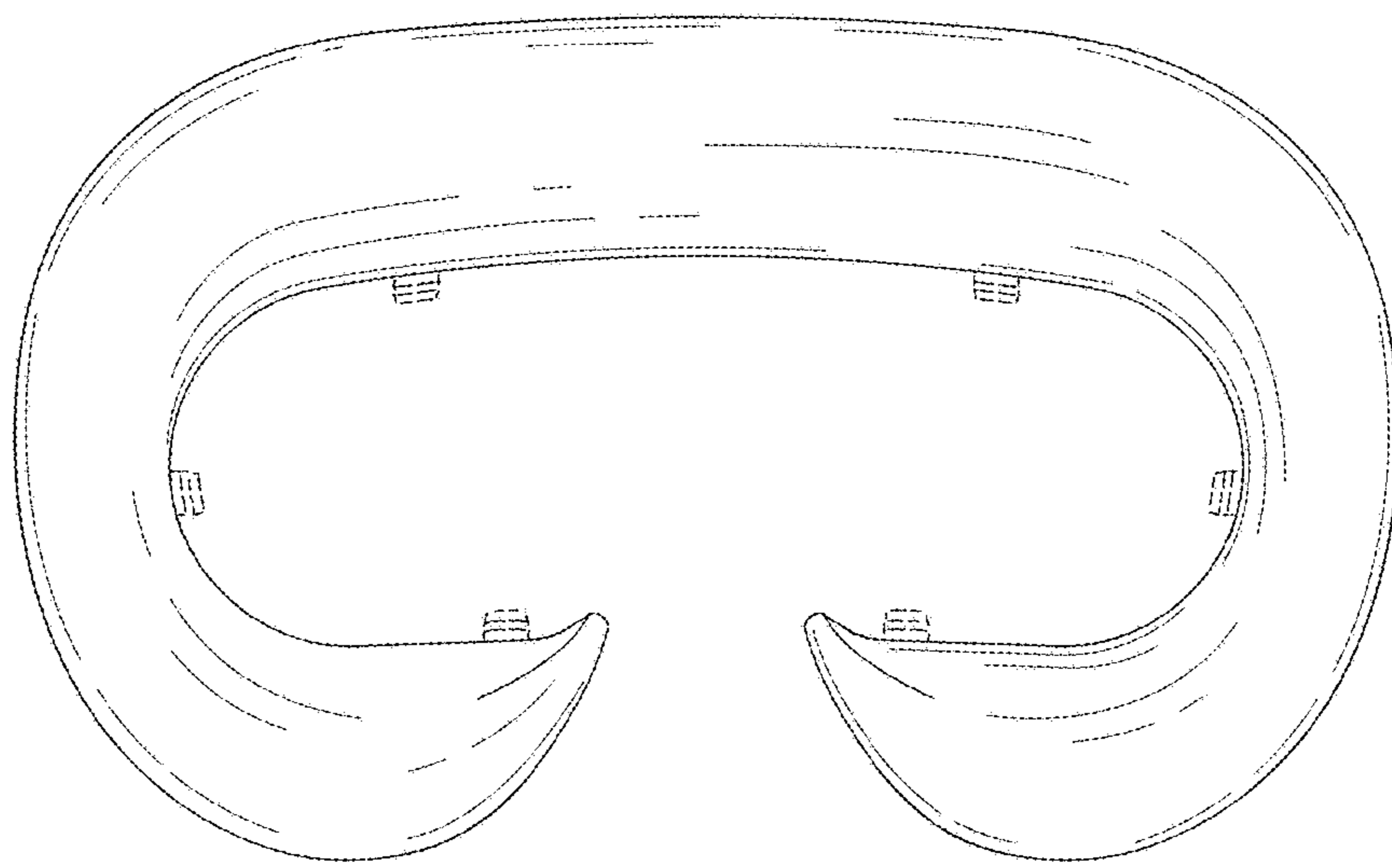


FIG.1

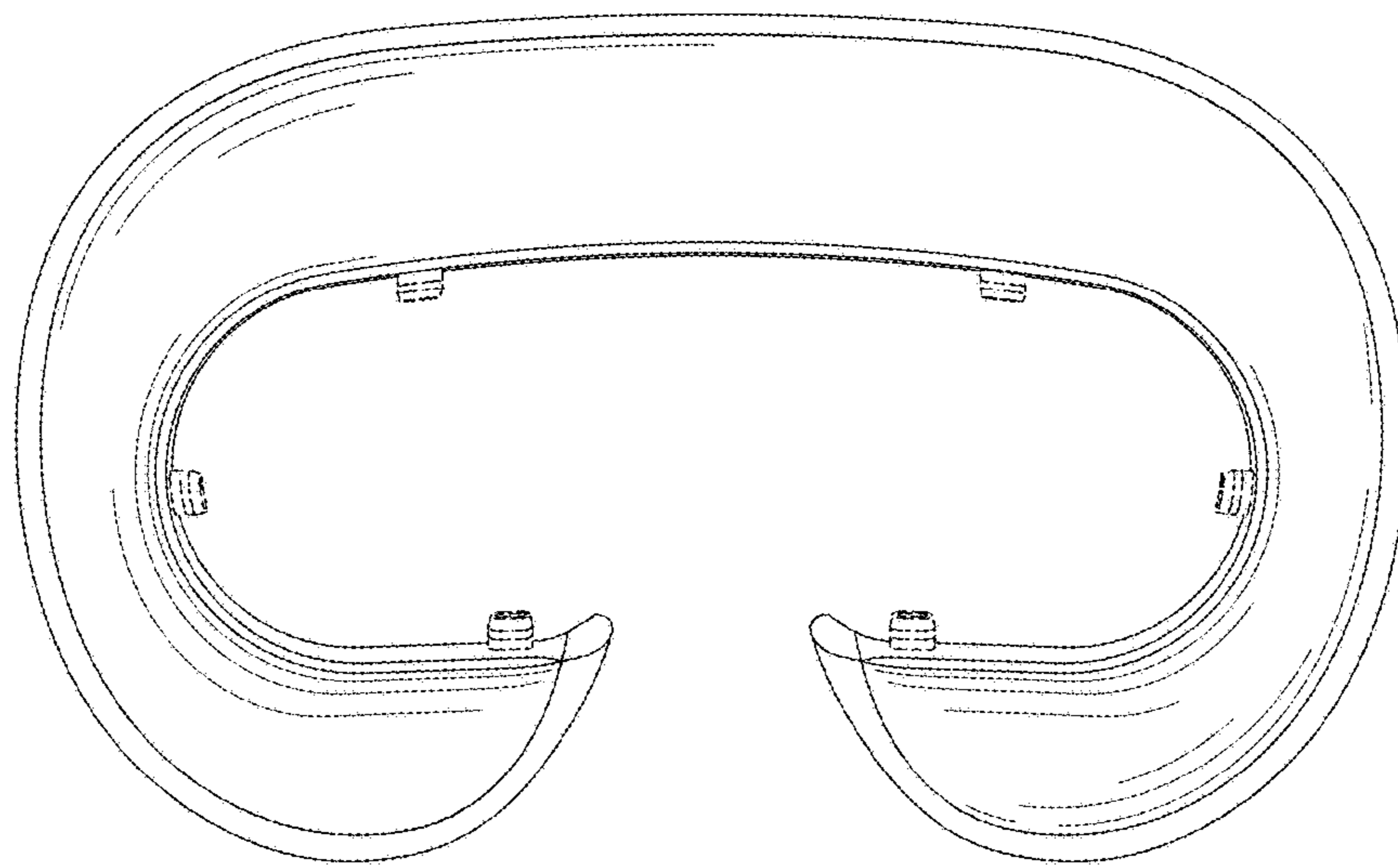


FIG.2

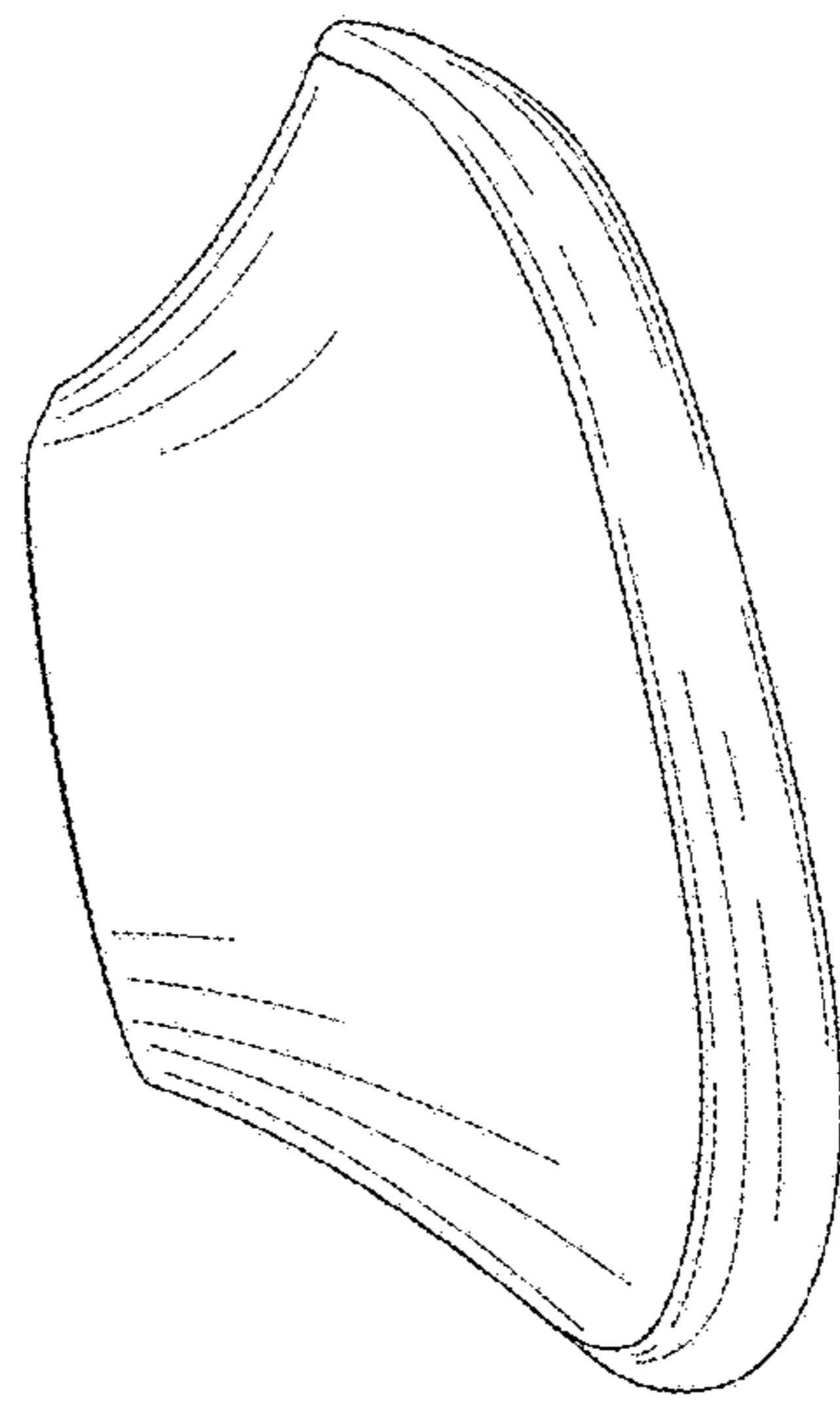


FIG.3

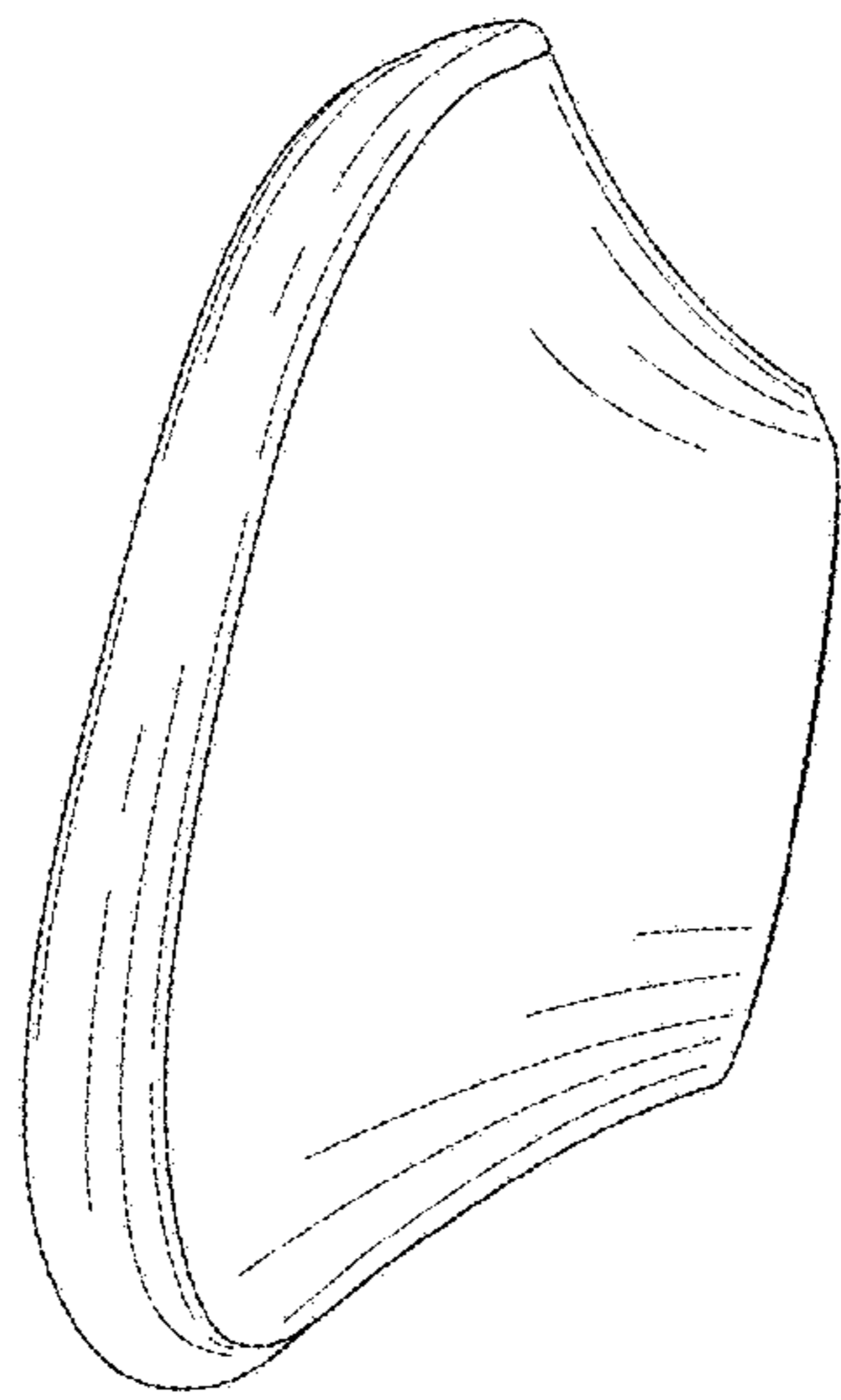


FIG.4

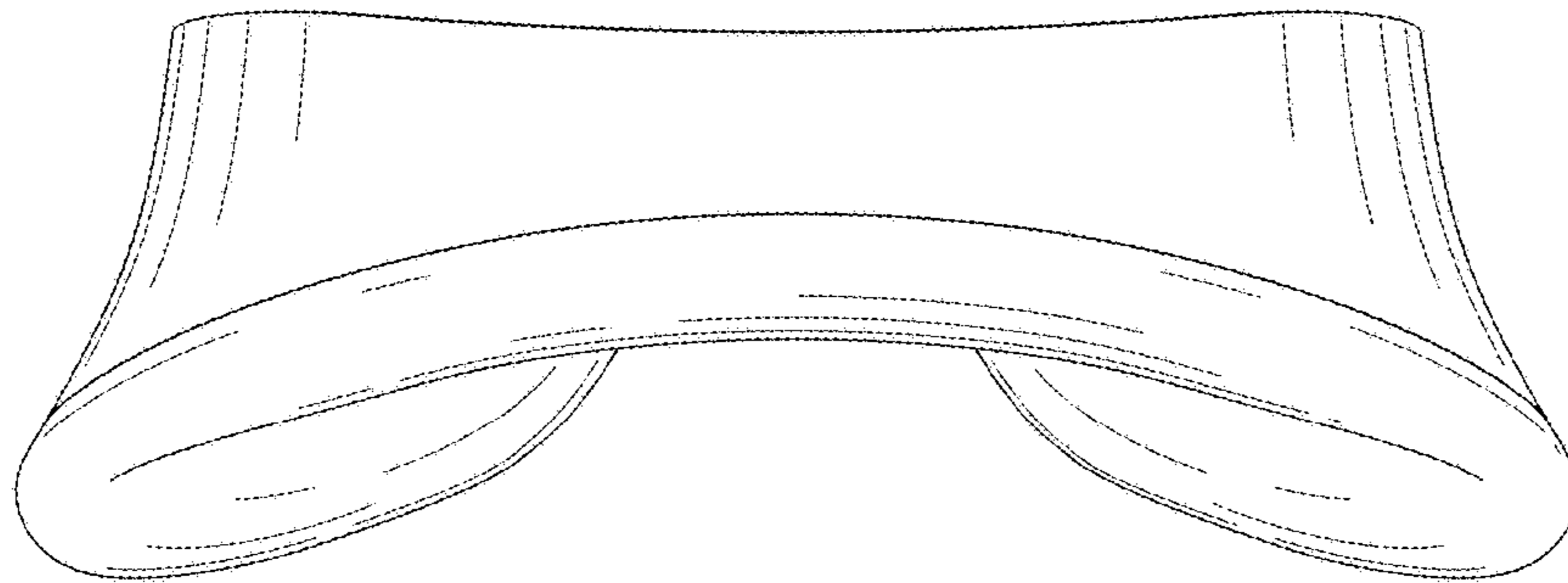


FIG. 5

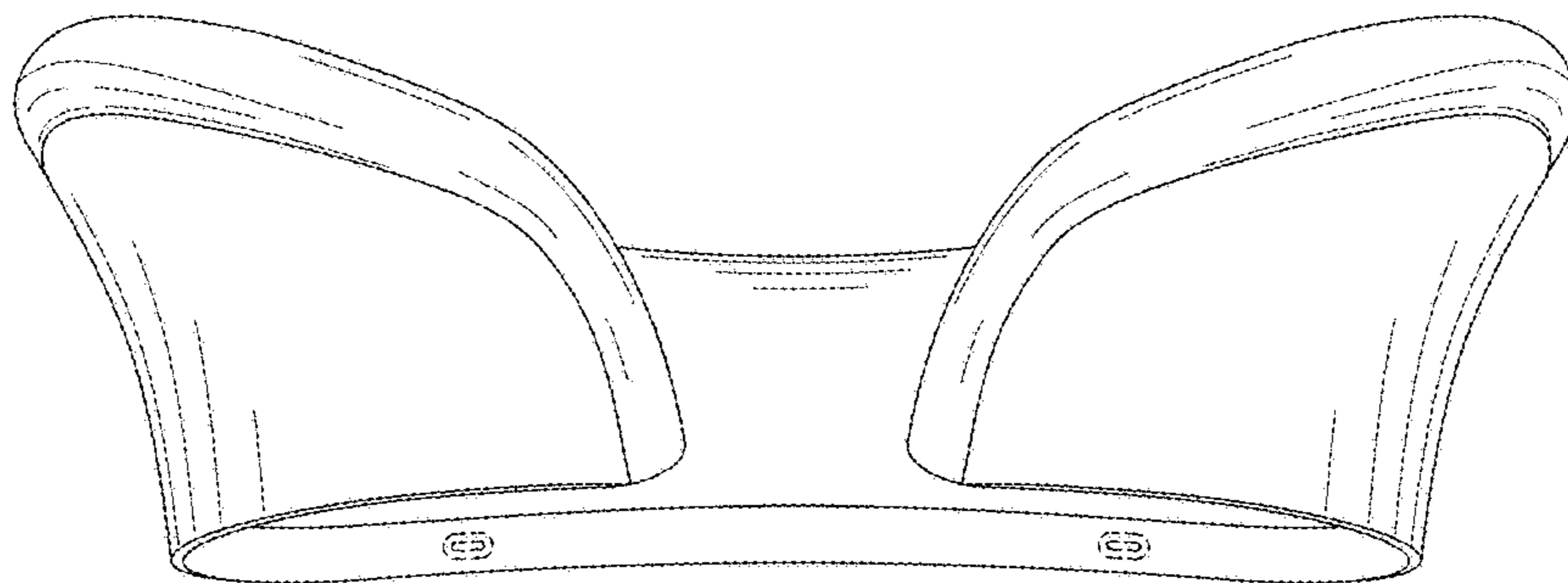


FIG. 6

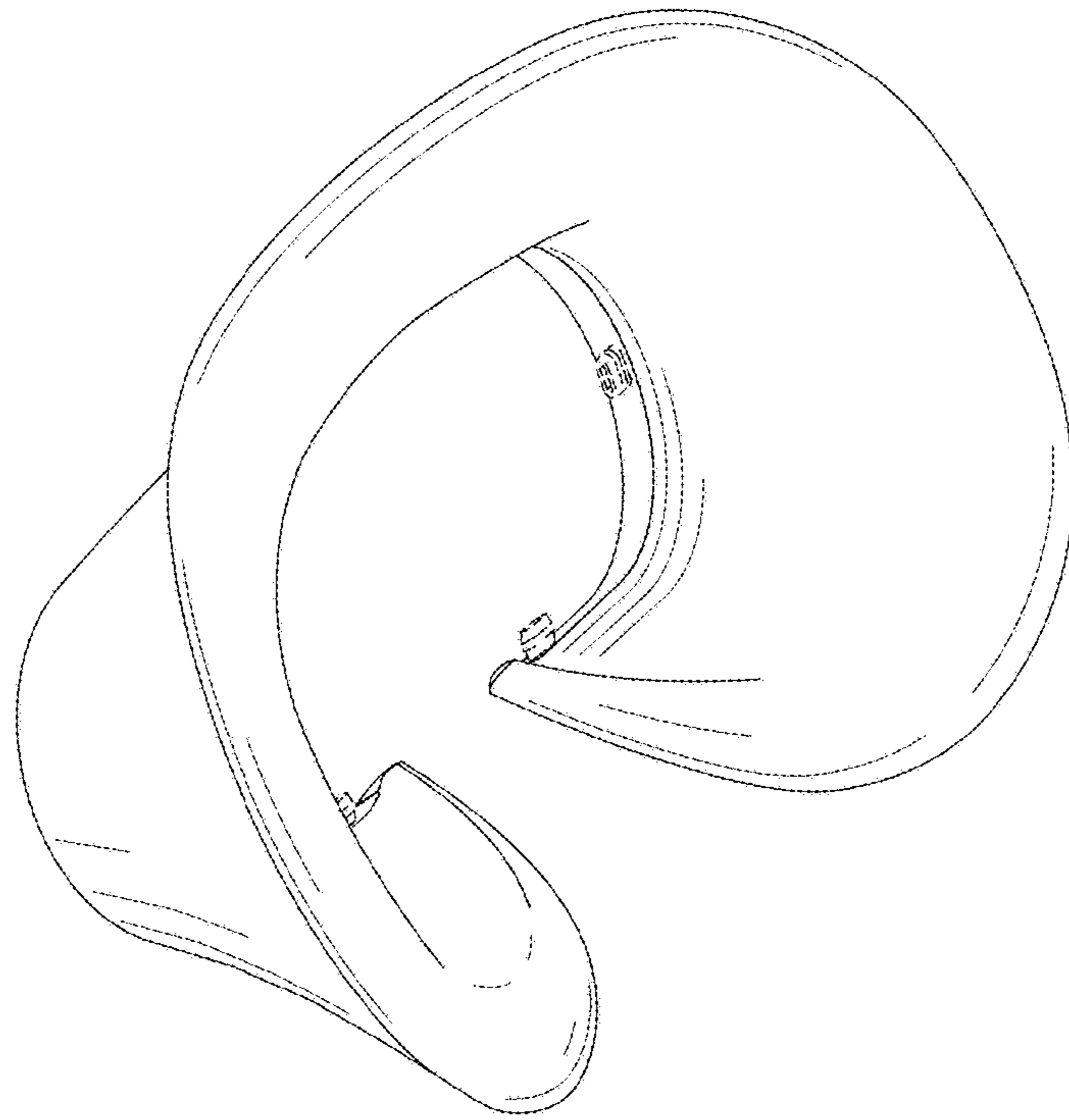


FIG.7

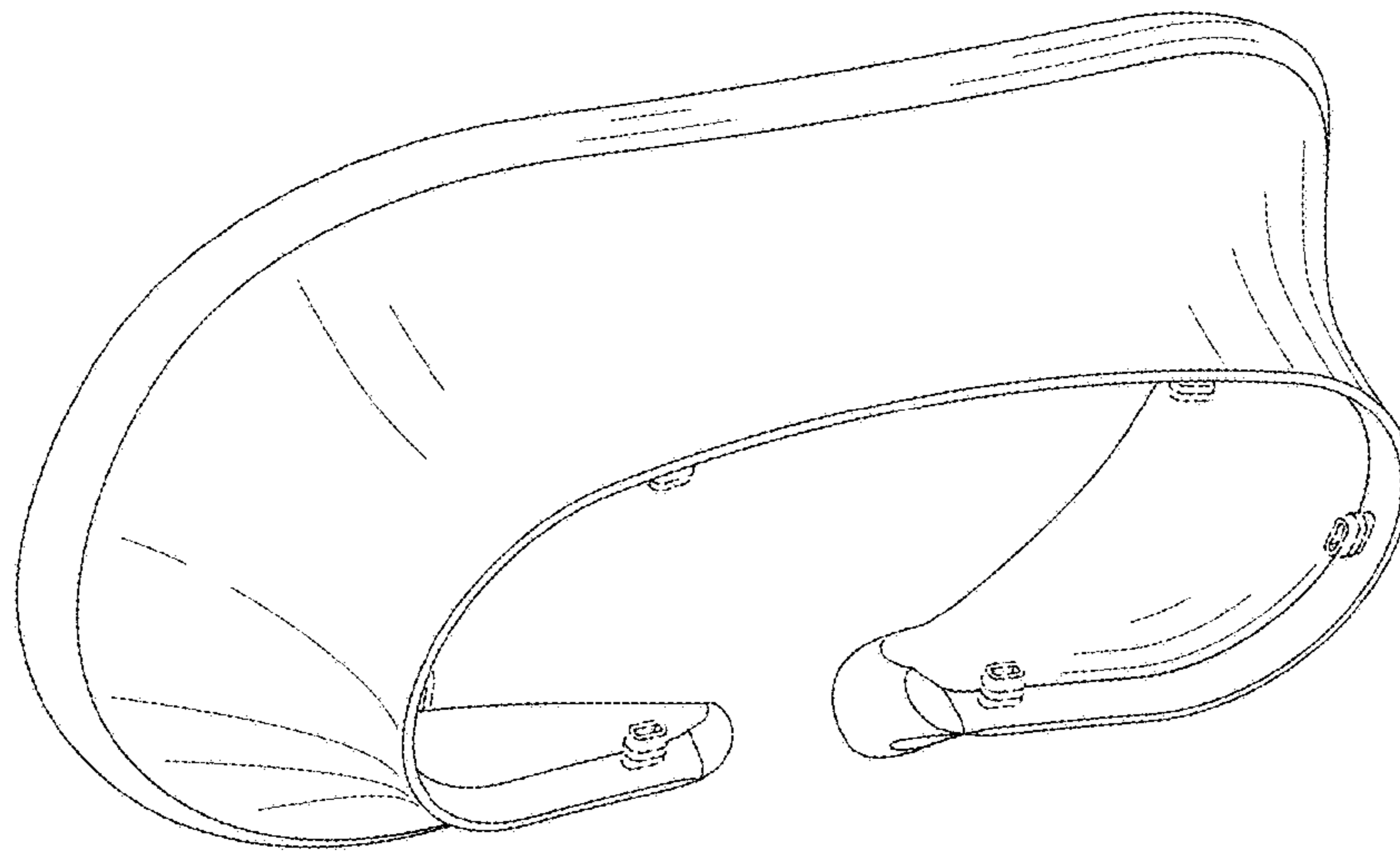


FIG.8