

US00D862466S

(12) **United States Design Patent**
He

(10) **Patent No.:** **US D862,466 S**

(45) **Date of Patent:** **** Oct. 8, 2019**

(54) **AUGMENTED REALITY GLASSES**

(71) Applicant: **Tairuo Technology (Beijing) Co., Ltd.**,
Beijing (CN)

(72) Inventor: **Yue He**, Beijing (CN)

(73) Assignee: **Tairuo Technology (Beijing) Co., Ltd.**,
Beijing (CN)

(**) Term: **15 Years**

(21) Appl. No.: **29/649,337**

(22) Filed: **May 29, 2018**

(30) **Foreign Application Priority Data**

May 17, 2018 (CN) 2018 3 0228148

(51) **LOC (12) Cl.** **14-02**

(52) **U.S. Cl.**
USPC **D14/372**

(58) **Field of Classification Search**

USPC D14/372, 496, 432, 371, 125, 126, 129,
D14/299; D16/300-342; 351/158, 153,
351/144; 345/7-9, 905; 455/344;
348/115, 53, 121, 739

CPC G02B 27/017; G02B 27/0158; G02B
27/0161; G02B 27/0181; G02B 27/0185;
G02B 27/0189

See application file for complete search history.

(56) **References Cited**

U.S. PATENT DOCUMENTS

D766,895 S * 9/2016 Choi D14/372
9,716,874 B2 * 7/2017 Jacobs G02B 27/017

D797,733 S * 9/2017 Lee D14/372
D797,735 S * 9/2017 Fraser D14/372
D800,727 S * 10/2017 Mullins D14/372
D827,701 S * 9/2018 Nguyen D16/309
D831,027 S * 10/2018 Kim D14/372
D833,500 S * 11/2018 Su D16/130
D836,629 S * 12/2018 Maffucci D14/372
D839,340 S * 1/2019 Zargari D16/338
D840,398 S * 2/2019 Li D14/372
2016/0057339 A1 * 2/2016 Raffle G06K 9/00281
348/222.1

* cited by examiner

Primary Examiner — Austin Murphy

(74) *Attorney, Agent, or Firm* — Shumaker & Sieffert,
P.A.

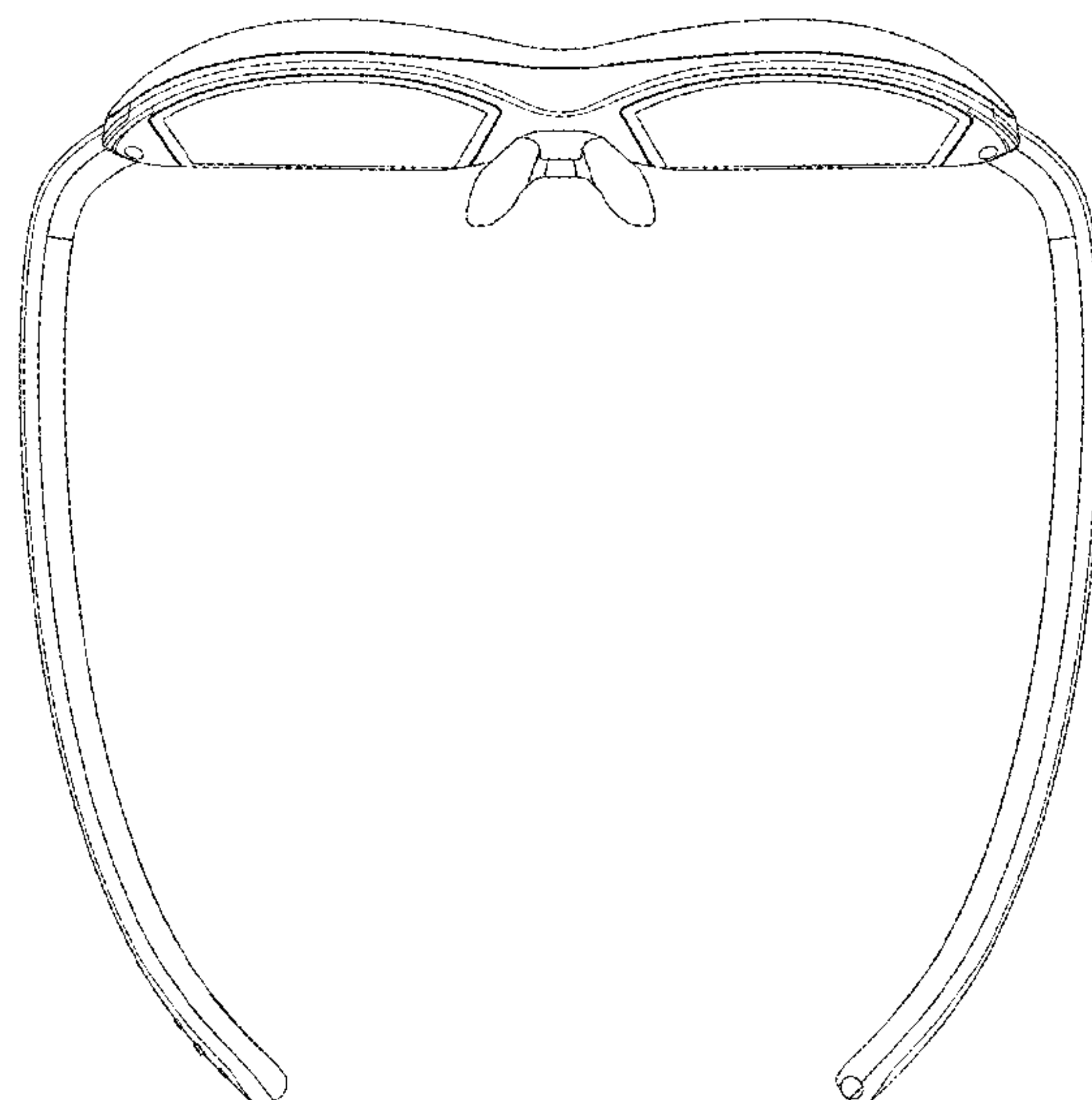
(57) **CLAIM**

The ornamental design for an augmented reality glasses, as shown.

DESCRIPTION

FIG. 1 is a top, rear, and right side perspective view of the augmented reality glasses showing my new design; FIG. 2 is a front elevational view thereof; FIG. 3 is a left side elevational view thereof; FIG. 4 is a right side elevational view thereof; FIG. 5 is a rear elevational view thereof; FIG. 6 is a top plan view thereof; and FIG. 7 is a bottom plan view thereof; and, FIG. 8 is a bottom, rear and right side perspective view of the augmented reality glasses shown in FIGS. 1-7.

1 Claim, 8 Drawing Sheets



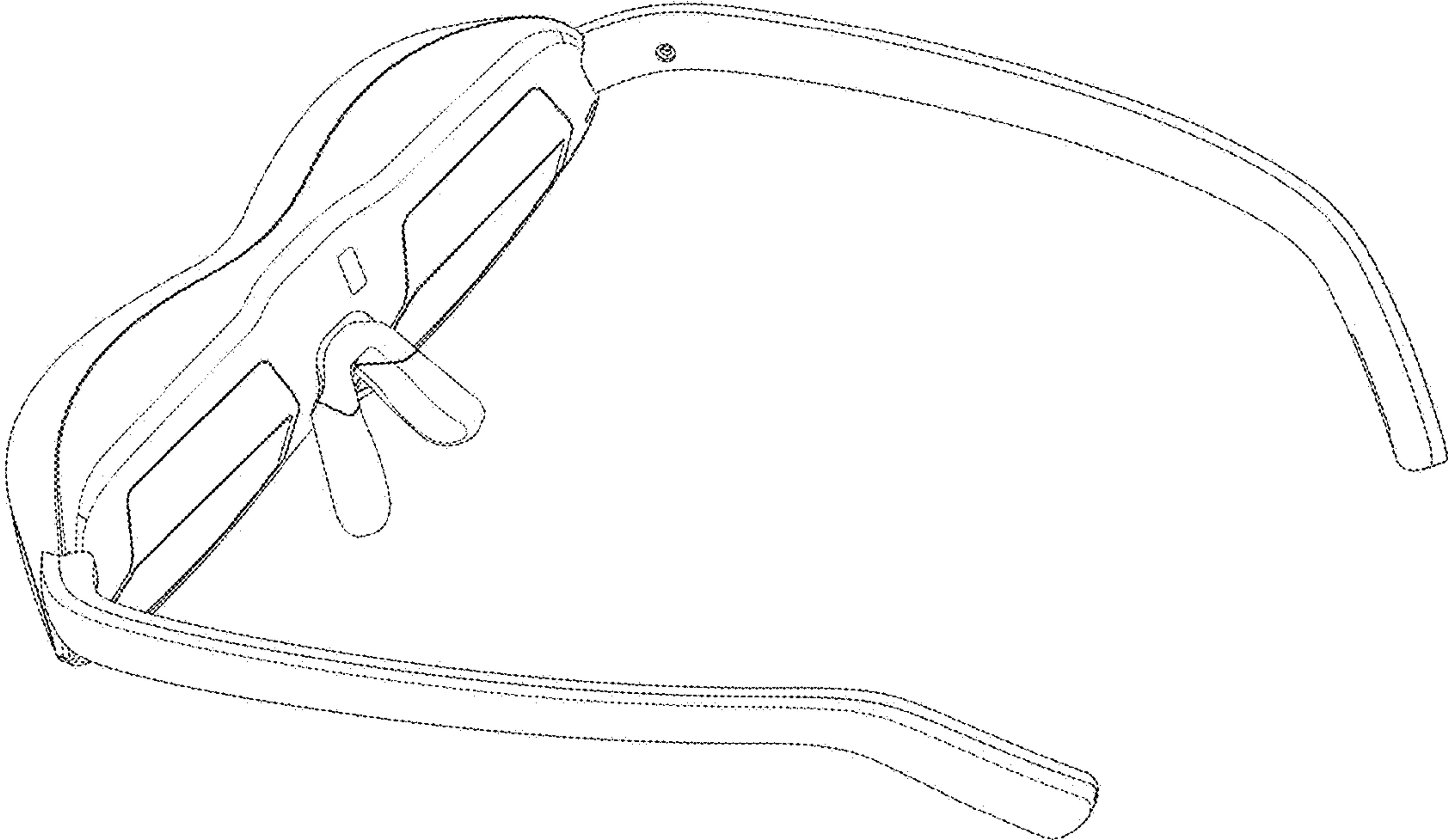


FIG. 1

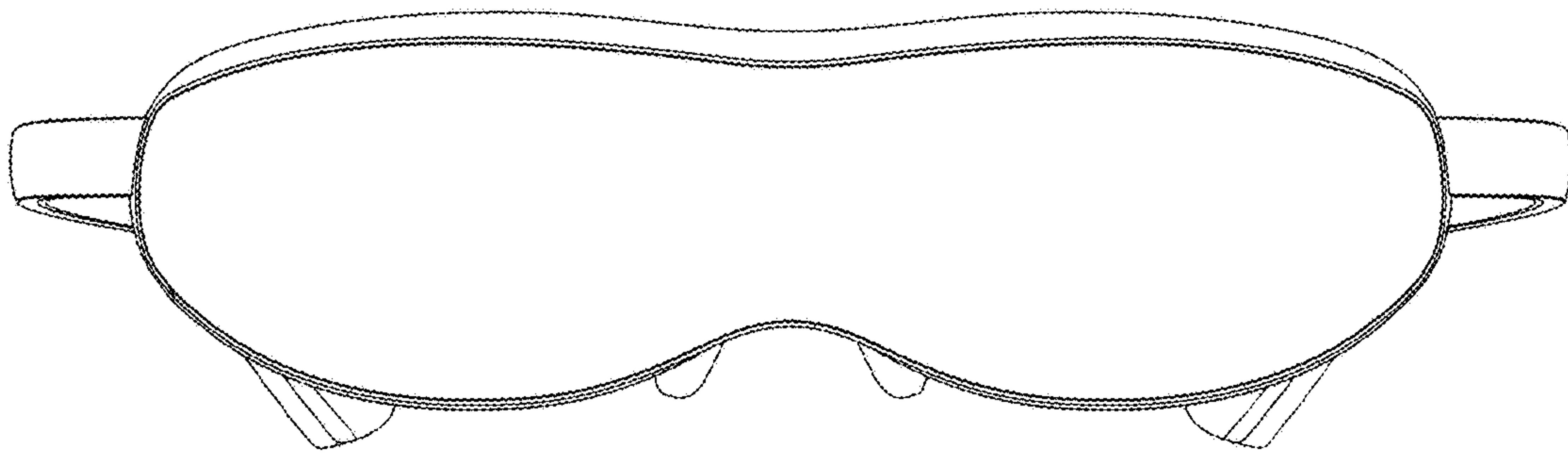


FIG. 2

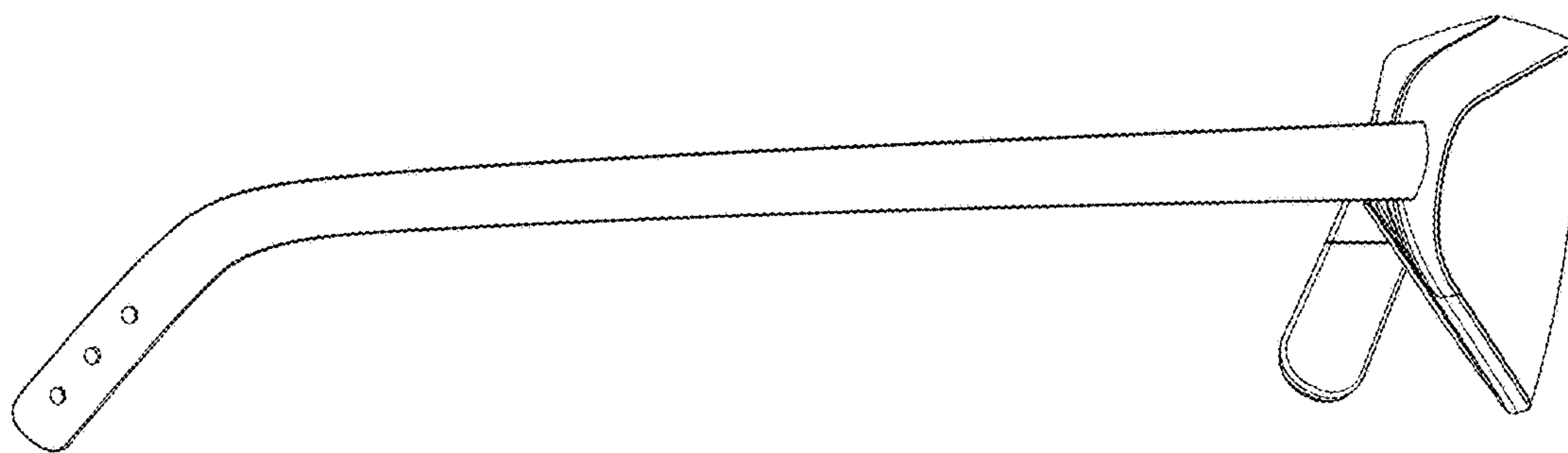


FIG. 3

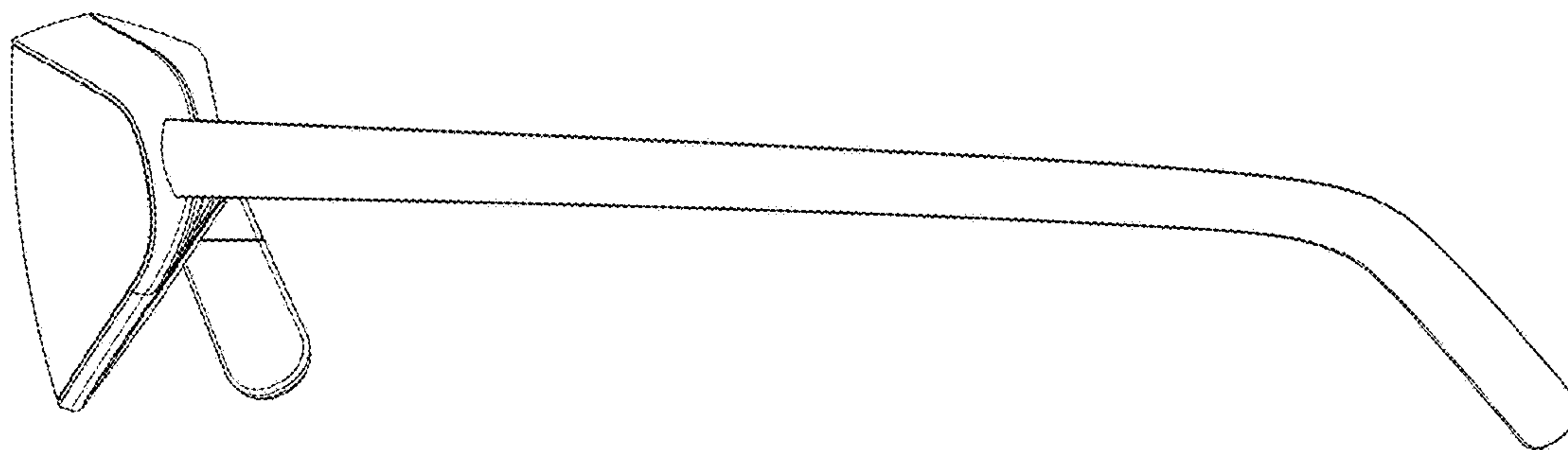


FIG. 4

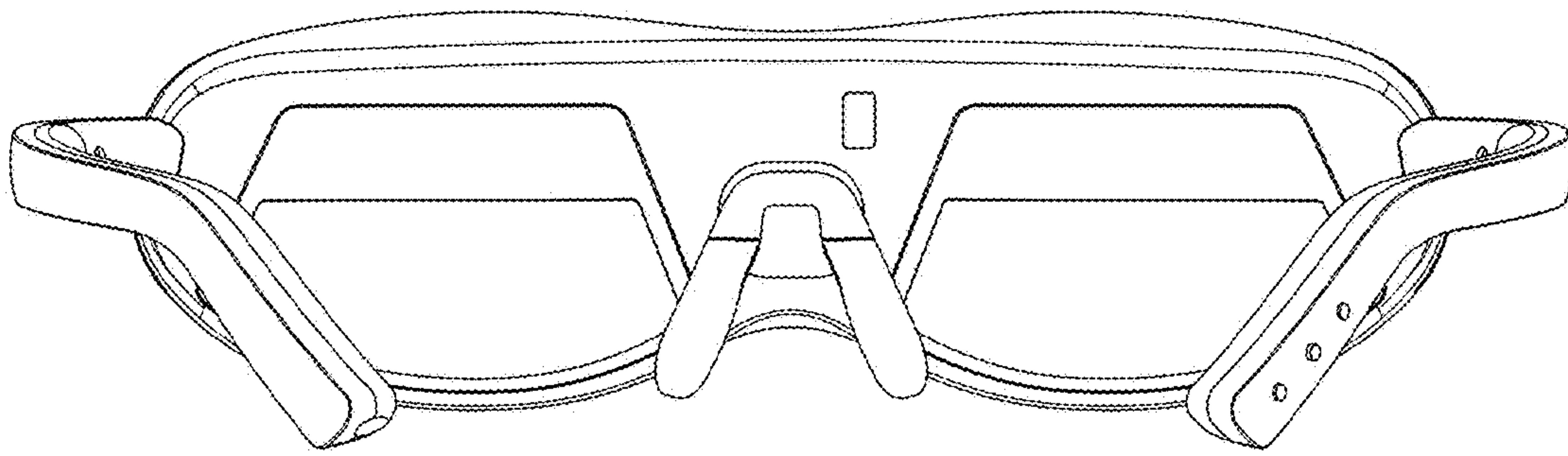


FIG. 5

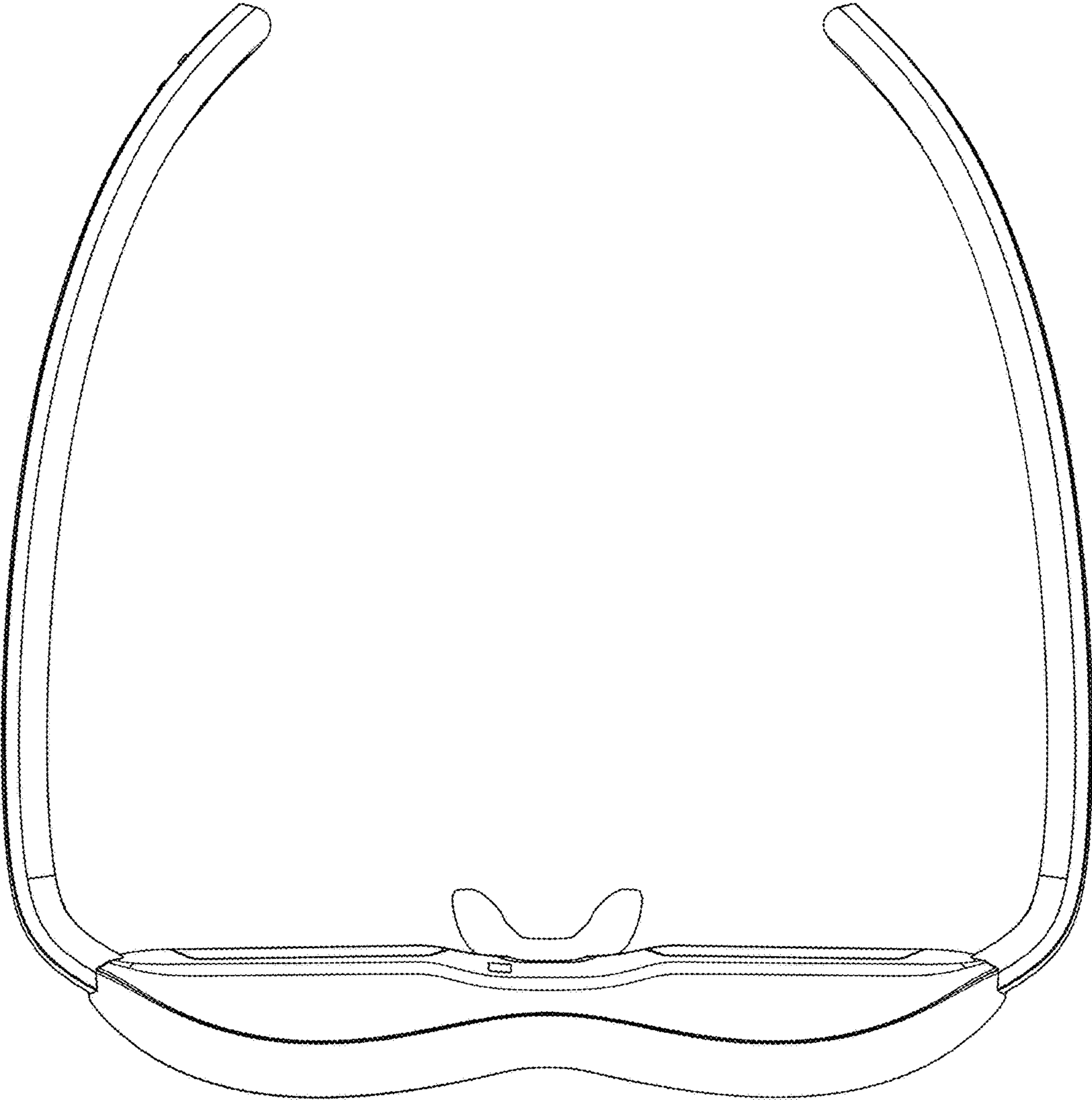


FIG. 6

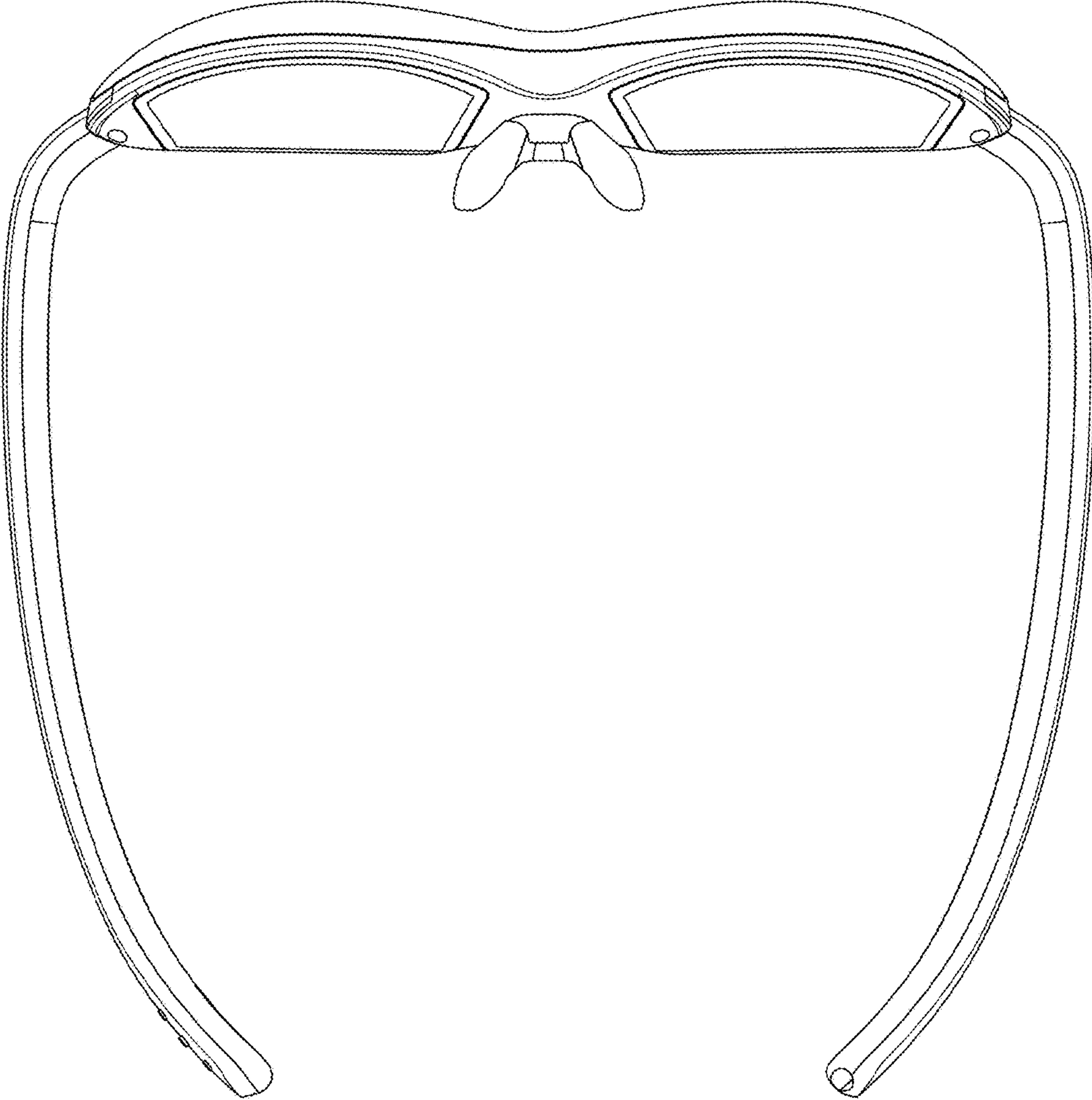


FIG. 7

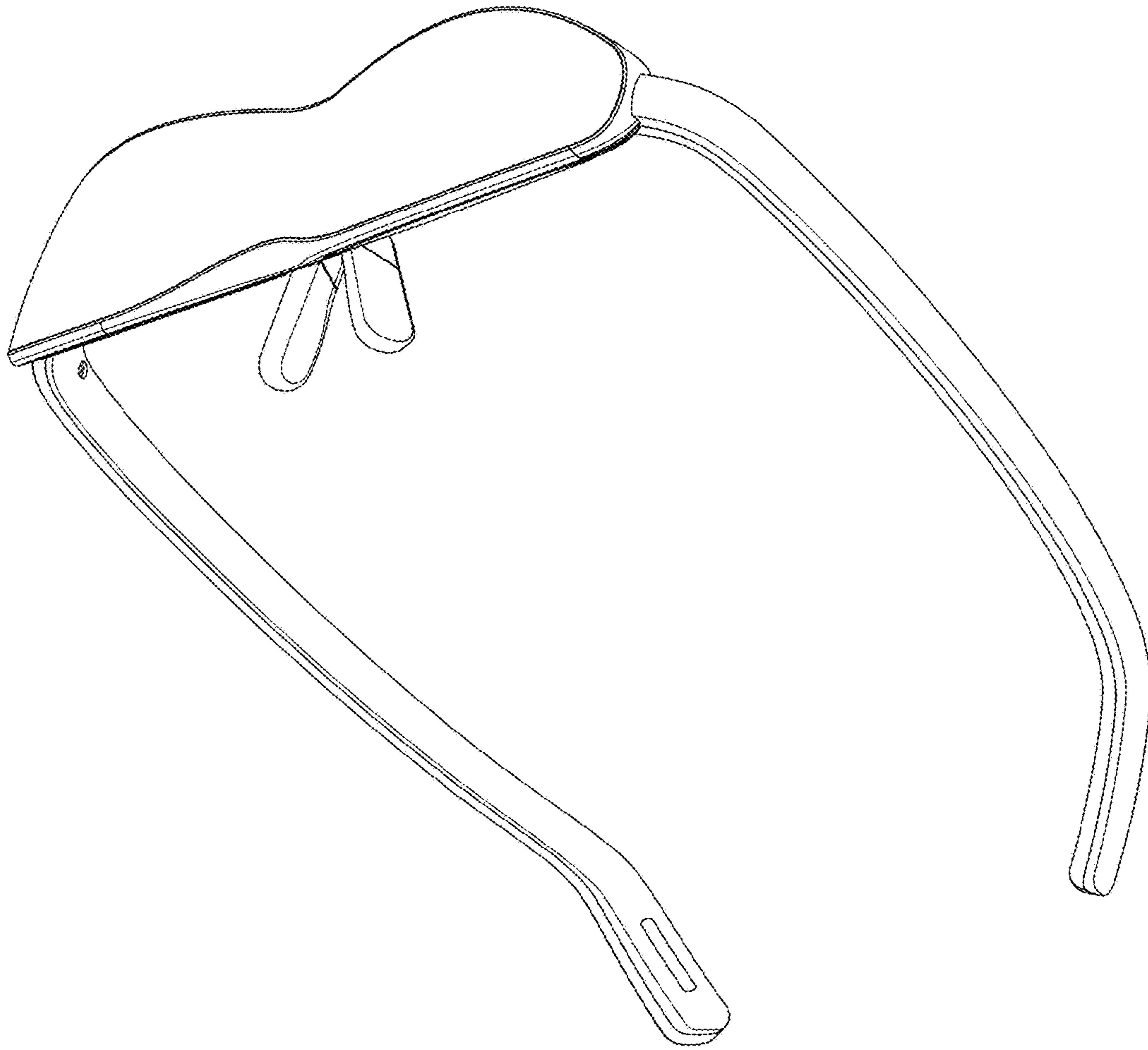


FIG. 8