



US00D862464S

(12) **United States Design Patent** (10) **Patent No.:** **US D862,464 S**
Natsume et al. (45) **Date of Patent:** **** Oct. 8, 2019**

(54) **HEAD MOUNTED AUDIO-VISUAL DISPLAY SYSTEM**

(71) Applicant: **MAGIC LEAP, INC.**, Plantation, FL (US)

(72) Inventors: **Shigeru Natsume**, Weston, FL (US); **Haney Awad**, Fort Lauderdale, FL (US); **Bradley Fraser**, Miami Beach, FL (US); **Michael John Slipy**, Plantation, FL (US); **Sebastian Gonzalo Arrieta Gunther**, Fort Lauderdale, FL (US); **Masamune Kaji**, Plantation, FL (US); **William Wheeler**, Fort Lauderdale, FL (US)

(73) Assignee: **Magic Leap, Inc.**, Plantation, FL (US)

(**) Term: **15 Years**

(21) Appl. No.: **29/584,739**

(22) Filed: **Nov. 16, 2016**

(51) **LOC (12) Cl.** **14-02**

(52) **U.S. Cl.**
USPC **D14/372**

(58) **Field of Classification Search**
USPC D14/372, 496, 432, 371, 125, 126, 129, D14/299; D16/300-342; 351/158, 153, 351/144; 345/7-9, 905; 455/344; 348/115, 53, 121, 739
CPC G02B 27/017; G02B 27/0158; G02B 27/0161; G02B 27/0181; G02B 27/0185; G02B 27/0189
See application file for complete search history.

(56) **References Cited**

U.S. PATENT DOCUMENTS

D514,613 S * 2/2006 Jannard D16/309
D685,019 S * 6/2013 Li D16/309

D718,366 S * 11/2014 Mehin D16/300
D734,807 S * 7/2015 Wu D16/306
D746,818 S * 1/2016 Cho D14/372
D762,212 S * 7/2016 Iritani D14/372
D773,552 S * 12/2016 Champ D16/312
D776,111 S 1/2017 Baldassi et al.
D780,752 S 3/2017 Park et al.
D781,290 S 3/2017 Kim et al.
D795,952 S * 8/2017 Natsume D16/309
D796,503 S * 9/2017 Natsume D14/372
D796,504 S * 9/2017 Natsume D14/372
D796,505 S * 9/2017 Natsume D14/372
D796,506 S * 9/2017 Natsume D14/372
D797,735 S * 9/2017 Fraser D14/372
D798,862 S 10/2017 Wang

(Continued)

OTHER PUBLICATIONS

Design application specification and drawings for U.S. Appl. No. 29/575,027, filed Aug. 22, 2016, Inventor Bradley Fraser et al., entitled "Mixed Reality Head Mounted Display" 9 pages.

(Continued)

Primary Examiner — Austin Murphy

(74) *Attorney, Agent, or Firm* — Vista IP Law Group LLP

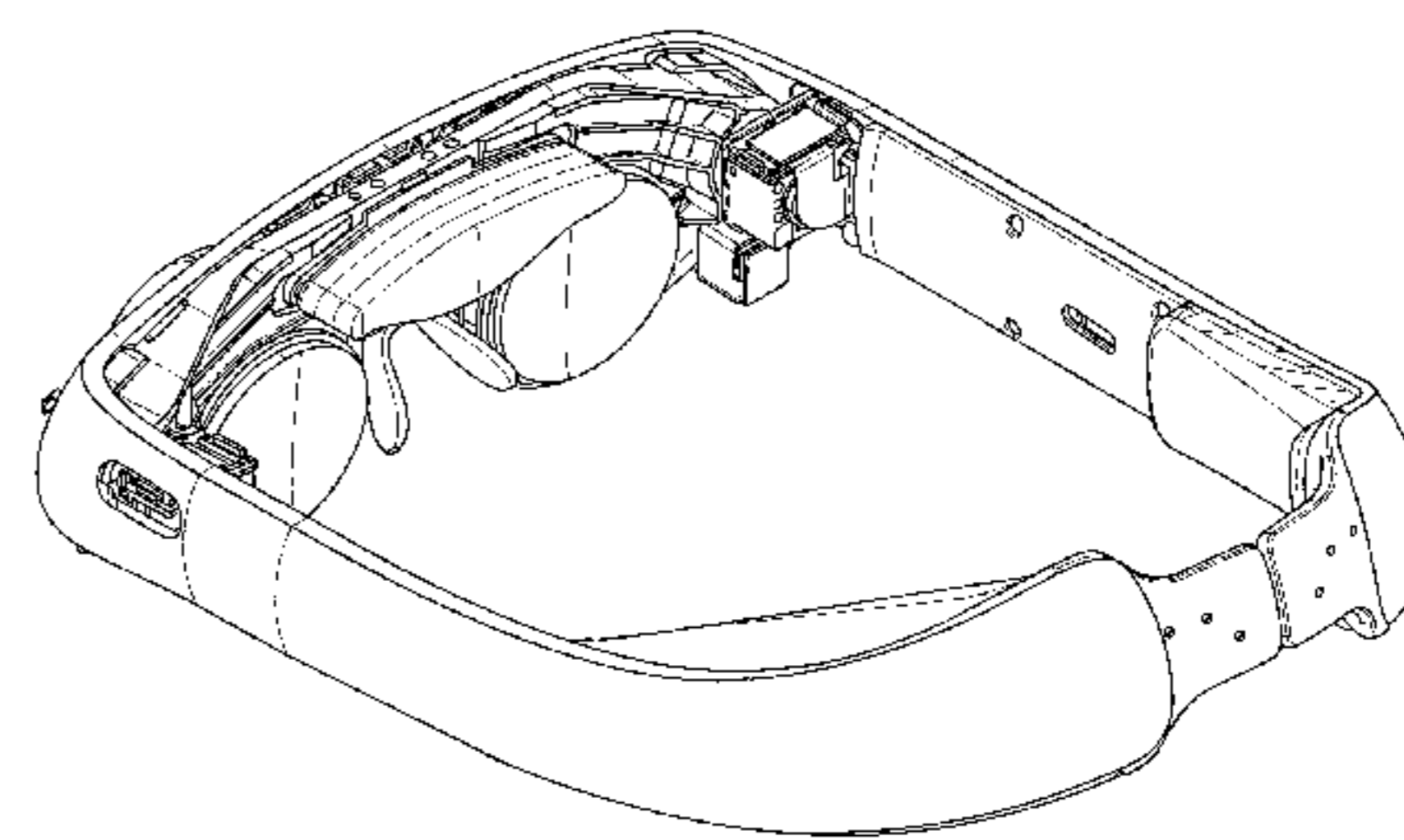
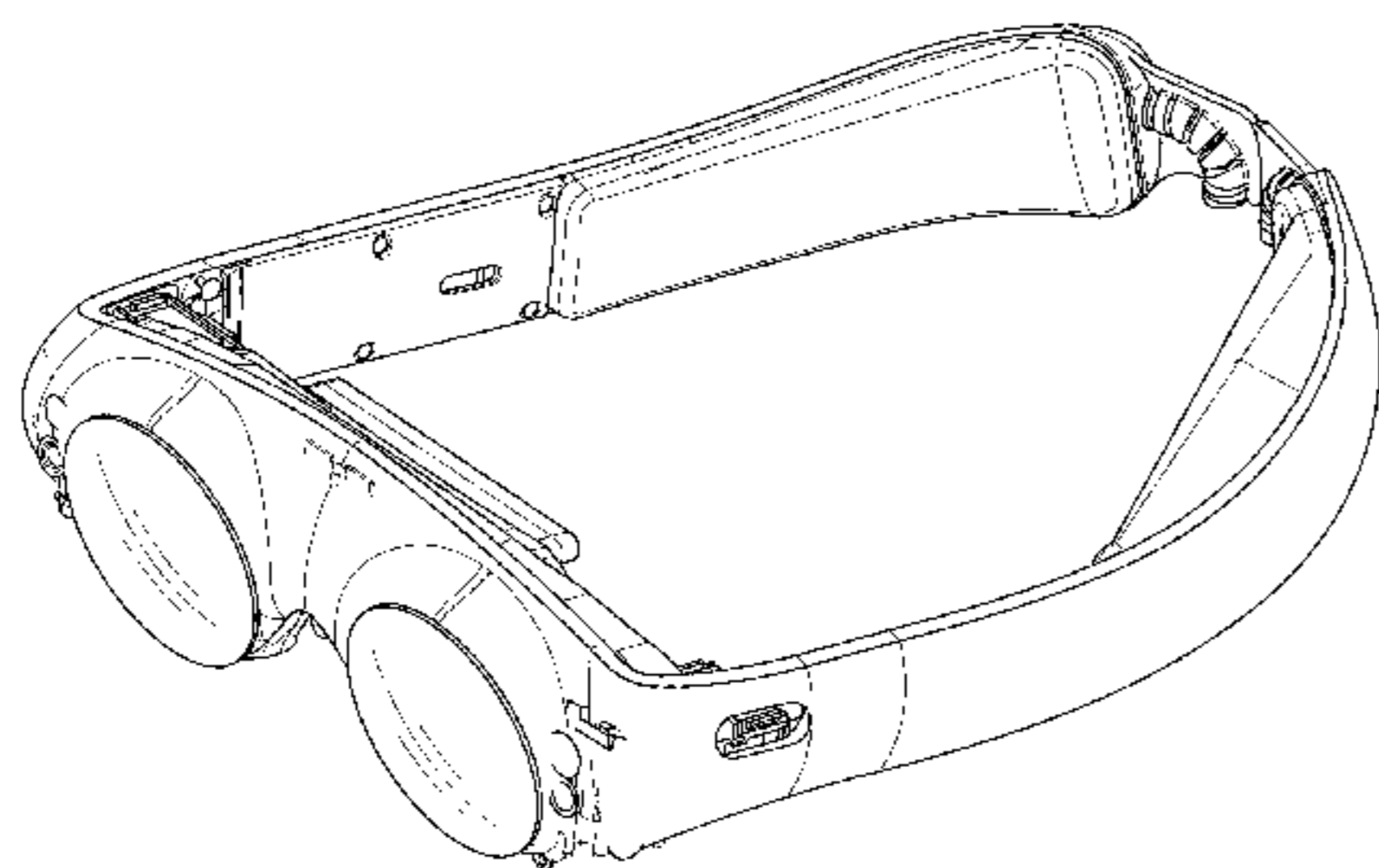
(57) **CLAIM**

We claim the ornamental design for a head mounted audio-visual display system, as shown and described.

DESCRIPTION

FIG. 1 is a front perspective view of a head mounted audio-visual display system showing our design; FIG. 2 is a back perspective view thereof; FIG. 3 is a front view thereof; FIG. 4 is a rear view thereof; FIG. 5 is a left side view thereof; FIG. 6 is a right side view thereof; FIG. 7 is a top view thereof; and, FIG. 8 is a bottom view thereof.

1 Claim, 8 Drawing Sheets



(56)

References Cited

U.S. PATENT DOCUMENTS

D799,482 S 10/2017 Thomas
 D800,727 S 10/2017 Mullins et al.
 D805,072 S 12/2017 Seki
 D805,073 S 12/2017 Yee et al.
 D806,710 S 1/2018 Chen et al.
 D807,882 S 1/2018 Gribetz et al.
 D810,743 S 2/2018 Yee et al.
 D812,612 S 3/2018 Gribetz et al.
 D815,092 S * 4/2018 Liao D14/372
 D819,636 S 6/2018 Chen et al.
 D819,637 S 6/2018 Chen et al.
 D819,716 S 6/2018 Kim
 D820,258 S * 6/2018 Maw D14/372
 D825,561 S 8/2018 Gribetz
 D827,642 S 9/2018 Liu
 D831,027 S 10/2018 Kim
 D836,629 S 12/2018 Maffucci
 D838,719 S 1/2019 Wei
 D839,269 S 1/2019 Wang
 2009/0040296 A1 2/2009 Moscato
 2010/0245754 A1 * 9/2010 Matsumoto G02B 27/0176
 351/158
 2011/0255049 A1 * 10/2011 Corona G02C 11/00
 351/123
 2012/0033142 A1 2/2012 Thomson
 2012/0200935 A1 8/2012 Miyao
 2012/0218301 A1 8/2012 Miller
 2013/0234914 A1 9/2013 Fujimaki
 2013/0235331 A1 9/2013 Heinrich
 2014/0147829 A1 5/2014 Jerauld

2015/0355466 A1 12/2015 Border
 2016/0103339 A1 * 4/2016 White G02C 11/10
 351/123
 2016/0133201 A1 5/2016 Border

OTHER PUBLICATIONS

Notice of Allowance dated Jul. 31, 2018 for Design U.S. Appl. No. 29/650,868, 12 pages.
 Notice of Allowance dated Jul. 31, 2018 for Design U.S. Appl. No. 29/650,872, 12 pages.
 Notice of Allowance dated Jul. 31, 2018 for Design U.S. Appl. No. 29/653,570, 8 pages.
 Notice of Allowance dated Jul. 31, 2018 for Design U.S. Appl. No. 29/653,573, 8 pages.
 Notice of Allowance dated Jul. 31, 2018 for Design U.S. Appl. No. 29/653,575, 8 pages.
 Design application specification and drawings for U.S. Appl. No. 29/603,737, filed May 11, 2016, Inventor David Charles Lundmark, et al., entitled "Head Mounted Audio-Visual Display System Connection Cable" 25 pages.
 Notice of Allowance dated Apr. 15, 2019 for Design U.S. Appl. No. 29/655,175.
 Notice of Allowance dated Apr. 15, 2019 for Design U.S. Appl. No. 29/657,529.
 Notice of Allowance dated Apr. 16, 2019 for Design U.S. Appl. No. 29/657,530.
 Notice of Allowance dated Apr. 15, 2019 for Design U.S. Appl. No. 29/657,532.

* cited by examiner

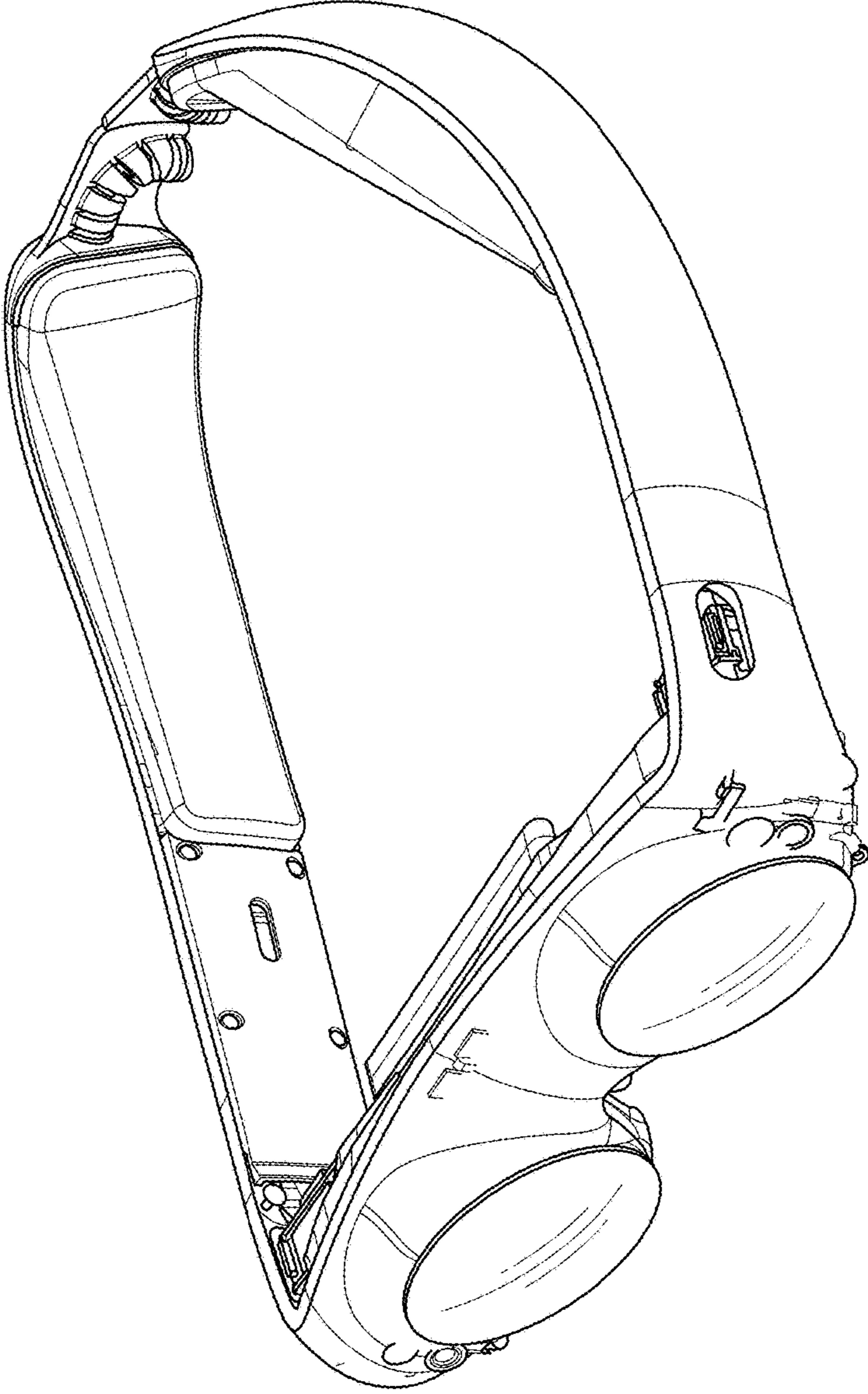


FIG. 1

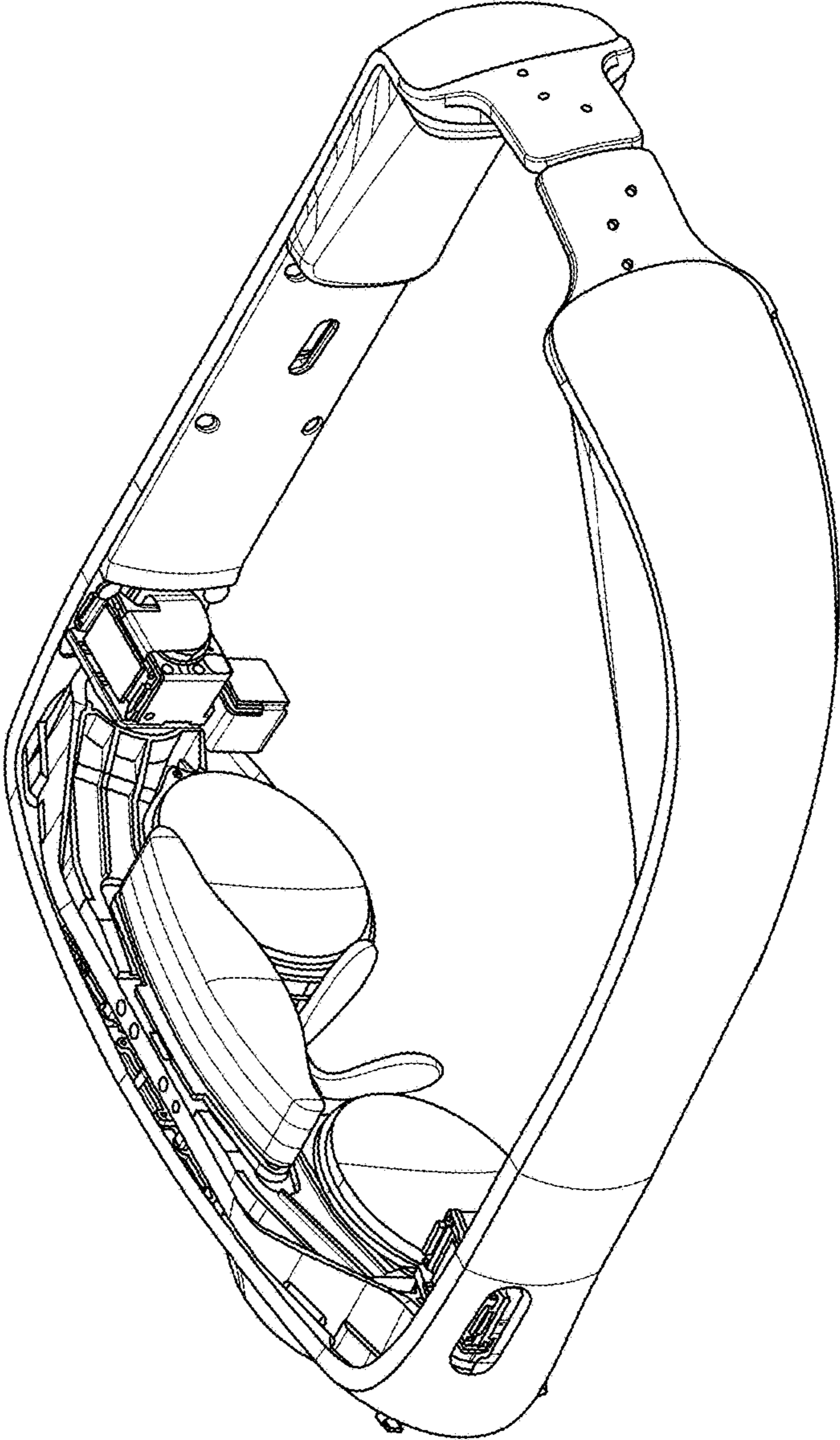


FIG. 2

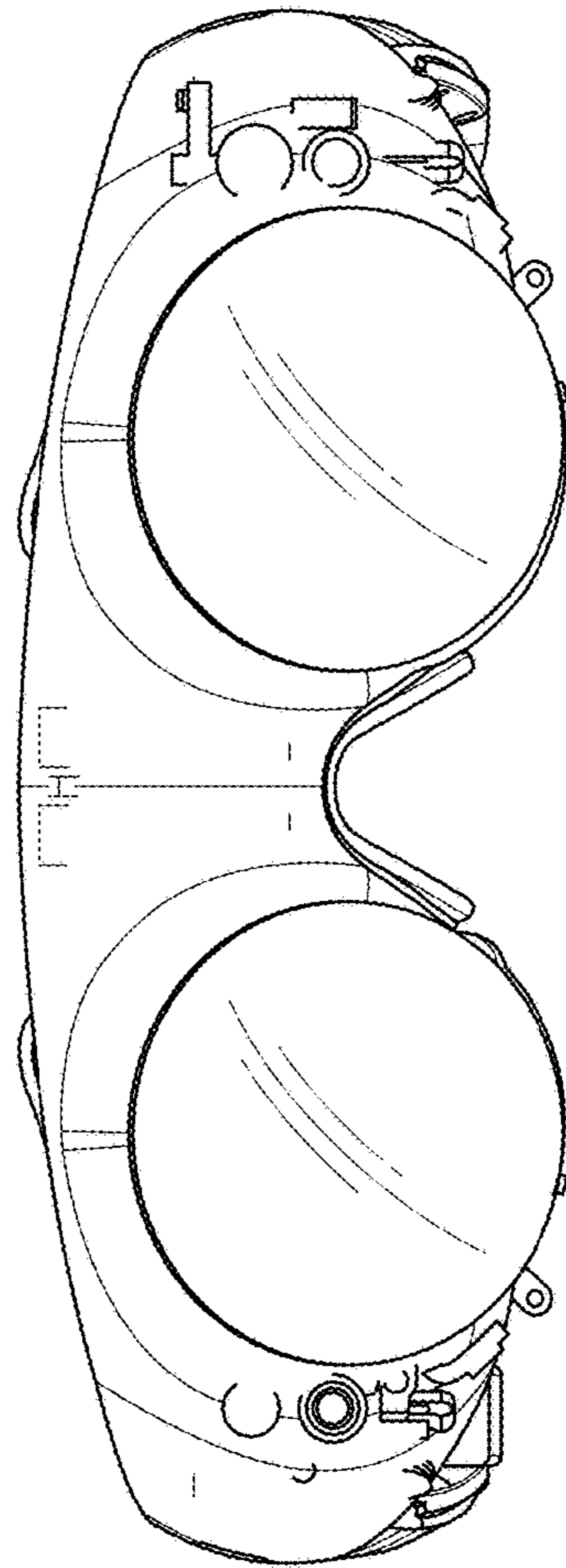


FIG. 3

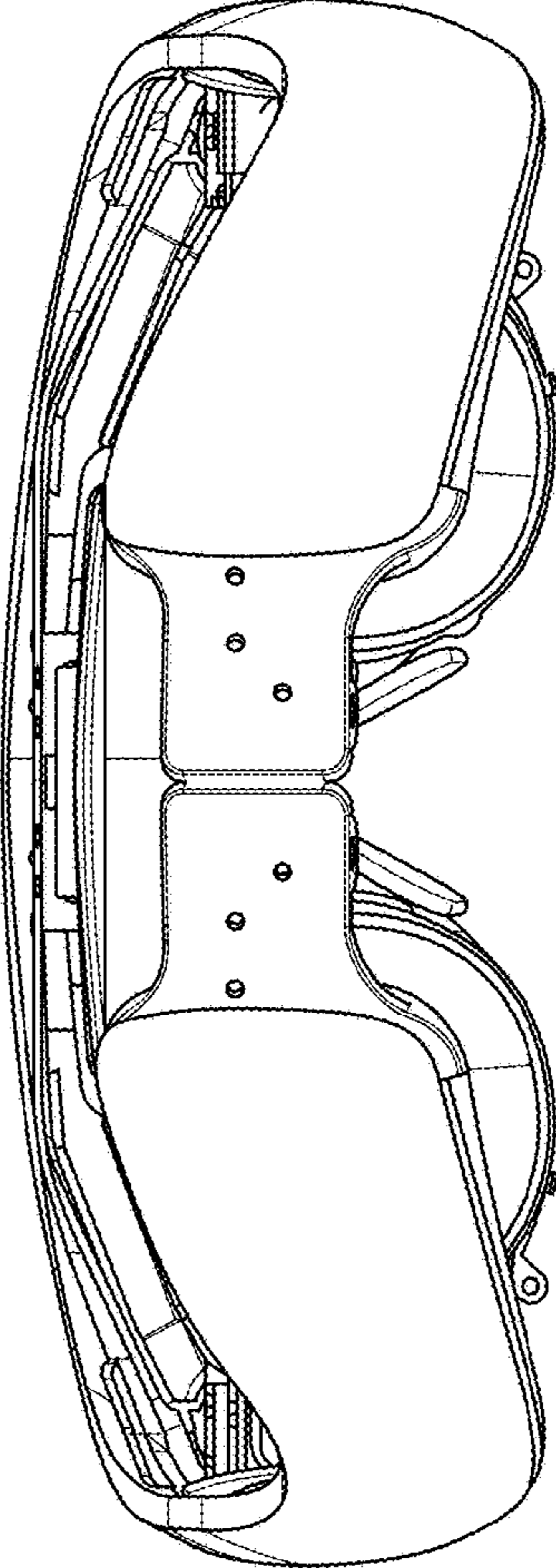


FIG. 4

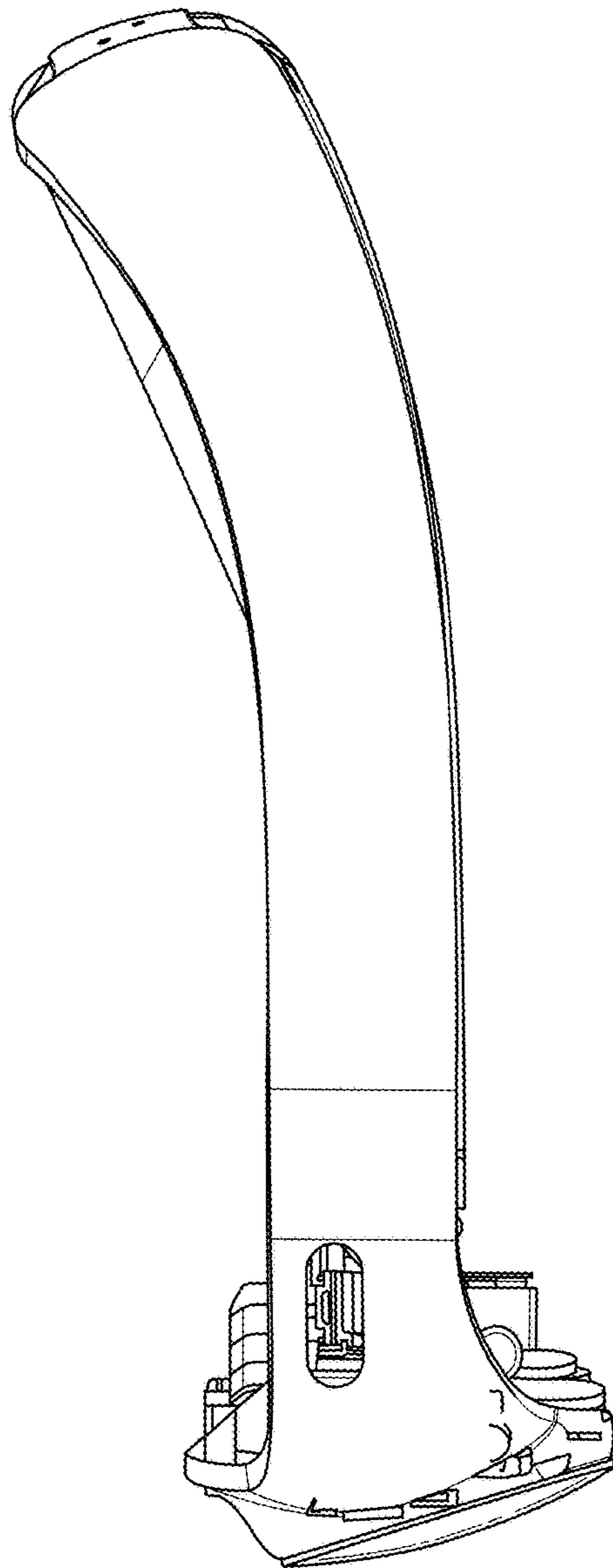


FIG. 5

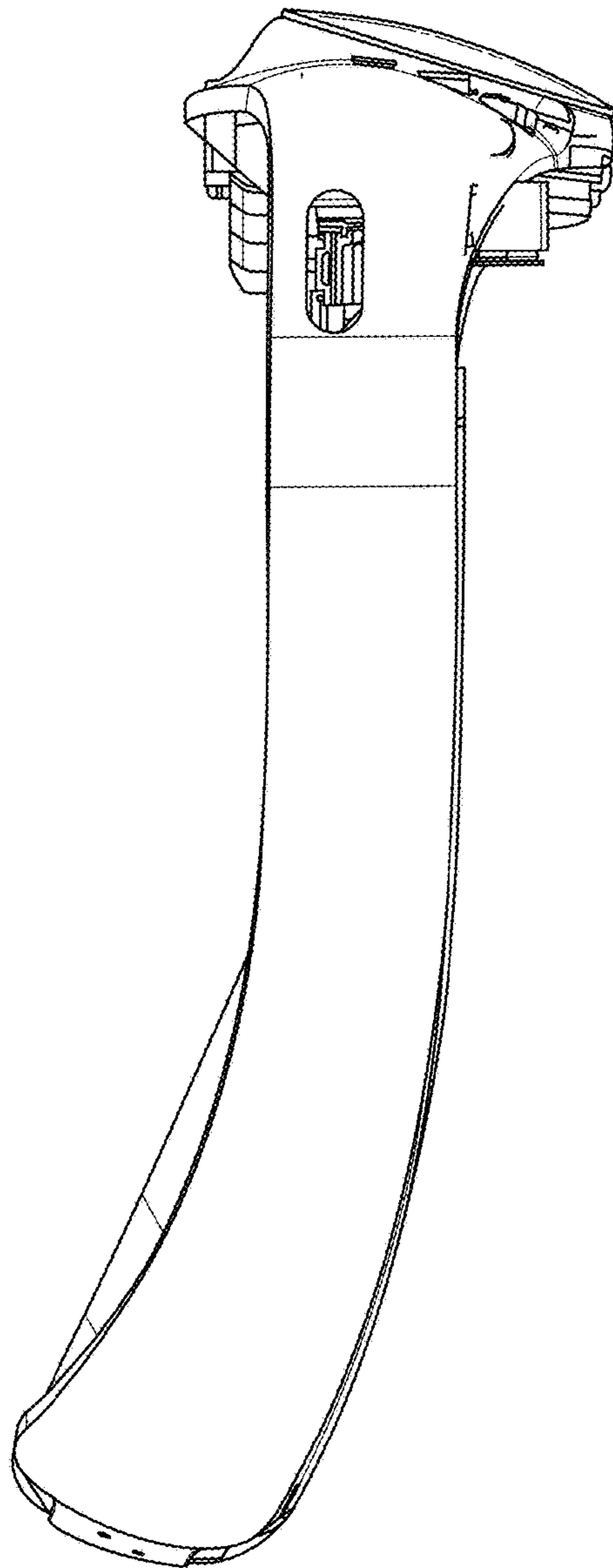


FIG. 6

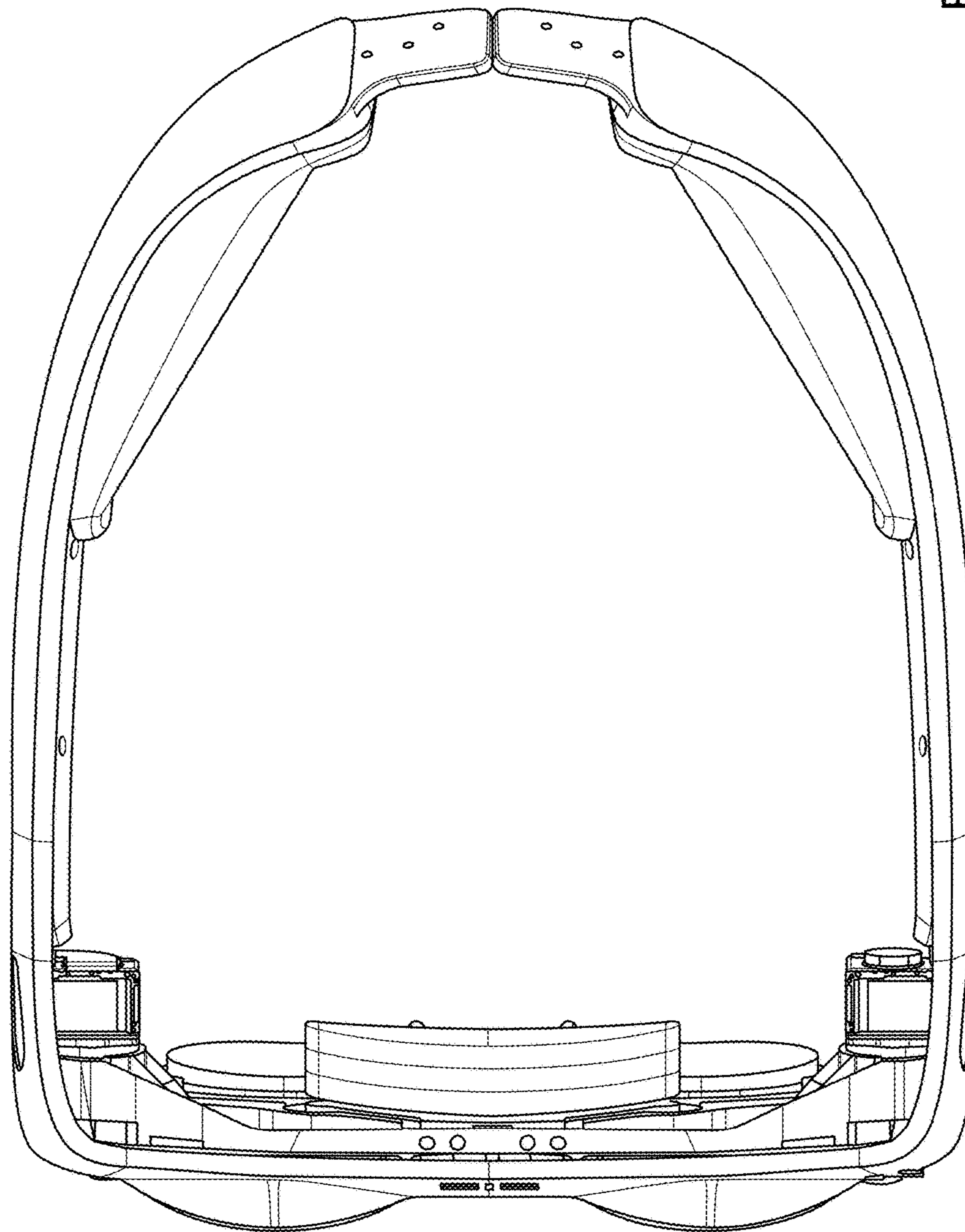


FIG. 7

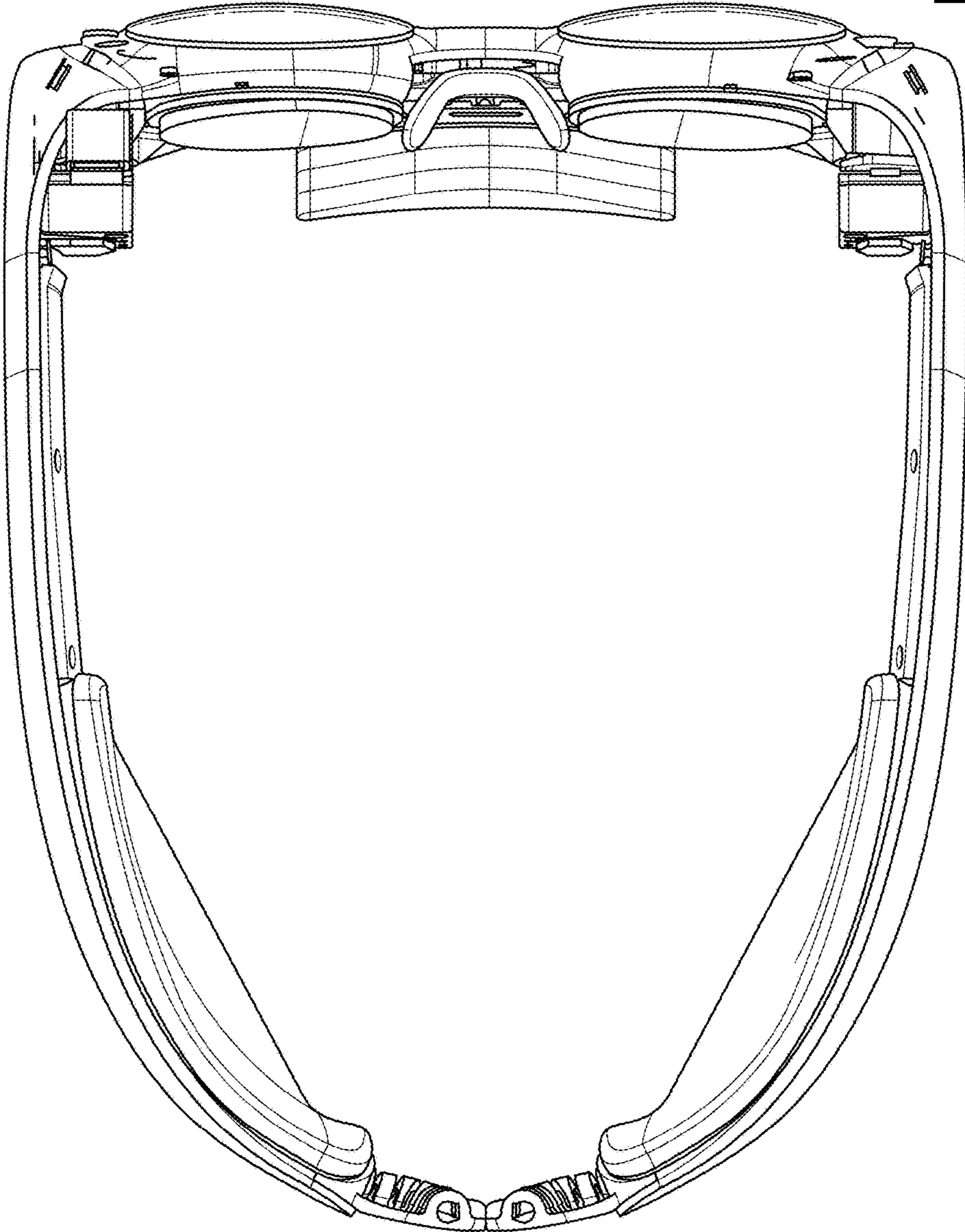


FIG. 8