

US00D862463S

(12) **United States Design Patent** (10) **Patent No.:** **US D862,463 S**
Mao (45) **Date of Patent:** **** Oct. 8, 2019**

(54) **SMART WATCH**

(71) Applicant: **Yuzhong Mao**, Leshan (CN)

(72) Inventor: **Yuzhong Mao**, Leshan (CN)

(**) Term: **15 Years**

(21) Appl. No.: **29/697,149**

(22) Filed: **Jul. 4, 2019**

(51) **LOC (12) Cl.** **14-02**

(52) **U.S. Cl.**
USPC **D14/344**

(58) **Field of Classification Search**
USPC D14/344, 138 R, 144, 341, 358, 388;
D10/30-39, 70, 98; D11/3, 4, 26, 93-94,
D11/78.1, 79, 86; D24/167, 169,
D24/186-187, 164
CPC G06F 1/163; G06F 3/014; G04G 21/08;
G04G 15/00; H04M 1/7253
See application file for complete search history.

(56) **References Cited**

U.S. PATENT DOCUMENTS

D512,926 S *	12/2005	Kondoh	D10/70
D711,002 S *	8/2014	Ohnemus	D24/186
D715,668 S *	10/2014	Roush	D10/70
D751,549 S *	3/2016	Park	D10/38
D759,516 S *	6/2016	Ling	D10/30
D788,608 S *	6/2017	Houin	D10/38
D790,374 S *	6/2017	Lean	D10/39
D809,144 S *	1/2018	Wu	D24/167
D814,643 S *	4/2018	Mockler	D24/186
D816,668 S *	5/2018	Wu	D14/344
D817,784 S *	5/2018	Swenson	D10/32
D818,467 S *	5/2018	Son	D14/344
D820,713 S *	6/2018	Oh	D11/3
D822,836 S *	7/2018	Wu	D24/186
D831,645 S *	10/2018	Wu	D14/344
D833,412 S *	11/2018	Guan	D14/186

D833,625 S *	11/2018	Guan	D24/186
D840,043 S *	2/2019	Li	D24/186
D848,875 S *	5/2019	Wildner	D10/70
D851,641 S *	6/2019	Zhang	D14/344
2016/0070393 A1 *	3/2016	Sharma	G06F 1/163 345/174
2017/0065224 A1 *	3/2017	Rahko	A61B 5/7435

FOREIGN PATENT DOCUMENTS

CN	303927881	*	11/2016
EM	004747699-0001	*	3/2018
EM	006531612-0001	*	6/2019

(Continued)

OTHER PUBLICATIONS

Smart Fitness Tracker Watch, announced 2019 [online], [retrieved Aug. 14, 2019]. Available from Internet, URL: <<https://www.parkfieldsupplies.com>> (Year: 2019).*

(Continued)

Primary Examiner — Barbara Fox
Assistant Examiner — Dana K Weiland

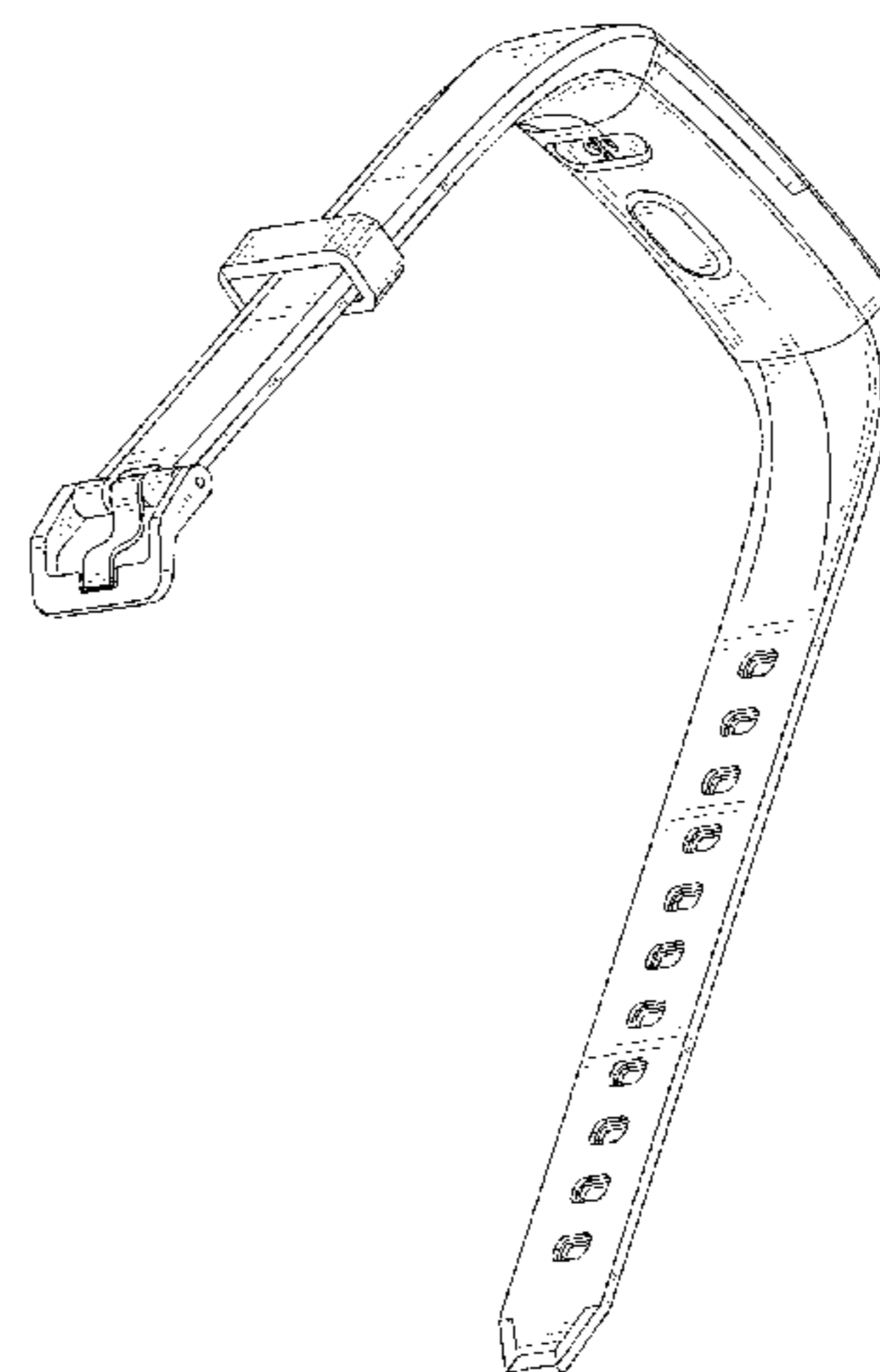
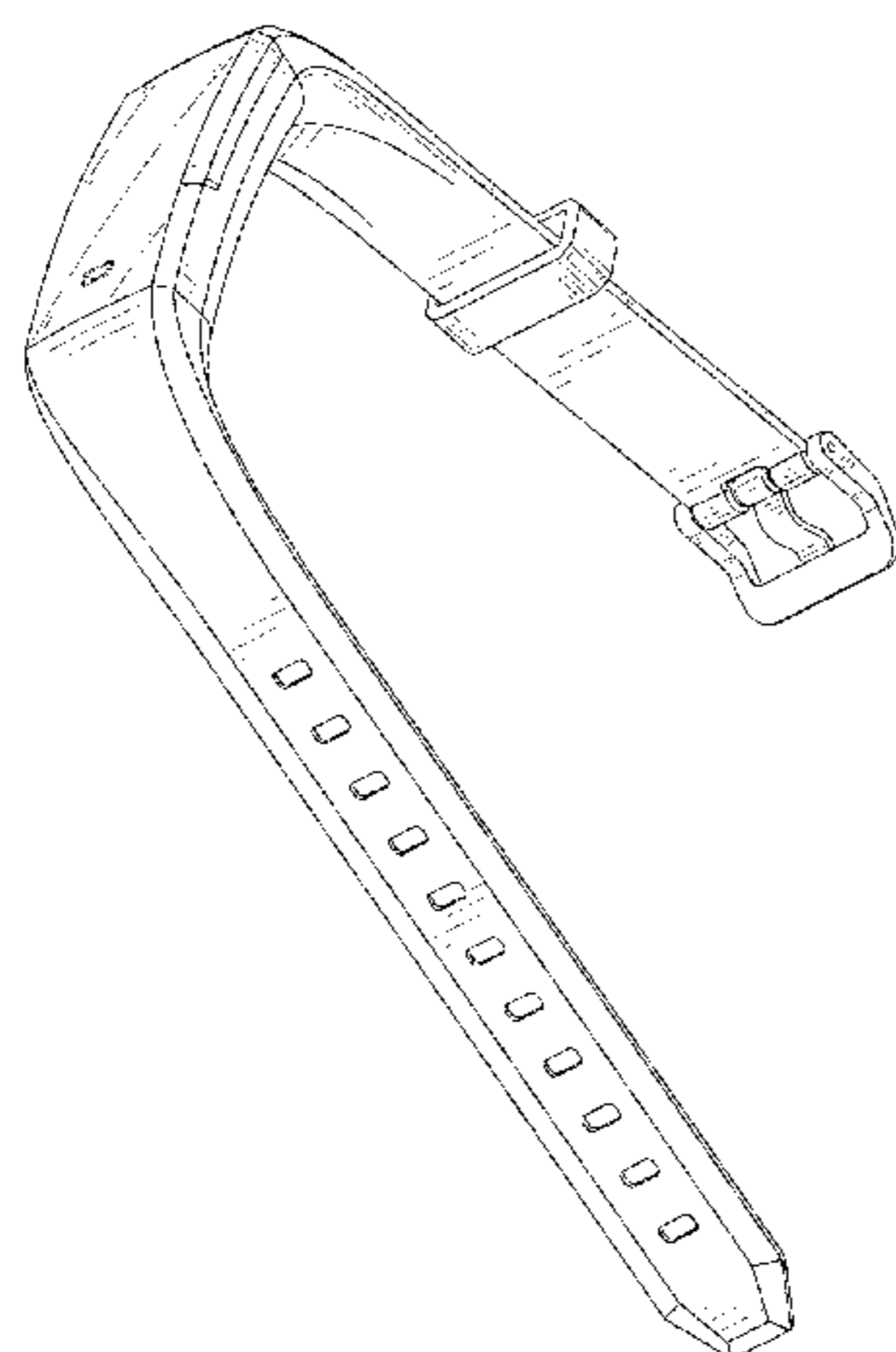
(57) **CLAIM**

The ornamental design for a smart watch, as shown and described.

DESCRIPTION

FIG. 1 is a perspective view of a smart watch showing my new design;
FIG. 2 is another perspective view thereof;
FIG. 3 is a front elevational view thereof;
FIG. 4 is a rear elevational view thereof;
FIG. 5 is a left side elevational view thereof;
FIG. 6 is a right side elevational view thereof;
FIG. 7 is a top plan view thereof; and,
FIG. 8 is a bottom plan view thereof.

1 Claim, 8 Drawing Sheets



(56)

References Cited

FOREIGN PATENT DOCUMENTS

EM	006611026-0001	*	7/2019
JP	D1636947	*	7/2019

OTHER PUBLICATIONS

“3Akasma Fitness Tracker HR, S5 Activity Tracker Watch with Heart Rate Monitor, Pedometer IP68 Waterproof Sleep Monitor Step Counter for Women Men”, Retrieved Jul. 2, 2019]. Retrieved from Internet, <https://www.amazon.com/Akasma-Fitness-Activity-Pedometer-Waterproof/dp/B07S8GTJRV>.

“Yamay Fitness Tracker with Heart Rate Monitor, Fitness Watch Activity Tracker Smart Watch with Sleep Monitor 14 Sports Mode,Pedometer Watch for Kids Men Women (Color Screen,IP68 Waterproof)”, Retrieved Jul. 2, 2019 Retrieved from Internet, <https://www.amazon.com/dp/B07GB27BVB>.

“Willful Fitness Tracker with Heart Rate Monitor, Activity Tracker Pedometer with Step Counter Sleep Monitor 14 Sports Tracking,Color Screen IP68 Waterproof,Fitness Watch for Women Men Kids”. Retrieved Jul. 2, 2019]. Retrieved from Internet, <https://www.amazon.com/dp/B07H2QKXB7>.

* cited by examiner

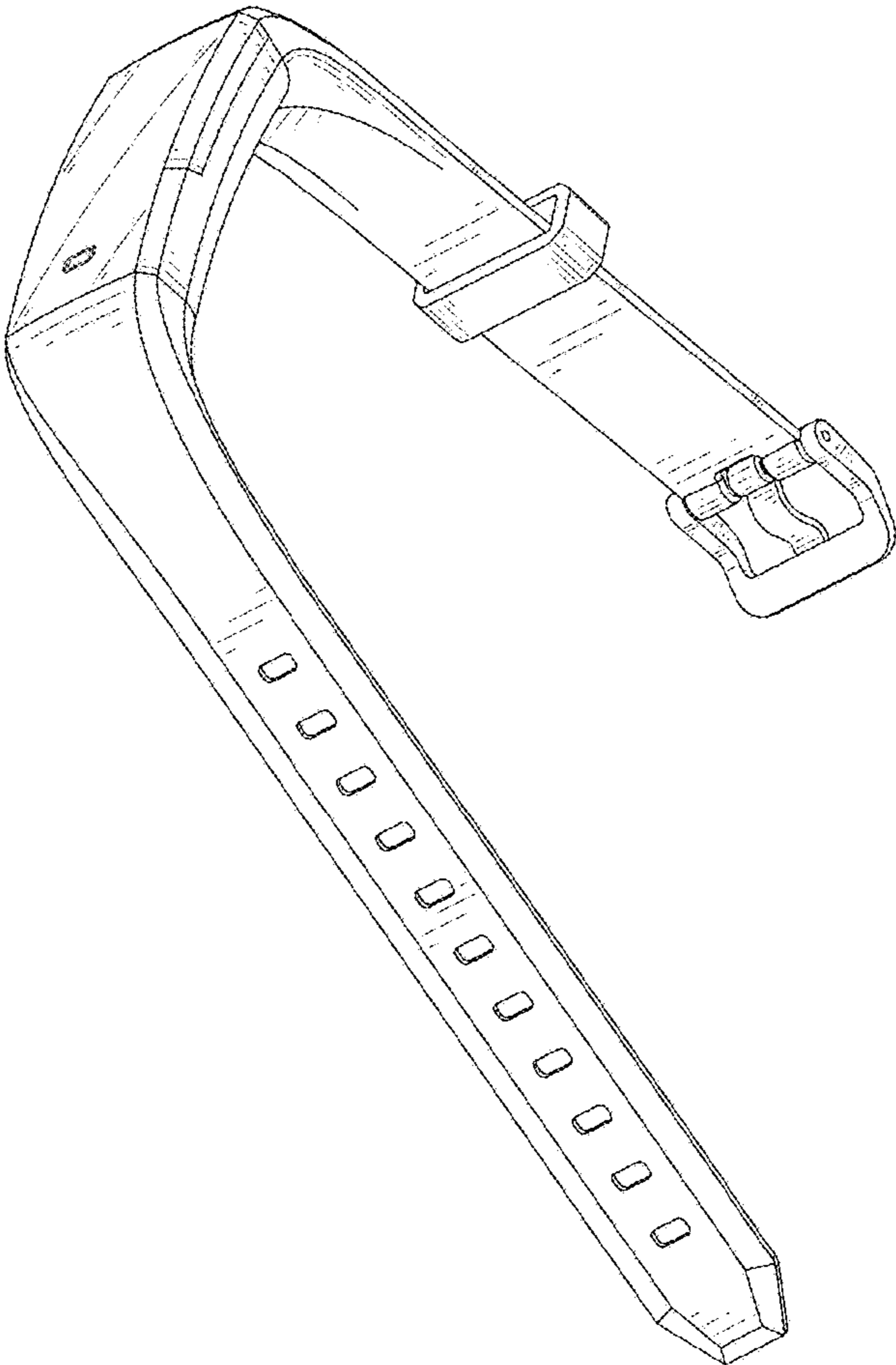


FIG. 1

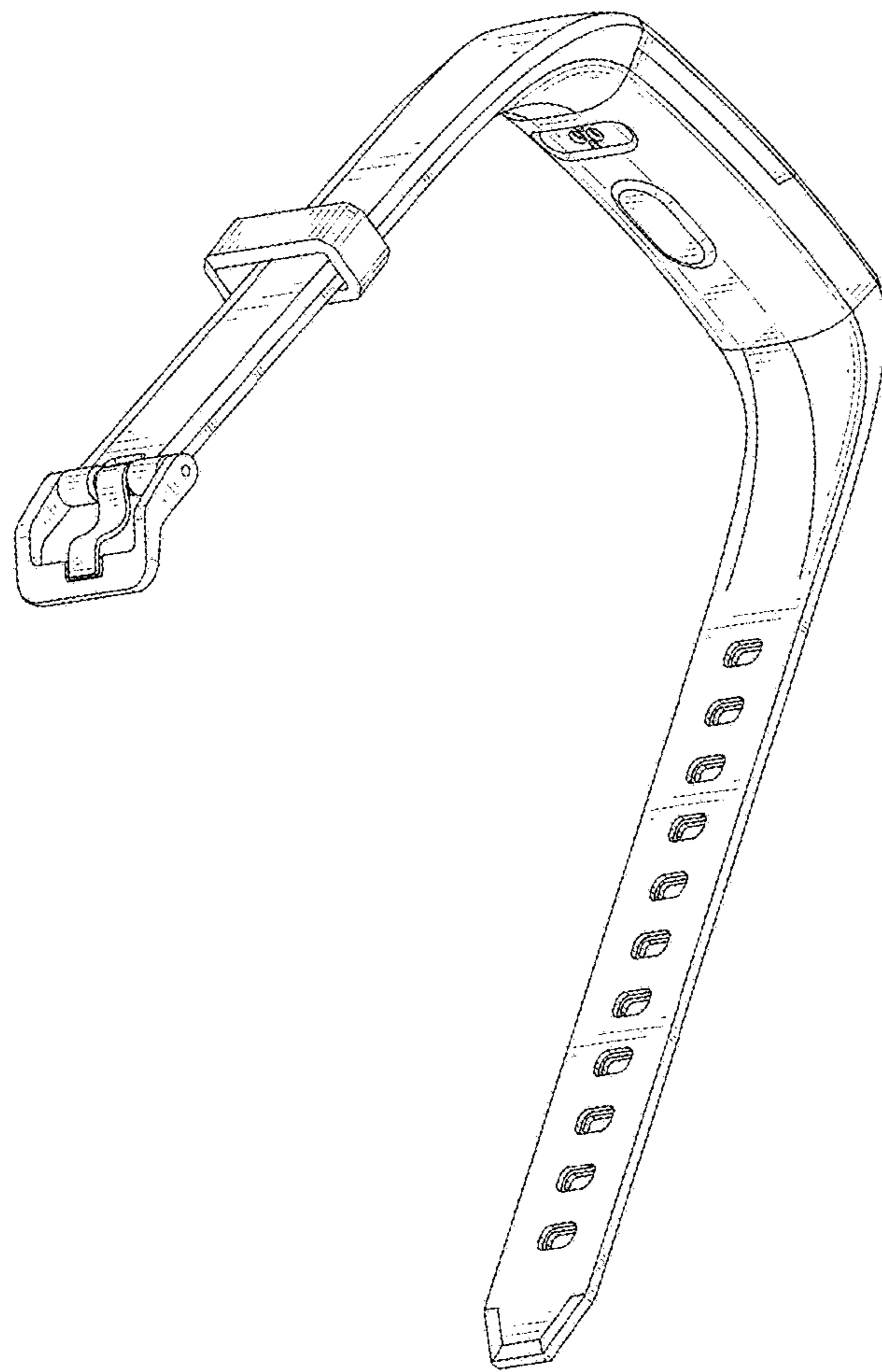


FIG. 2

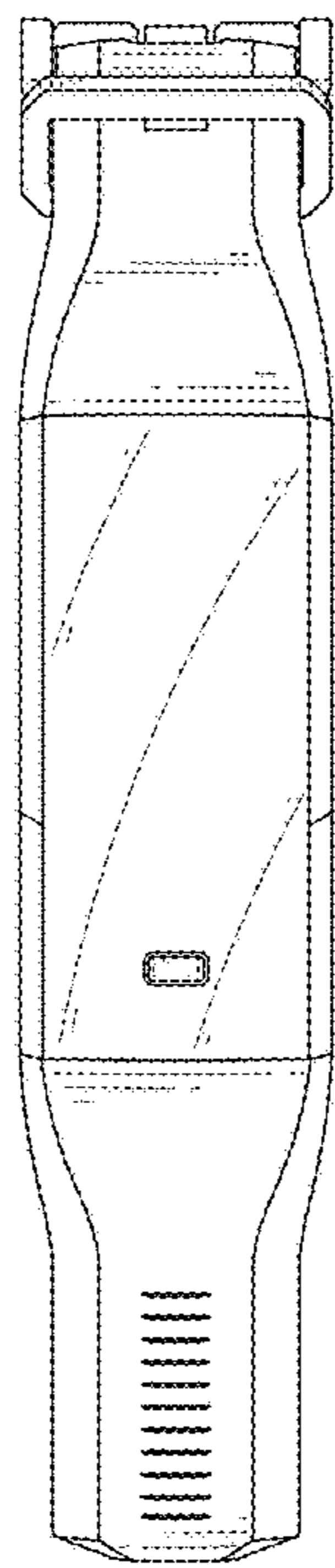


FIG. 3

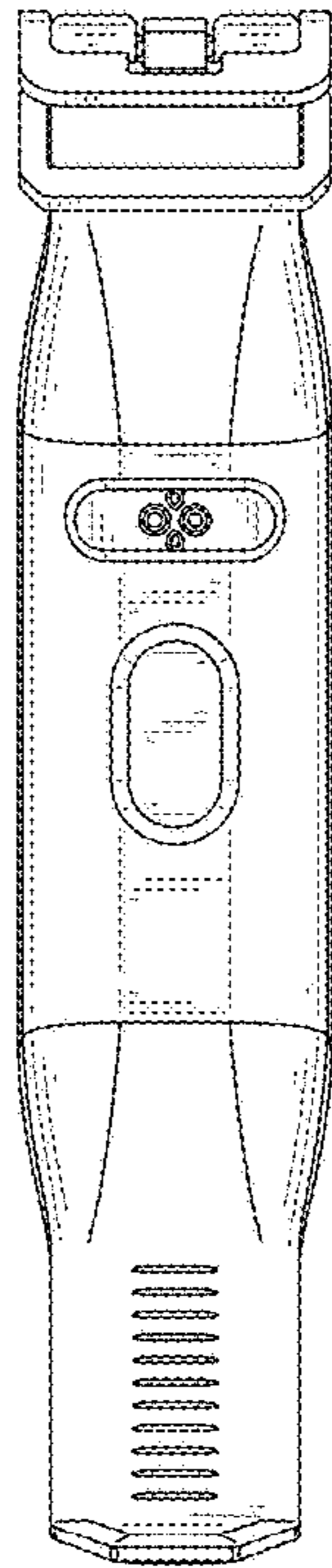


FIG. 4

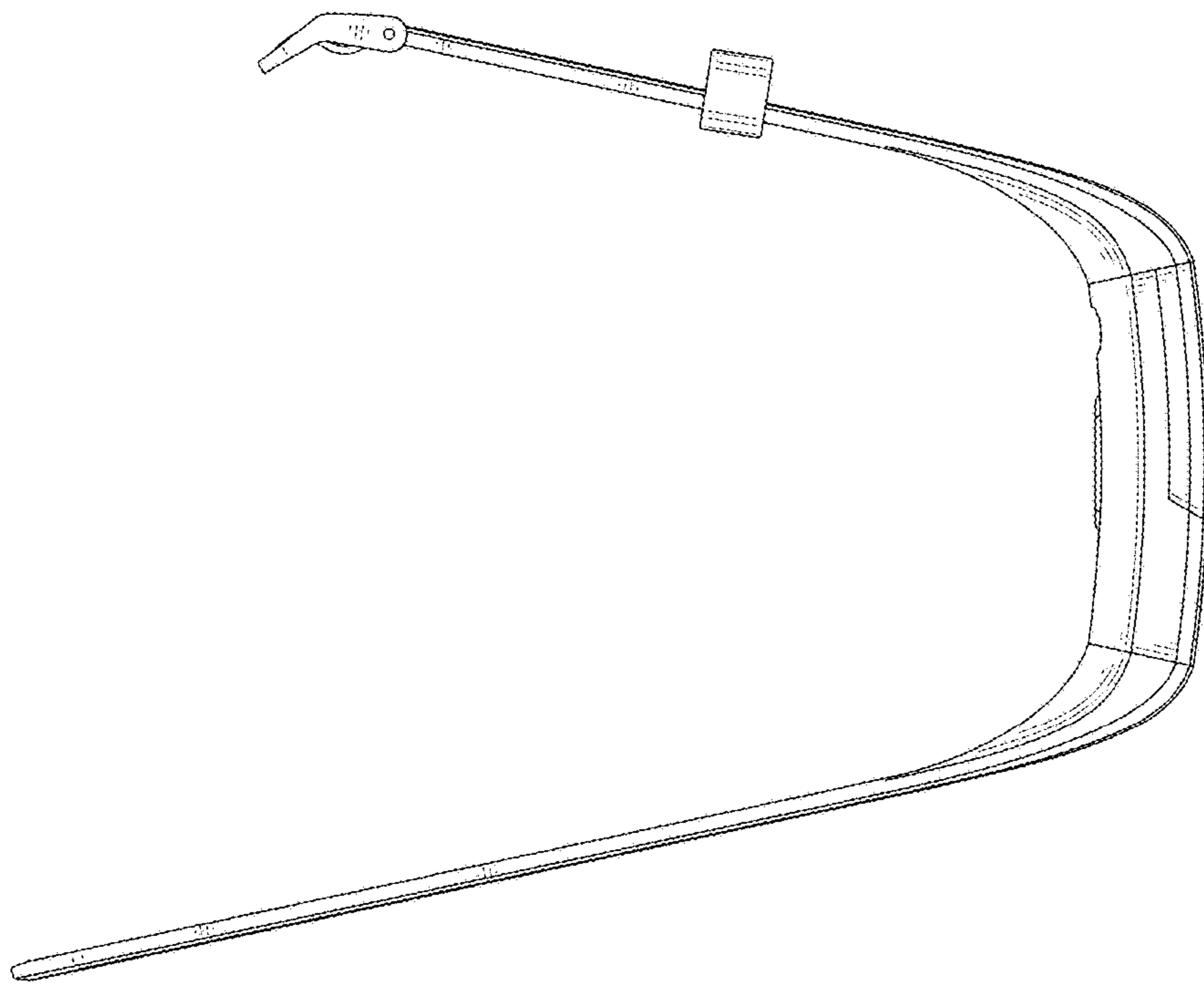


FIG. 5

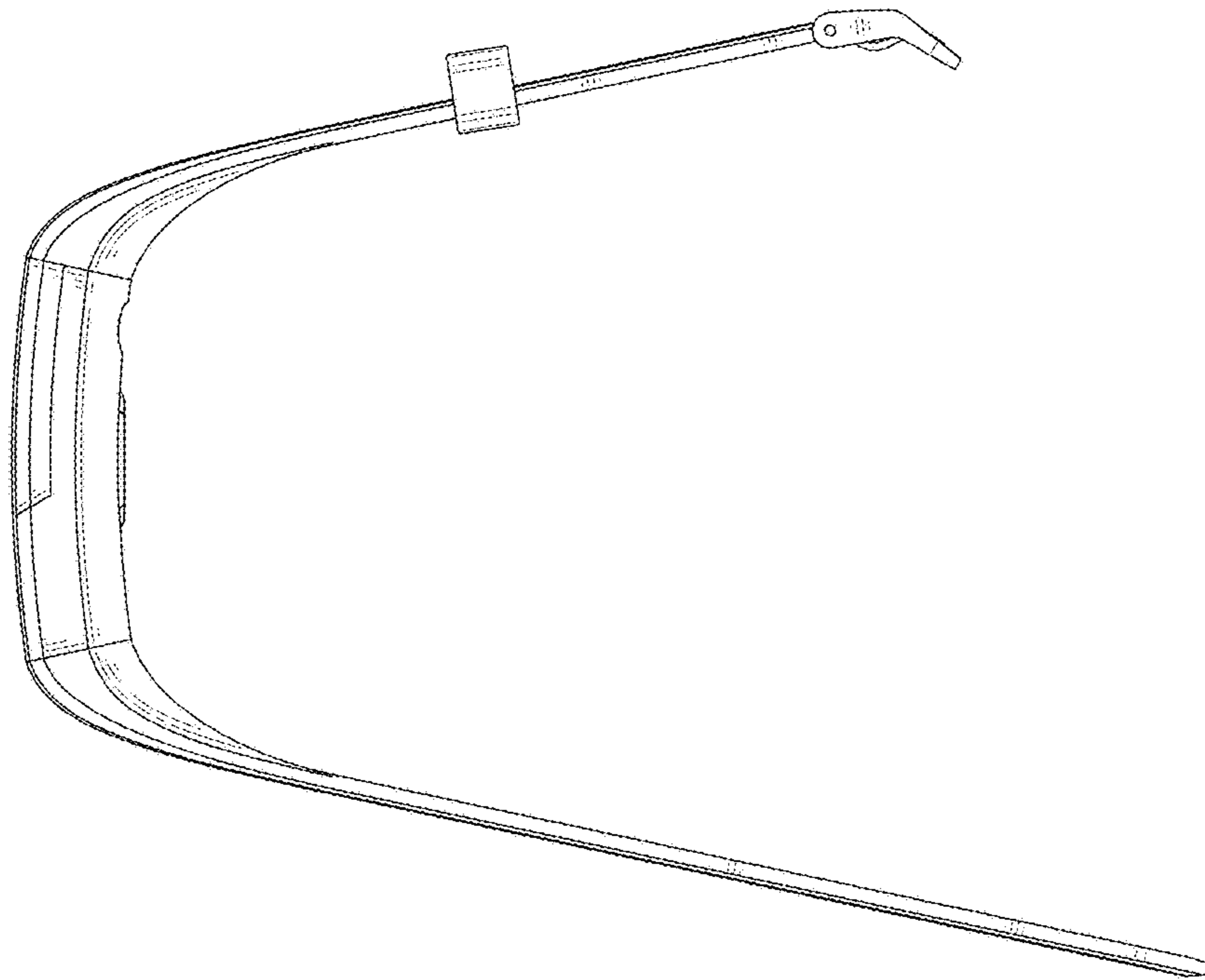


FIG. 6

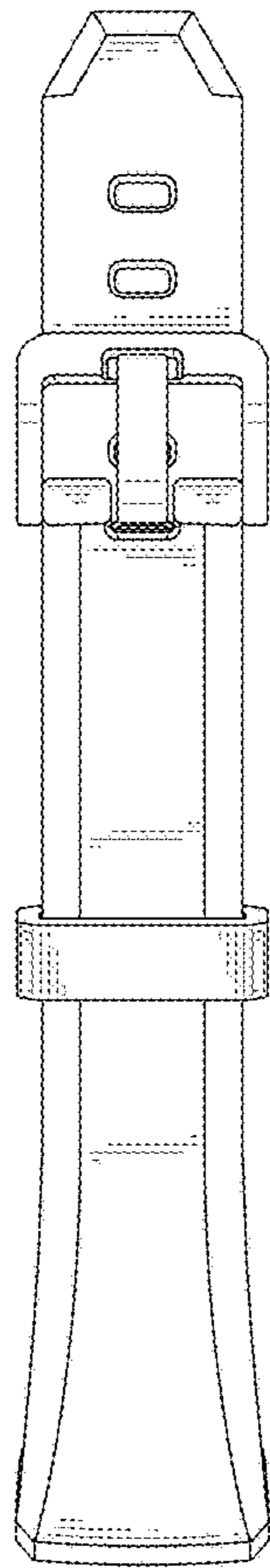


FIG. 7

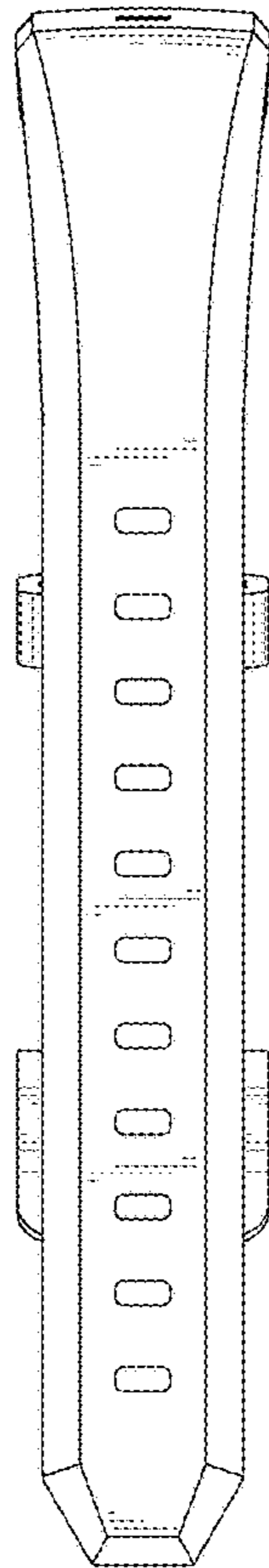


FIG. 8