



US00D862462S

(12) **United States Design Patent**
Zhang

(10) **Patent No.:** **US D862,462 S**

(45) **Date of Patent:** **** Oct. 8, 2019**

(54) **SMART WATCH**

(71) Applicant: **Caihong Zhang**, Shenzhen (CN)

(72) Inventor: **Caihong Zhang**, Shenzhen (CN)

(**) Term: **15 Years**

(21) Appl. No.: **29/695,250**

(22) Filed: **Jun. 18, 2019**

(51) **LOC (12) Cl.** **14-02**

(52) **U.S. Cl.**

USPC **D14/344**; D10/30

(58) **Field of Classification Search**

USPC D14/344, 138 R, 144, 341, 358, 388;
D10/30-39, 70, 98; D11/3, 4, 26, 93-94,
D11/78.1, 79, 86; D24/167, 169,
D24/186-187, 164

CPC G06F 1/163; G06F 3/014; G04G 21/08;
G04G 15/00; H04M 1/7253

See application file for complete search history.

(56) **References Cited**

U.S. PATENT DOCUMENTS

D528,928 S *	9/2006	Burton	D10/38
D584,176 S *	1/2009	Maruyama	D10/70
D726,680 S *	4/2015	Kim	D10/37
D745,005 S *	12/2015	Kim	D10/38
D747,979 S *	1/2016	Babcock	D10/30
D759,623 S *	6/2016	Dahlberg	D10/30
D760,717 S *	7/2016	Solomon	D14/344
D765,072 S *	8/2016	Kwon	D10/38
D765,655 S *	9/2016	Tao	D10/38
D784,325 S *	4/2017	Kim	D14/341
D784,346 S *	4/2017	Tao	D10/103
D788,626 S *	6/2017	Song	D11/4
D789,357 S *	6/2017	Wu et al.		
D790,538 S *	6/2017	Saimen	D14/240
D802,587 S *	11/2017	Lee	D14/344
D838,716 S *	1/2019	Teng	D14/344
D839,753 S *	2/2019	Domke	D10/30

D842,724 S *	3/2019	Vandenbussche	D10/70
D843,864 S *	3/2019	Vandenbussche	D10/70
D854,433 S *	7/2019	Vandenbussche	D10/70
D854,960 S *	7/2019	Yu	D11/3
D855,813 S *	8/2019	Hu	D24/186

(Continued)

FOREIGN PATENT DOCUMENTS

CN	303626981	*	3/2016
CN	304973151	*	1/2019

(Continued)

OTHER PUBLICATIONS

Fitbit Versa, announced Mar. 13, 2018 [online], [retrieved Aug. 14, 2019]. Available from Internet, <<https://www.macrumors.com/2018/03/13/fitbit-versa-and-fitbit-ace/>> (Year: 2018).*

Primary Examiner — Barbara Fox

Assistant Examiner — Dana K Weiland

(74) *Attorney, Agent, or Firm* — Jie Yang; HYIP

(57) **CLAIM**

The ornamental design for a smart watch, as shown and described.

DESCRIPTION

FIG. 1 is a first perspective view of a smart watch showing my new design;

FIG. 2 is a second perspective view thereof;

FIG. 3 is a front view thereof;

FIG. 4 is a back view thereof;

FIG. 5 is a left side view thereof;

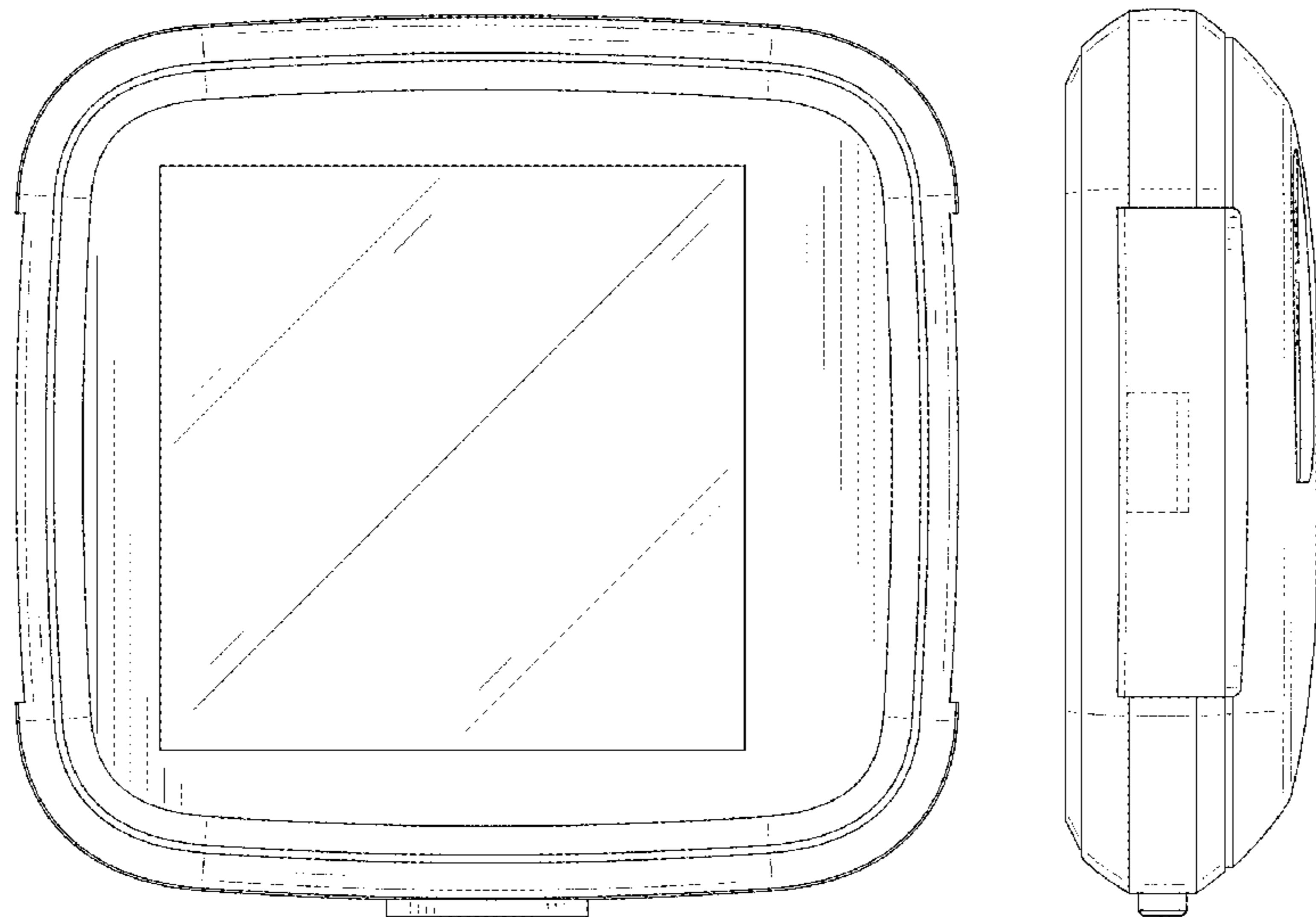
FIG. 6 is a right side view thereof;

FIG. 7 is a top view thereof; and,

FIG. 8 is a bottom view thereof.

The broken lines shown in the drawings depict portions of the smart watch that form no part of the claimed design.

1 Claim, 8 Drawing Sheets



(56)

References Cited

U.S. PATENT DOCUMENTS

2016/0027297 A1* 1/2016 Wu G08C 17/02
340/12.5
2018/0255015 A1* 9/2018 Ahn G06F 3/04883

FOREIGN PATENT DOCUMENTS

CN 305284955 * 8/2019
CN 305291532 * 8/2019
EM 005248101-0001 * 6/2018
JP D1627277 * 3/2019

* cited by examiner

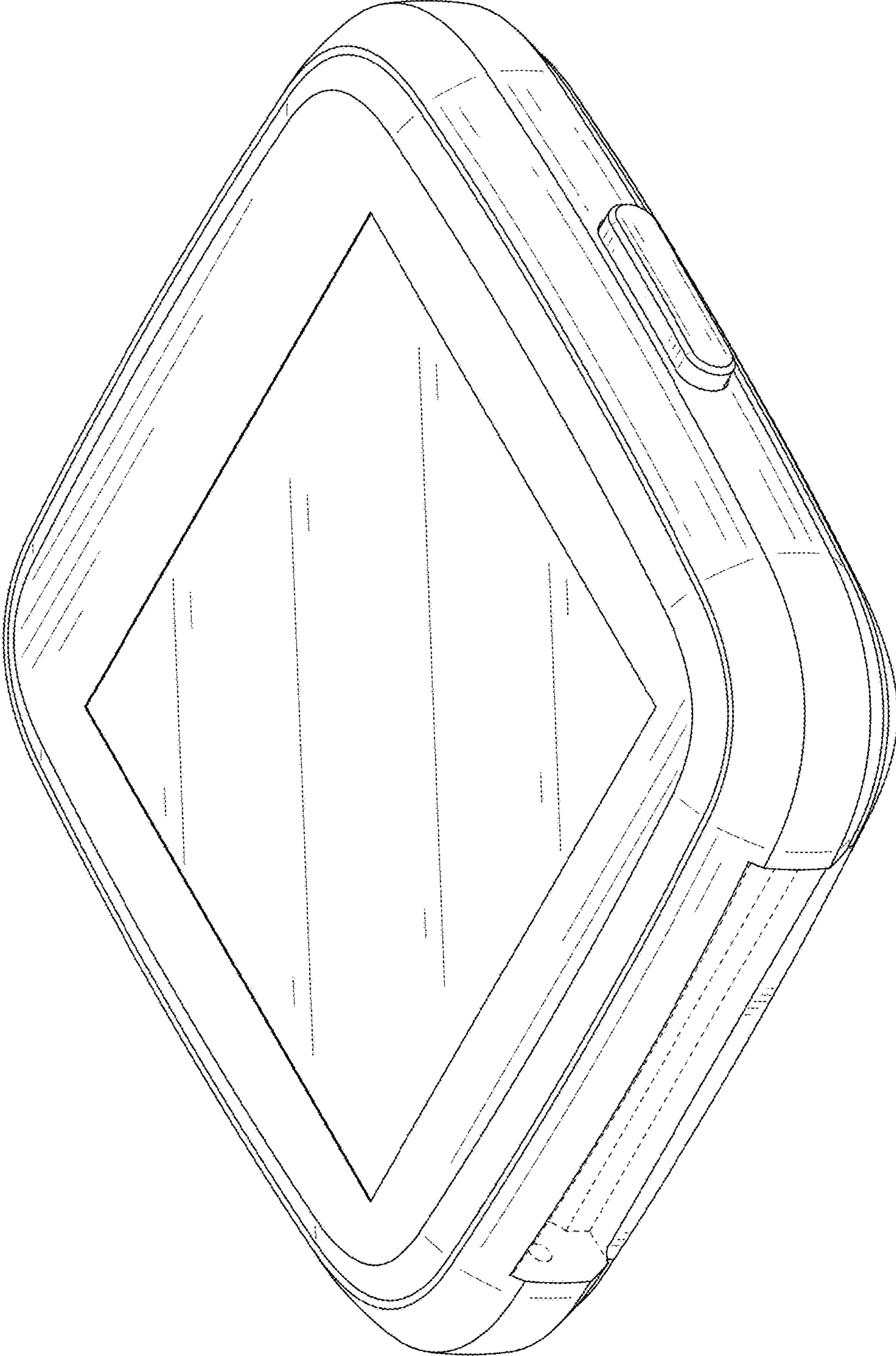


FIG. 1

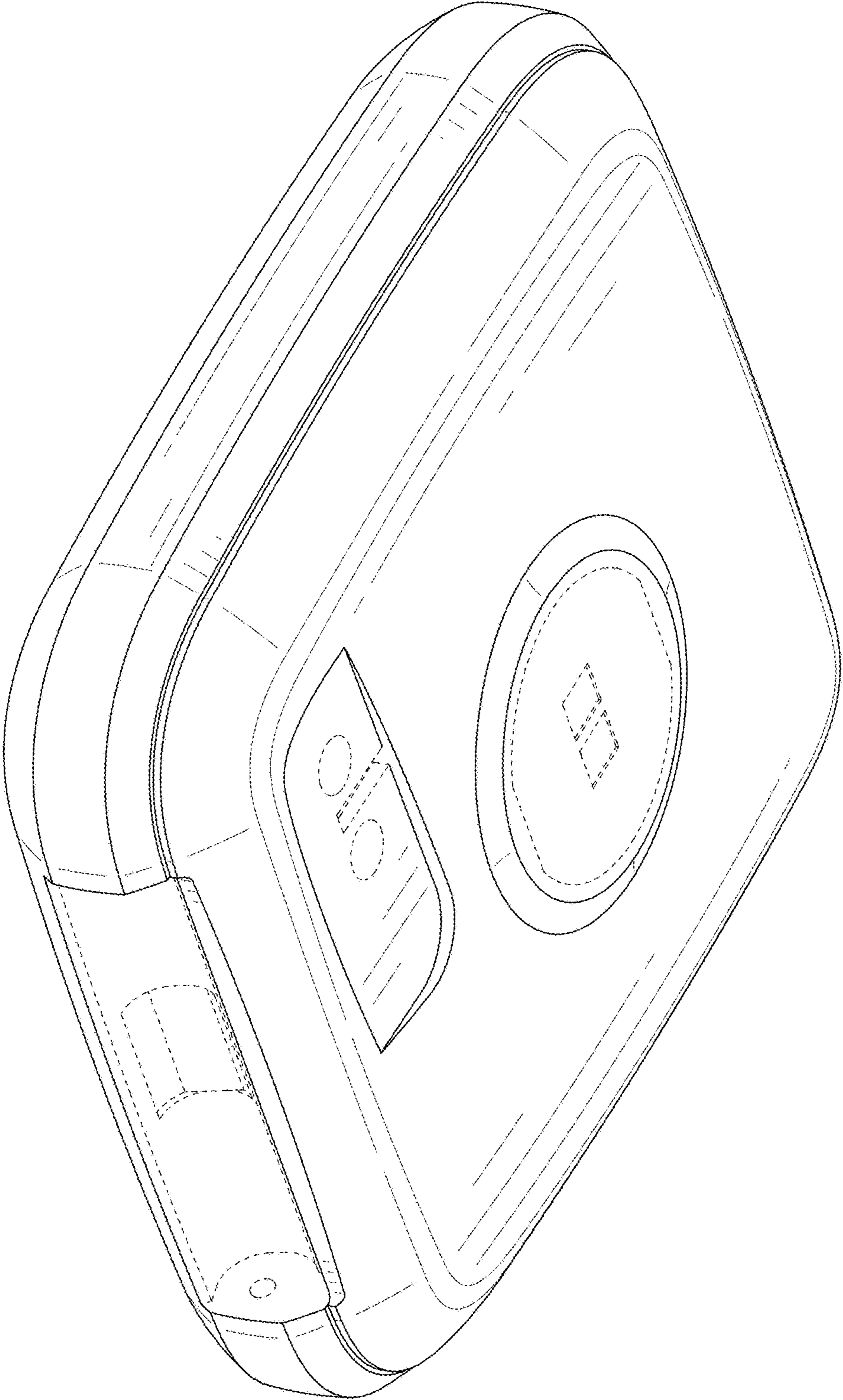


FIG. 2

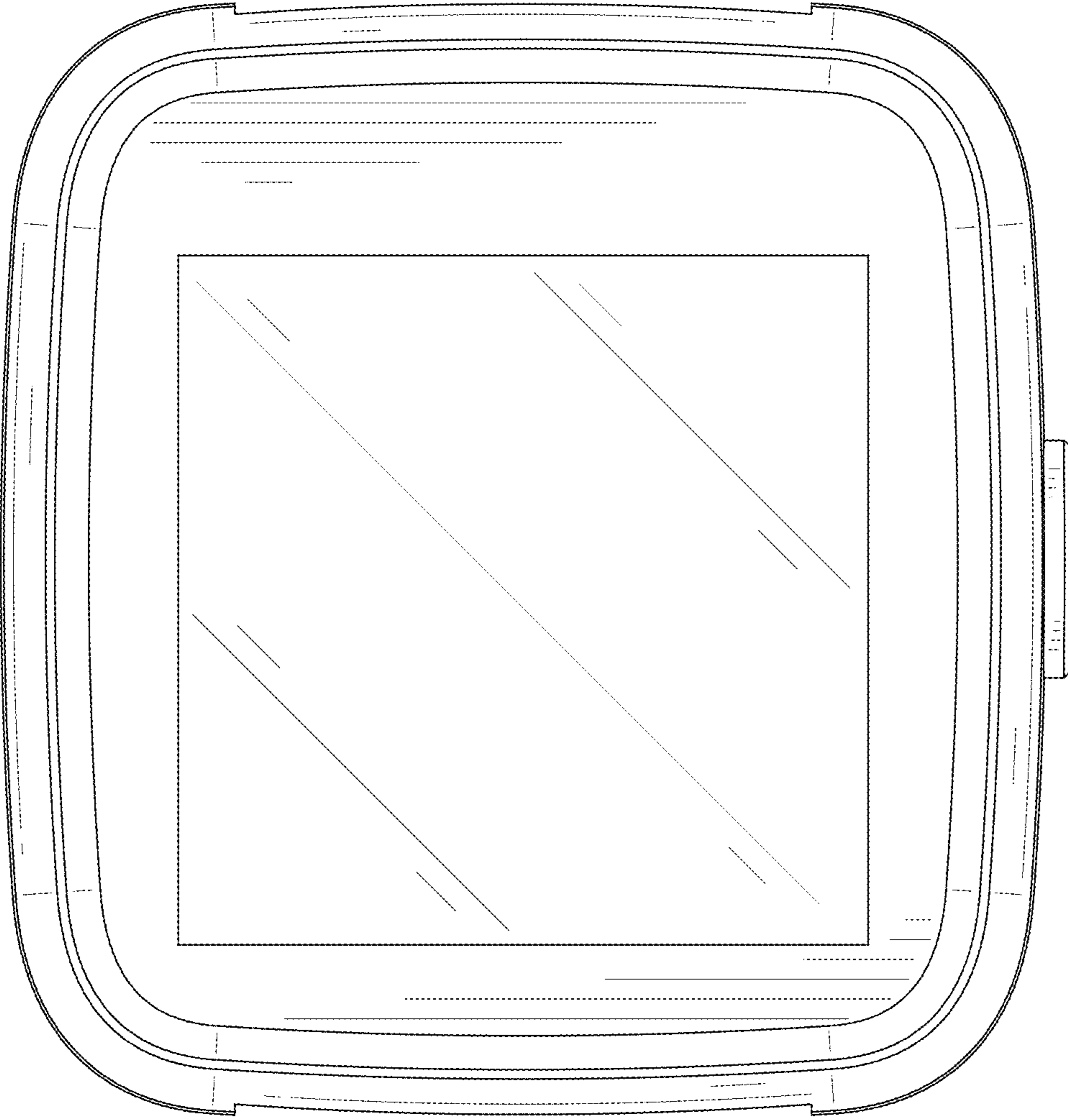


FIG. 3

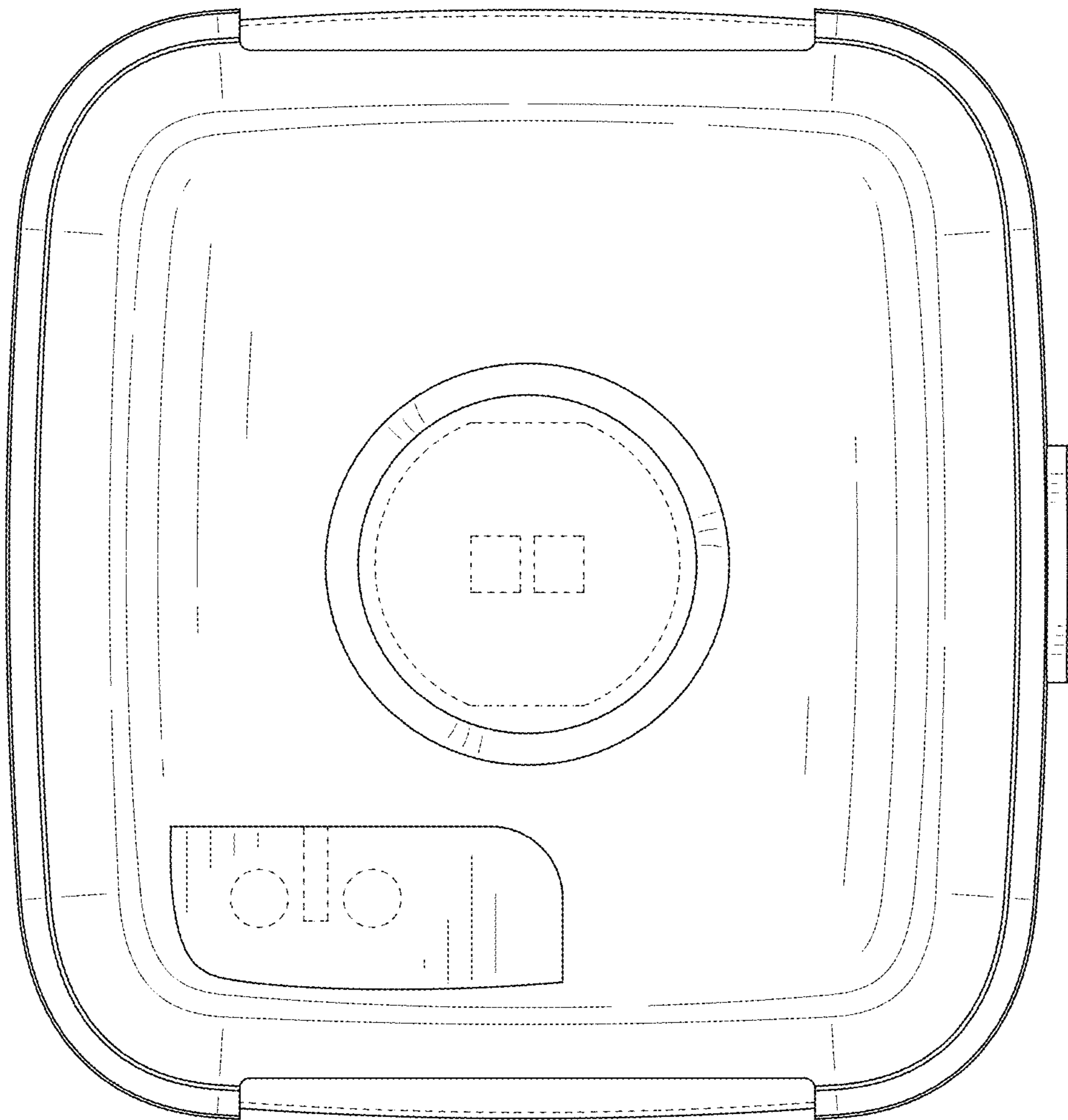


FIG. 4

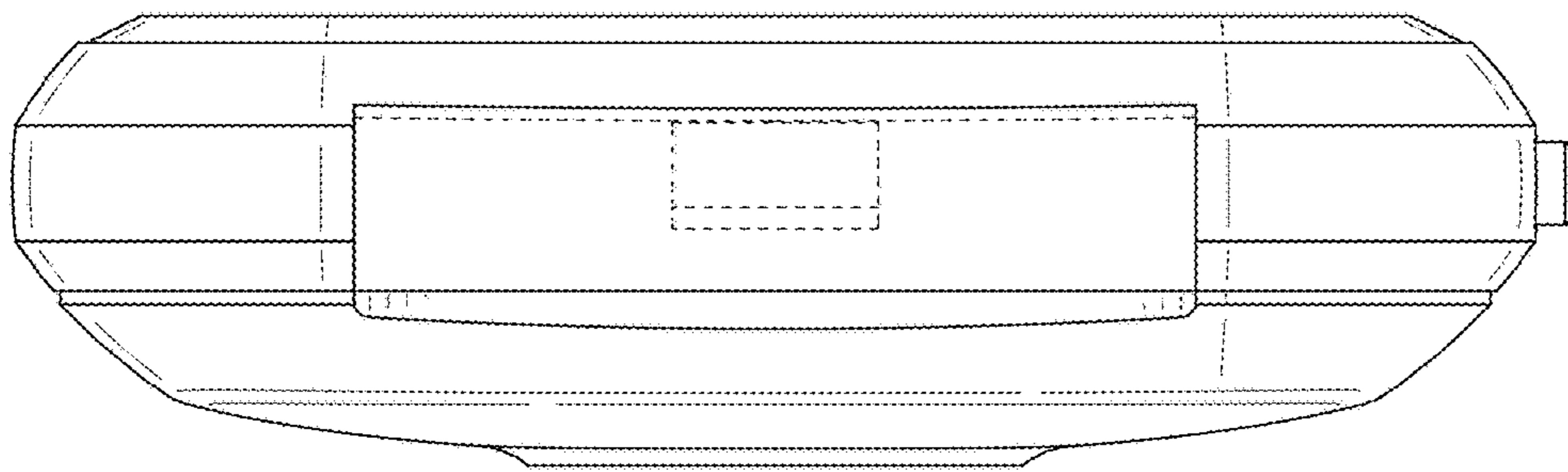


FIG. 5

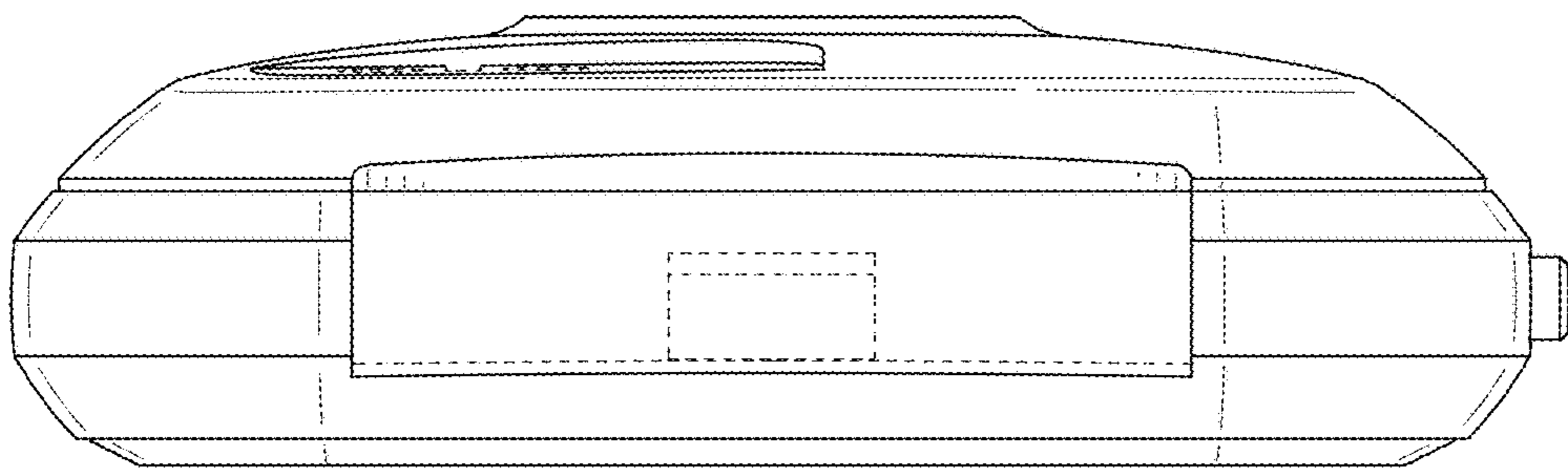


FIG. 6

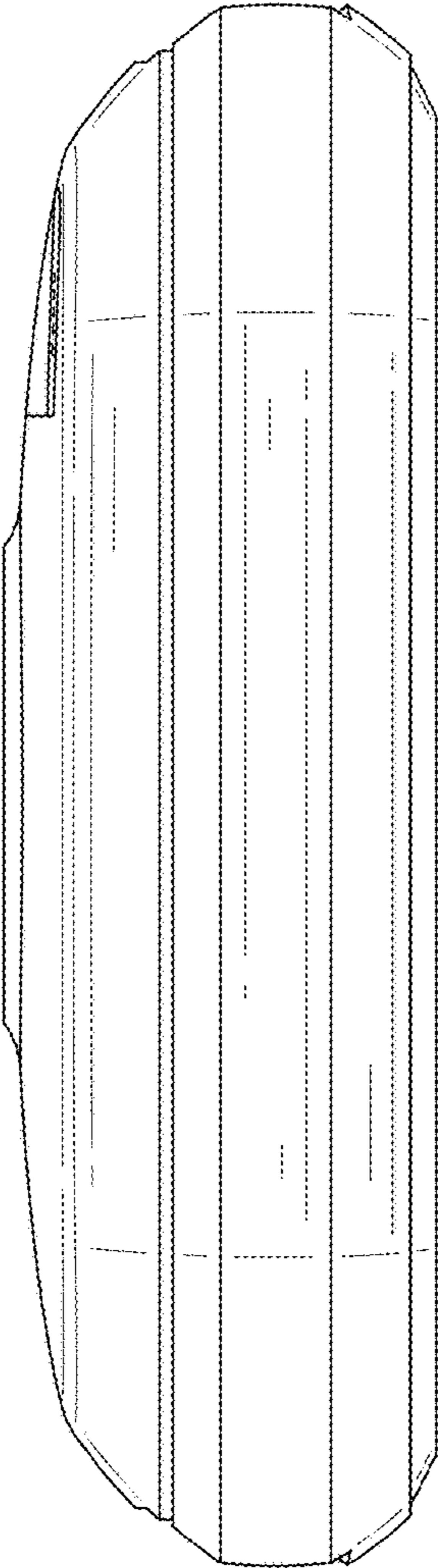


FIG. 7

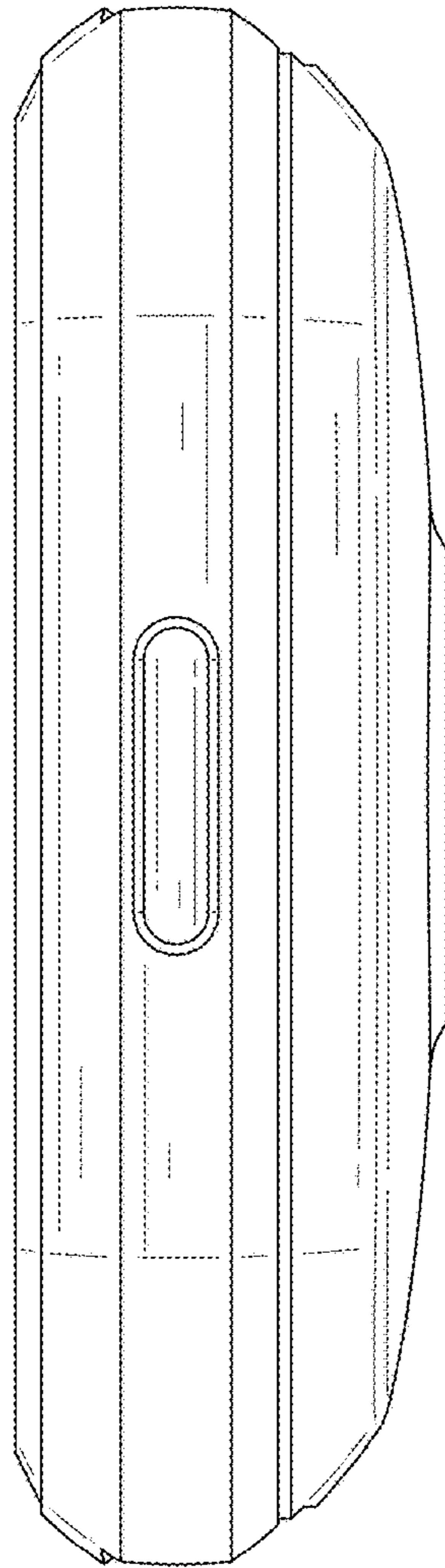


FIG. 8