



US00D862461S

(12) **United States Design Patent**  
**Zhang**

(10) **Patent No.:** **US D862,461 S**

(45) **Date of Patent:** **\*\* \*Oct. 8, 2019**

(54) **SMART WRISTBAND**

(71) Applicant: **Yan Zhang**, Yueyang (CN)

(72) Inventor: **Yan Zhang**, Yueyang (CN)

(\*) Notice: This patent is subject to a terminal disclaimer.

(\*\*) Term: **15 Years**

(21) Appl. No.: **29/686,207**

(22) Filed: **Apr. 2, 2019**

**Related U.S. Application Data**

(63) Continuation-in-part of application No. 29/676,798, filed on Jan. 15, 2019.

(51) **LOC (12) Cl.** ..... **14-02**

(52) **U.S. Cl.**  
USPC ..... **D14/344**

(58) **Field of Classification Search**  
USPC ... D14/344, 138 R, 144, 341, 358, 205, 223, D14/249; D10/30-39, 70, 98; D11/3, D11/93-94; D24/167, 169, 186-187, D24/106, 173-175  
CPC ..... G06F 1/04; G06F 1/08; G06F 1/10; G06F 1/14; G06F 1/1626; G06F 1/1628; G06F 1/163; G06F 1/1635; G06F 1/3203; G06Q 20/10; G06Q 20/12; G06Q 20/108; G06Q 20/145; H04B 1/3833; H04B 1/385; H04B 1/3888; H04M 1/02; H04M 1/03; H04M 1/04; H04M 1/05; H04M 1/667; H04M 1/6058; Y02B 60/1217

See application file for complete search history.

(56) **References Cited**

**U.S. PATENT DOCUMENTS**

D512,926 S \* 12/2005 Kondoh ..... D10/70  
D727,759 S \* 4/2015 Martinez ..... D10/70  
D729,651 S \* 5/2015 Nuovo ..... D10/32  
D759,826 S \* 6/2016 Martinez ..... D24/187

D761,141 S \* 7/2016 Wimmer, IV ..... D10/74  
D764,340 S \* 8/2016 Akana ..... D11/3  
D784,831 S \* 4/2017 Akana ..... D10/38

(Continued)

**FOREIGN PATENT DOCUMENTS**

EM 004527299-0001 11/2017

**OTHER PUBLICATIONS**

Smart Fitness Tracker Watch, announced 2019 [online], [retrieved Mar. 30, 2019]. Available from Internet, URL: <https://www.parkfieldsupplies.com=""> (Year: 2019)</https:="">.\*

(Continued)

*Primary Examiner* — T Chase Nelson  
*Assistant Examiner* — Dana K Weiland

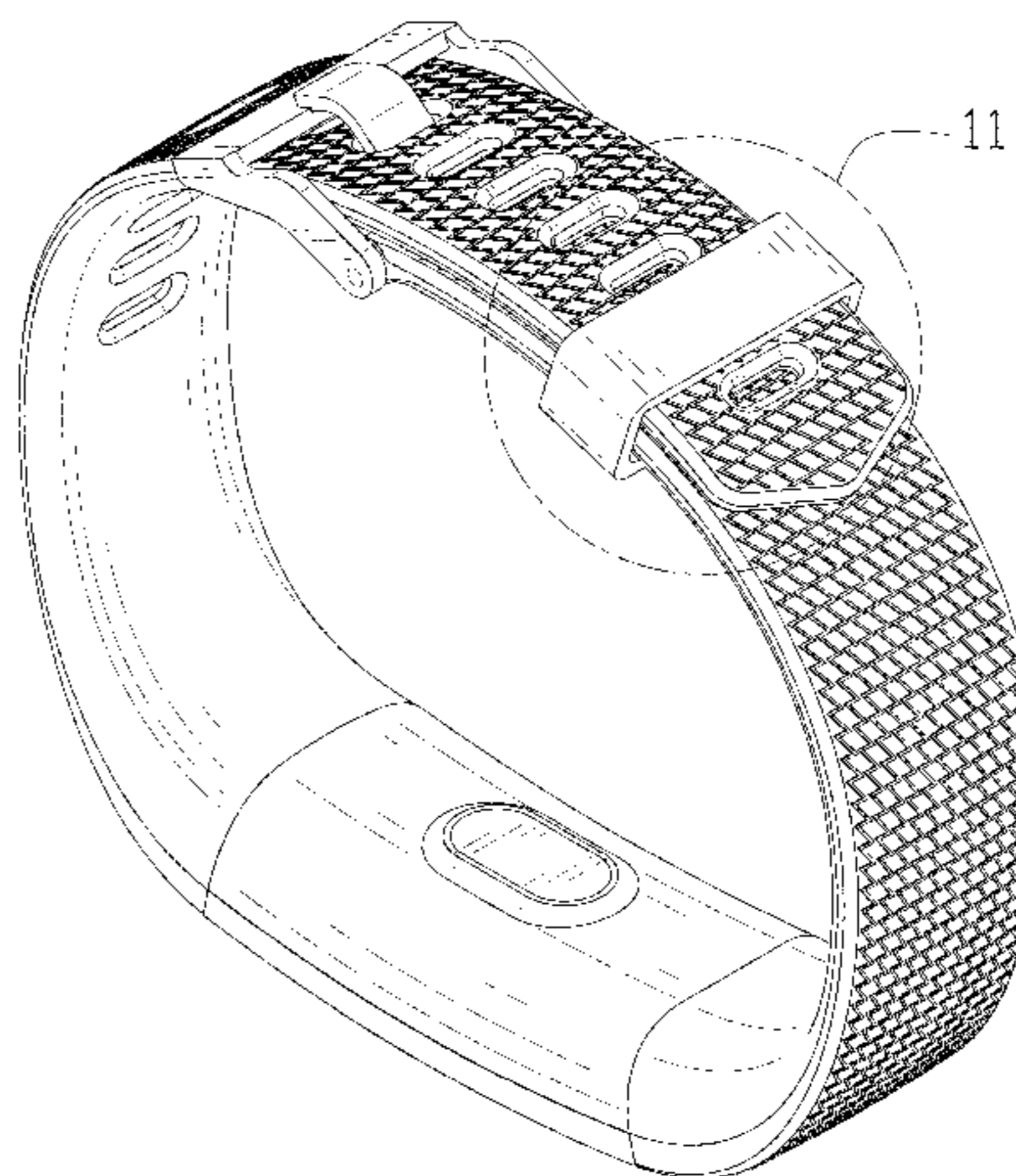
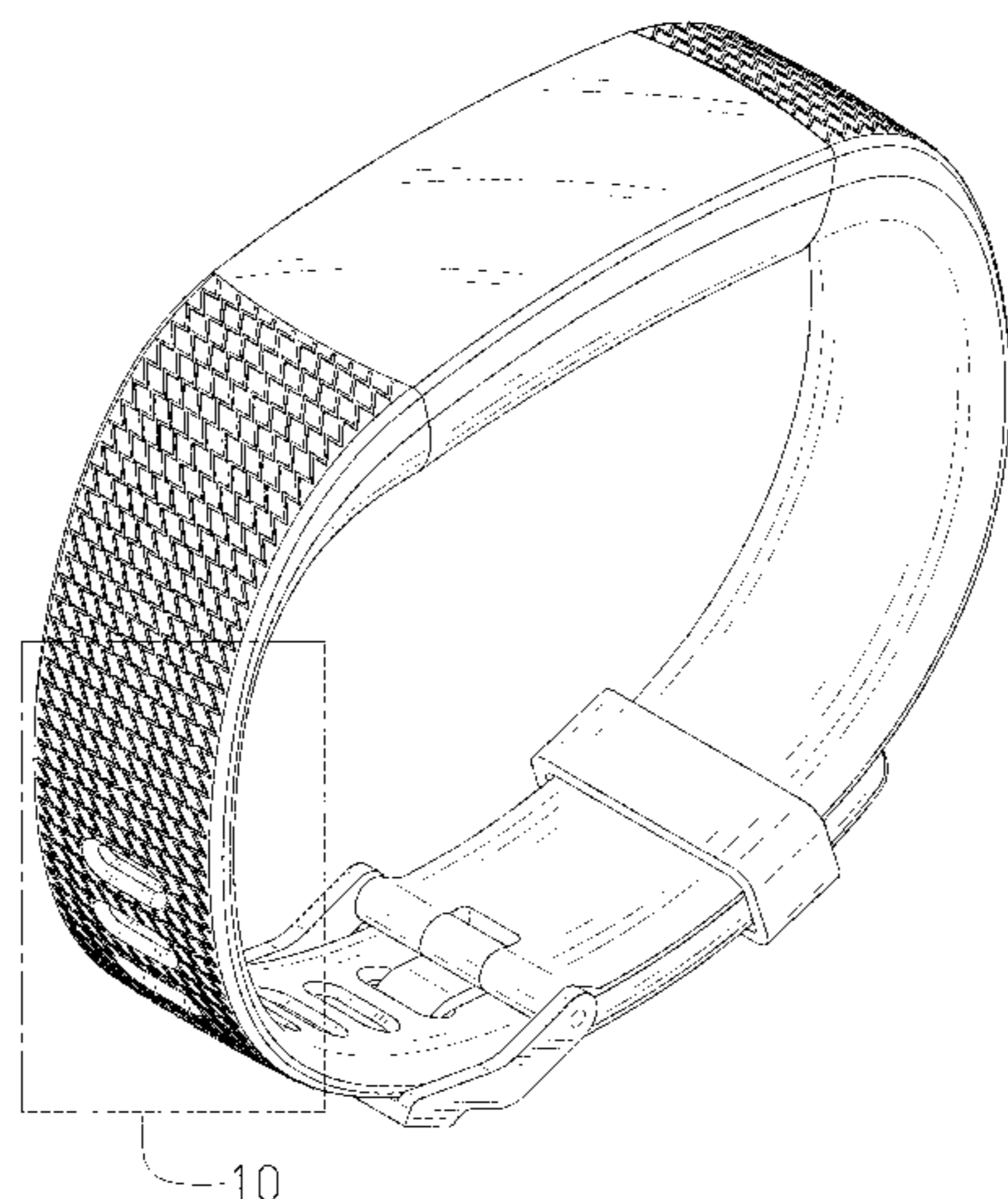
(57) **CLAIM**

The ornamental design for a smart wristband, as shown and described.

**DESCRIPTION**

FIG. 1 is a perspective view of a smart wristband showing my new design;  
FIG. 2 is another perspective view thereof;  
FIG. 3 is a front elevational view thereof;  
FIG. 4 is a rear elevational view thereof;  
FIG. 5 is a left side elevational view thereof;  
FIG. 6 is a right side elevational view thereof;  
FIG. 7 is a top plan view thereof;  
FIG. 8 is a bottom plan view thereof;  
FIG. 9 is a perspective view of the smart wristband where a watchband is separated from a watch body;  
FIG. 10 is an enlarged view of portion 10 shown in FIG. 1; and,  
FIG. 11 is an enlarged view of portion 11 shown in FIG. 2.  
The broken lines in the drawings depict portions of the smart wristband that form no part of the claimed design.

**1 Claim, 11 Drawing Sheets**



(56)

References Cited

U.S. PATENT DOCUMENTS

D790,374 S \* 6/2017 Lean ..... D10/39  
 9,674,697 B2 \* 6/2017 Lee ..... H04B 1/385  
 D792,888 S \* 7/2017 Herrmann ..... D14/480.3  
 D795,121 S \* 8/2017 Akana ..... D11/3  
 D809,144 S \* 1/2018 Wu ..... D24/167  
 D813,076 S \* 3/2018 Akana ..... D11/5  
 D815,635 S \* 4/2018 Lumme ..... D14/344  
 D817,496 S \* 5/2018 Stim ..... D24/167  
 D817,784 S \* 5/2018 Swenson ..... D10/32  
 D818,467 S \* 5/2018 Son ..... D14/344  
 D822,836 S \* 7/2018 Wu ..... D24/186  
 D831,643 S \* 10/2018 Son ..... D14/344  
 D831,645 S \* 10/2018 Wu ..... D14/344  
 D833,625 S \* 11/2018 Guan ..... D24/186  
 D835,533 S \* 12/2018 Zheng ..... D10/70  
 D840,041 S \* 2/2019 Li ..... D24/186  
 D840,043 S \* 2/2019 Li ..... D24/186  
 D840,859 S \* 2/2019 Sethi ..... D11/3  
 D841,171 S \* 2/2019 Li ..... D24/186  
 D843,875 S \* 3/2019 Akana ..... D11/34  
 D848,875 S \* 5/2019 Wildner ..... D10/70  
 D851,641 S \* 6/2019 Zhang ..... D14/344  
 2016/0070393 A1 \* 3/2016 Sharma ..... G06F 1/163  
 345/174  
 2016/0166197 A1 \* 6/2016 Venkatraman ..... A61B 5/7435  
 600/301  
 2017/0340210 A1 \* 11/2017 Chuang ..... A61B 5/0022  
 2019/0041806 A1 \* 2/2019 Zhang ..... G04B 37/0033

OTHER PUBLICATIONS

Fitness Tracker, moreFit Glow, announced Jul. 20, 2017 [online], [retrieved Mar. 30, 2019]. Available from Internet, URL: <https://www.amazon.com=""></https:> (Year: 2017).\*

Oitom Metal Bands, announced 2017 [online], [retrieved Mar. 30, 2019]. Available from Internet, URL: <https://www.amazon.com/Oitom-Compatible-Stainless-Replacement-Accessories/dp/B07H5B9NMX/ref=cm\_cr\_ar\_p\_d\_product\_top?ie=UTF8><https://www.amazon.com="" oitom-compatible-stainless-replacement-accessories="" dp="" b07h5b9nm.\*

Parkfield Supplies Featured Collection, announced 2019 [online], [retrieved Mar. 30, 2019]. Available from Internet, URL: <https://www.parkfieldsupplies.com><https://www.parkfieldsupplies.com=""> (Year: 2019) </https:>.\*

“Oitom metal strap compatible Fitbit Charge 3 band ladies trumpet, magnetic stainless steel Milan ring replacement with wristband accessories for Fitbit Charge 3 Fitness Tracker smart Watch”, Retrieved Apr. 1, 2019]. Retrieved from Internet, https://www.amazon.com/Oitom-Compatible-Stainless-Replacement-Accessories/dp/B07JGL2RZJ/ref=pd\_sim\_200\_4?.

“Aneken Fitness Tracker Heart Rate Monitor Watch Activity Tracker with color screen IP68 Waterproof Smart Watch Sleep Monitor 14 Sport Mode Pedometer Watch Unisex”, Retrieved Apr. 1, 2019]. Retrieved from Internet, https://www.amazon.com/dp/B07GDK24RR/ref=sspa\_dk\_detail\_7?psc=1&pd\_rd\_i=B07GDK24RR&pd\_rd\_w=hqZsk&pd\_rd\_p=21517efd-b385-405b-a405-9a37af61b5b4&pd\_rd\_wg=RnGrk&pf\_rd\_r=V46701X395J8DNA73E6P&pd\_rd\_r=d2d01453-1890-11e9-abd7-79da964e28a8.

“LQM Fitness Tracker, Activity Tracker with Heart Rate Monitor Watch, IP 67 Waterproof Smart Wristband with Calorie Counter, Pedometer Watch for Kids Women and Men, Android and iOS”, Retrieved Apr. 1, 2019]. Retrieved from Internet, https://www.amazon.com/dp/B07DKV3KNH/ref=sspa\_dk\_detail\_3?psc=1&pd\_rd\_i=B07DKV3KNH&pd\_rd\_w=M4cQx&pd\_rd\_p=21517efd-b385-405b-a405-9a37af61b5b4&pd\_rd\_wg=VhgYp&pf\_rd\_r=MEVHGHBYXBVFAZNZG9&pd\_rd\_r=9d97e681-1887-11e9-982d-992e9505a650.

\* cited by examiner



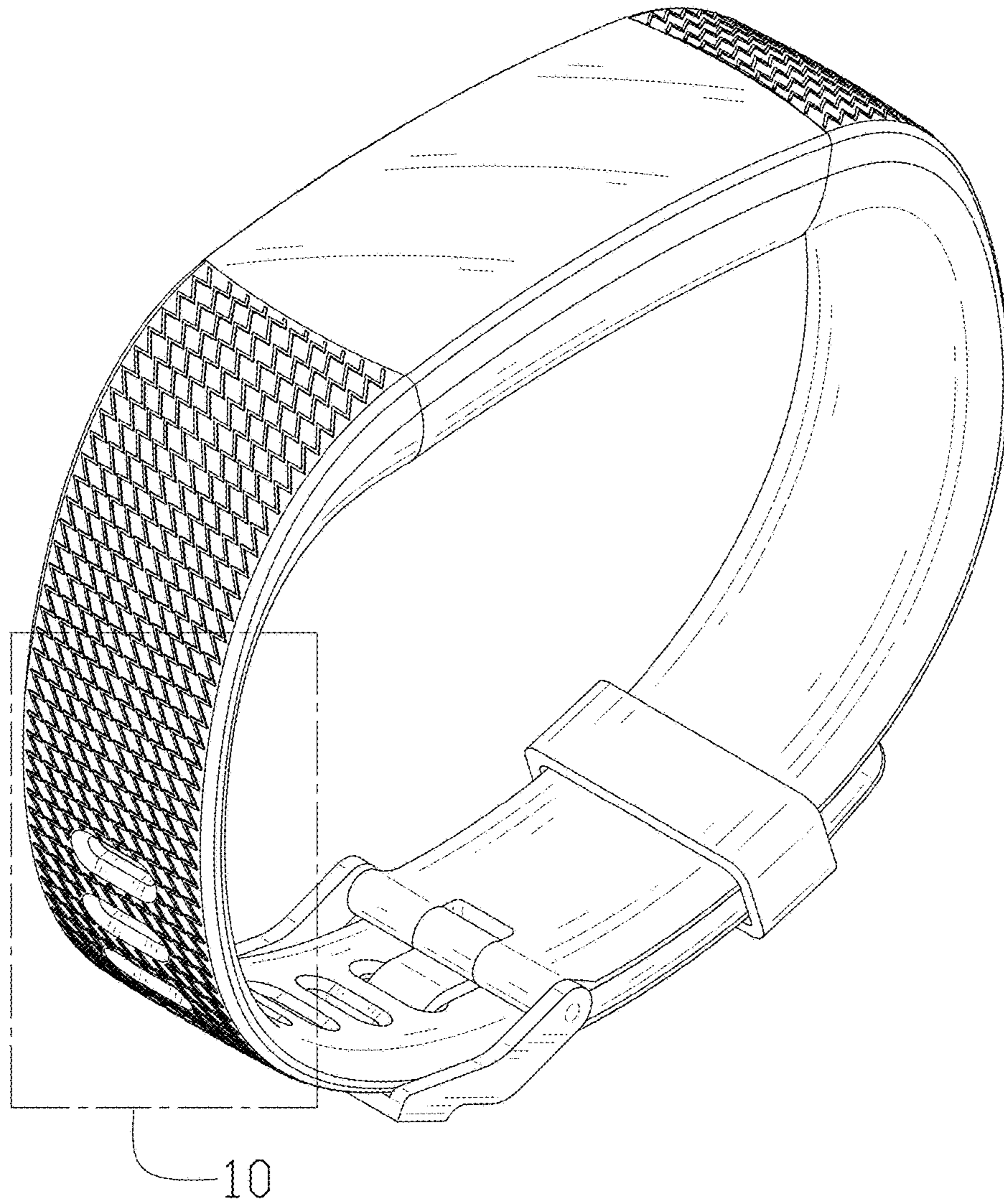


FIG. 1

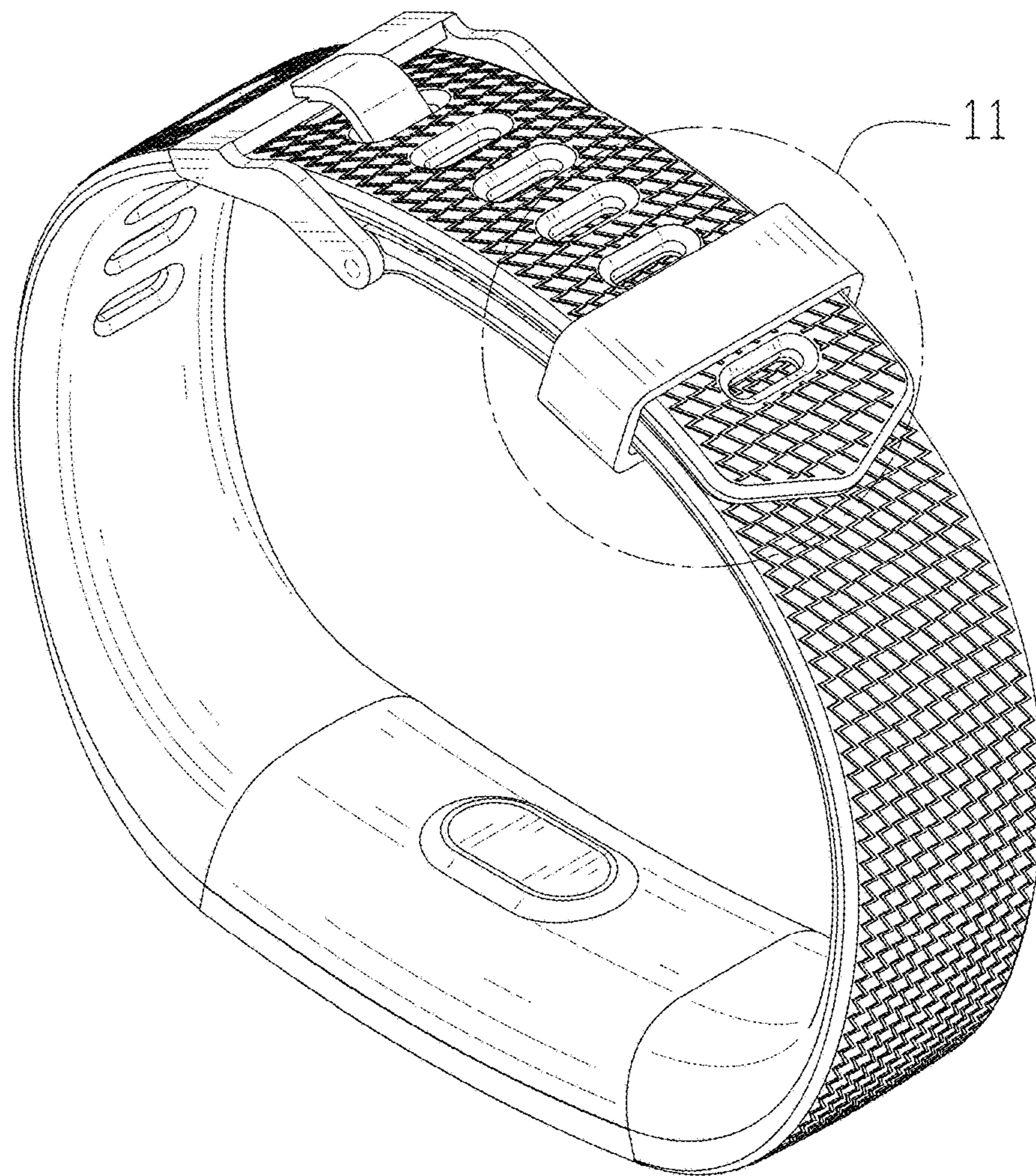


FIG. 2

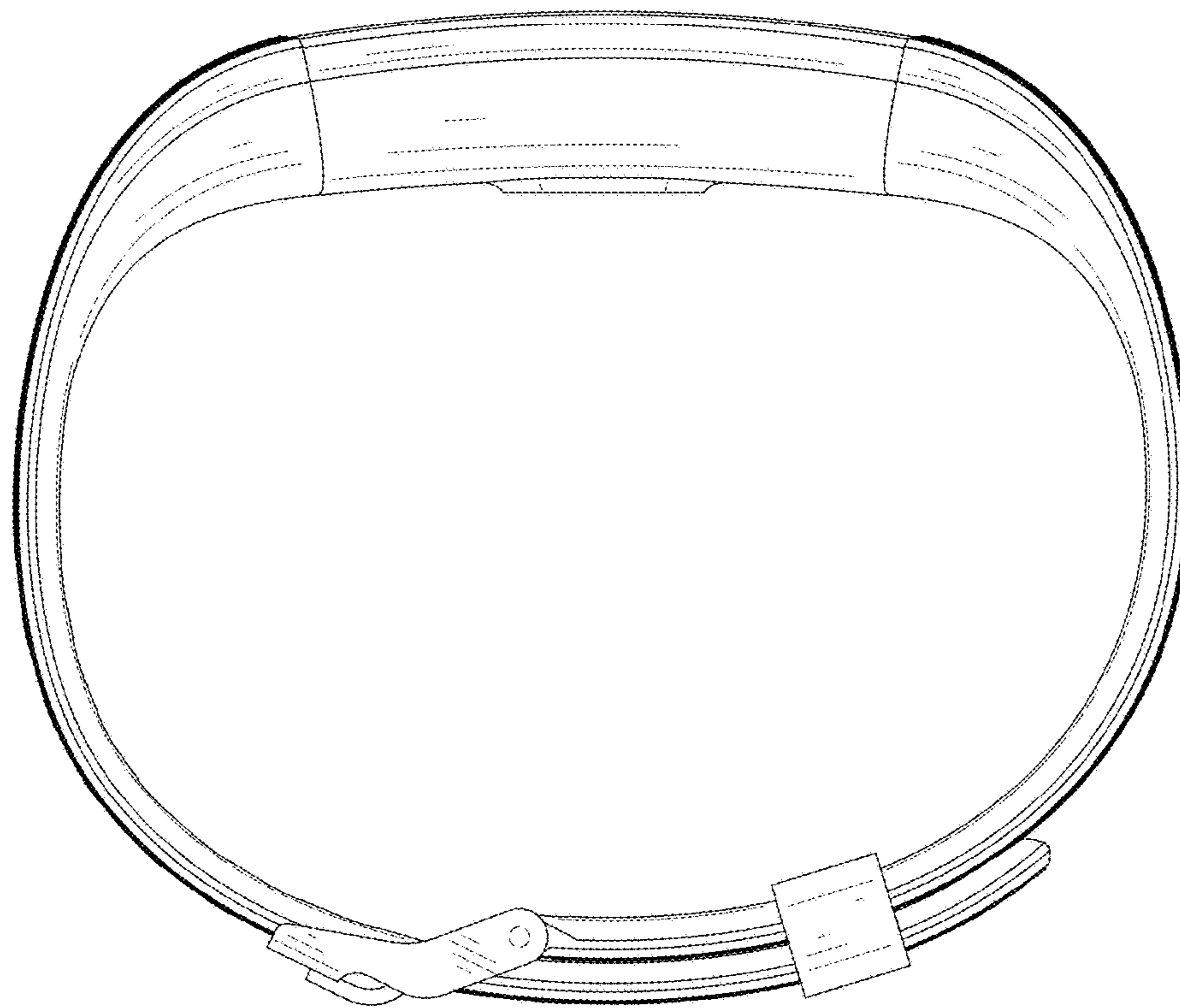


FIG. 3

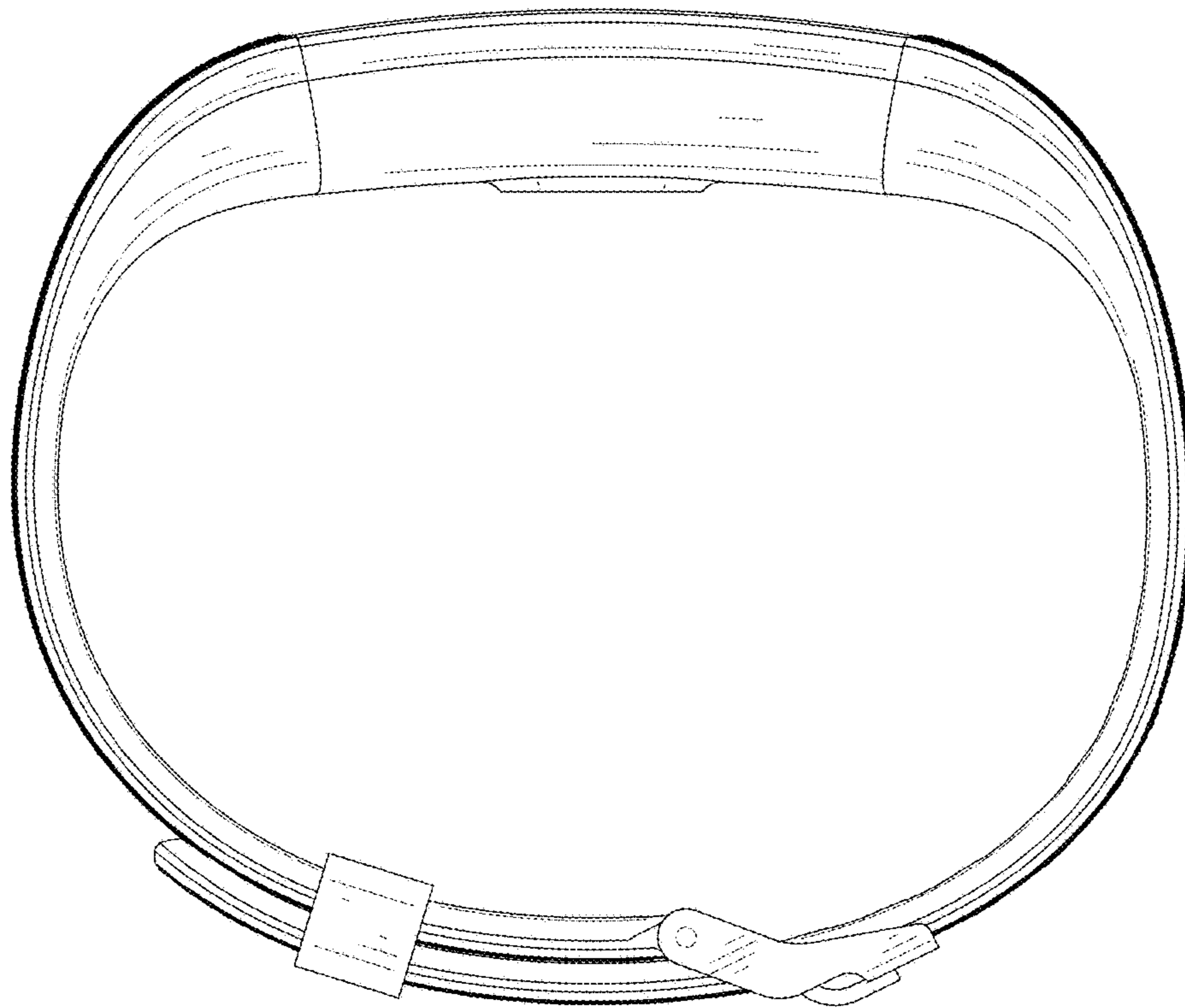


FIG. 4



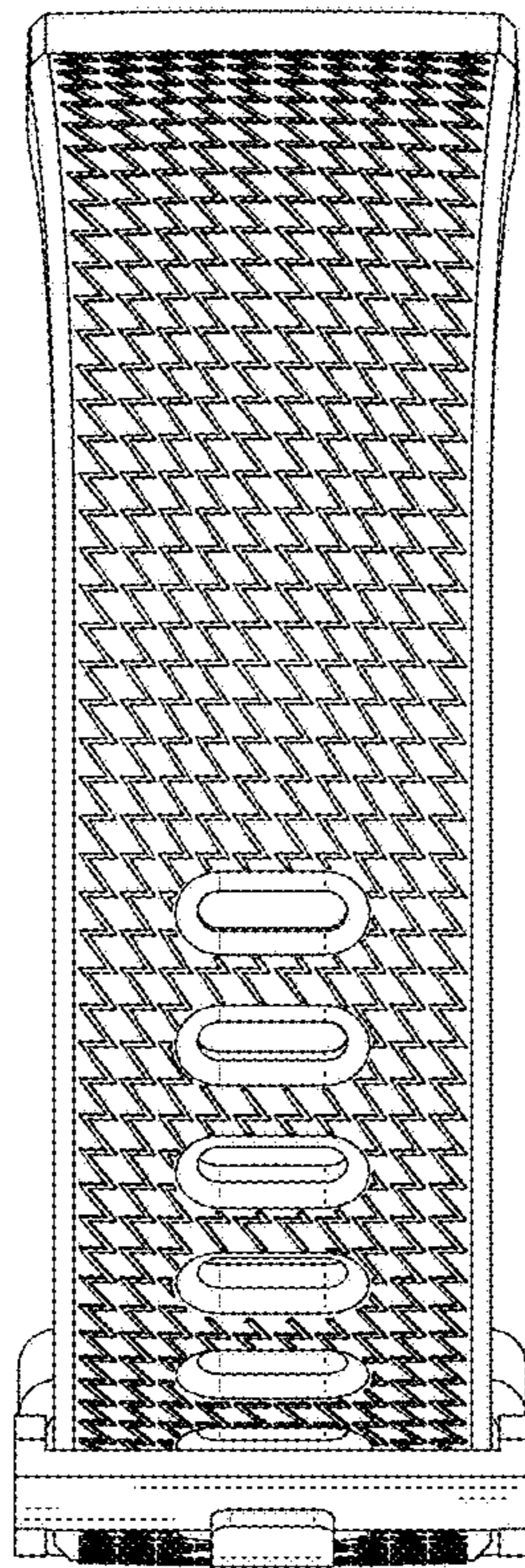


FIG. 5

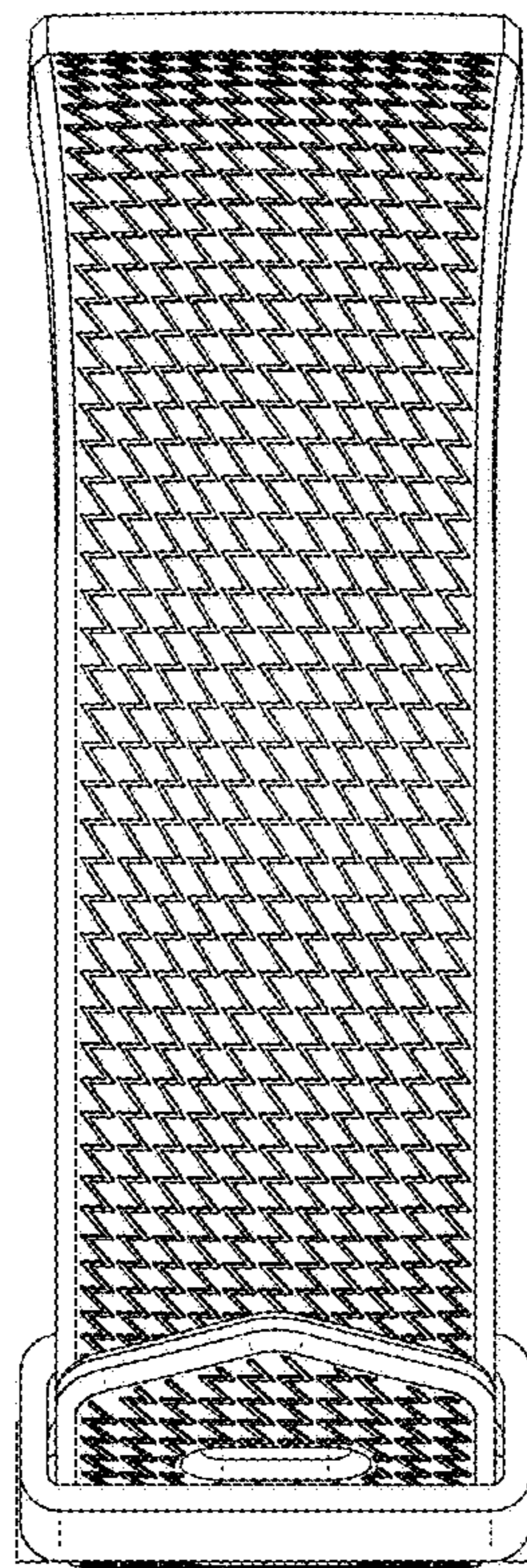


FIG. 6



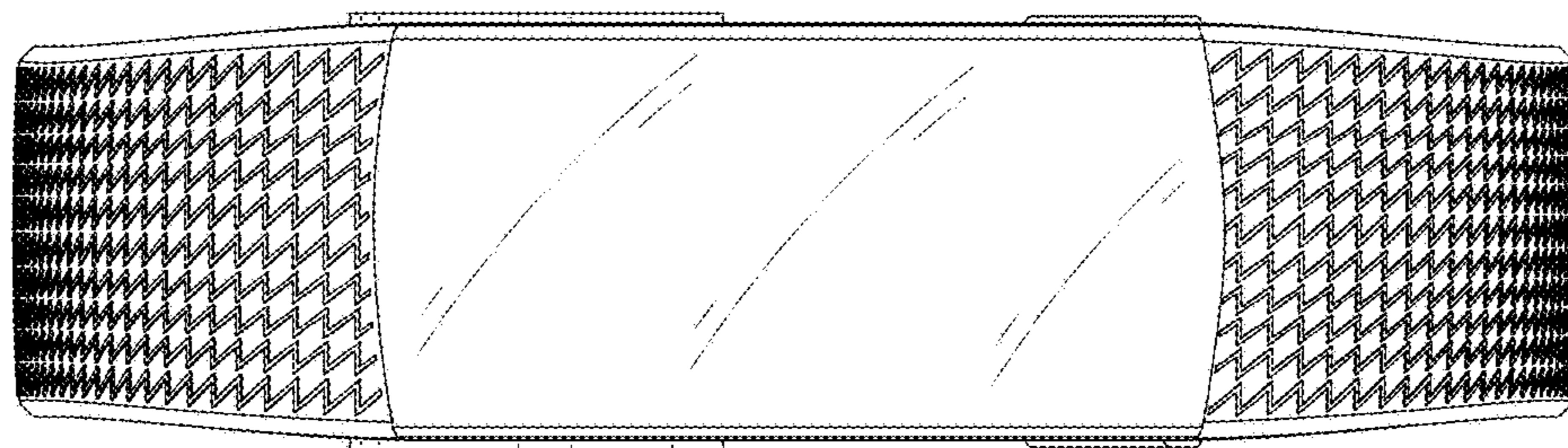


FIG. 7

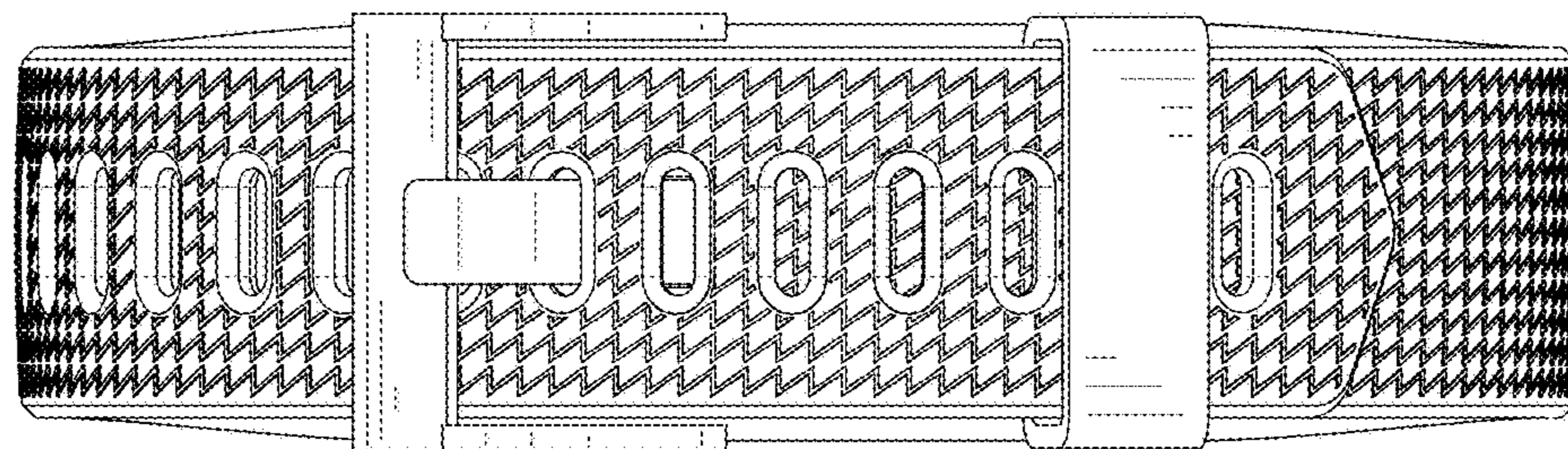


FIG. 8

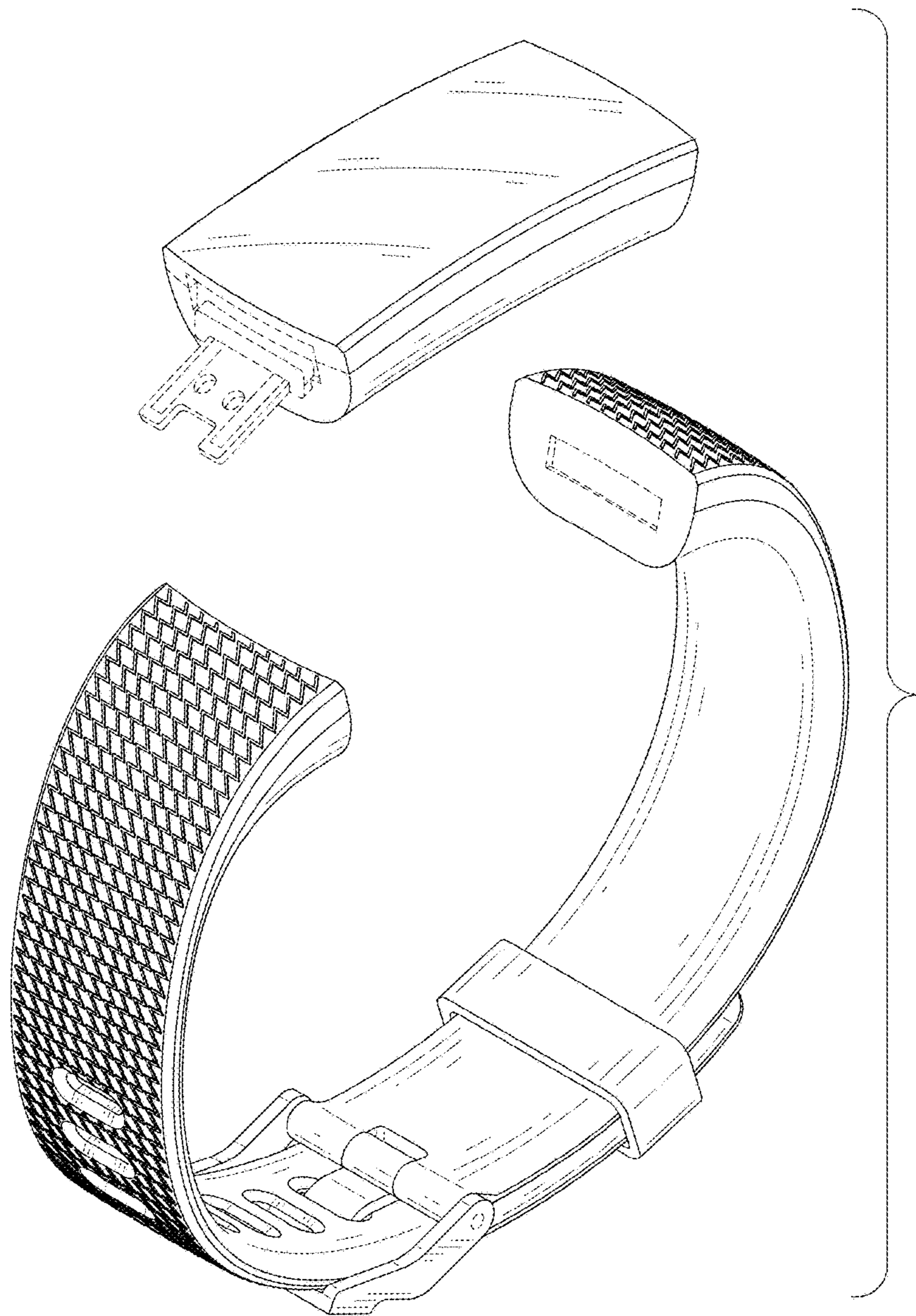


FIG. 9



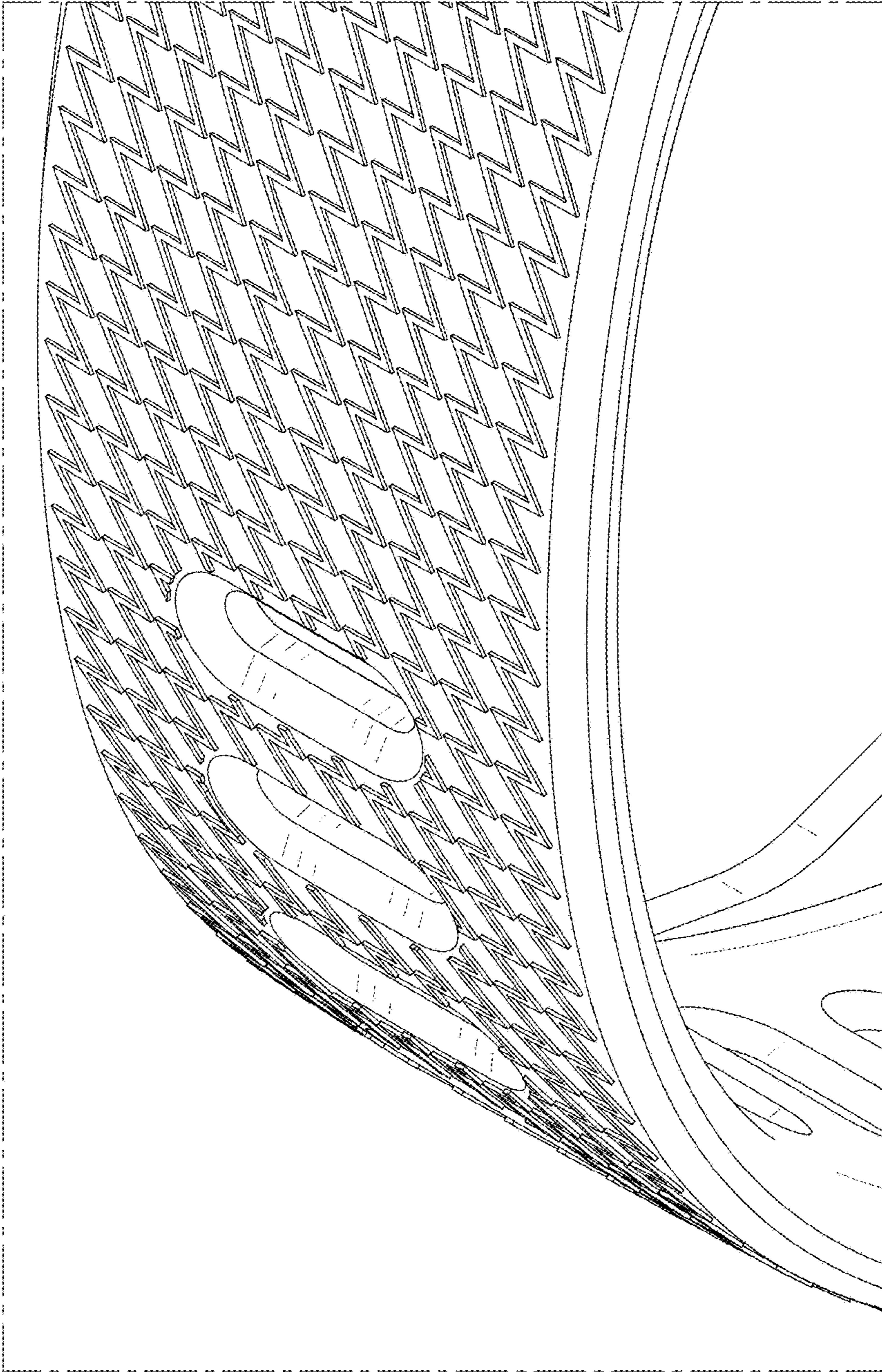


FIG. 10

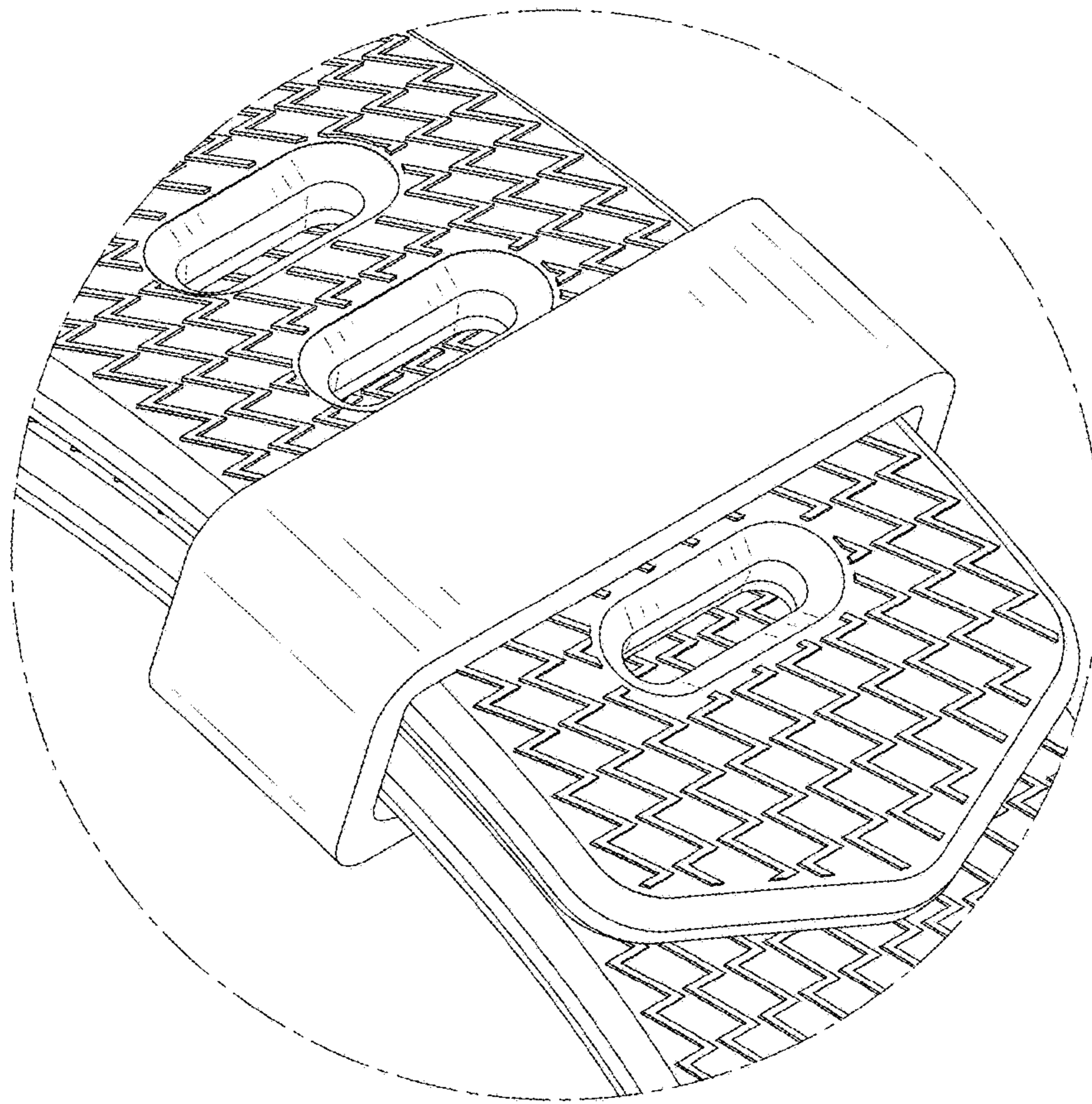


FIG. 11