



US00D862460S

(12) **United States Design Patent** (10) **Patent No.:** **US D862,460 S**
Zhang (45) **Date of Patent:** **** *Oct. 8, 2019**

(54) **SMART WRISTBAND**

(71) Applicant: **Yan Zhang**, Yueyang (CN)

(72) Inventor: **Yan Zhang**, Yueyang (CN)

(*) Notice: This patent is subject to a terminal disclaimer.

(**) Term: **15 Years**

(21) Appl. No.: **29/685,572**

(22) Filed: **Mar. 29, 2019**

Related U.S. Application Data

(63) Continuation-in-part of application No. 29/676,798, filed on Jan. 15, 2019.

(51) **LOC (12) Cl.** **14-02**

(52) **U.S. Cl.**
USPC **D14/344**

(58) **Field of Classification Search**

USPC ... D14/344, 138 R, 144, 341, 358, 205, 223, D14/249; D10/30-39, 70, 98; D11/3, D11/93-94; D24/167, 169, 186-187, D24/106, 173-175

CPC G06F 1/04; G06F 1/08; G06F 1/10; G06F 1/14; G06F 1/1626; G06F 1/1628; G06F 1/163; G06F 1/1635; G06F 1/3203; G06Q 20/10; G06Q 20/12; G06Q 20/108; G06Q 20/145; H04B 1/3833; H04B 1/385; H04B 1/3888; H04M 1/02; H04M 1/03; H04M 1/04; H04M 1/05; H04M 1/667; H04M 1/6058; Y02B 60/1217

See application file for complete search history.

(56) **References Cited**

U.S. PATENT DOCUMENTS

D512,926 S * 12/2005 Kondoh D10/70
D727,759 S * 4/2015 Martinez D10/70
D729,651 S * 5/2015 Nuovo D10/32
D759,826 S * 6/2016 Martinez D24/187

D761,141 S * 7/2016 Wimmer, IV D10/74
D764,340 S * 8/2016 Akana D11/3
D784,831 S * 4/2017 Akana D10/38
D790,374 S * 6/2017 Lean D10/39
9,674,697 B2 * 6/2017 Lee H04B 1/385
D792,888 S * 7/2017 Herrmann D14/480.3
D795,121 S * 8/2017 Akana D11/3

(Continued)

FOREIGN PATENT DOCUMENTS

EM 004527299-0001 11/2017

OTHER PUBLICATIONS

SmartFitness Tracker Watch for IOS & Android, announced 2019 [online], [retrieved Mar. 30, 2019]. Available from Internet, URL: <<https://www.parkfieldsupplies.com>> (Year: 2019).*

(Continued)

Primary Examiner — T Chase Nelson
Assistant Examiner — Dana K Weiland

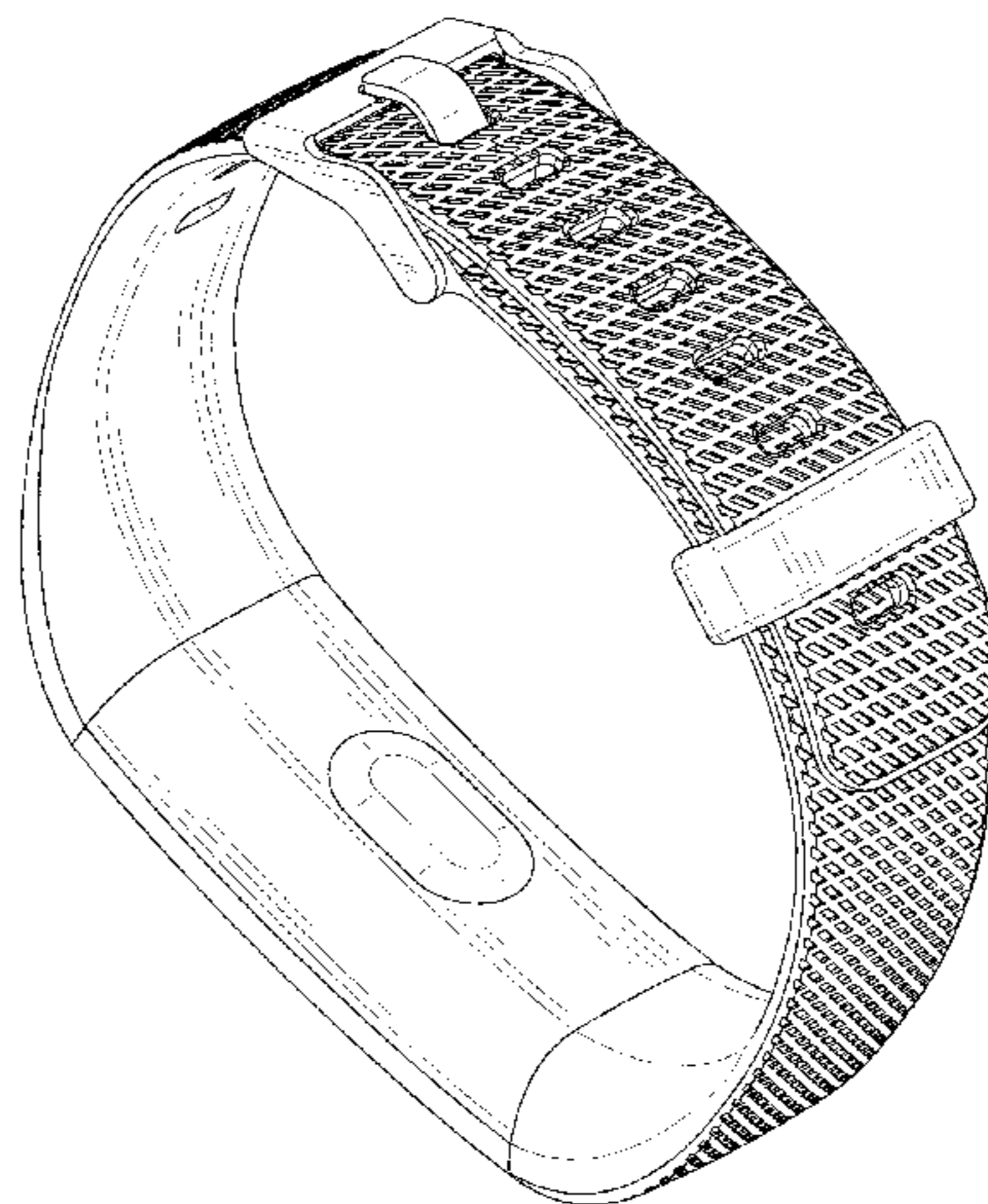
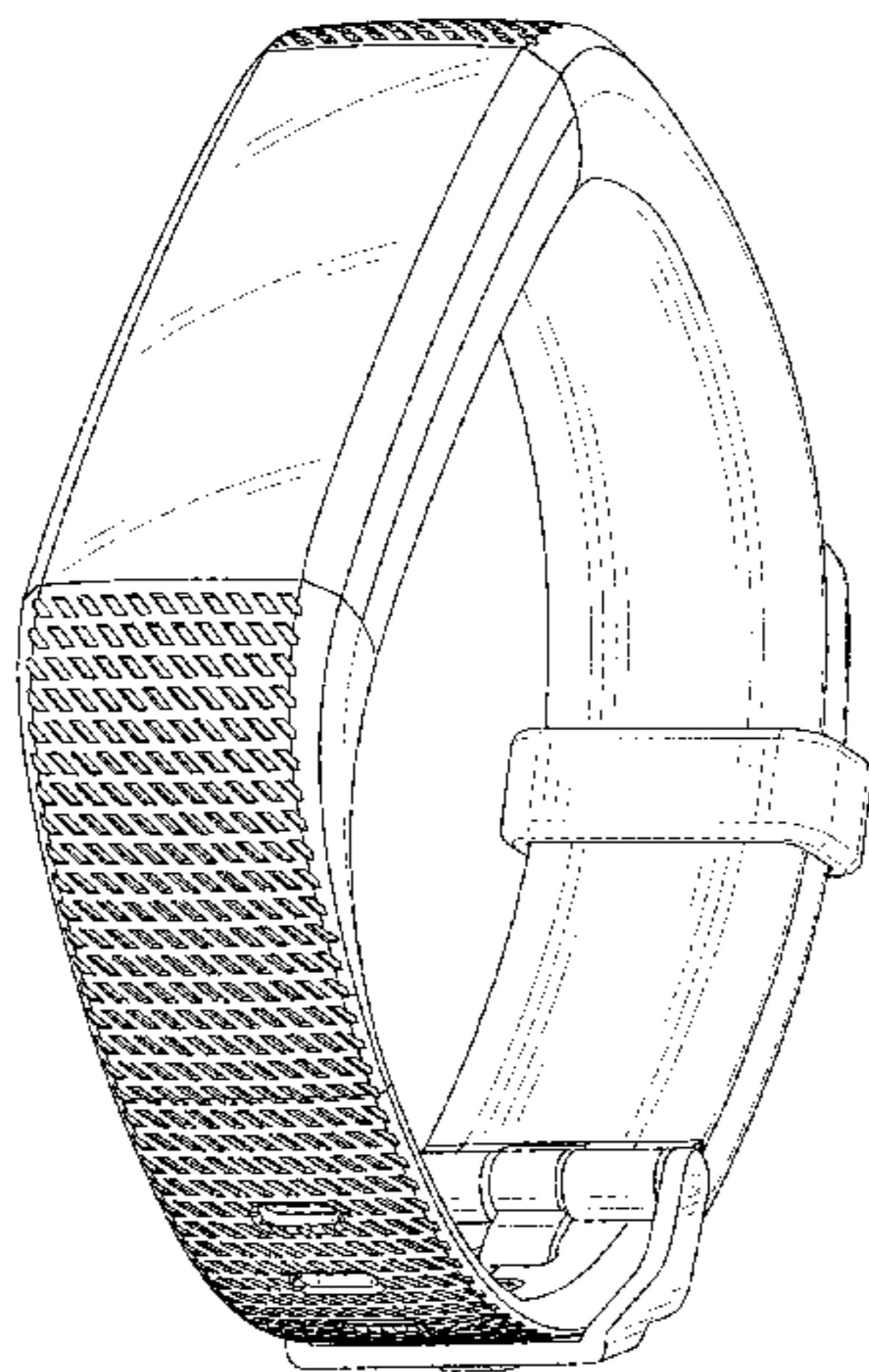
(57) **CLAIM**

The ornamental design for a smart wristband, as shown and described.

DESCRIPTION

FIG. 1 is a perspective view of a smart wristband showing my new design;
FIG. 2 is another perspective view thereof;
FIG. 3 is a front elevational view thereof;
FIG. 4 is a rear elevational view thereof;
FIG. 5 is a left side elevational view thereof;
FIG. 6 is a right side elevational view thereof;
FIG. 7 is a top plan view thereof;
FIG. 8 is a bottom plan view thereof; and,
FIG. 9 is a perspective view of the smart wristband where a watchband is separated from a watch body.
The broken lines in the drawings depict portions of the smart wristband that form no part of the claimed design.

1 Claim, 9 Drawing Sheets



(56)

References Cited

U.S. PATENT DOCUMENTS

D809,144	S *	1/2018	Wu	D24/167
D813,076	S *	3/2018	Akana	D11/5
D815,635	S *	4/2018	Lumme	D14/344
D817,496	S *	5/2018	Stim	D24/167
D817,784	S *	5/2018	Swenson	D10/32
D818,467	S *	5/2018	Son	D14/344
D822,836	S *	7/2018	Wu	D24/186
D831,643	S *	10/2018	Son	D14/344
D831,645	S *	10/2018	Wu	D14/344
D833,625	S *	11/2018	Guan	D24/186
D835,533	S *	12/2018	Zheng	D10/70
D840,041	S *	2/2019	Li	D24/186
D840,043	S *	2/2019	Li	D24/186
D840,859	S *	2/2019	Sethi	D11/3
D841,171	S *	2/2019	Li	D24/186
D843,875	S *	3/2019	Akana	D11/34
D848,875	S *	5/2019	Wildner	D10/70
D851,641	S *	6/2019	Zhang	D14/344
2016/0070393	A1 *	3/2016	Sharma	G06F 1/163 345/174
2016/0166197	A1 *	6/2016	Venkatraman	A61B 5/7435 600/301
2017/0340210	A1 *	11/2017	Chuang	A61B 5/0022
2019/0041806	A1 *	2/2019	Zhang	G04B 37/0033

OTHER PUBLICATIONS

Fitness Tracker, moreFit Glow, announced Jul. 20, 2017 [online], [retrieved Mar. 30, 2019]. Available from Internet, URL: <<https://www.amazon.com>> (Year: 2017).*

Oitom Metal Bands, announced 2017 [online], [retrieved Mar. 30, 2019]. Available from Internet, URL: <https://www.amazon.com/Oitom-Compatible-Stainless-Replacement-Accessories/dp/B07H5B9NMX/ref=cm_cr_arp_d_product_top?ie=UTF8> (Year: 2017).*

Parkfield Supplies Featured Collection, announced 2019 [online], [retrieved Mar. 30, 2019]. Available from Internet, URL: <<https://www.parkfieldsupplies.com>> (Year: 2019).*

“Oitom metal strap compatible Fitbit Cliarge 3 band ladies trumpet, magnetic stainless steel Milan ring replacement with wristband accessories for Fitbit Charge 3 Fitness Tracker smart Watch”, Retrieved Mar. 27, 2019]. Retrieved from Internet, https://www.amazon.com/Oitom-Compatible-Stainless-Replacement-Accessories/dp/B07JGL2RZJ/ref=pd_sim_200_4?

“Aneken Fitness Tracker Heart Rate Monitor Watch Activity Tracker with color screen IP68 Waterproof Smart Watch Sleep Monitor 14 Sport Mode Pedometer Watch Unisex”, Retrieved Mar. 27, 2019]. Retrieved from Internet, https://www.amazon.com/dp/B07GDK24RR/ref=sspa_dk_detail_7?psc=1&pd_rd_i=B07GDK24RR&pd_rd_w=hqZsk&pf_rd_p=21517efd-b385-405b-a405-9a37af61b5b4&pd_rd_wg=RnGrk&pf_rd_r=V46701X395J8DNA73E6P&pd_rd_r=d2d01453-1890-11e9-adb7-79da964e28a8.

“LQM Fitness Tracker, Activity Tracker with Heart Rate Monitor Watch, IP 67 Waterproof Smart Wristband with Calorie Counter, Pedometer Watch for Kids Women and Men, Android and iOS”, Retrieved from Internet, https://www.amazon.com/dp/B07DKV3KNH/ref=sspa_dk_detail_3?psc=1&pd_rd_i=B07DKV3KNH&pd_rd_w=M4cQx&pf_rd_p=21517efd-b385-405b-a405-9a37af61b5b4&pd_rd_wg=VhgYp&pf_rd_r=MEVHGHSBHYXBVFVAZNG9&pd_rd_r=9d97e681-1887-11e9-982d-992e9505a650.

* cited by examiner

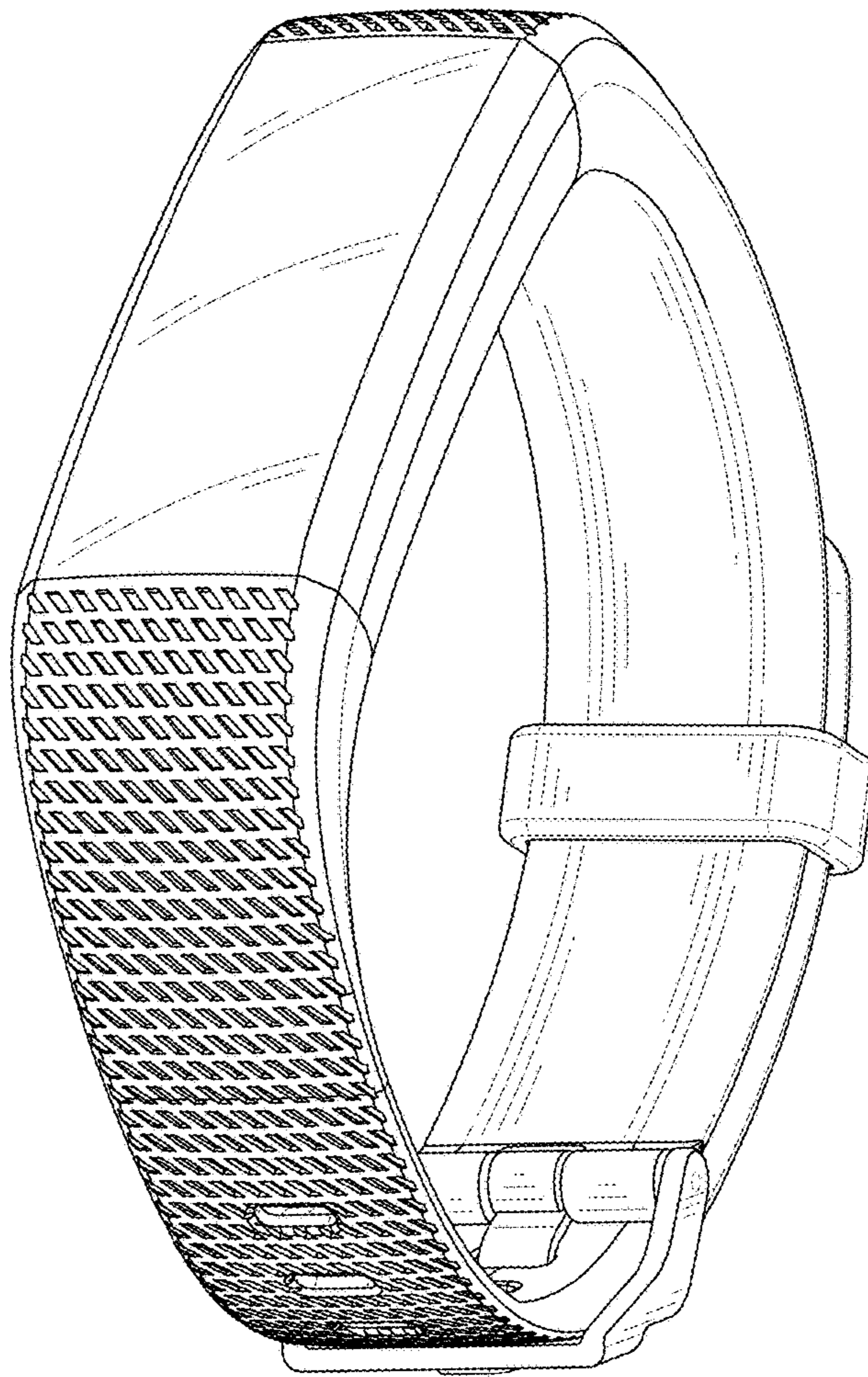


FIG. 1

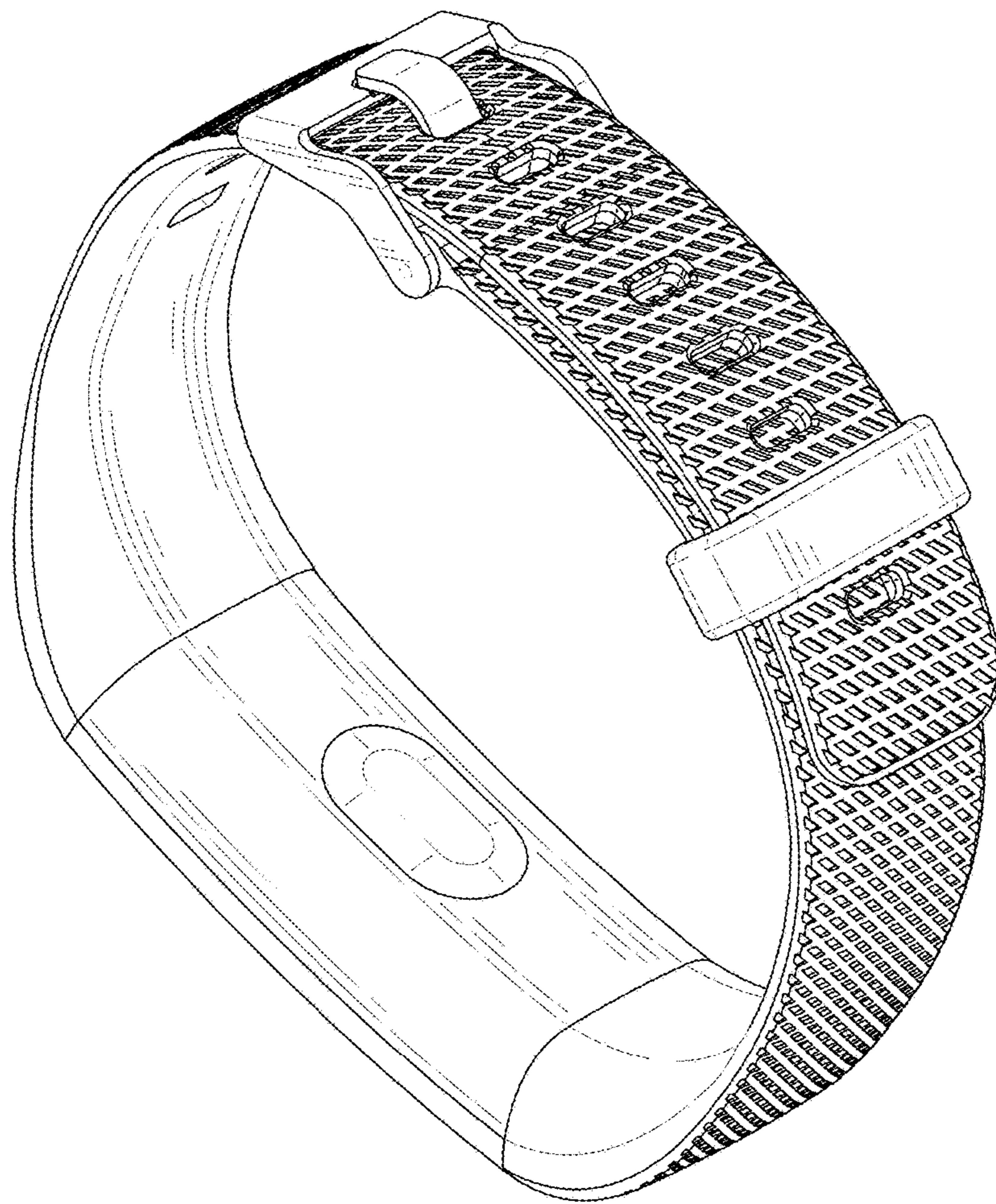


FIG. 2

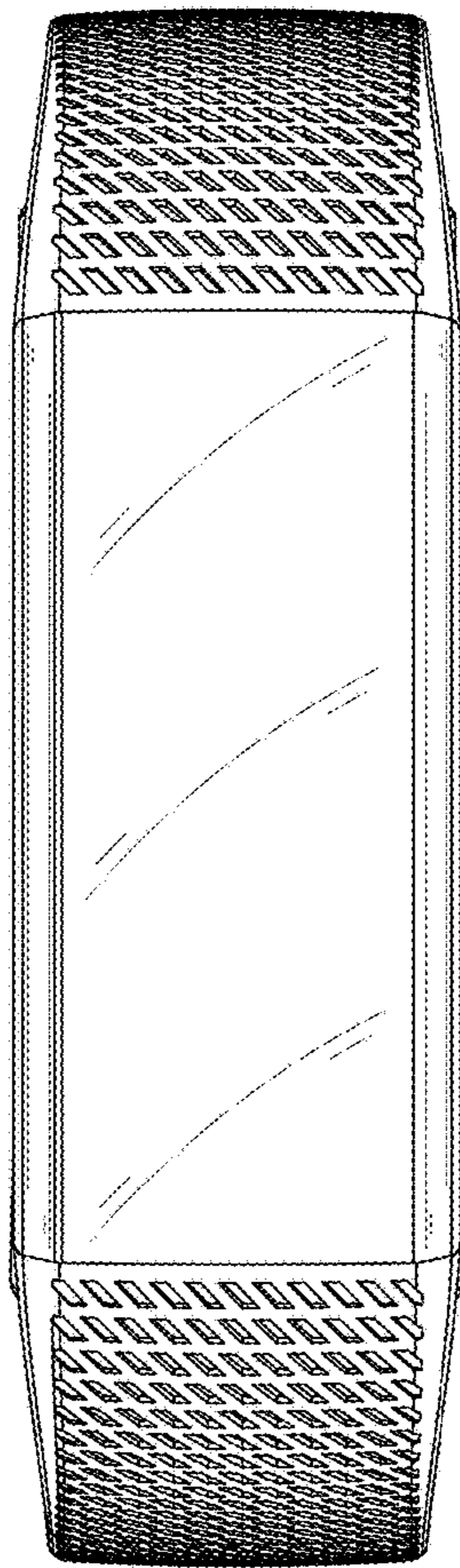


FIG. 3

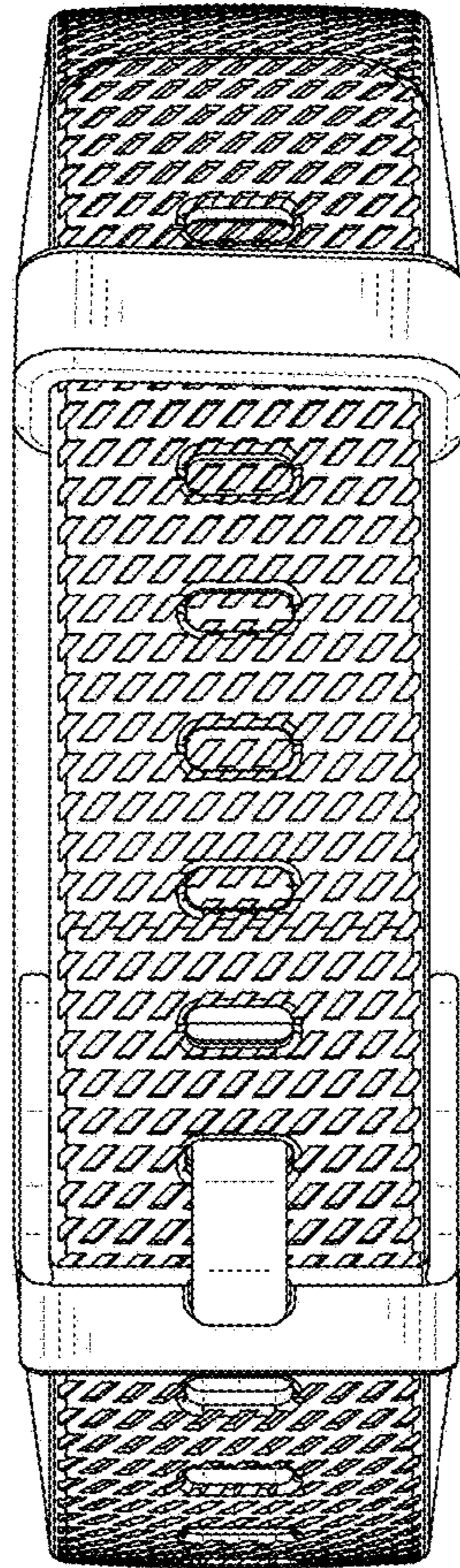


FIG. 4

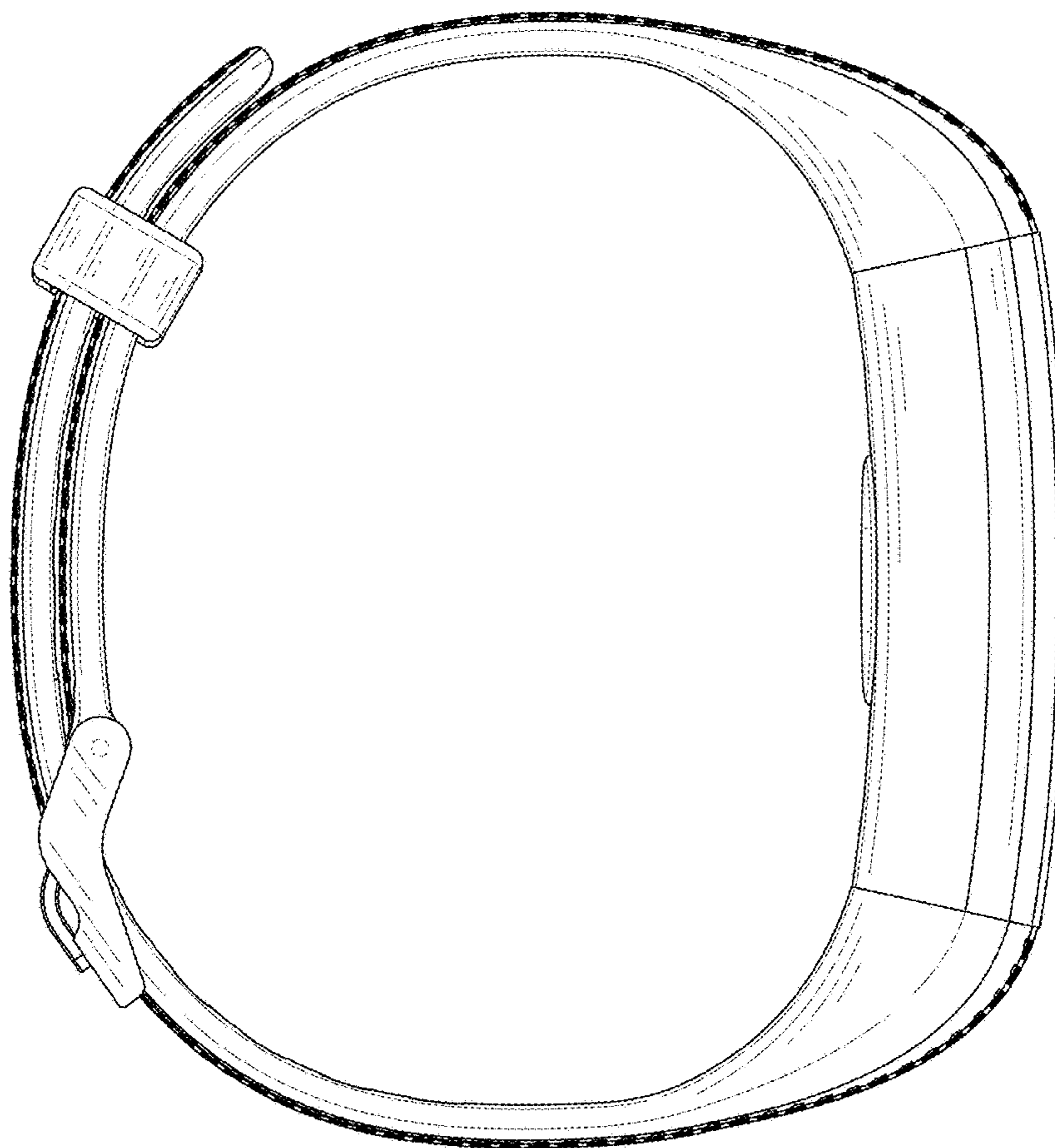


FIG. 5

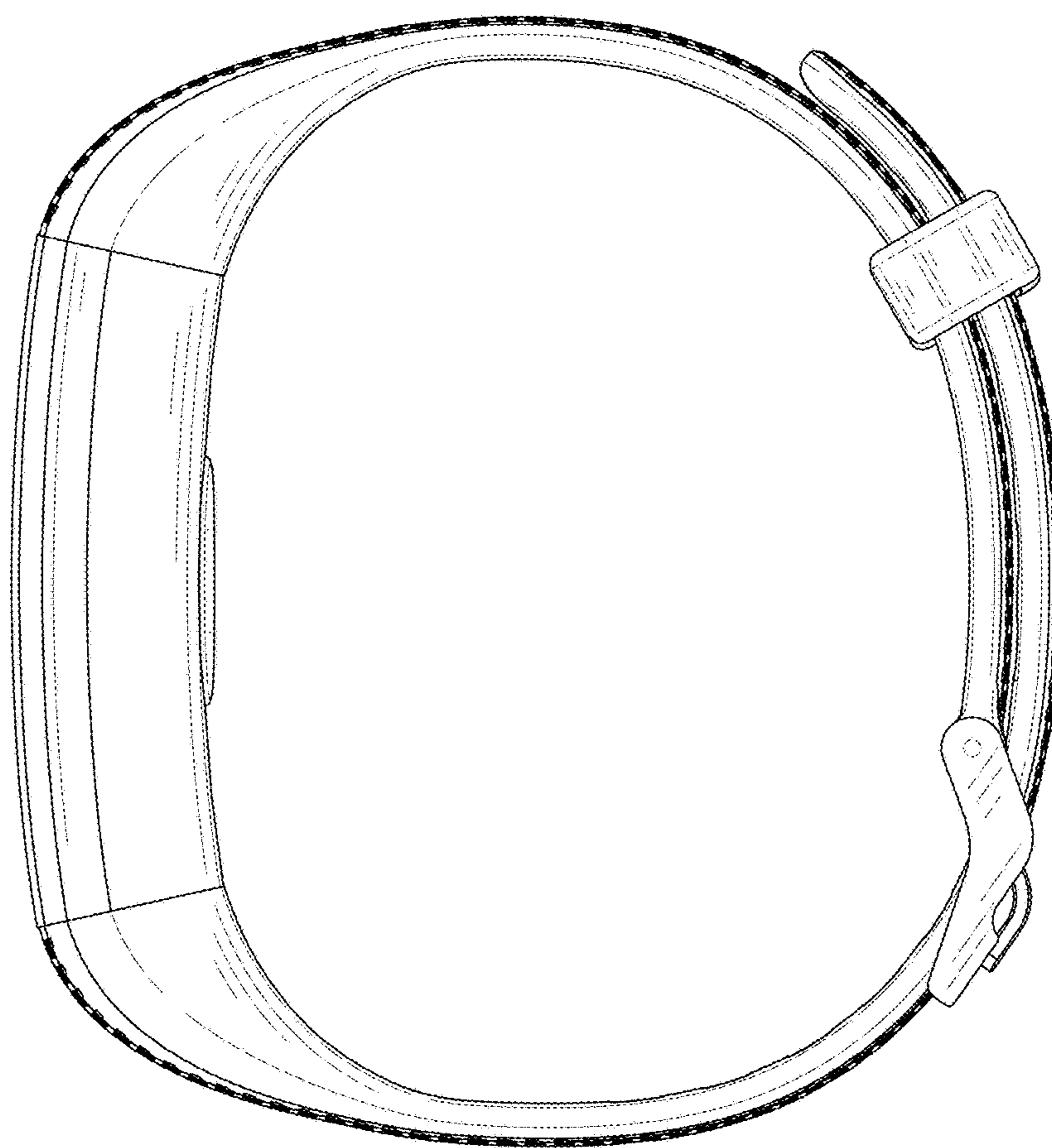


FIG. 6

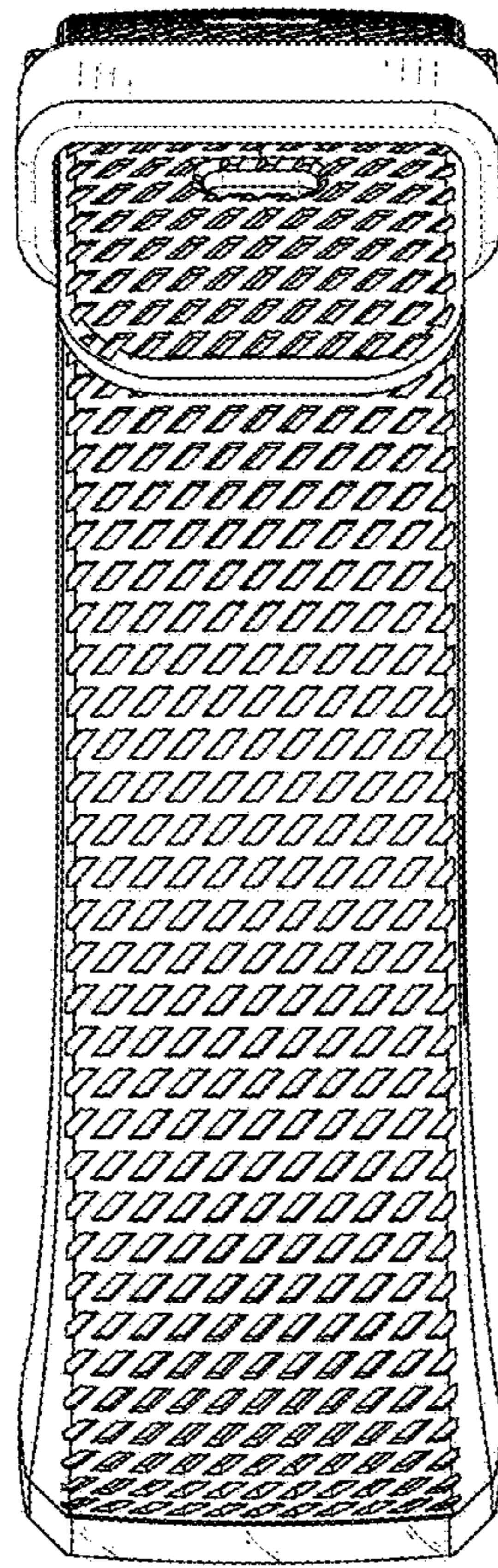


FIG. 7

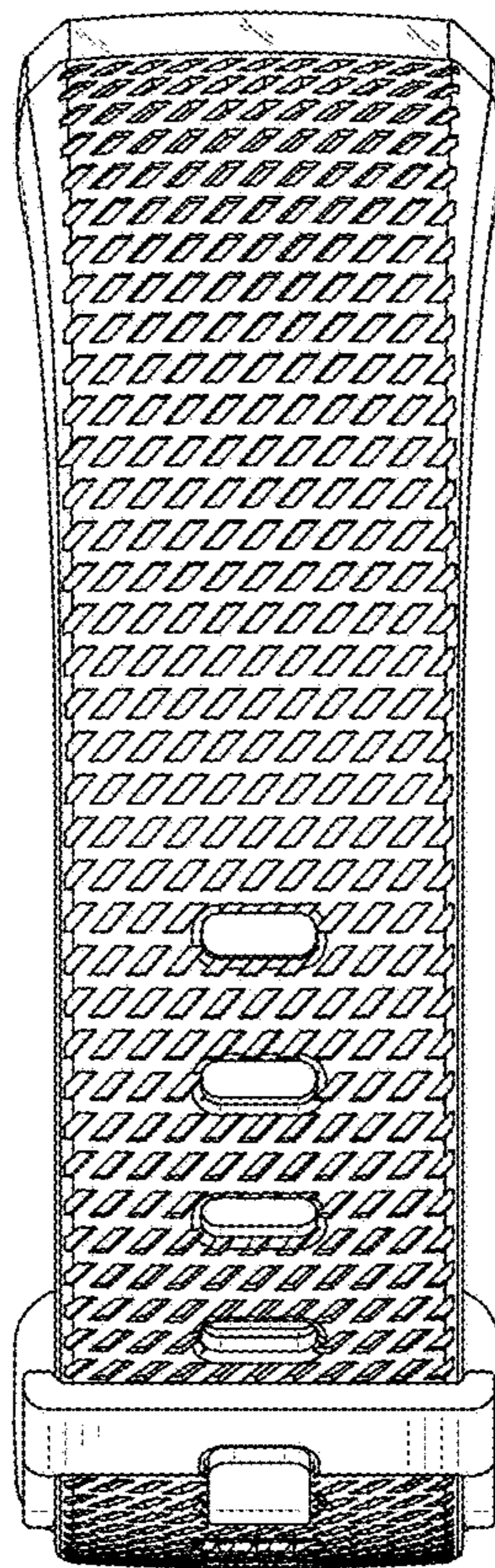


FIG. 8

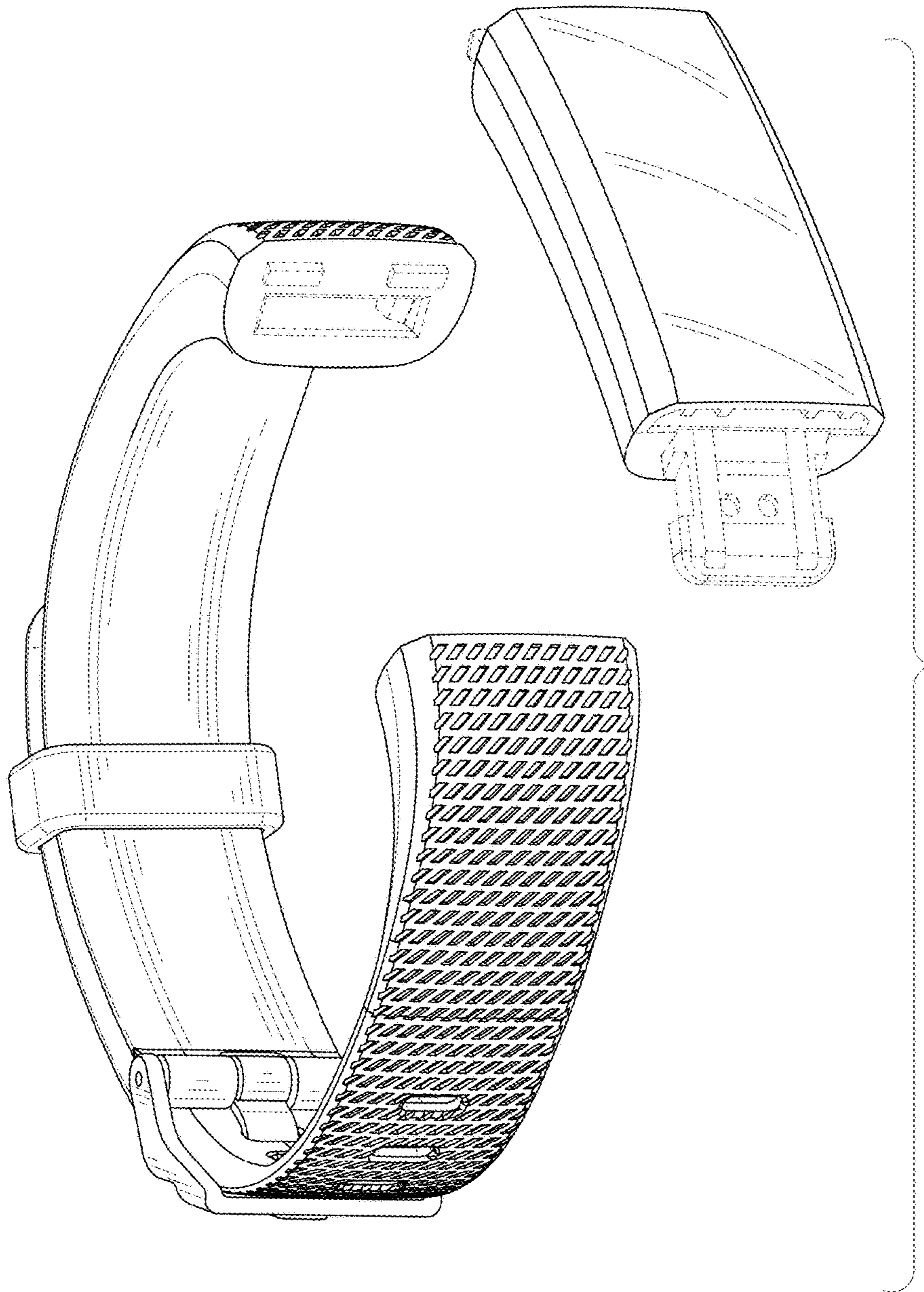


FIG. 9