

US00D862456S

(12) **United States Design Patent**
Nishizawa

(10) **Patent No.:** **US D862,456 S**

(45) **Date of Patent:** **** Oct. 8, 2019**

(54) **DIGITAL NOTEBOOK**

(71) Applicant: **Wacom Co., Ltd.**, Kazo-shi, Saitama (JP)

(72) Inventor: **Naoya Nishizawa**, Tokyo (JP)

(73) Assignee: **Wacom Co., Ltd.**, Kazo-shi (JP)

(**) Term: **15 Years**

(21) Appl. No.: **29/594,646**

(22) Filed: **Feb. 21, 2017**

(30) **Foreign Application Priority Data**

Aug. 26, 2016 (JP) 2016-018159

(51) **LOC (12) Cl.** **14-02**

(52) **U.S. Cl.**
USPC **D14/341**

(58) **Field of Classification Search**
USPC D14/341-347, 125-134, 137, 138 R,
D14/138 AA, 138 AB, 138 C, 138 G, 147,
D14/203.1, 203.3, 203.4, 203.7, 218, 247,
D14/248, 332, 336, 371, 374-377, 388,
D14/389, 315-318, 420, 426, 429, 440,
D14/448, 450, 489, 492, 496;
(Continued)

(56) **References Cited**

U.S. PATENT DOCUMENTS

D523,853 S * 6/2006 Ishikawa D14/345
D617,299 S * 6/2010 Tzeng D14/138 AA
(Continued)

FOREIGN PATENT DOCUMENTS

JP D1547680 S 4/2016
JP D1554118 S 7/2016

OTHER PUBLICATIONS

Artist Review: Wacom Bamboo Slate, posted Oct. 14, 2016, [retrieved May 11, 2018]. Retrieved from Internet, <URL: <https://www.youtube.com/watch?v=8NWEwUVEyZs> >.*

(Continued)

Primary Examiner — Barbara Fox

Assistant Examiner — Kristin E Reed

(74) *Attorney, Agent, or Firm* — Christensen O'Connor Johnson Kindness PLLC

(57) **CLAIM**

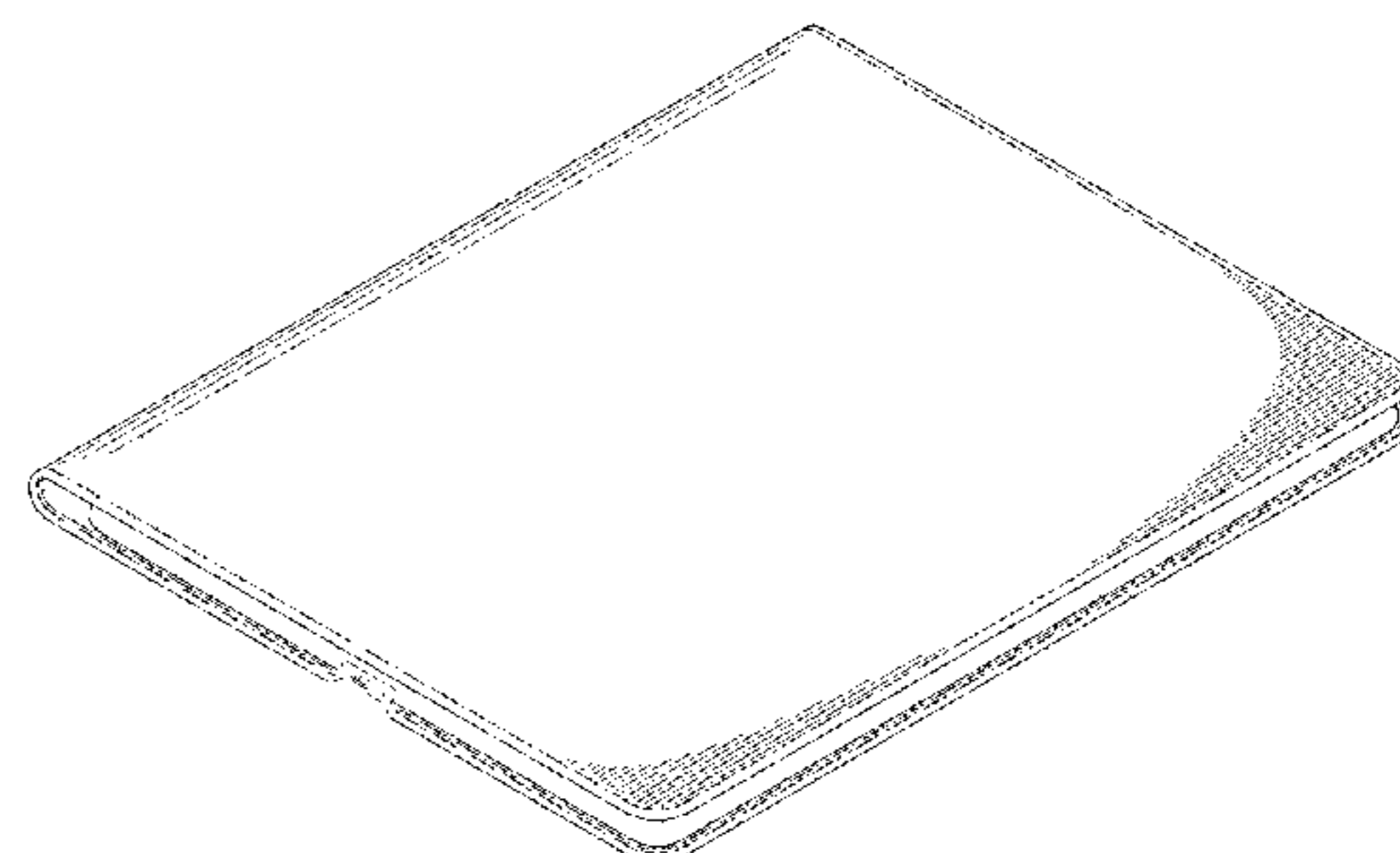
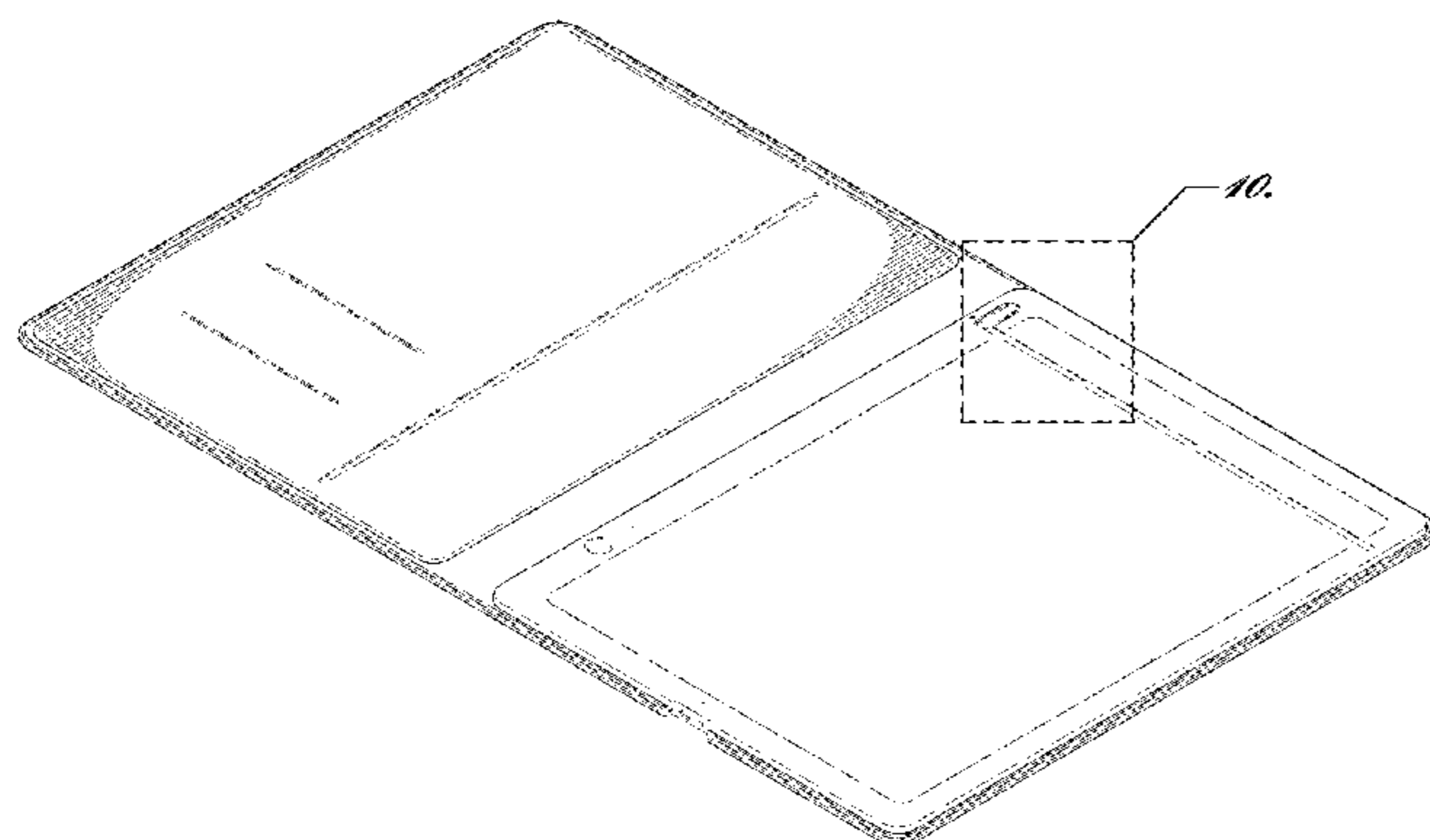
The ornamental design for a digital notebook, as shown and described.

DESCRIPTION

FIG. 1 is a front perspective view of a digital notebook with a cover open according to an embodiment of my new design; FIG. 2 is a rear perspective view of the digital notebook of FIG. 1; FIG. 3 is a front perspective view of the digital notebook of FIG. 1 with the cover closed; FIG. 4 is a front view of the digital notebook of FIG. 1; FIG. 5 is a rear view of the digital notebook of FIG. 1; FIG. 6 is a top view of the digital notebook of FIG. 1; FIG. 7 is a bottom view of the digital notebook of FIG. 1; FIG. 8 is a right view of the digital notebook of FIG. 1; FIG. 9 is a left view of the digital notebook of FIG. 1; FIG. 10 partial perspective view of a portion of the digital notebook indicated in FIG. 1; and, FIG. 11 partial front view of a portion of the digital notebook indicated in FIG. 4.

The dot-dot-dash broken lines indicate the boundary of the enlarged portions of the drawings. The remaining broken lines in the figures depict portions of the digital notebook. The broken lines form no part of the claimed design.

1 Claim, 9 Drawing Sheets



(58) **Field of Classification Search**

USPC D6/300–310; D10/50, 65, 98, 104.1;
 D16/241; D18/6; D20/10, 19, 39;
 D21/329, 330
 CPC . A63H 33/3016; G06F 1/1613; G06F 1/1641;
 G06F 1/1643; G06F 1/1647; G06F
 3/04883; G06F 3/0486; G06F 3/04847;
 G06F 3/04845; G06F 3/0484; G06F
 3/04817; H05K 5/0004; H05K 5/0017;
 H05K 5/02; H05K 5/0217; H04M 1/0279;
 H04M 1/0281; H04M 1/0283; H04N
 13/0459

See application file for complete search history.

(56) **References Cited**

U.S. PATENT DOCUMENTS

D629,798 S *	12/2010	Arie	D14/341
D689,054 S *	9/2013	Snyder	D14/440
D698,787 S *	2/2014	Kim	D14/341
D710,349 S *	8/2014	Han	D14/341
D722,059 S *	2/2015	Hirst	D14/440
9,035,872 B2 *	5/2015	Brown	G06F 3/01 345/156

D741,867 S *	10/2015	Liu	D14/440
D742,873 S *	11/2015	Ahn	D14/341
D745,869 S *	12/2015	Ahn	D14/345
D751,546 S *	3/2016	Guo	D14/341
9,728,839 B2 *	8/2017	Gu	H01Q 1/243
D796,515 S *	9/2017	Kim	D14/440
D808,949 S *	1/2018	Zuniga	D14/316

OTHER PUBLICATIONS

Wacom Bamboo Folio and Bamboo Slate Review, posted Sep. 9, 2016, [retrieved May 11, 2018]. Retrieved from Internet, <URL: <https://www.laptopmag.com/reviews/accessories/wacom-bamboo-folio-and-slate#>>.*

Wacom Bamboo smart notepads review: Wacom's smart notepads slowly bridge the digital note-taking divide, posted Sep. 1, 2016, [retrieved May 11, 2018]. Retrieved from Internet, <URL: <https://www.cnet.com/products/wacom-bamboo-smart-notepads/review/>>.*

Moleskine Tablet Cover for iPad Air with Volant Reporter Notebook, posted Apr. 15, 2015, [retrieved May 11, 2018]. Retrieved from Internet, <URL: <http://gadgetsin.com/moleskine-tablet-cover-for-ipad-air-with-volant-reporter-notebook.htm>>.*

* cited by examiner

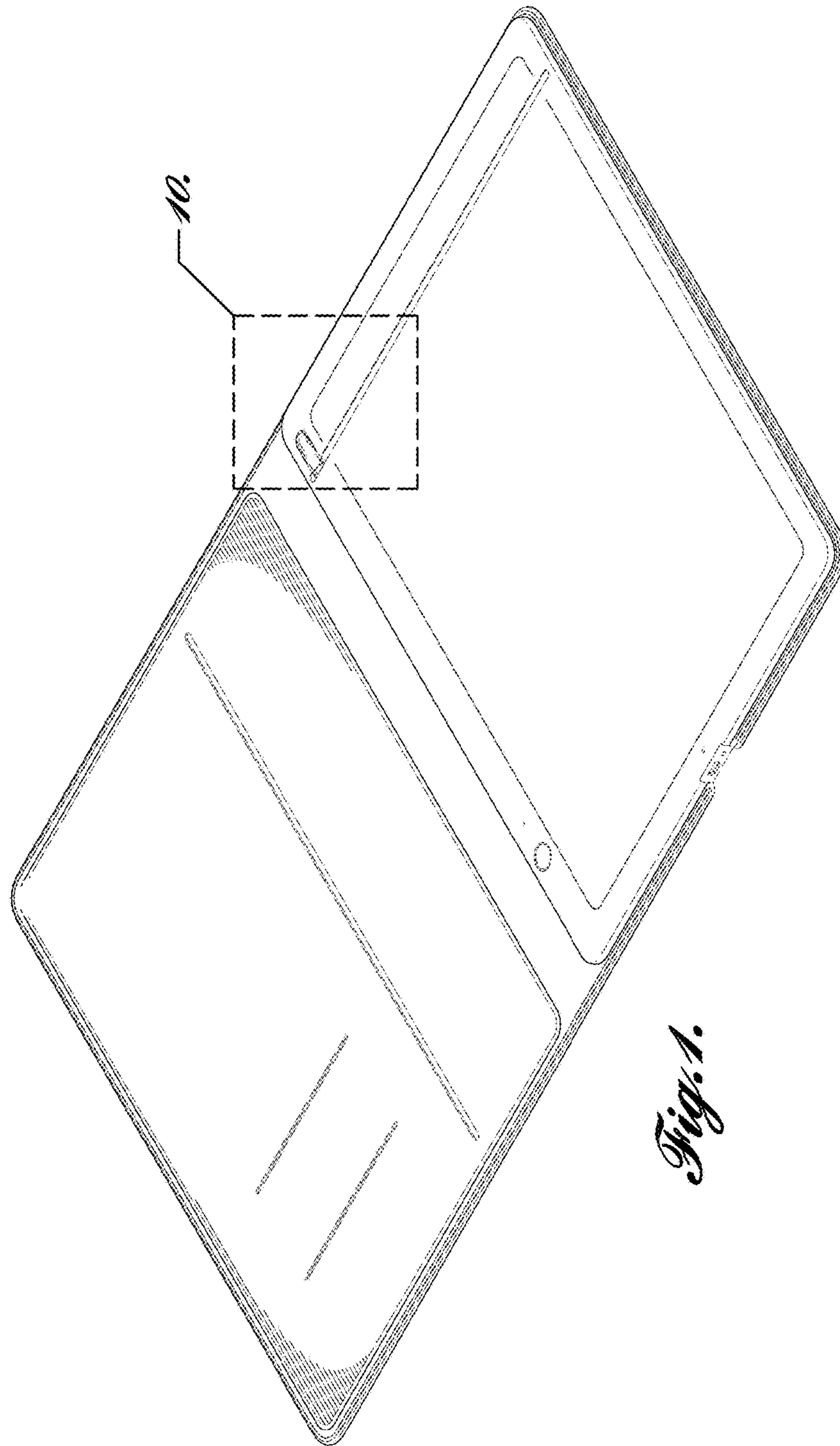


Fig. 1.

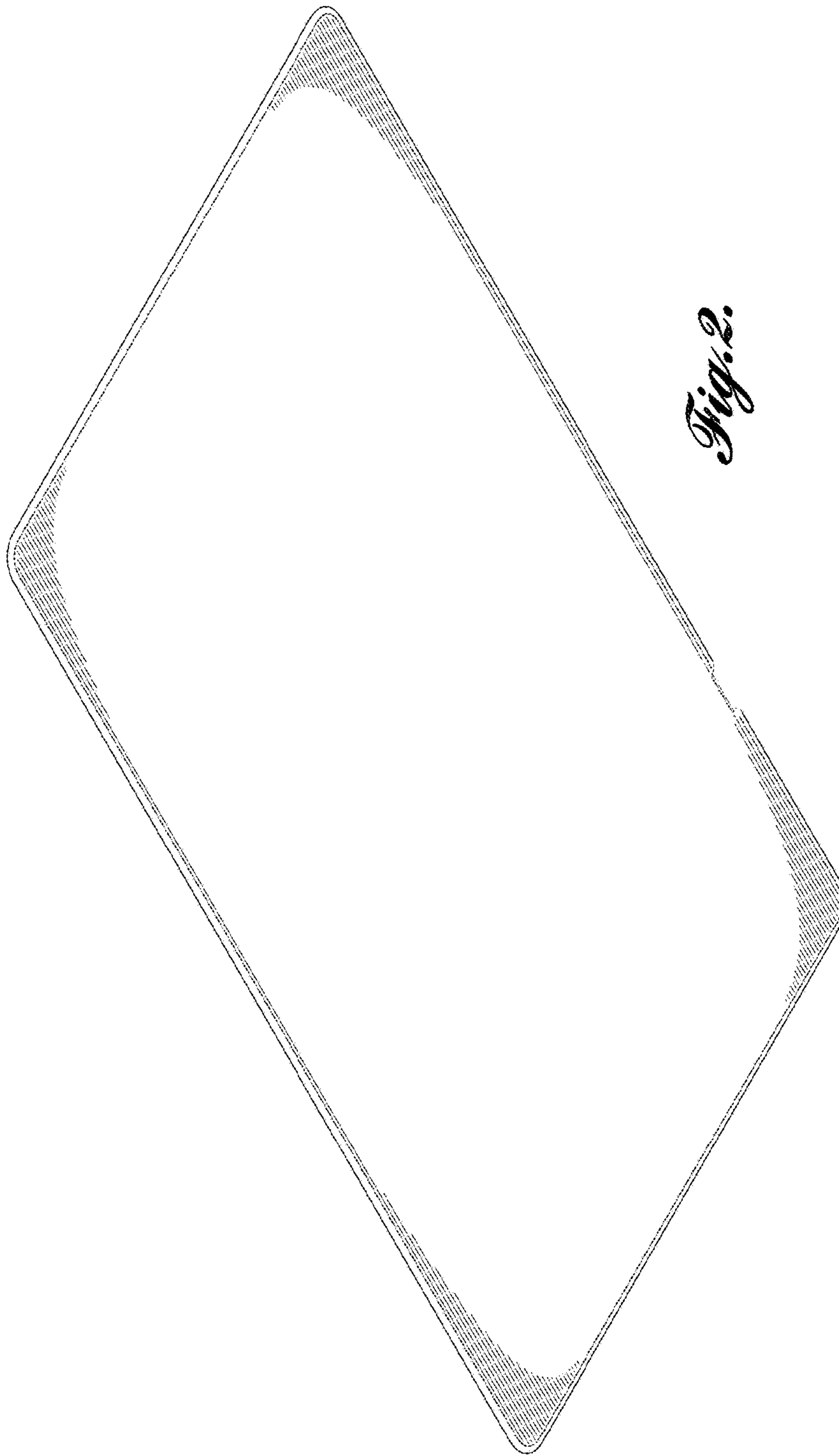
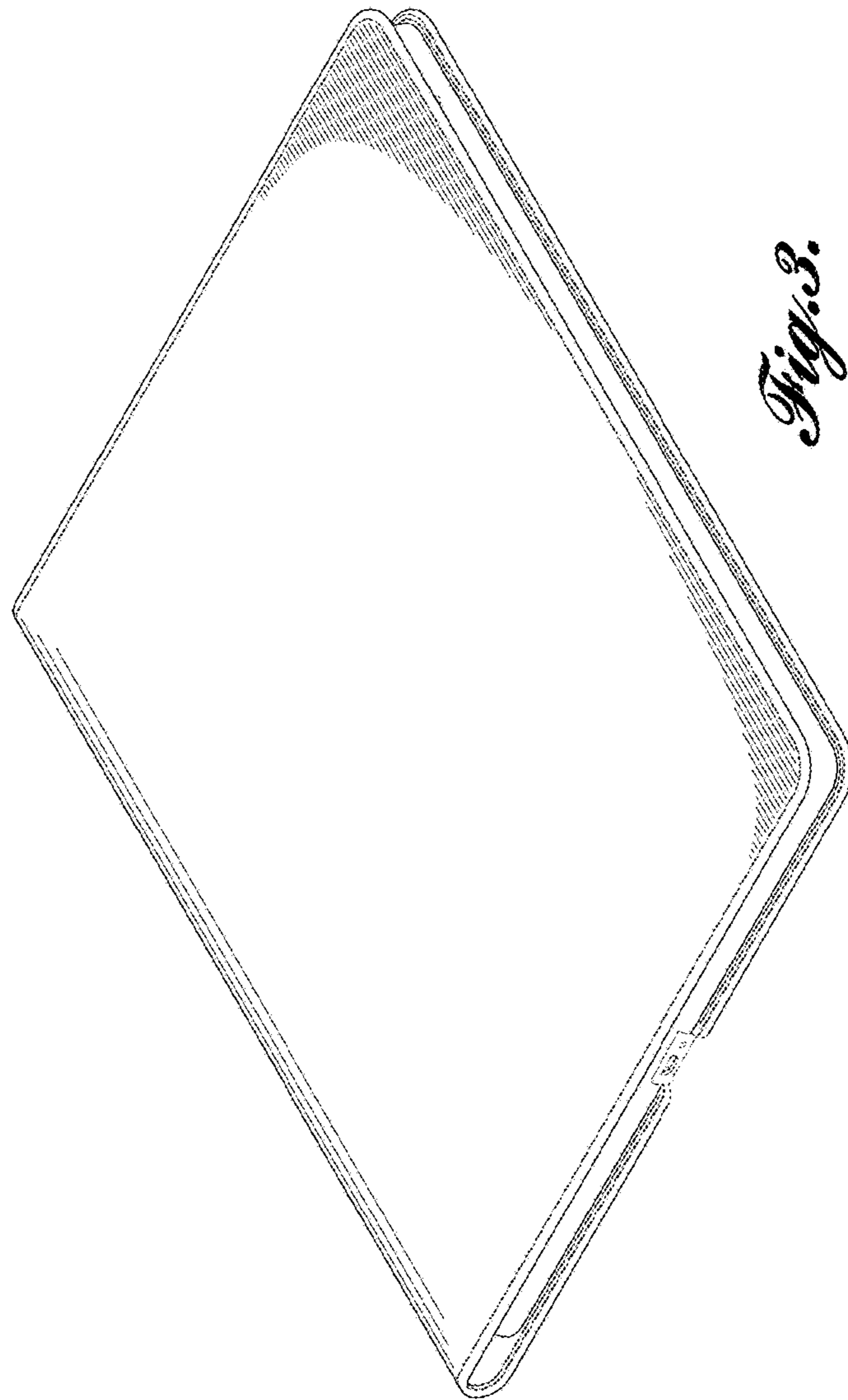
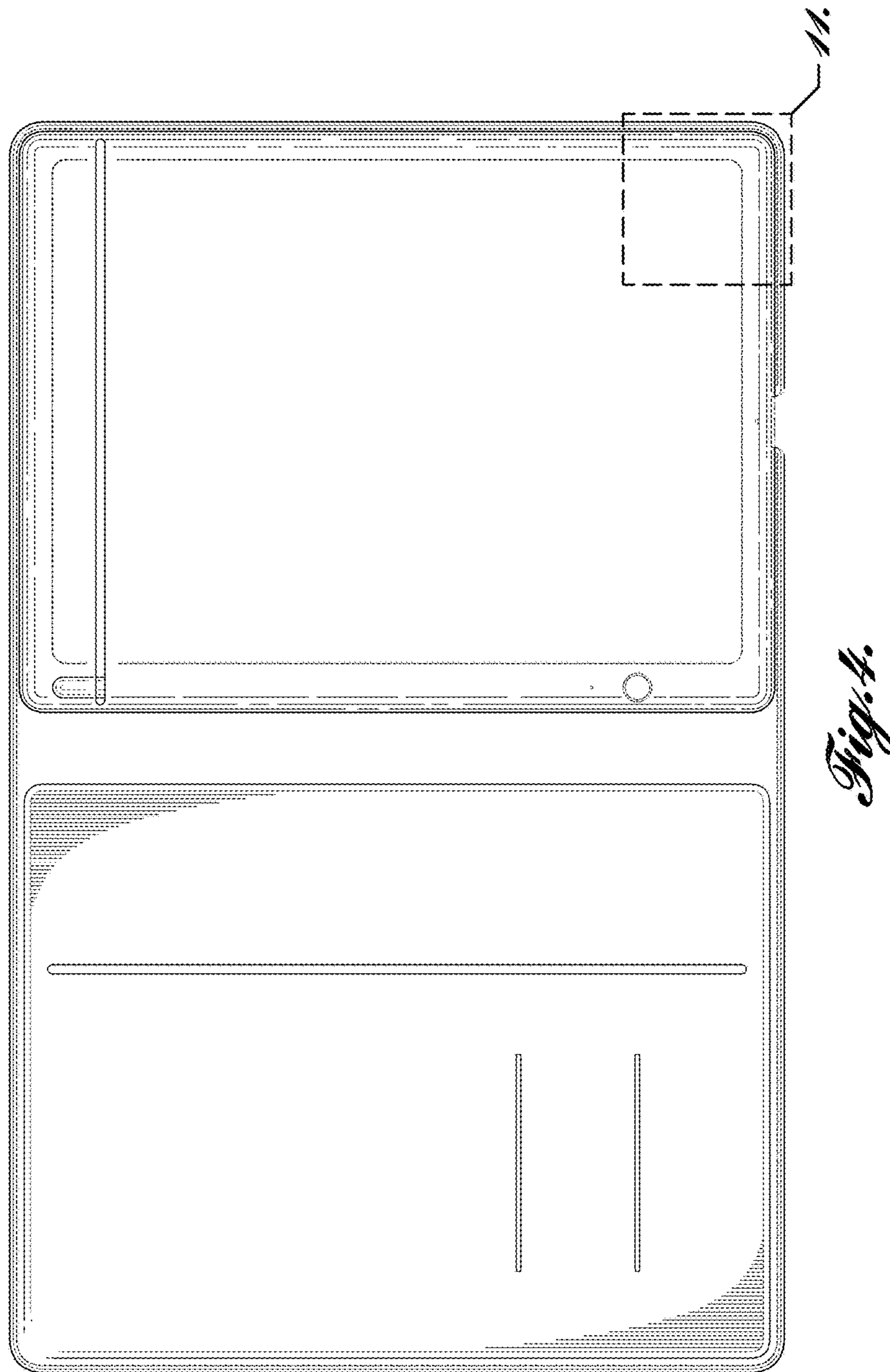


Fig. 2.





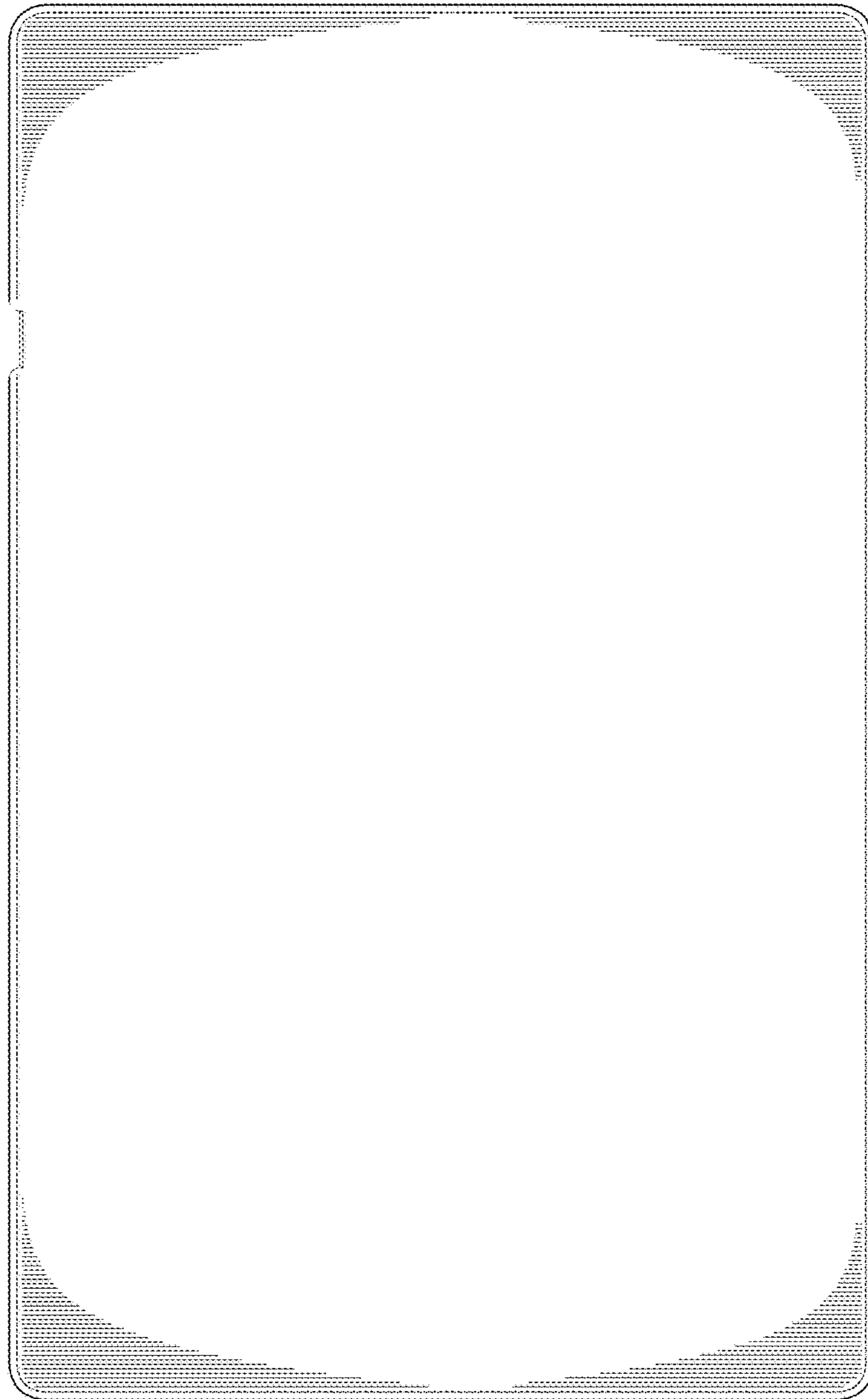


Fig. 5.

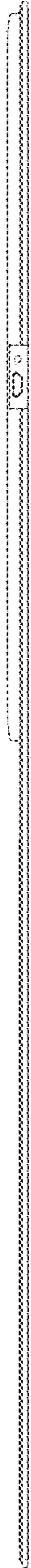


Fig. 6.

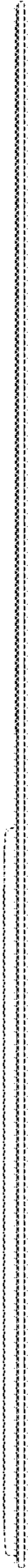


Fig. 7.

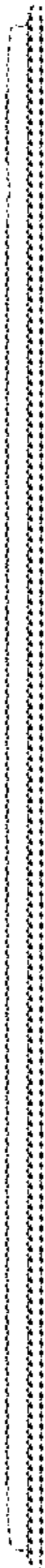


Fig. 8.

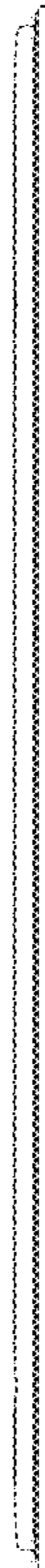


Fig. 9.

Fig. 10.

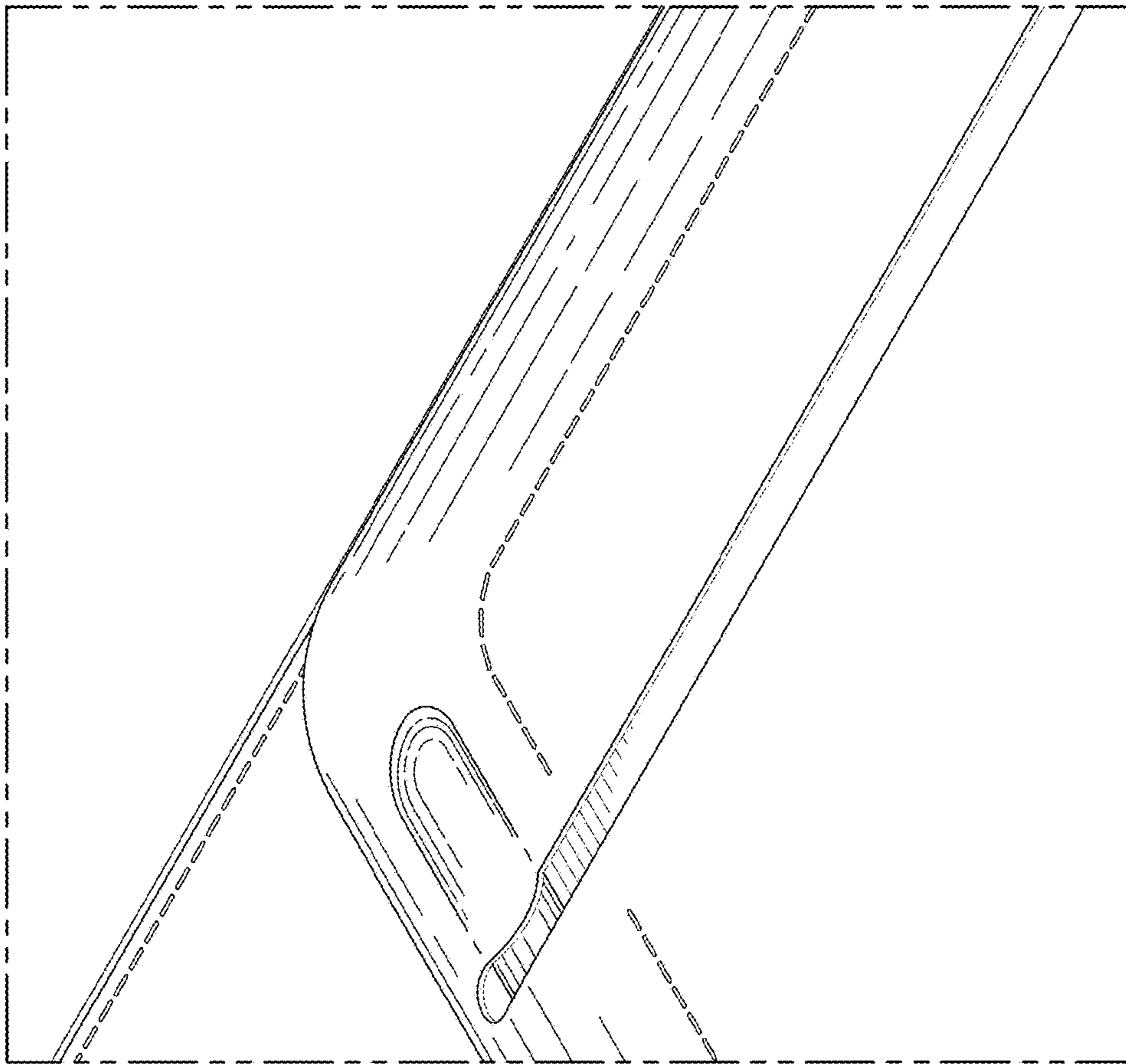


Fig. 11.

