



US00D862455S

(12) **United States Design Patent**  
**Nagano et al.**

(10) **Patent No.:** **US D862,455 S**

(45) **Date of Patent:** **\*\* Oct. 8, 2019**

(54) **SERVER FOR DATA**

(71) Applicant: **Konica Minolta, Inc.**, Chiyoda-ku,  
Tokyo (JP)

(72) Inventors: **Masakazu Nagano**, Nishinomiya (JP);  
**Thomas Edward Keen**, London (GB);  
**Nicholas Woodley**, London (GB);  
**Astrid Nathalie Xavier Vanhuyse**,  
London (GB); **Manon Bourette**,  
London (GB)

(73) Assignee: **KONICA MINOLTA, INC.**,  
Chiyoda-Ku, Tokyo (JP)

(\*\*) Term: **15 Years**

(21) Appl. No.: **29/617,767**

(22) Filed: **Sep. 15, 2017**

(30) **Foreign Application Priority Data**

Mar. 16, 2017 (JP) ..... 2017-005397  
Mar. 16, 2017 (JP) ..... 2017-005398

(51) **LOC (12) Cl.** ..... **14-02**

(52) **U.S. Cl.**  
USPC ..... **D14/301**

(58) **Field of Classification Search**  
CPC . G06F 1/20; G06F 1/181; G06F 1/187; G06F  
1/183; G06F 1/184; G06F 1/16; H05K  
7/16; H05K 7/1424; H05K 7/1409; H05K  
7/20; H05K 7/20545; H05K 7/20727;  
H05K 7/1425; H05K 7/1488; H05K  
7/183; H05K 7/14; H05K 5/00; H05K  
7/00; H05H 7/20; G11B 33/126; G11B  
33/128; G11B 33/08; G11B 33/02  
See application file for complete search history.

(56) **References Cited**

**U.S. PATENT DOCUMENTS**

D421,114 S \* 2/2000 Lozzio ..... D23/332  
D495,709 S \* 9/2004 Walker ..... D14/375

D533,854 S \* 12/2006 Rashid ..... D14/126  
D538,421 S \* 3/2007 Russak ..... D23/382  
D580,932 S \* 11/2008 Tzou ..... D14/356  
D598,018 S \* 8/2009 Sumii ..... D14/301  
D650,385 S \* 12/2011 Chiu ..... D14/371  
D719,146 S \* 12/2014 Herbst ..... D14/253

(Continued)

*Primary Examiner* — Sandra S Snapp

*Assistant Examiner* — Katherine Glennon

(74) *Attorney, Agent, or Firm* — Buchanan Ingersoll &  
Rooney PC

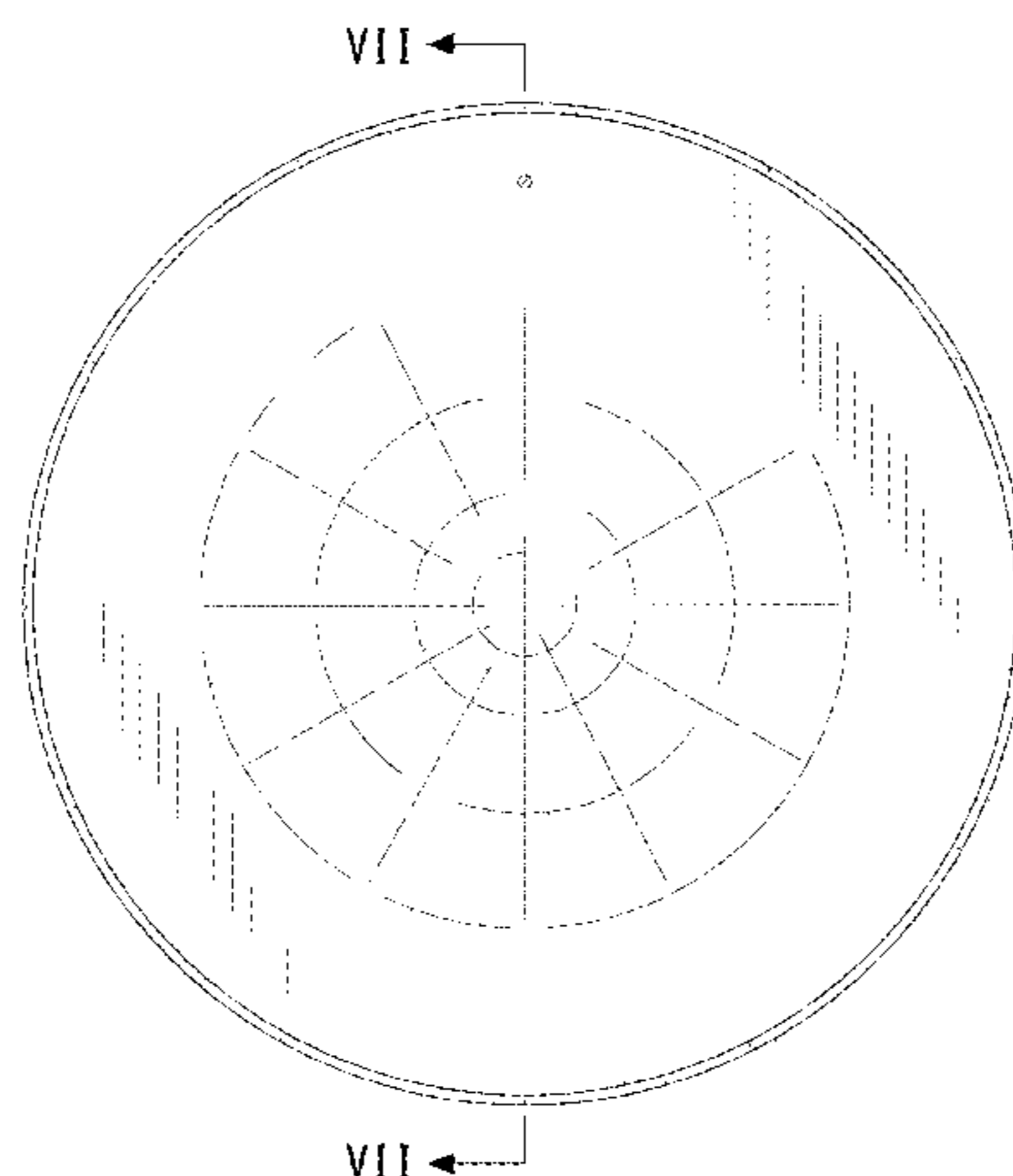
(57) **CLAIM**

The ornamental design for a server for data, as shown and  
described.

**DESCRIPTION**

FIG. 1 is a front elevation view of a server for data showing  
our new design;  
FIG. 2 is a rear elevation view thereof;  
FIG. 3 is a right side elevation view thereof;  
FIG. 4 is a left side elevation view thereof;  
FIG. 5 is a top plan view thereof;  
FIG. 6 is a bottom plan view thereof;  
FIG. 7 is a cross sectional view thereof, in which the internal  
mechanism is not shown for the sake of clarity, taken along  
line VII-VII in FIG. 1;  
FIG. 8 is a front perspective view thereof;  
FIG. 9 is a rear perspective view thereof;  
FIG. 10 is a front perspective view thereof, shown with  
environmental structure; and,  
FIG. 11 is a rear perspective view thereof, shown with  
environmental structure.  
The broken lines shown in the drawings represent portions  
of the server for data that form no part of the claimed design.

**1 Claim, 10 Drawing Sheets**



(56)

**References Cited**

U.S. PATENT DOCUMENTS

D747,267 S *	1/2016	Aumiller .....	D13/108
D768,114 S *	10/2016	Hou .....	D13/168
D772,813 S *	11/2016	Wahl .....	D13/108
D774,455 S *	12/2016	Kim .....	D13/108
D784,259 S *	4/2017	Huang .....	D13/108
D784,963 S *	4/2017	Saule .....	D14/228
D797,042 S *	9/2017	Miller .....	D13/107
D797,668 S *	9/2017	Park .....	D13/108
D808,389 S *	1/2018	Judge .....	D14/358
D809,456 S *	2/2018	Miller .....	D13/110
D814,463 S *	4/2018	Haigh .....	D14/358
D821,307 S *	6/2018	Calachan .....	D13/107
D821,374 S *	6/2018	Jun .....	D14/242
D825,539 S *	8/2018	Lu .....	D14/240
D829,714 S *	10/2018	Robinson .....	D14/356
D839,262 S *	1/2019	Nagano .....	D14/301
D839,264 S *	1/2019	Nagano .....	D14/301
D839,265 S *	1/2019	Nagano .....	D14/301
D841,578 S *	2/2019	Kim .....	D13/108

\* cited by examiner

FIG. 1

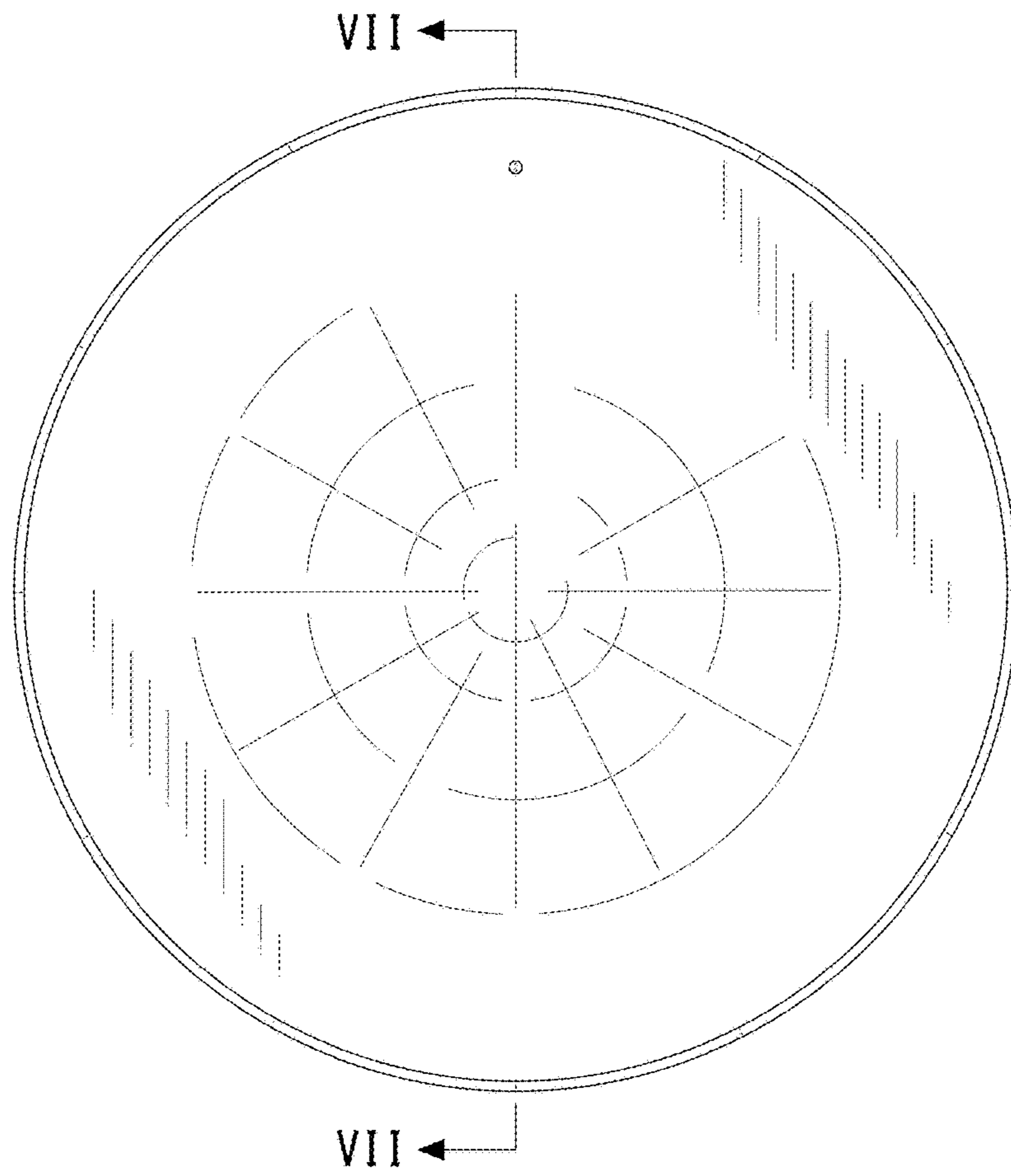


FIG.2

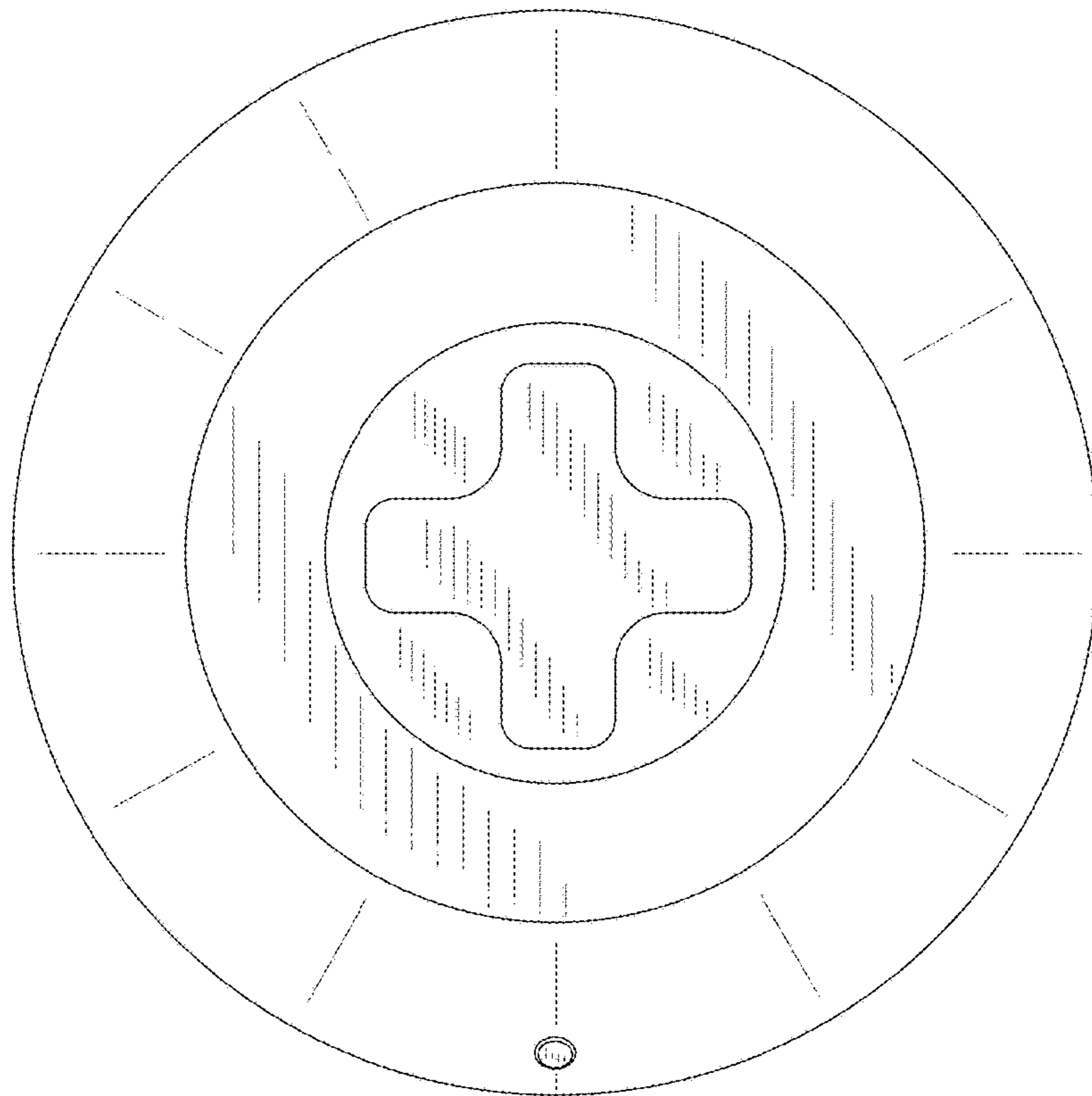


FIG.3

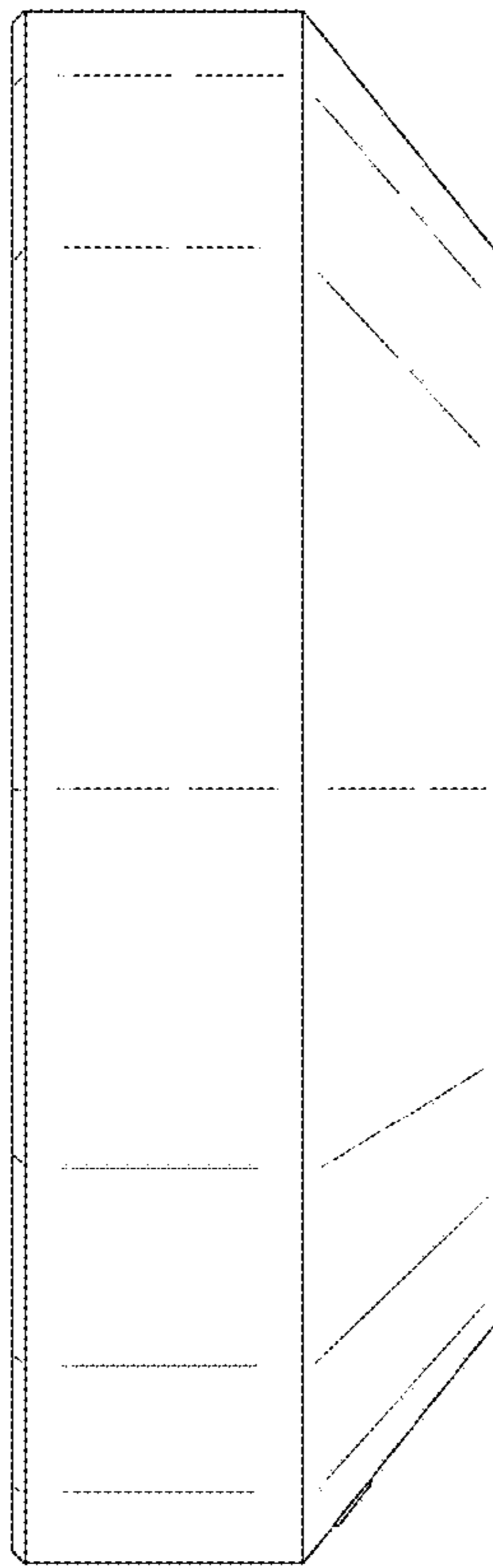


FIG.4

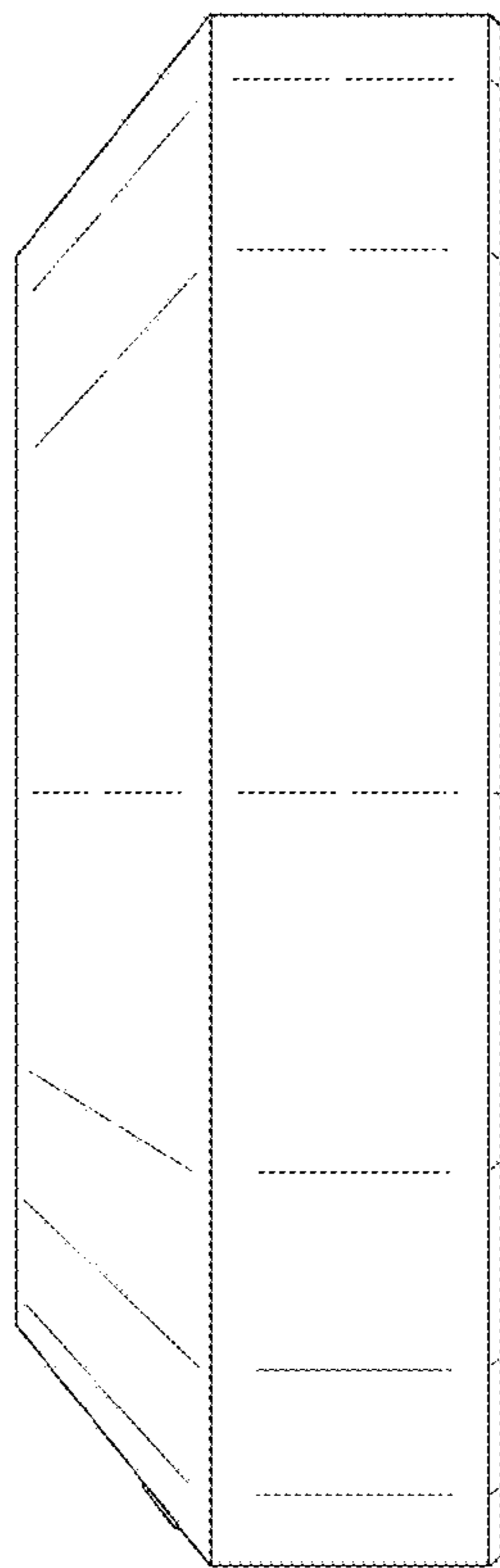


FIG.5

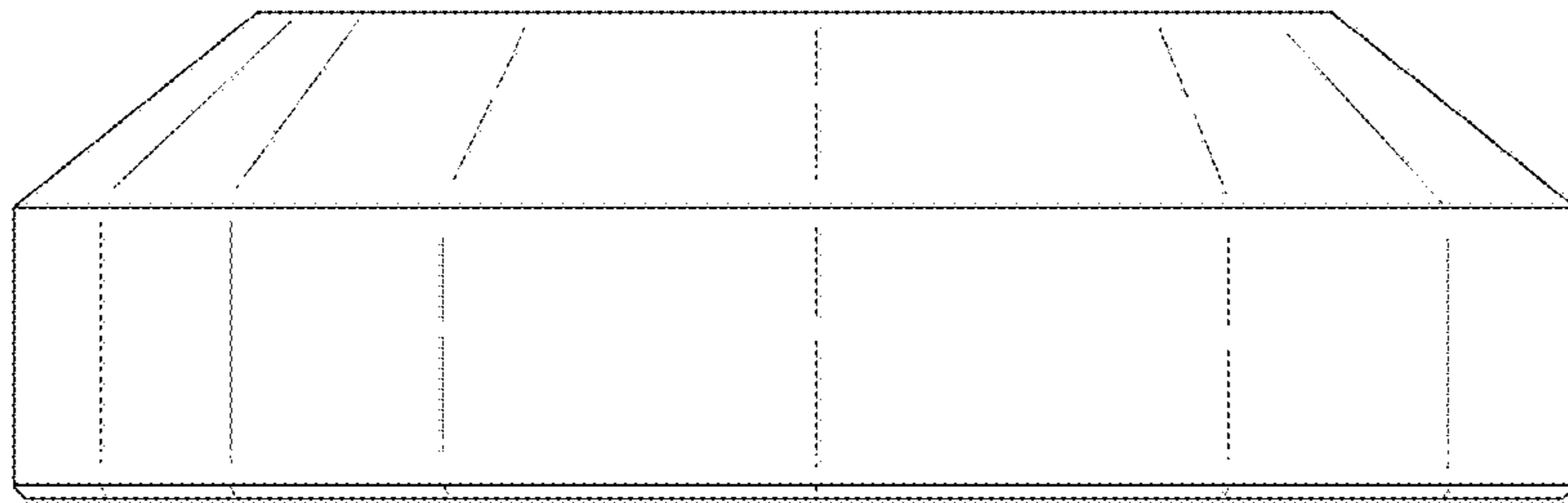


FIG.6

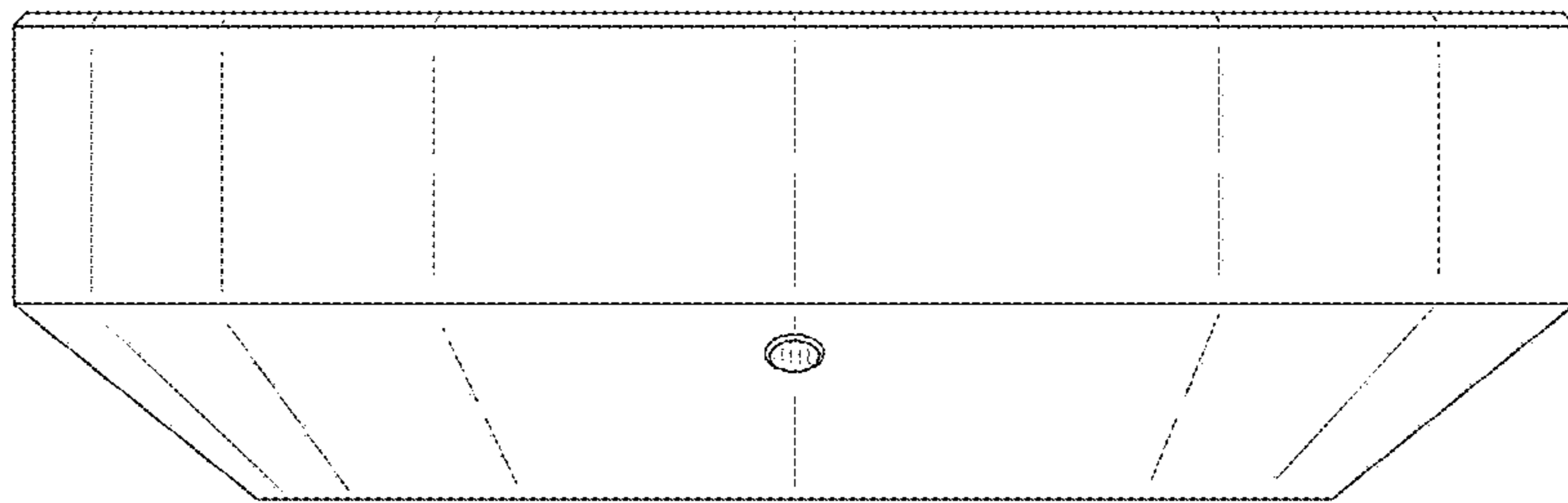


FIG. 7

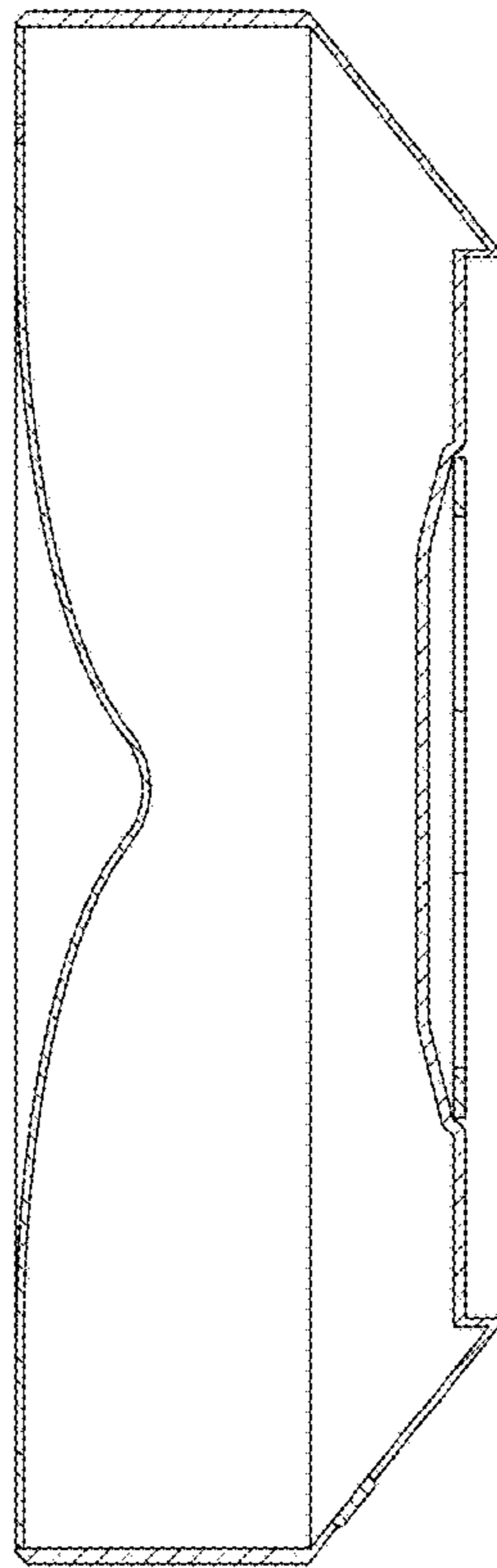




FIG.8

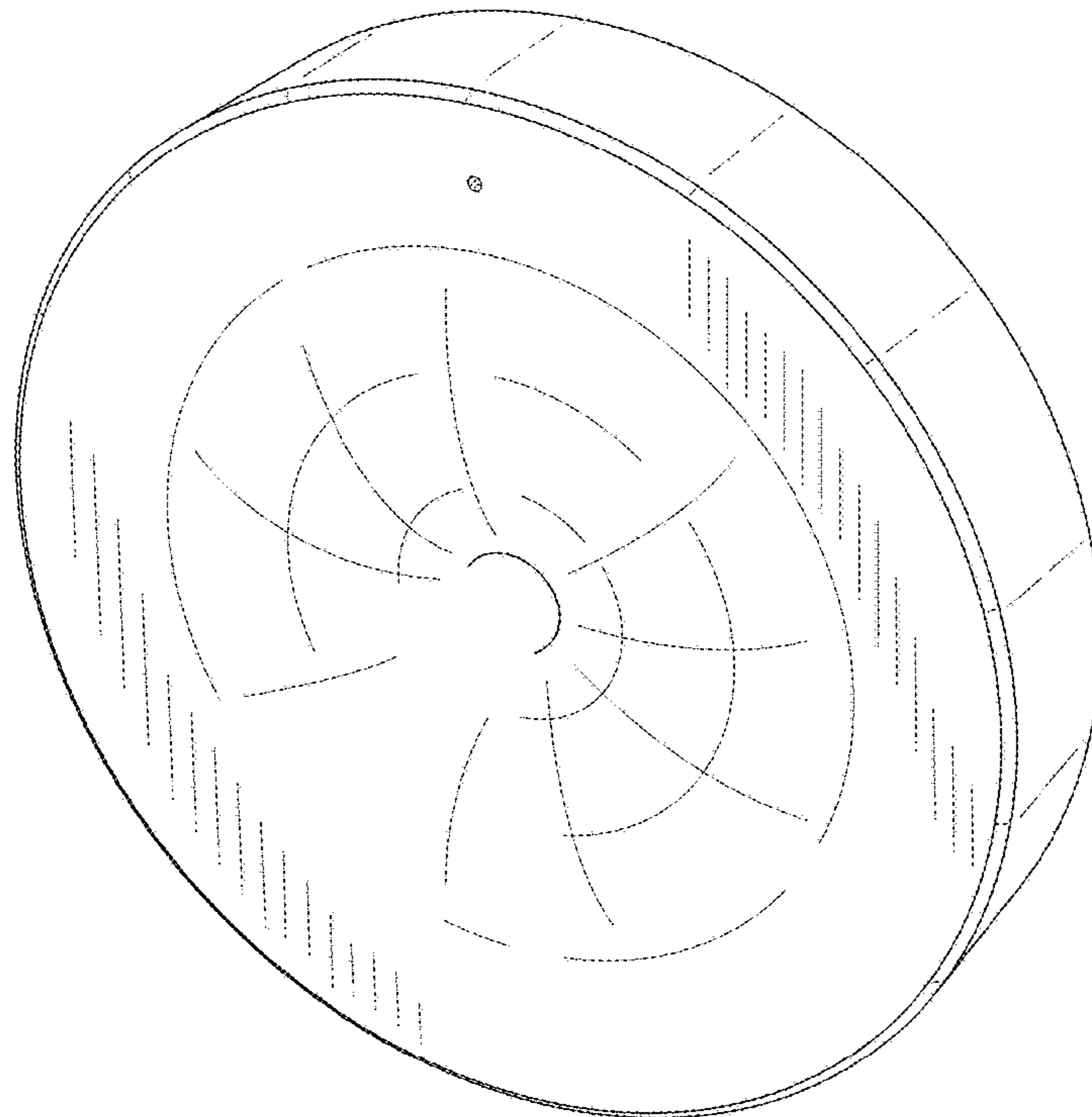


FIG.9

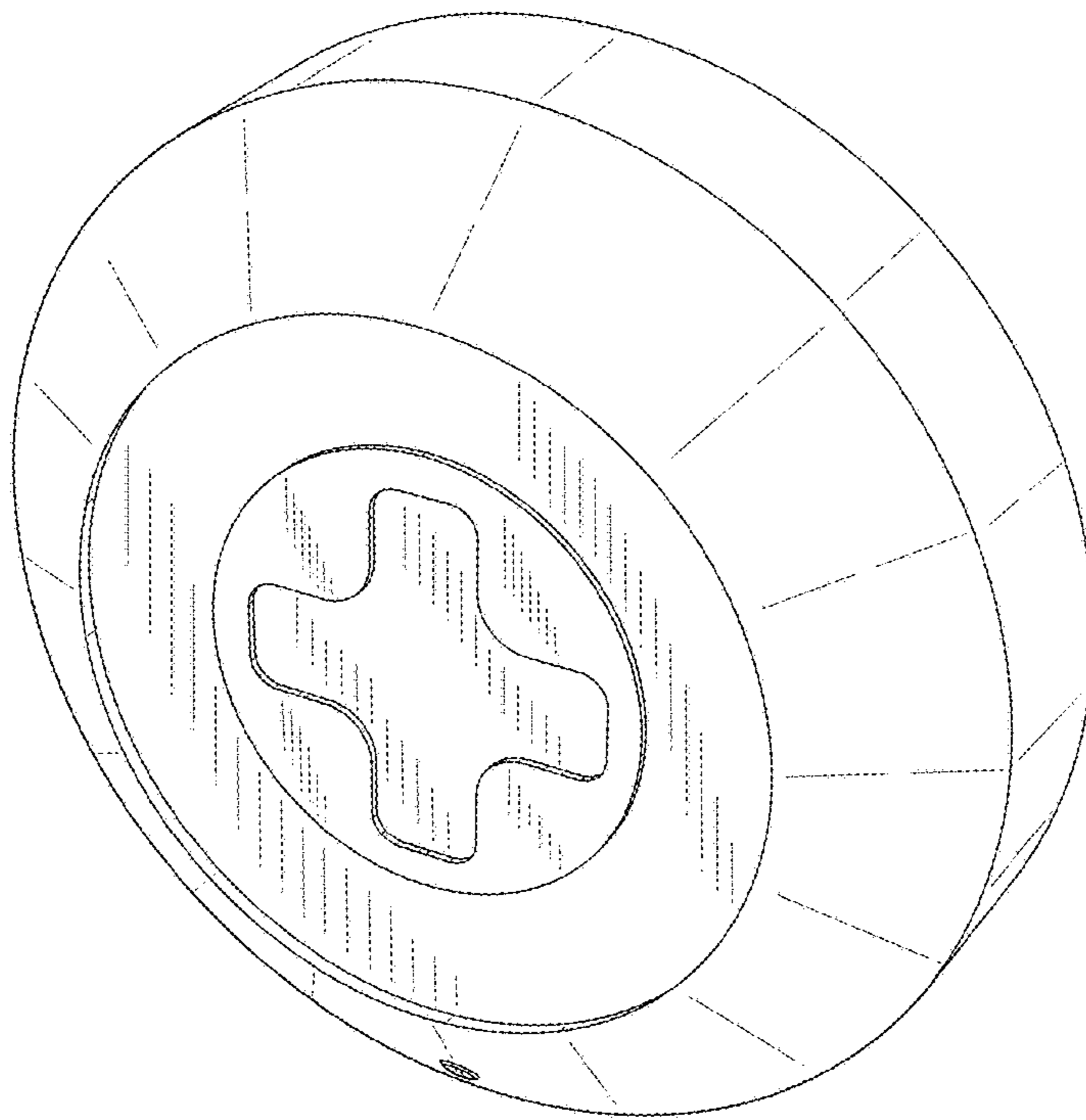


FIG. 10

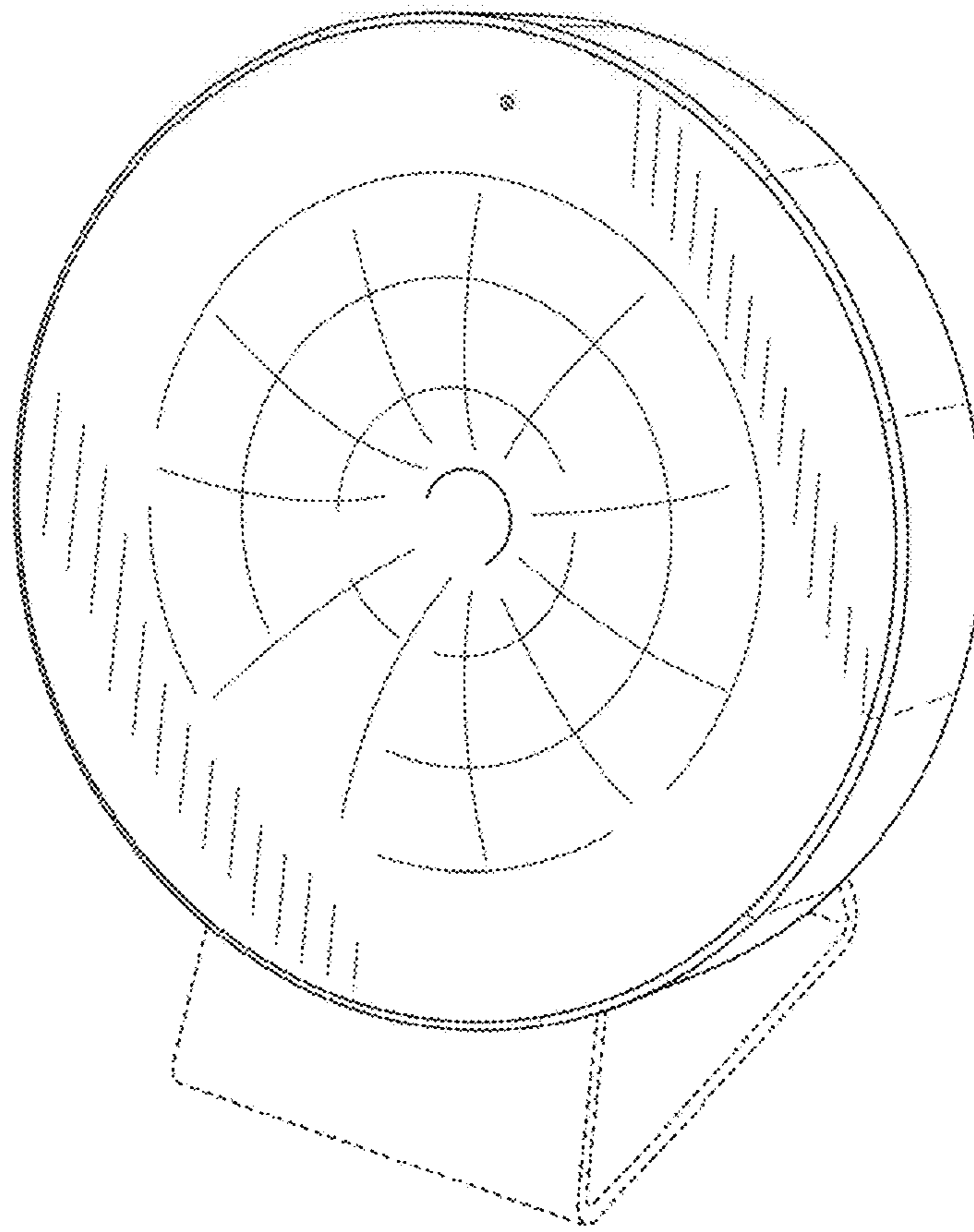


FIG. 11

