



US00D862454S

(12) **United States Design Patent**  
**Chun**

(10) **Patent No.:** **US D862,454 S**

(45) **Date of Patent:** **\*\* Oct. 8, 2019**

(54) **VENT DEVICE HOLDER WITH A WIRELESS CHARGER**

(71) Applicant: **James Chun**, Vista, CA (US)

(72) Inventor: **James Chun**, Vista, CA (US)

(\*\*) Term: **15 Years**

(21) Appl. No.: **29/630,549**

(22) Filed: **Dec. 21, 2017**

(51) **LOC (12) Cl.** ..... **14-03**

(52) **U.S. Cl.**

USPC ..... **D14/253**; D14/447; D13/108; D12/415

(58) **Field of Classification Search**

USPC ..... D14/434, 455, 457, 447, 238-238.1, D14/251-253; D13/107-108, 139.5; D8/381, 354-355; D6/553, 567, 572, D6/672-673, 675, 675.3, 675.4, 678, D6/678.2, 680.2, 681, 681.2, 682-682.1, D6/682.3; D3/218; D12/415, 417, 420, D12/422, 223

CPC .... F16M 11/04; F16M 11/18; F16M 2200/00; F16M 13/00; F16M 13/02; F16M 13/022; A47F 5/00; A47F 5/16; A47F 7/022; A47F 7/0042; B60R 2011/0049; B60R

(Continued)

(56) **References Cited**

**U.S. PATENT DOCUMENTS**

D361,768 S \* 8/1995 Chen ..... D14/251  
5,974,333 A \* 10/1999 Chen ..... B60R 11/0241  
455/346

(Continued)

**OTHER PUBLICATIONS**

KR-300931873, posted at Orbit.com, publication date Nov. 20, 2017. Site visited May 10, 2019. Available from Internet. (Year: 2017).\*

(Continued)

*Primary Examiner* — Kevin K Rudzinski

*Assistant Examiner* — Kathleen L Jones

(74) *Attorney, Agent, or Firm* — Dean A. Craine, PS

(57) **CLAIM**

The ornamental design for a vent device holder with a wireless charger, as shown and described.

**DESCRIPTION**

FIG. 1 is a front perspective view of a vent device holder with a wireless charger.

FIG. 2 is a top plan view of the invention shown in FIG. 1. FIG. 3 is a left side elevational view of the invention shown in FIG. 1.

FIG. 4 is a bottom plan view of the invention shown in FIG. 1.

FIG. 5 is a right side elevational view of the invention shown in FIG. 1.

FIG. 6 is a front elevational view of the invention shown in FIG. 1.

FIG. 7 is a rear elevational view of the invention shown in FIG. 1.

FIG. 8 is a front perspective view of a second embodiment of a vent device holder with a wireless charger.

FIG. 9 is a top plan view of the invention shown in FIG. 8. FIG. 10 is a left side elevational view of the invention shown in FIG. 8.

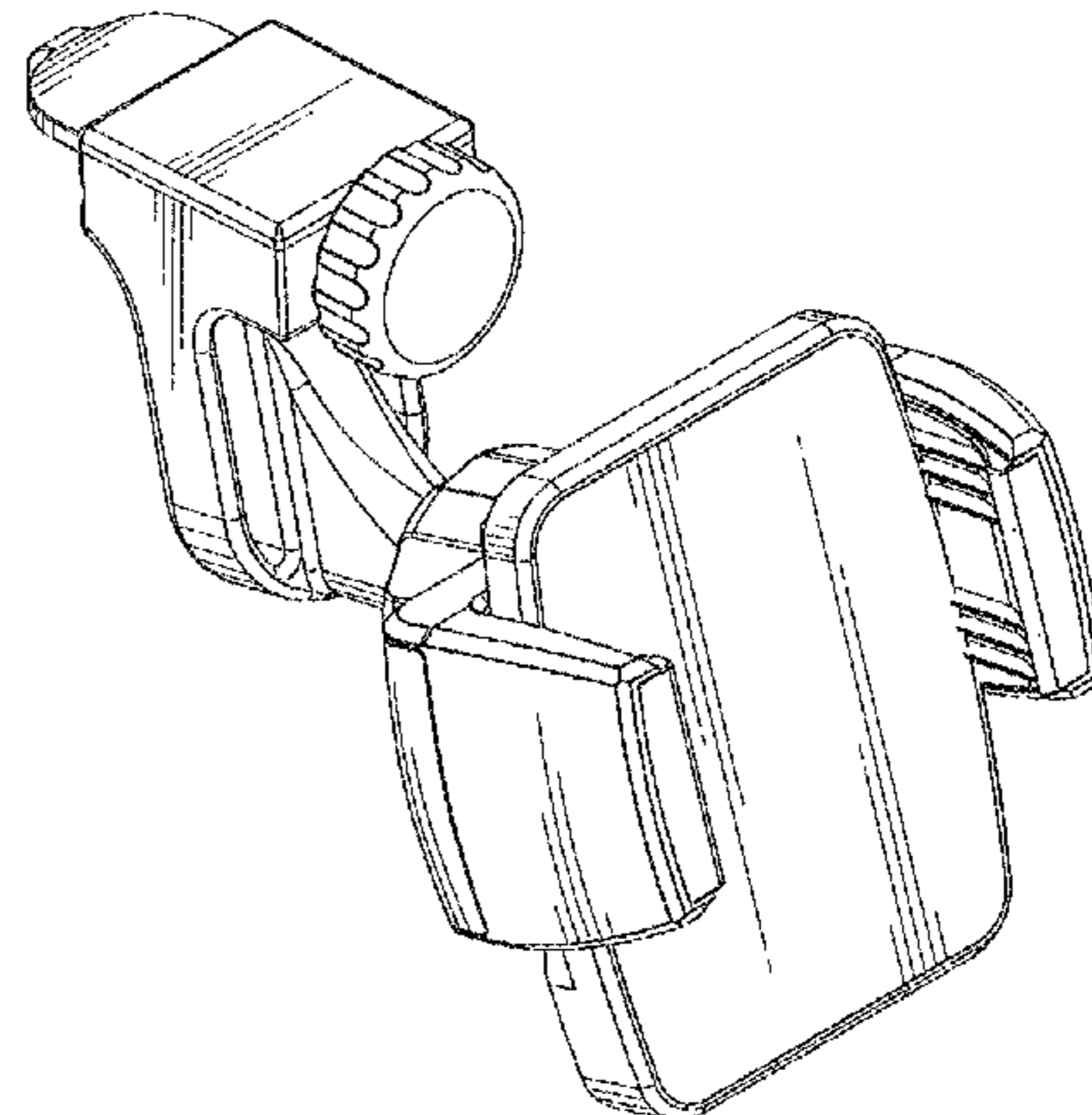
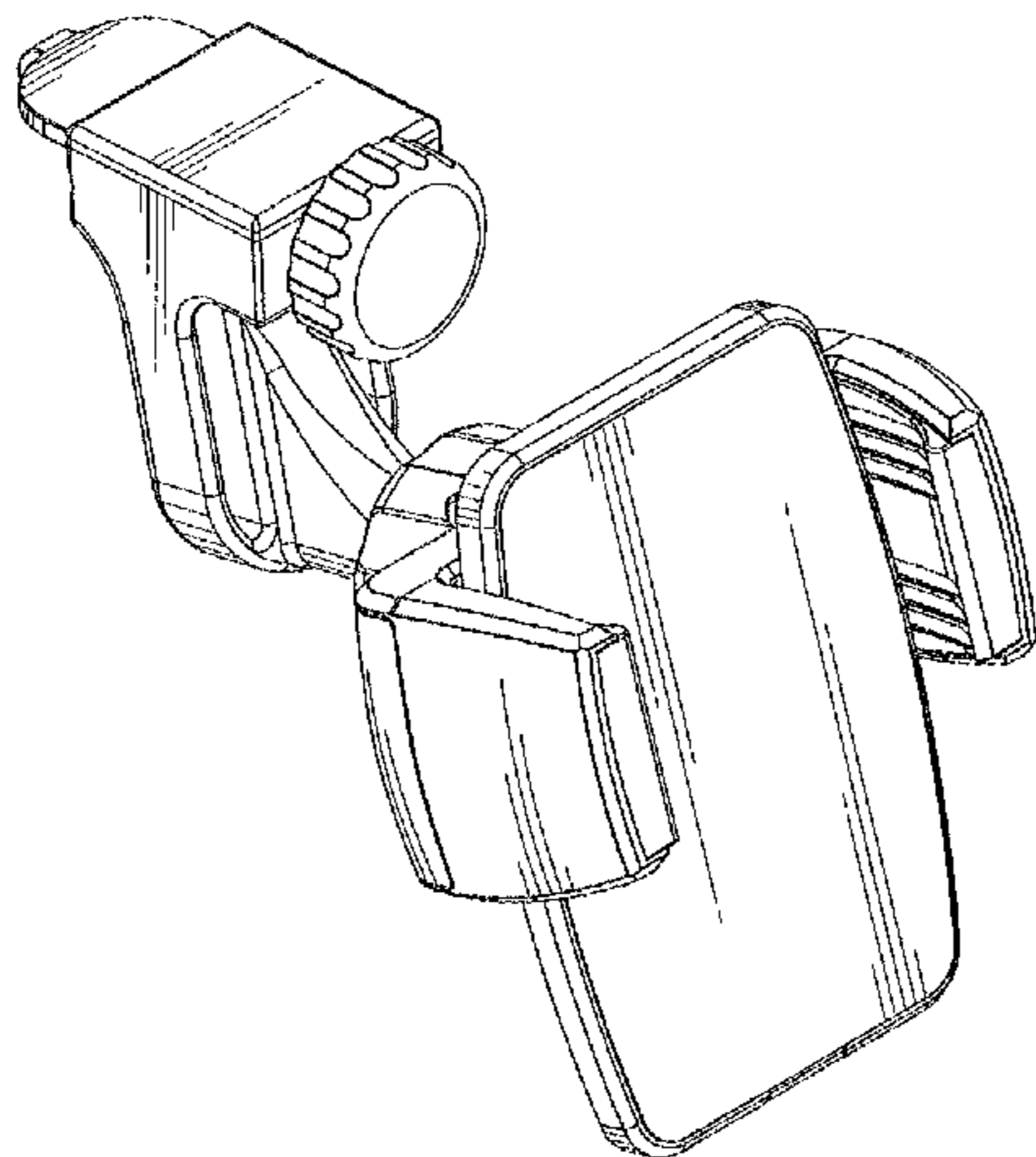
FIG. 11 is a bottom plan view of the invention shown in FIG. 8.

FIG. 12 is a right side elevational view of the invention shown in FIG. 8.

FIG. 13 is a front elevational view of the invention shown in FIG. 8; and,

FIG. 14 is a rear elevational view of the invention shown in FIG. 8.

**1 Claim, 6 Drawing Sheets**



(58) **Field of Classification Search**  
 CPC ..... 2011/0094; B60R 2011/008; B60R  
 2011/0241  
 See application file for complete search history.

(56) **References Cited**

U.S. PATENT DOCUMENTS

D454,136 S \* 3/2002 Deuschle ..... D14/447  
 6,966,533 B1 \* 11/2005 Kalis ..... B60R 11/0241  
 248/279.1  
 D516,026 S \* 2/2006 Barrett ..... D13/108  
 D521,990 S \* 5/2006 Richter ..... D14/253  
 D544,487 S \* 6/2007 Hussaini ..... D14/434  
 D577,358 S \* 9/2008 Kettula ..... D14/251  
 D603,322 S \* 11/2009 Nicieja ..... D12/415  
 D634,947 S \* 3/2011 Barabas ..... D14/434  
 D654,119 S \* 2/2012 Lin ..... D14/434  
 D654,120 S \* 2/2012 Lin ..... D14/434  
 8,317,152 B1 \* 11/2012 Zhou ..... F16M 11/041  
 248/122.1  
 D704,689 S \* 5/2014 Chang ..... D14/250  
 D714,772 S \* 10/2014 Rozzo ..... D13/102  
 D716,215 S \* 10/2014 Dunn ..... D12/415  
 D718,297 S \* 11/2014 Aspinall ..... D14/253  
 D748,087 S \* 1/2016 Lee ..... D14/251  
 D750,612 S \* 3/2016 Chen ..... D14/253  
 D780,743 S \* 3/2017 Chun ..... D14/253

D783,013 S \* 4/2017 Chun ..... D14/253  
 D784,923 S \* 4/2017 Song ..... D13/108  
 D832,248 S \* 10/2018 Sukphist ..... D14/253  
 D833,369 S \* 11/2018 Lan ..... D12/415  
 D835,034 S \* 12/2018 Tuffy ..... D13/108  
 D845,309 S \* 4/2019 Goldstein ..... D14/447  
 2006/0231713 A1 \* 10/2006 Crain ..... G01C 15/00  
 248/309.1  
 2010/0294818 A1 \* 11/2010 LaFargue ..... B60R 11/0241  
 224/400  
 2018/0198968 A1 \* 7/2018 Heine ..... G03B 17/561  
 2019/0118972 A1 \* 4/2019 Yan ..... B64D 47/08

OTHER PUBLICATIONS

Cellet Air Vent Phone Holder Car Mount Cradle for Samsung Galaxy S8, posted at eBay, review posted May 17, 2016. Site visited May 10, 2019. URL: <<https://www.ebay.com/p/Cellet-Air-Vent-Phone-Holder-Car-Mount-Cradle-for-Samsung-Galaxy-S8/1140481285>> (Year: 2016).\*

Mobile Air Vent Cradle Mount Hook, Posted at Shenzhen Blossom Electric Co., posting date not available. Site visited May 10, 2019 . URL: <<https://ibossom.manufacturer.globalsources.com/si/6008850815575/pdtl/Car-holder/1161494324/Mobile-Air-Vent-Cradle-Mount-Hook.htm>>.\*

\* cited by examiner

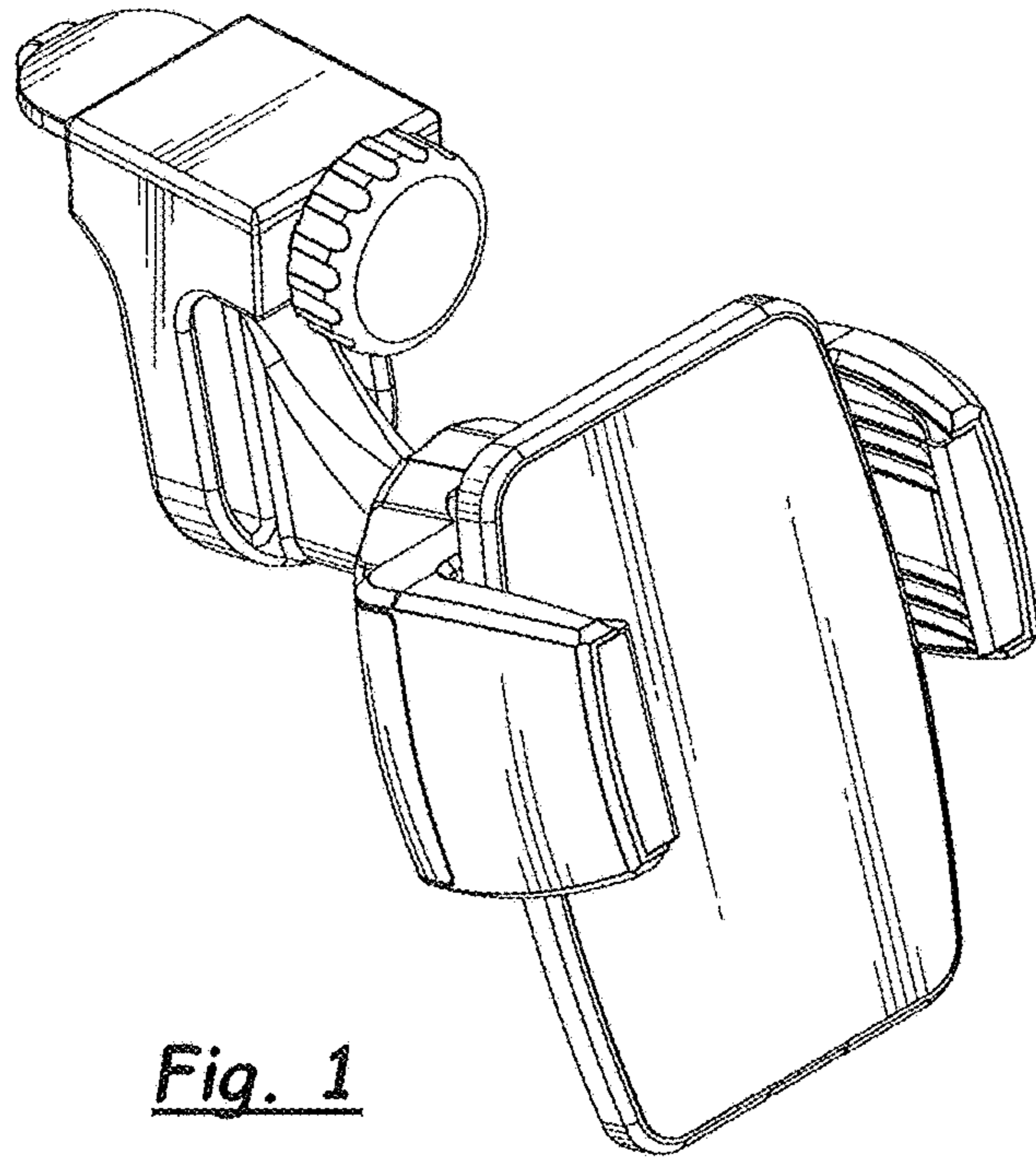


Fig. 1

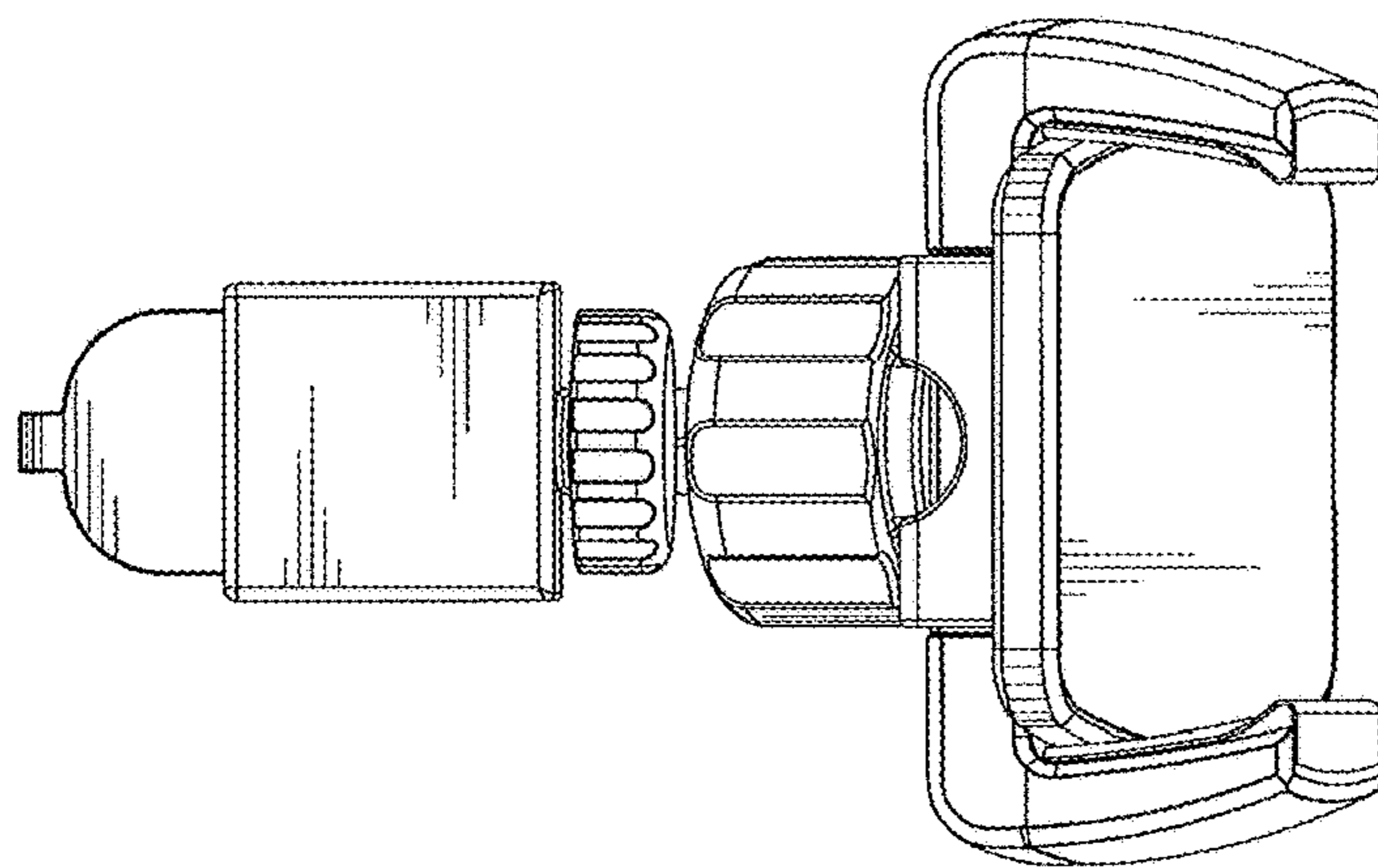
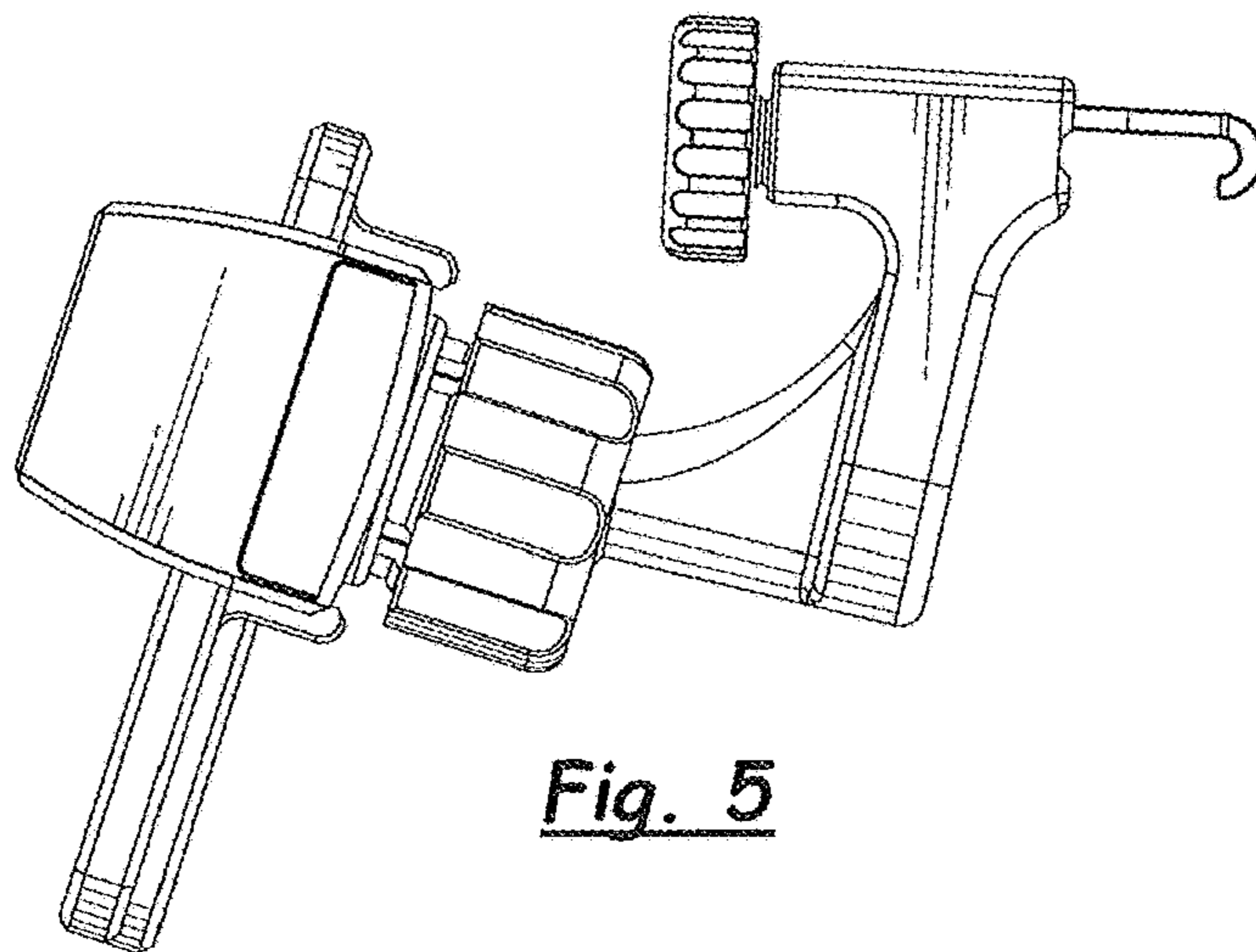
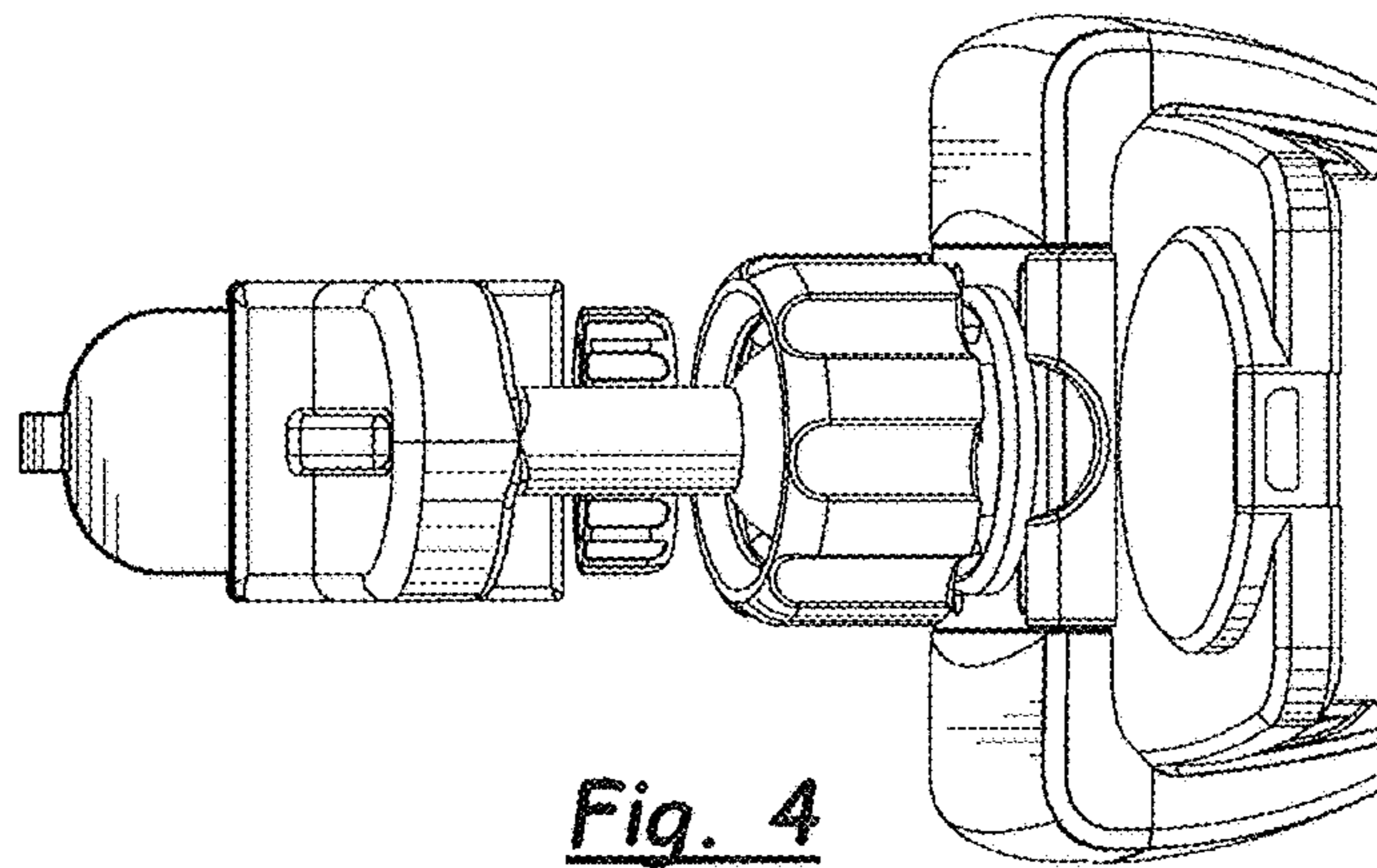
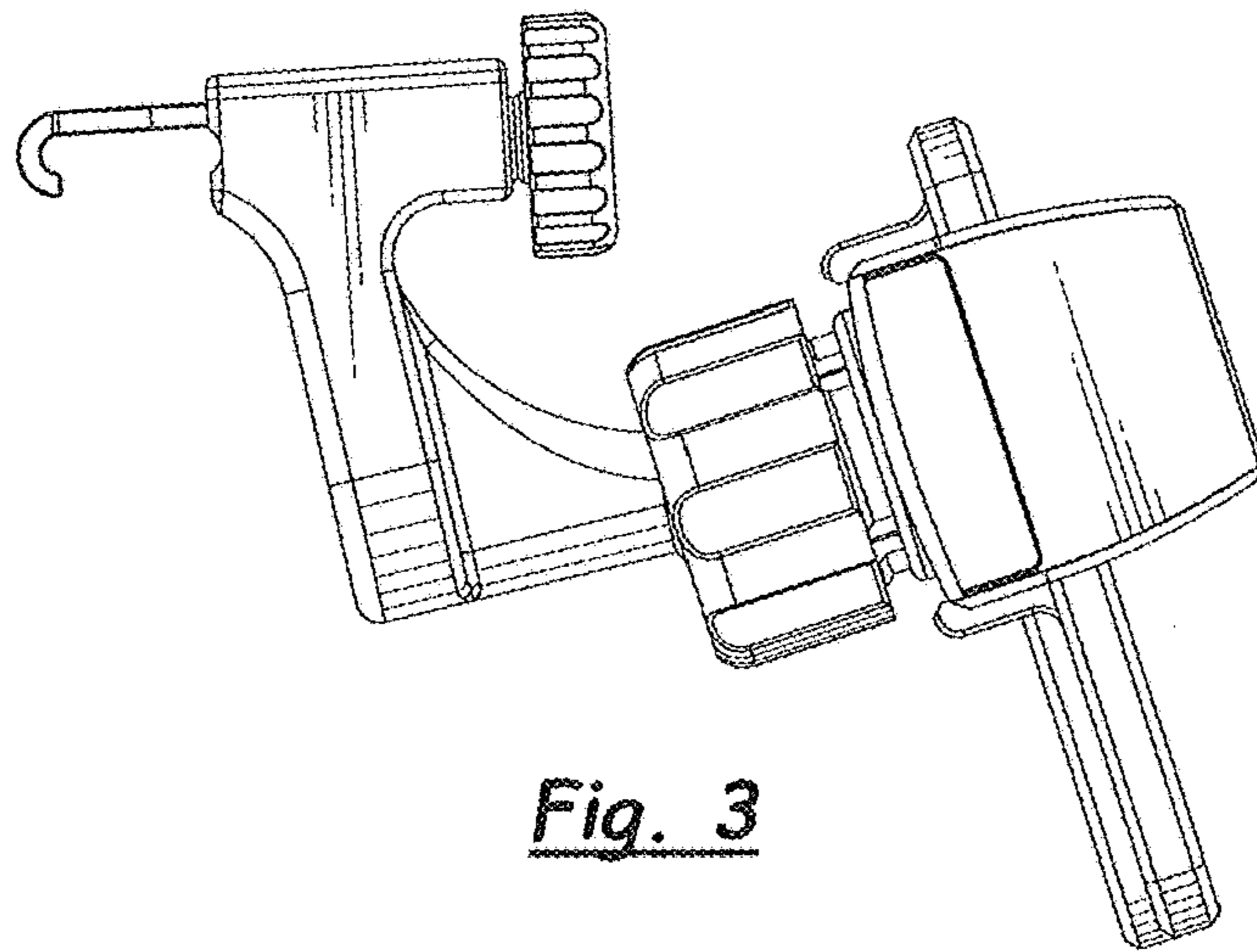


Fig. 2



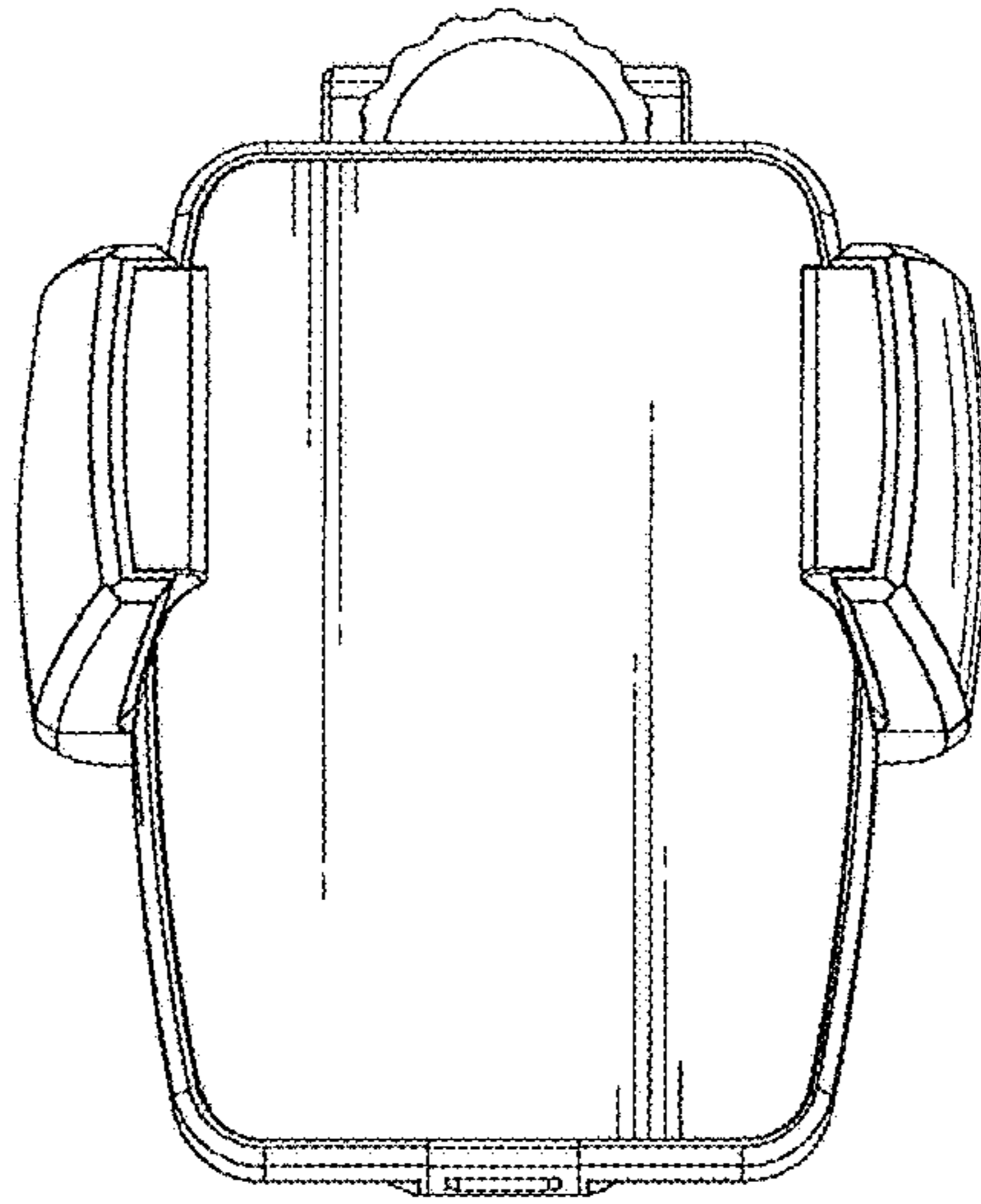


Fig. 6

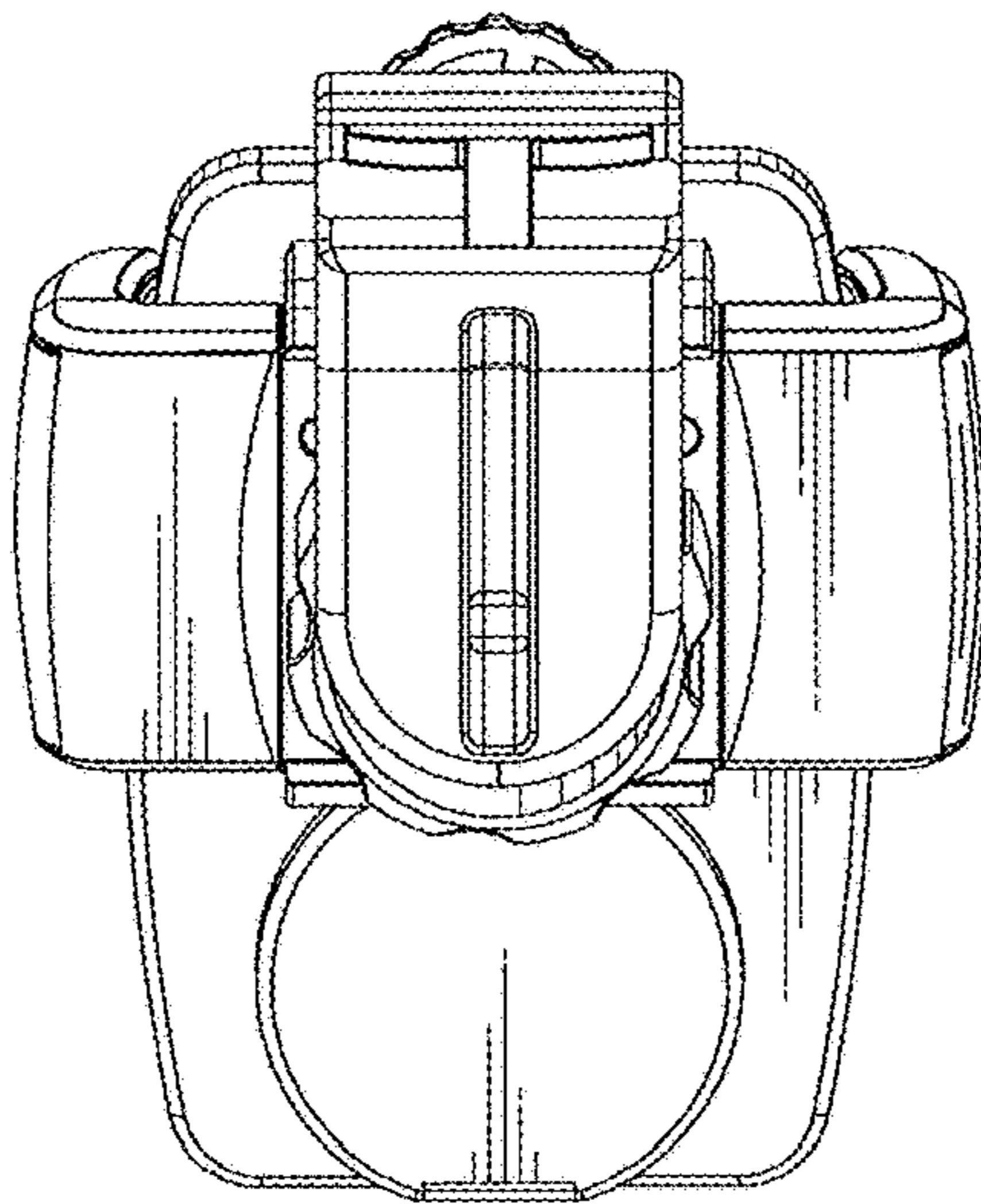


Fig. 7

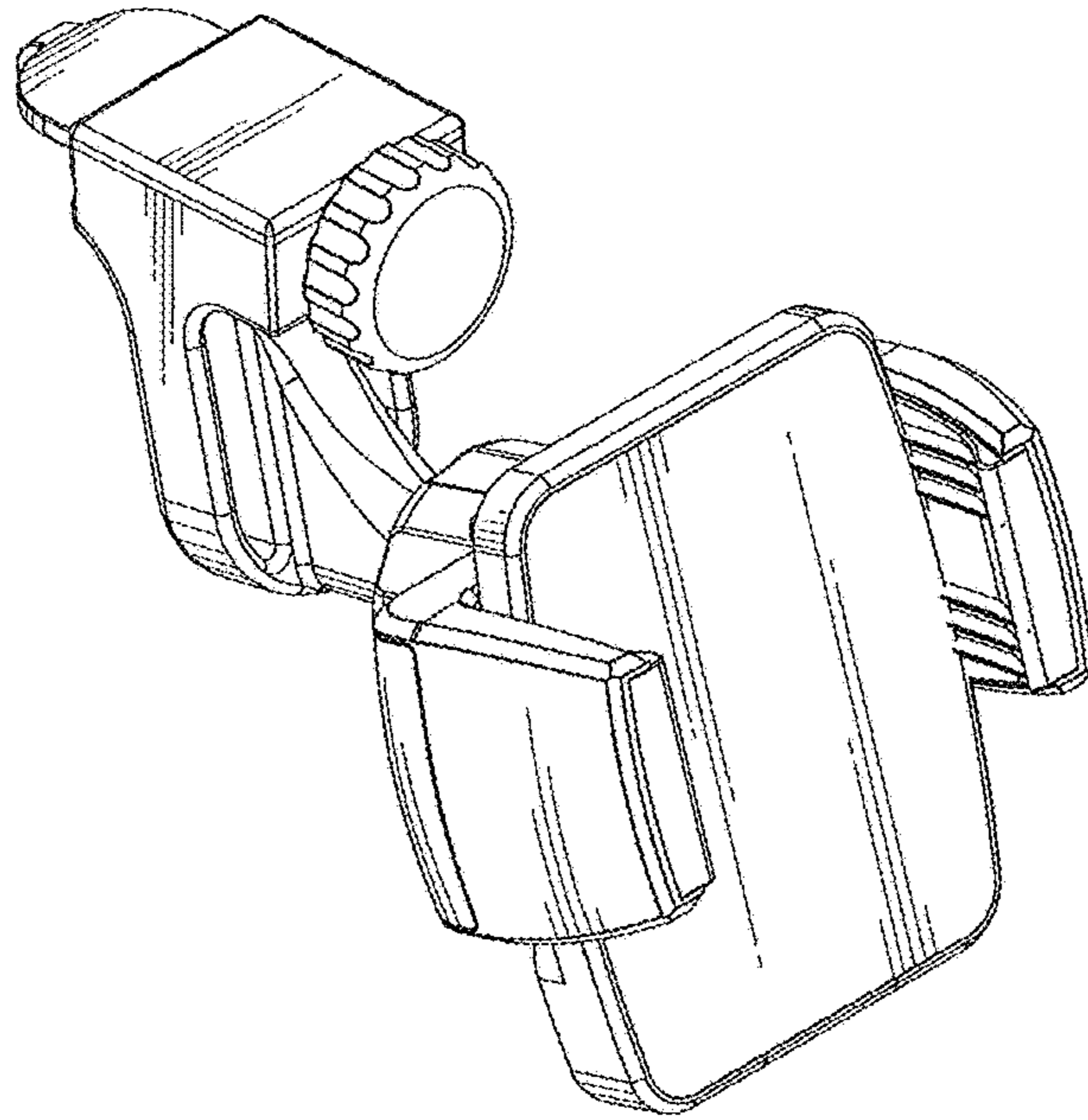


Fig. 8

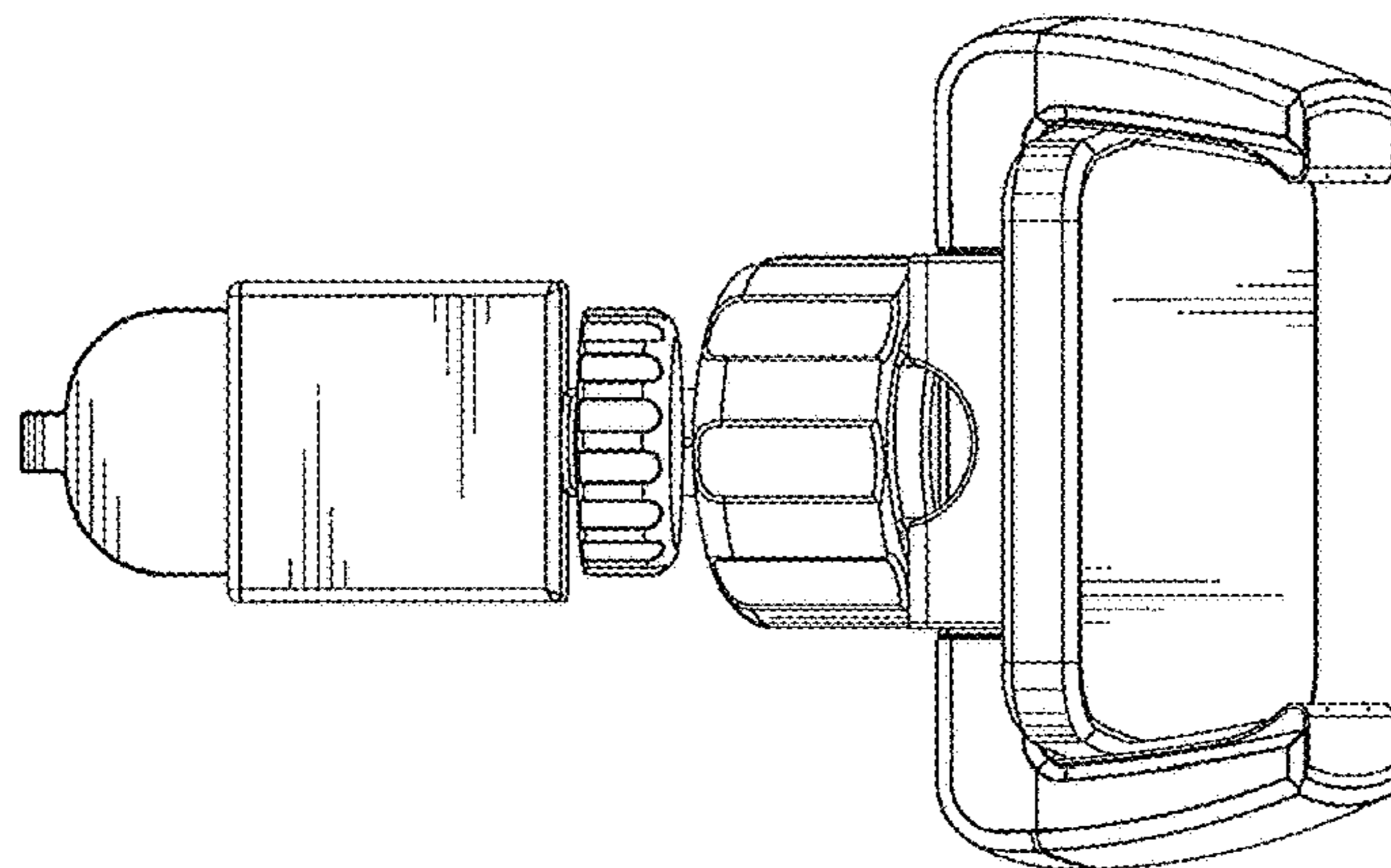


Fig. 9

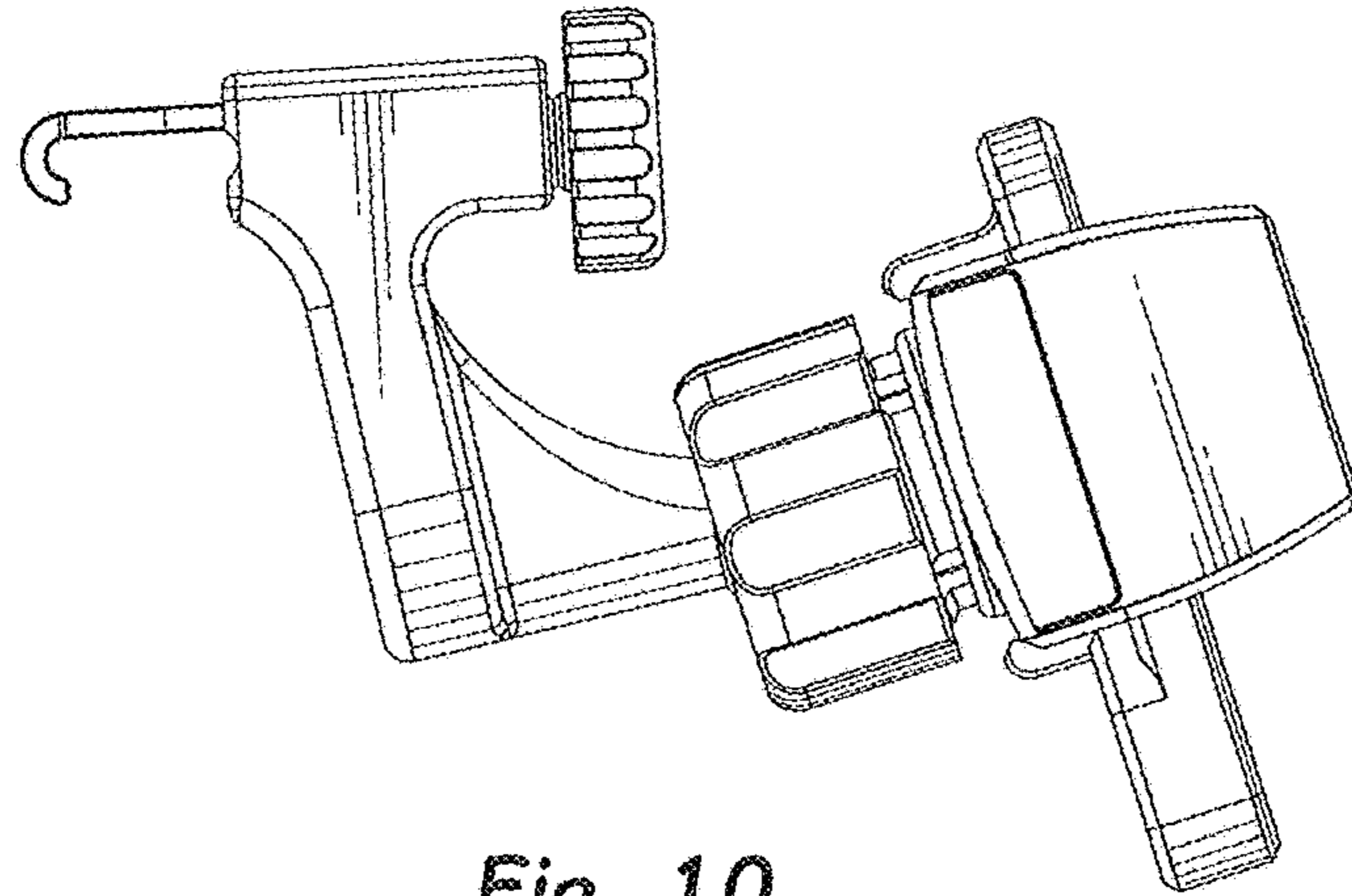


Fig. 10

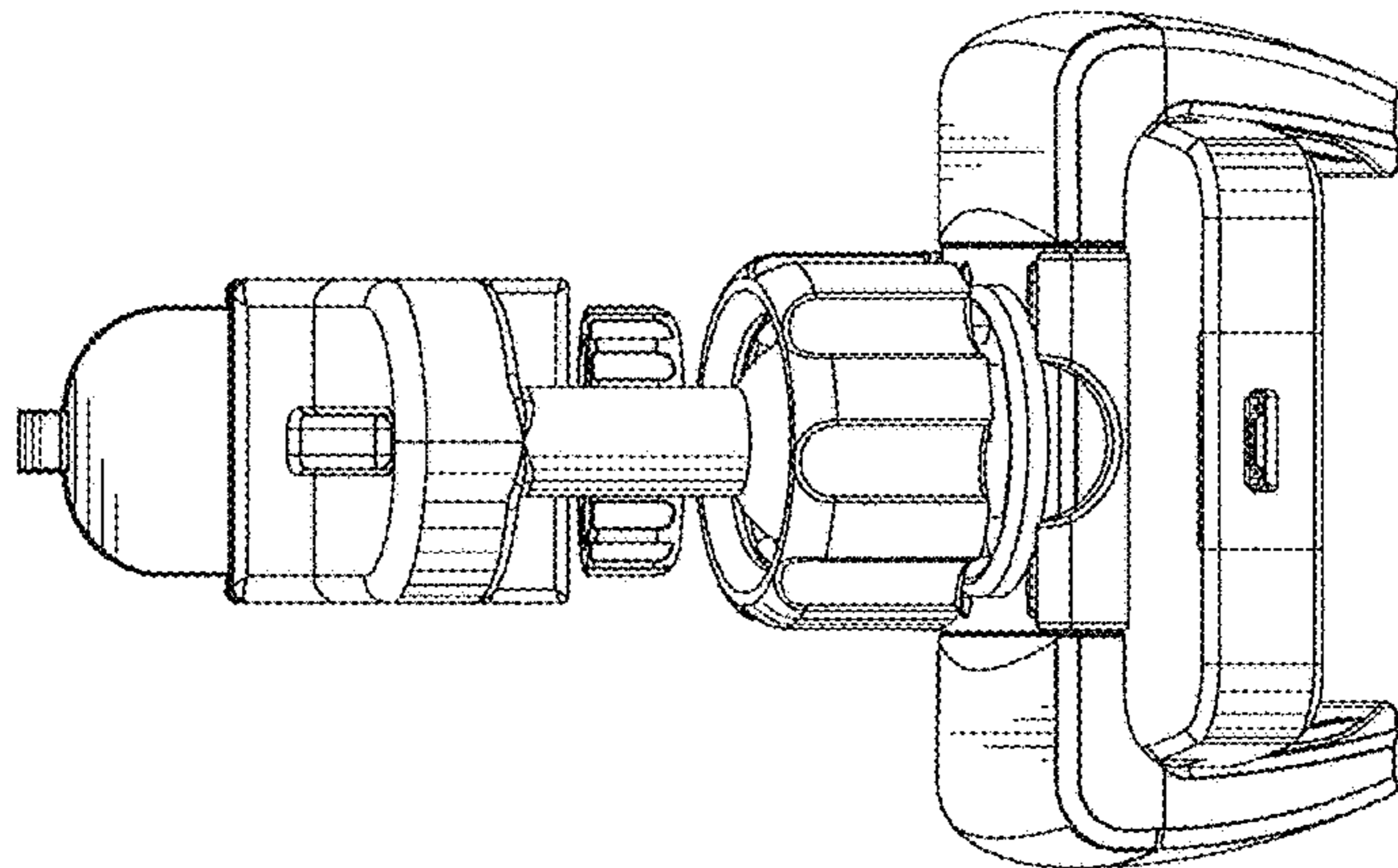


Fig. 11

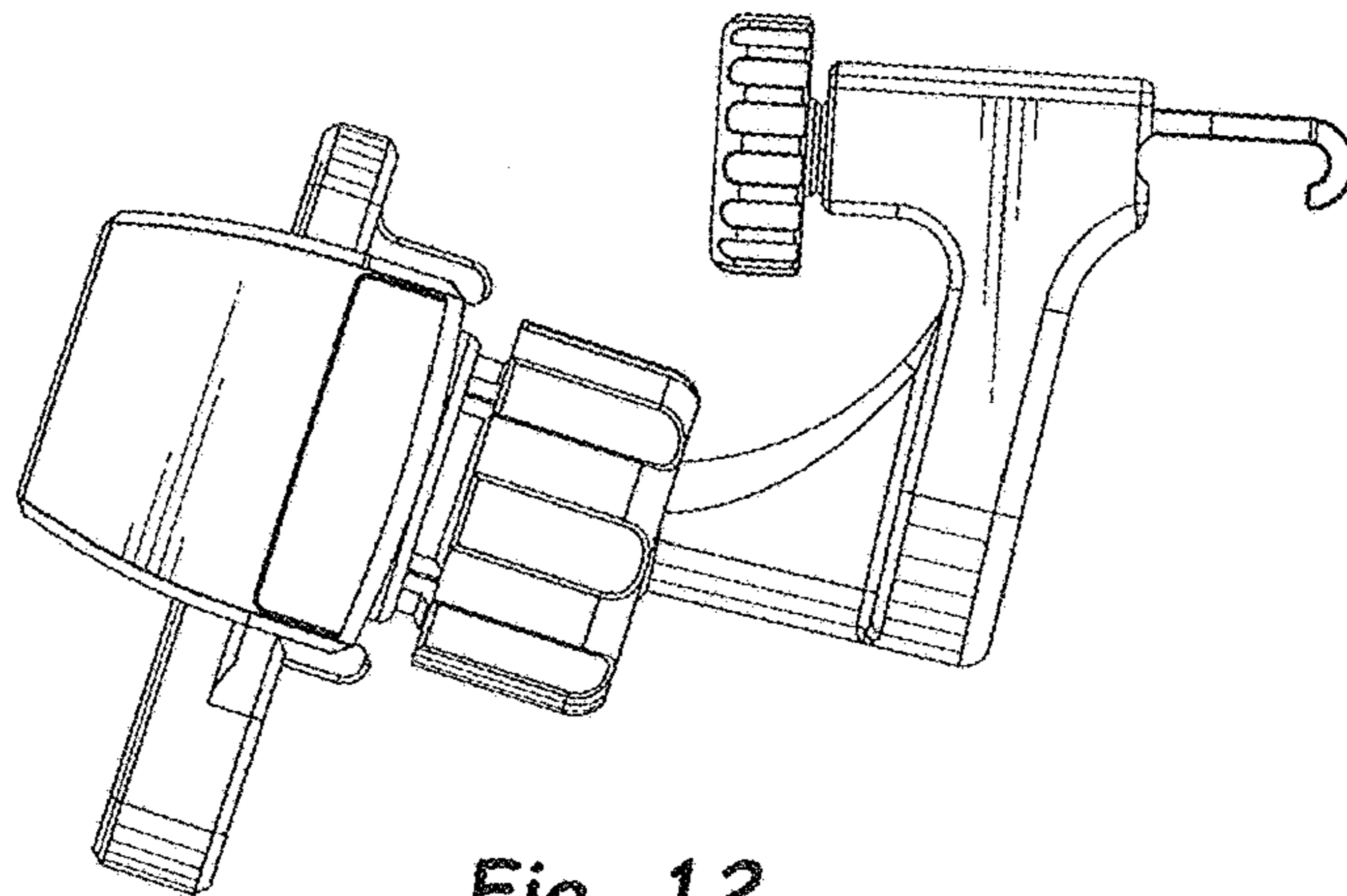


Fig. 12

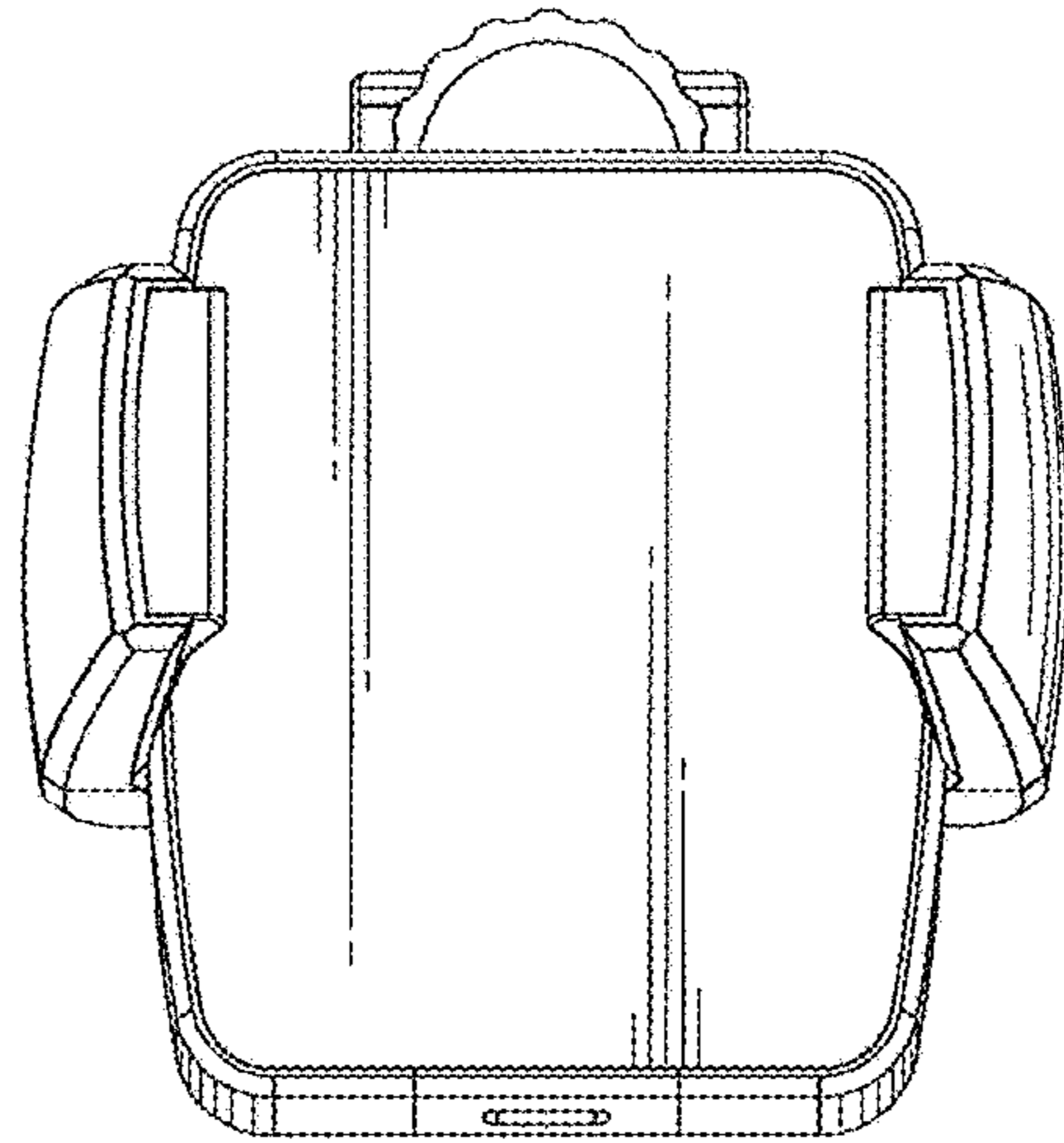


Fig. 13

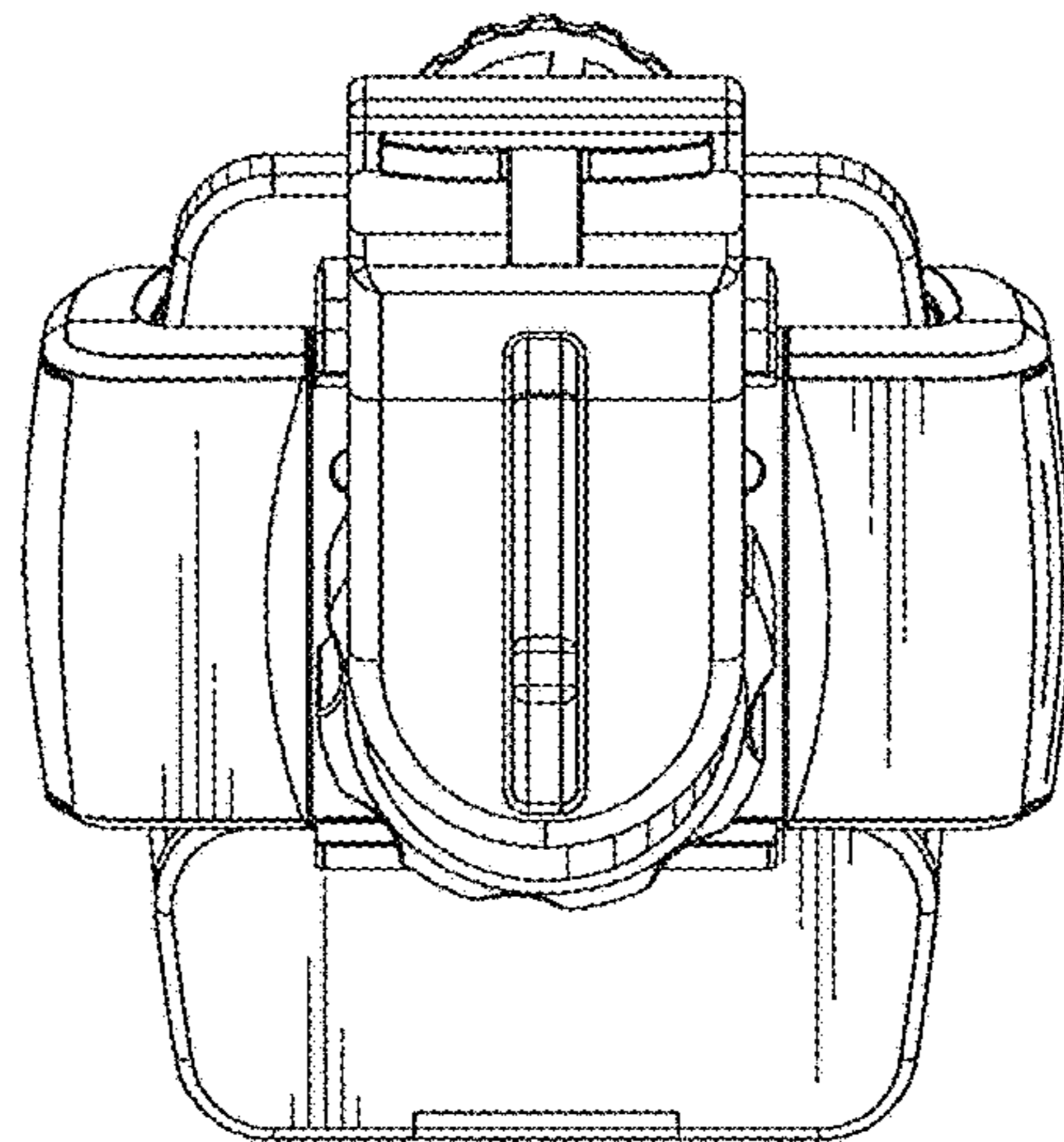


Fig. 14