



US00D862453S

(12) **United States Design Patent**
Liang

(10) **Patent No.:** **US D862,453 S**
(45) **Date of Patent:** **** Oct. 8, 2019**

(54) **COLLAPSIBLE PHONE HOLDER AND STAND**

- (71) Applicant: **NITE IZE, INC.**, Boulder, CO (US)
- (72) Inventor: **Robin Liang**, Guangdong (CN)
- (73) Assignee: **Nite Ize, Inc.**, Boulder, CO (US)
- (**) Term: **15 Years**

(21) Appl. No.: **29/628,831**

(22) Filed: **Dec. 7, 2017**

(51) **LOC (12) Cl.** **14-03**

(52) **U.S. Cl.**
USPC **D14/253**

(58) **Field of Classification Search**

USPC D14/250–254, 172, 192, 203.3–203.7,
D14/217, 224, 224.1, 229, 238, 238.1,
D14/299, 447, 483, 451, 452, 434;
D13/103, 107, 108, 119; D3/201, 218,
D3/226; D16/242, 245; D10/74;
D8/382, 349, 355, 363, 373, 394;
D6/567, 353; D12/415, 420, 114, 177,
D12/223, 407, 417; D19/75, 77, 91
CPC .. H04M 1/026; H04M 1/0295; H04M 1/0279;
H04M 1/0281; H04M 1/0283; H04B
1/3877; H04B 1/3883; H04B 1/3888;
A45F 2200/0516; A45F 2200/0525; A45C
11/00; A45C 2011/002; A45C 13/1069;
(Continued)

(56) **References Cited**

U.S. PATENT DOCUMENTS

D332,789 S * 1/1993 Rak D12/415
D352,189 S * 11/1994 Sakuta D14/451
(Continued)

FOREIGN PATENT DOCUMENTS

WO WO 2013050065 A1 4/2013

OTHER PUBLICATIONS

Nite Ize FlipOut Handle & Stand for Mobile Devices, YouTube online, post date May 3, 2018, <URL: <https://www.youtube.com/watch?v=LxujtvO0l7o>>, retrieved Mar. 6, 2019.*

Primary Examiner — Jeffrey D Asch
Assistant Examiner — Rebekah A Caruso

(74) *Attorney, Agent, or Firm* — Haynes and Boone, LLP

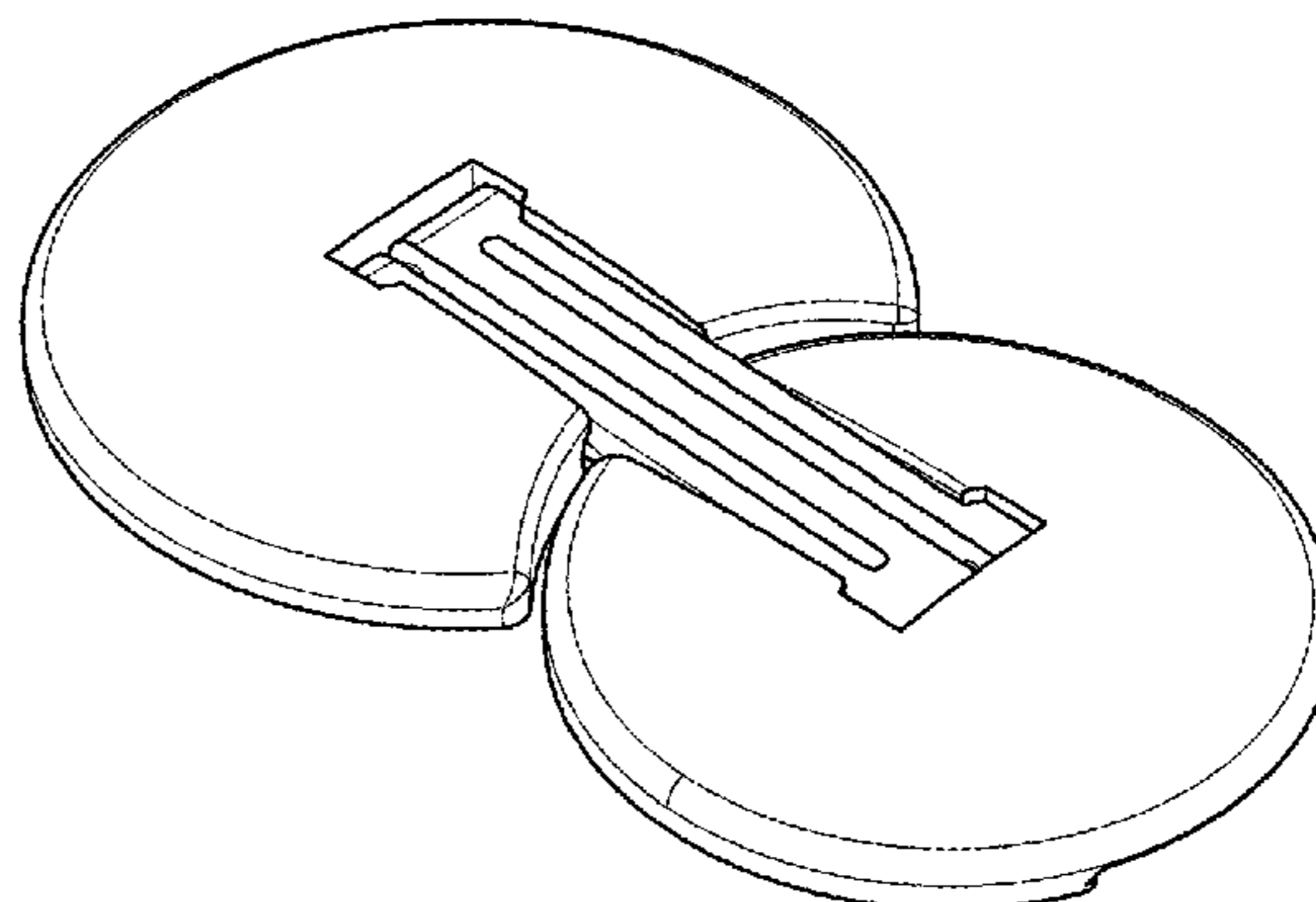
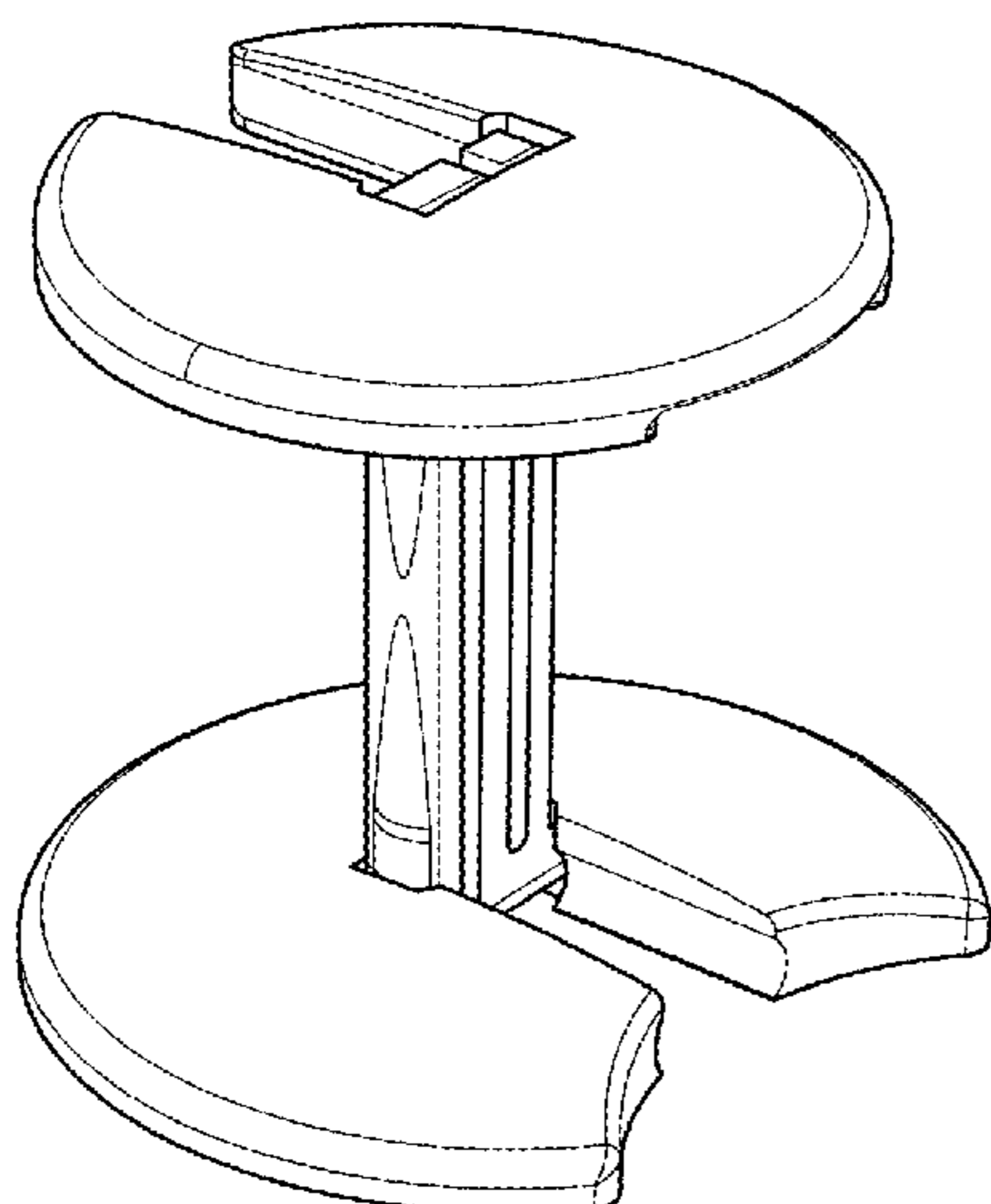
(57) **CLAIM**

The ornamental design for a collapsible phone holder and stand, as shown and described.

DESCRIPTION

FIG. 1 shows a top, front perspective view of a collapsible phone holder and stand;
FIG. 2 shows a bottom, rear perspective view of the collapsible phone holder and stand of FIG. 1;
FIG. 3 shows a top perspective view of the collapsible phone holder and stand of FIG. 1, in a collapsed position;
FIG. 4 shows a bottom perspective view of the collapsible phone holder and stand of FIG. 1, in a collapsed position;
FIG. 5 shows front view of the collapsible phone holder and stand of FIG. 1;
FIG. 6 shows a rear view of the collapsible phone holder and stand of FIG. 1;
FIG. 7 shows a left side view of the collapsible phone holder and stand of FIG. 1;
FIG. 8 shows a right side view of the collapsible phone holder and stand of FIG. 1;
FIG. 9 shows a top view of the collapsible phone holder and stand of FIG. 1;
FIG. 10 shows a bottom view of the collapsible phone holder and stand of FIG. 1;
FIG. 11 shows a top view of the collapsible phone holder and stand of FIG. 1, in a collapsed position; and,
FIG. 12 shows a bottom view of the collapsible phone holder and stand of FIG. 1, in a collapsed position.

1 Claim, 6 Drawing Sheets



(58) **Field of Classification Search**

CPC H05K 5/02; H05K 5/0204; H05K 5/0073;
H05K 7/14; F16M 13/00; F16M 13/02;
F16M 13/022; B60R 11/00; B60R 11/02;
B60R 11/0241; B60R 11/0258

See application file for complete search history.

(56) **References Cited**

U.S. PATENT DOCUMENTS

D390,100	S *	2/1998	Thatcher	D8/387
8,602,376	B2 *	12/2013	Vogel	F16M 11/14 248/371
9,303,809	B2 *	4/2016	Reynolds	F16M 11/041
9,827,494	B2 *	11/2017	Motoishi	F16M 11/18
D825,548	S *	8/2018	Lebovitz	D14/253
D829,703	S *	10/2018	Balmer	D14/251
2014/0097306	A1 *	4/2014	Hale	G03B 17/566 248/122.1

* cited by examiner

FIG. 1

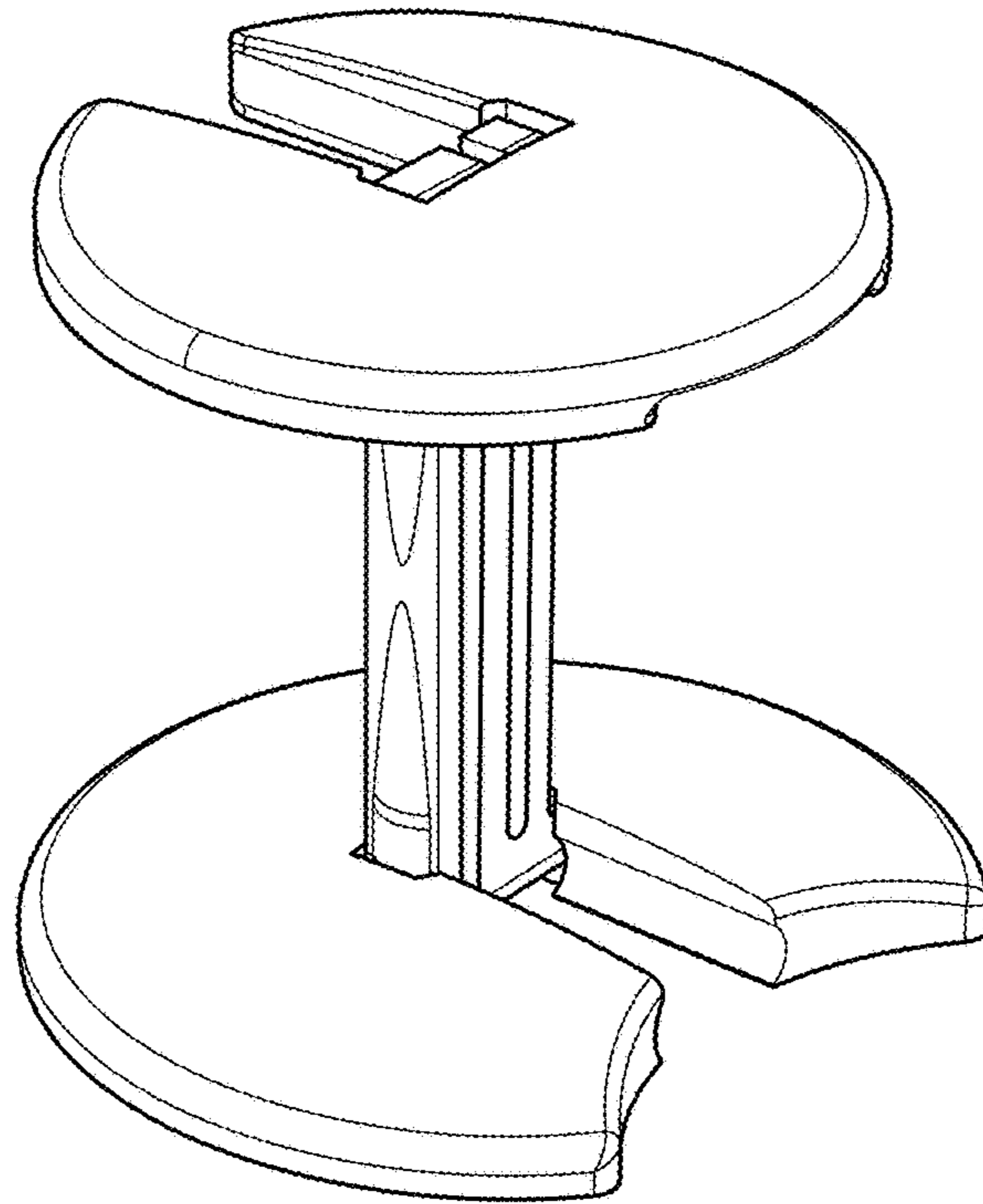


FIG. 2

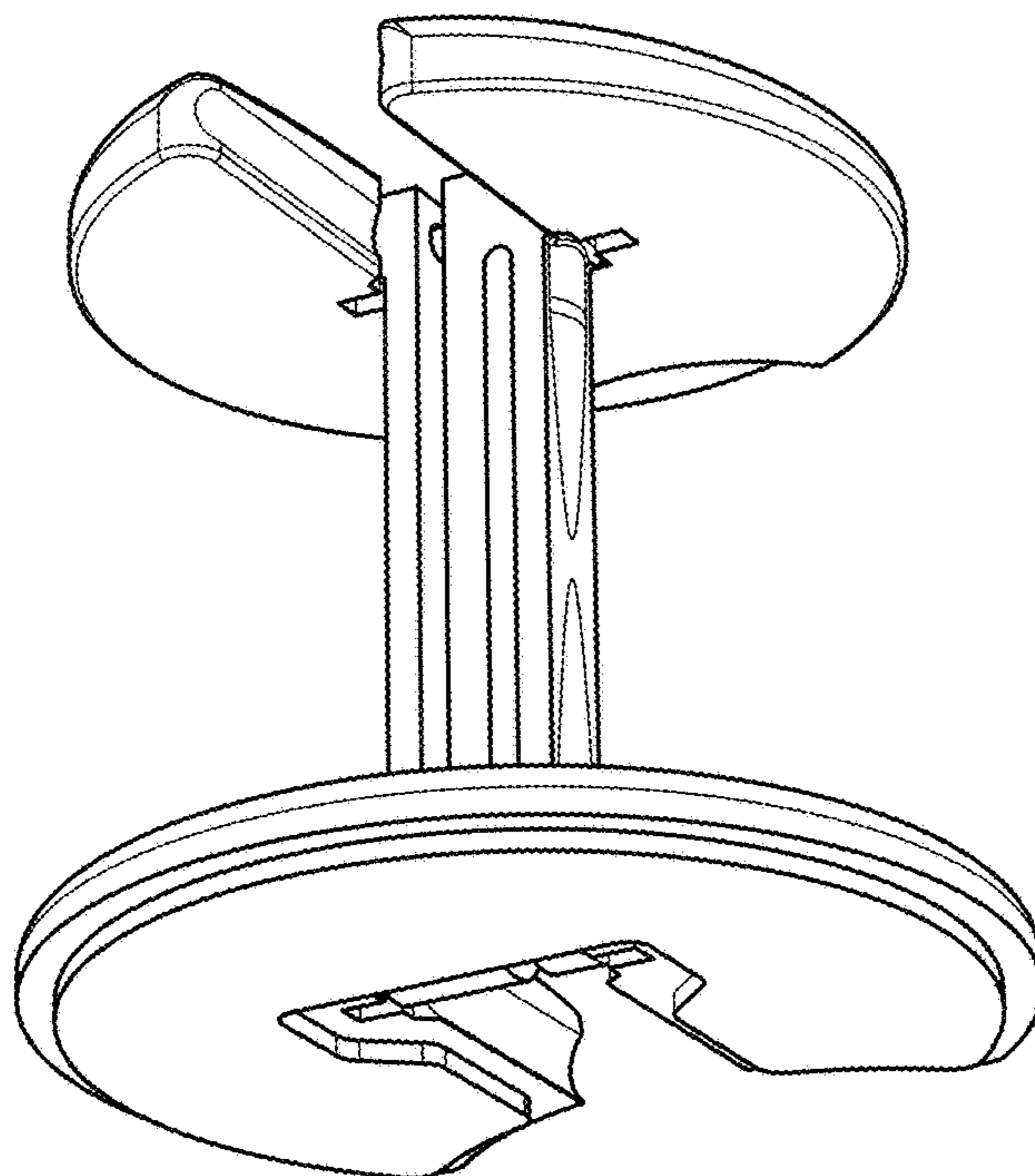


FIG. 3

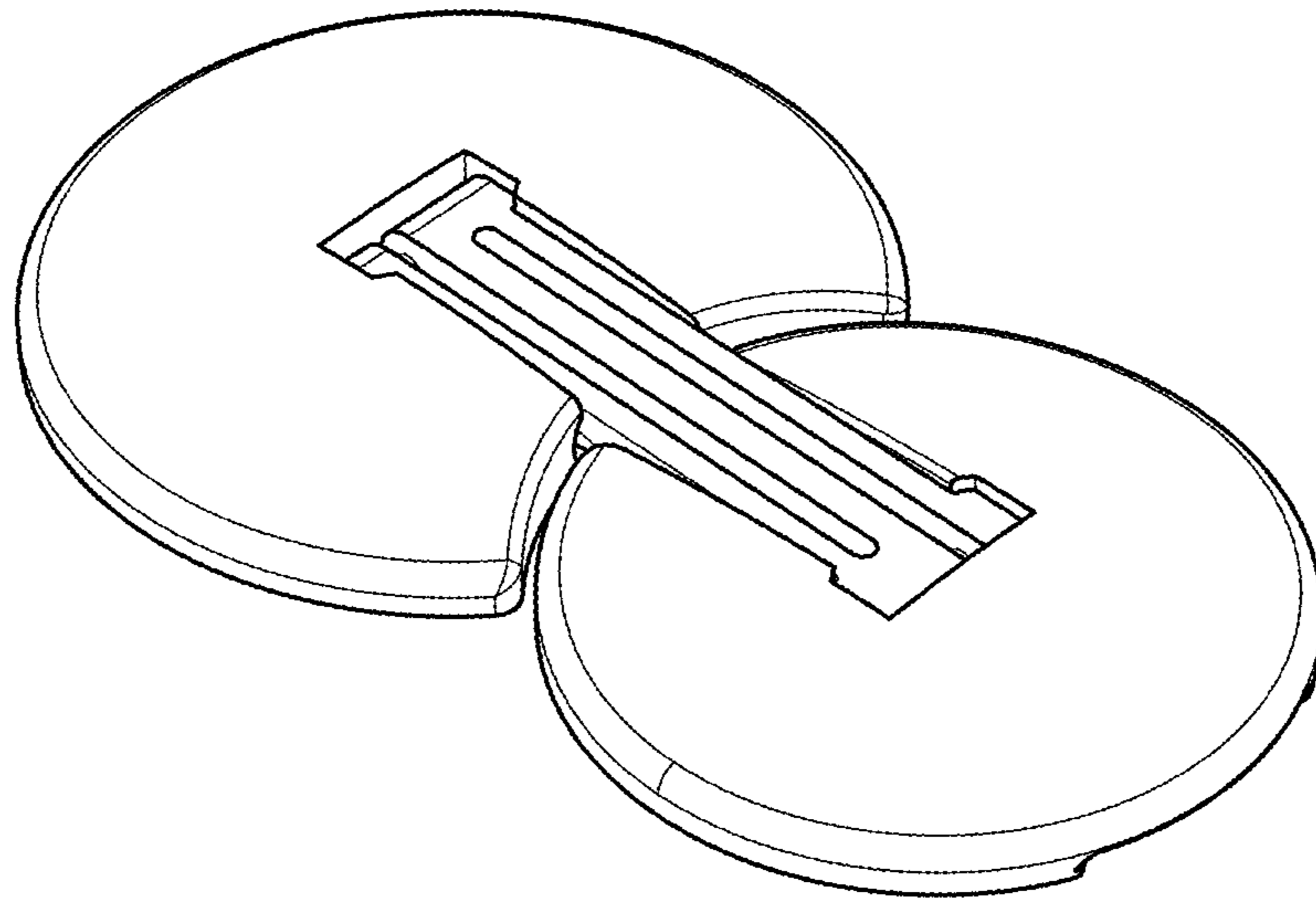


FIG. 4

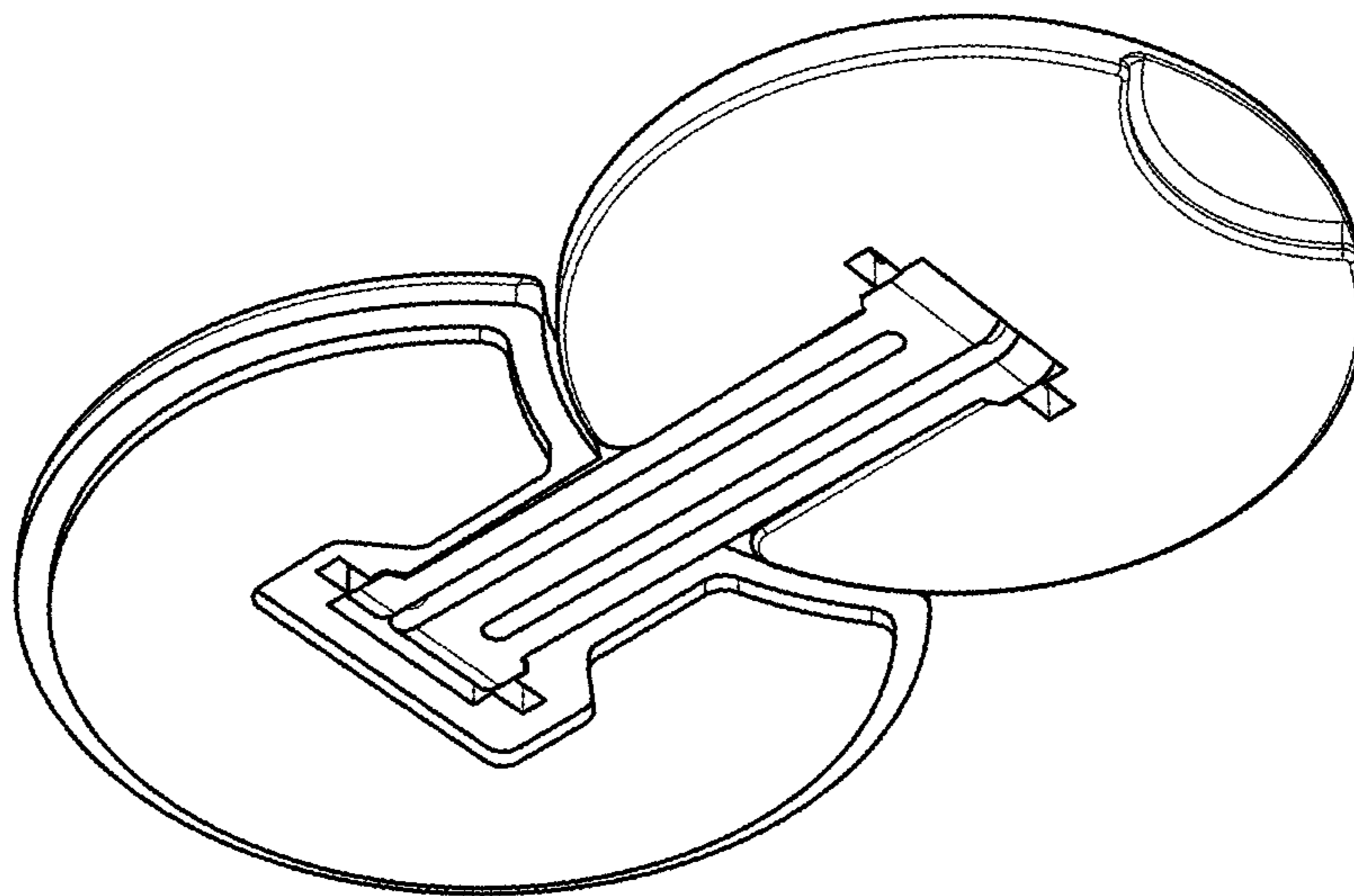


FIG. 5

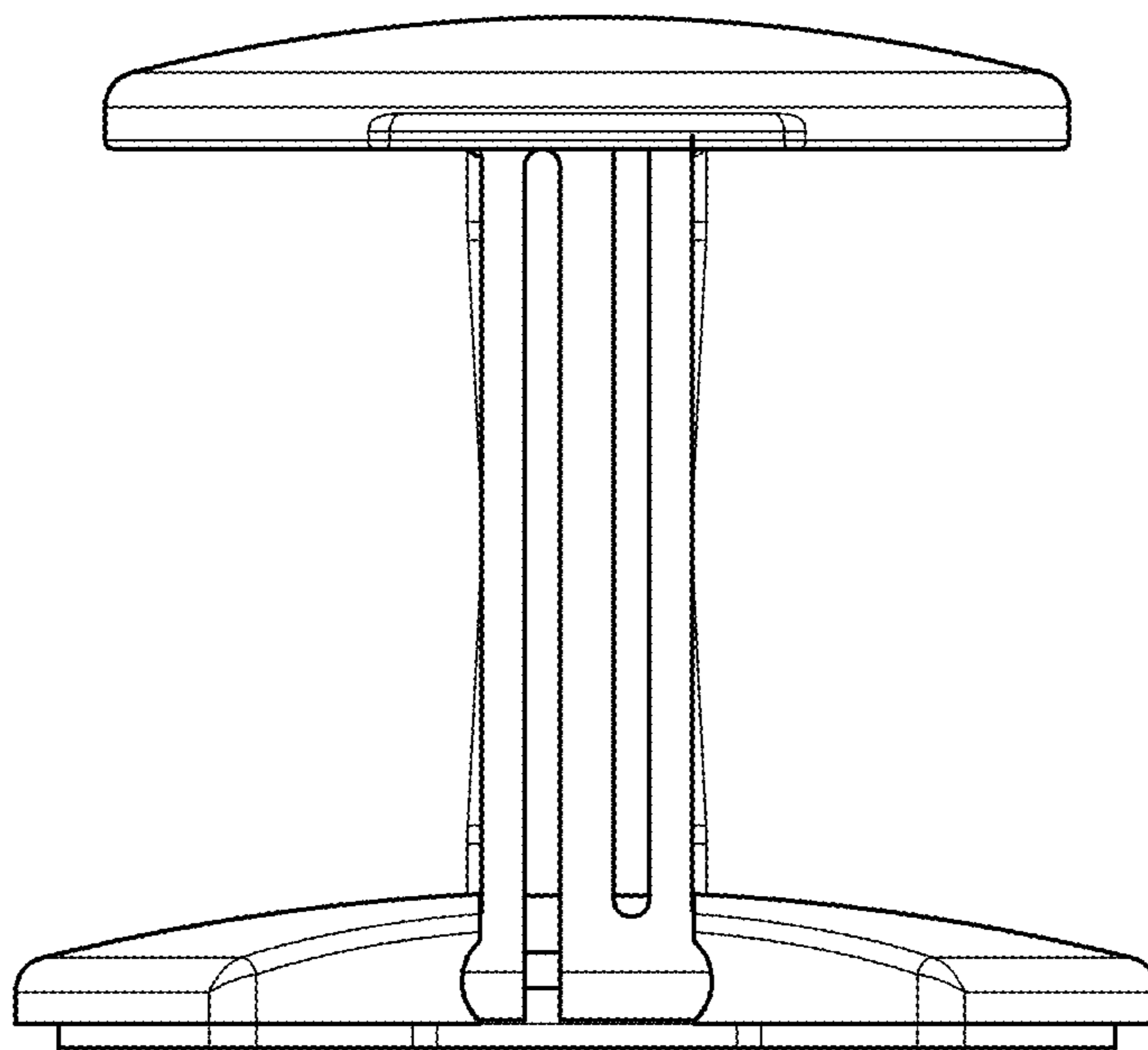


FIG. 6

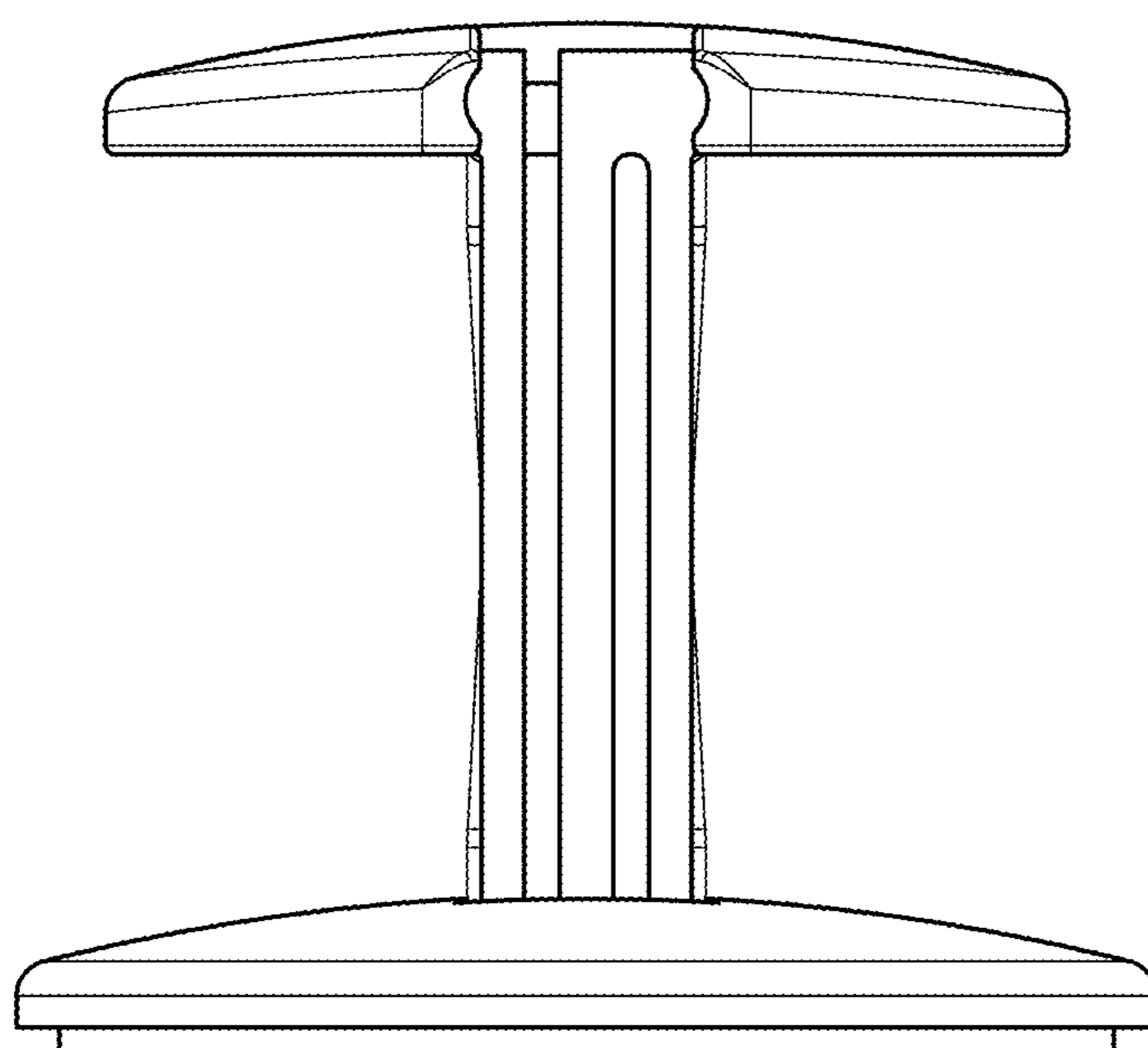


FIG. 7

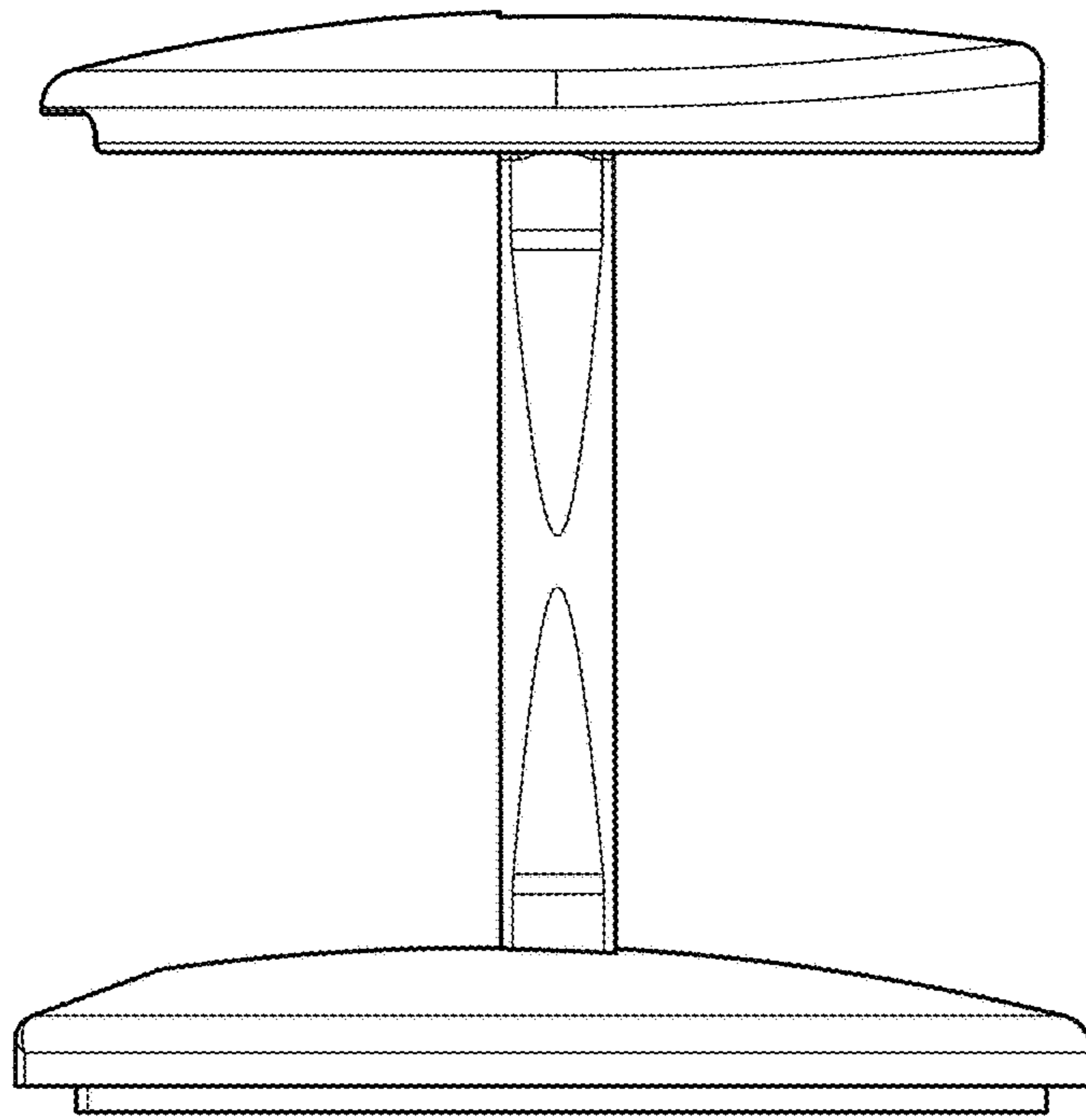


FIG. 8

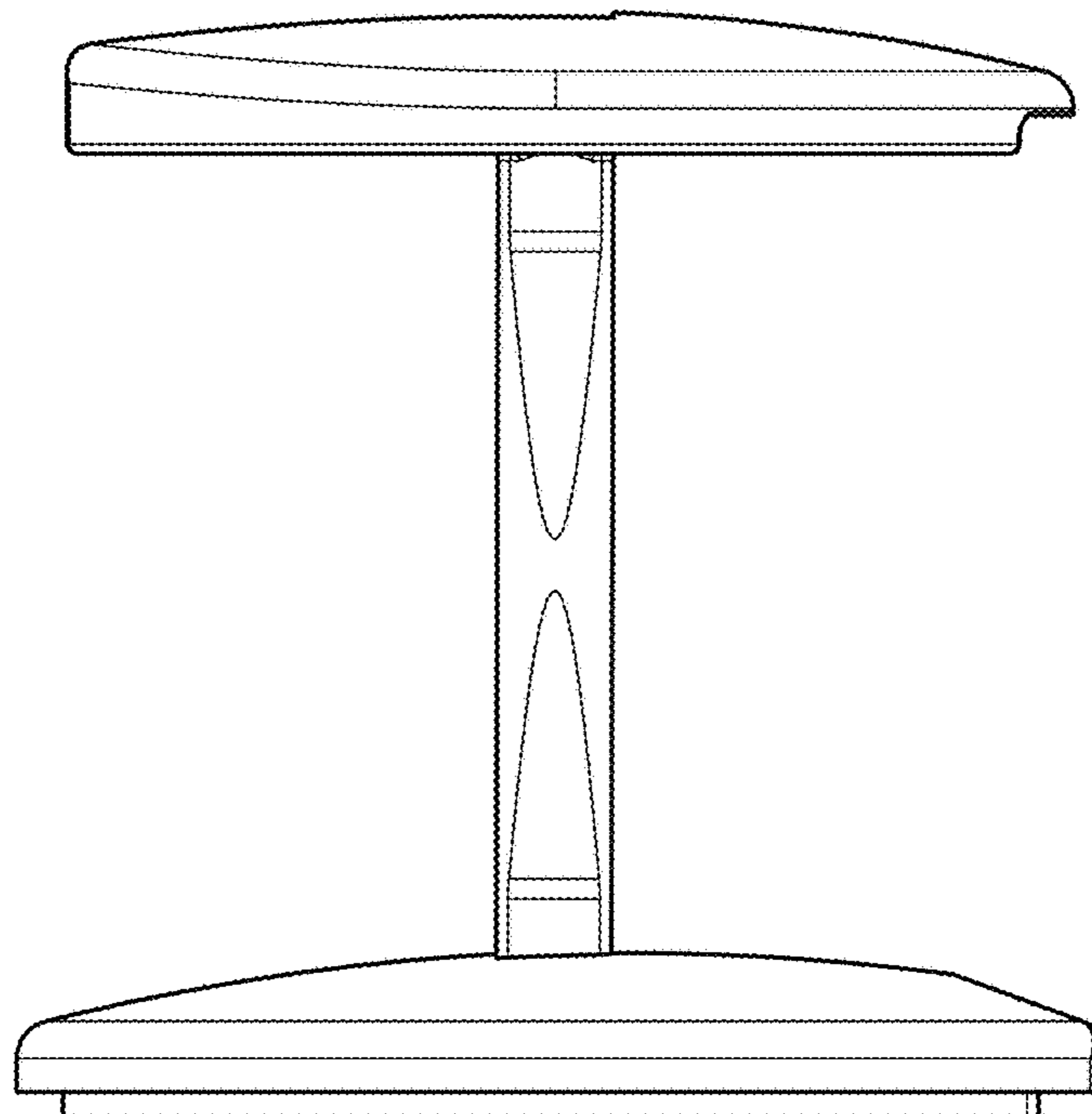


FIG. 9

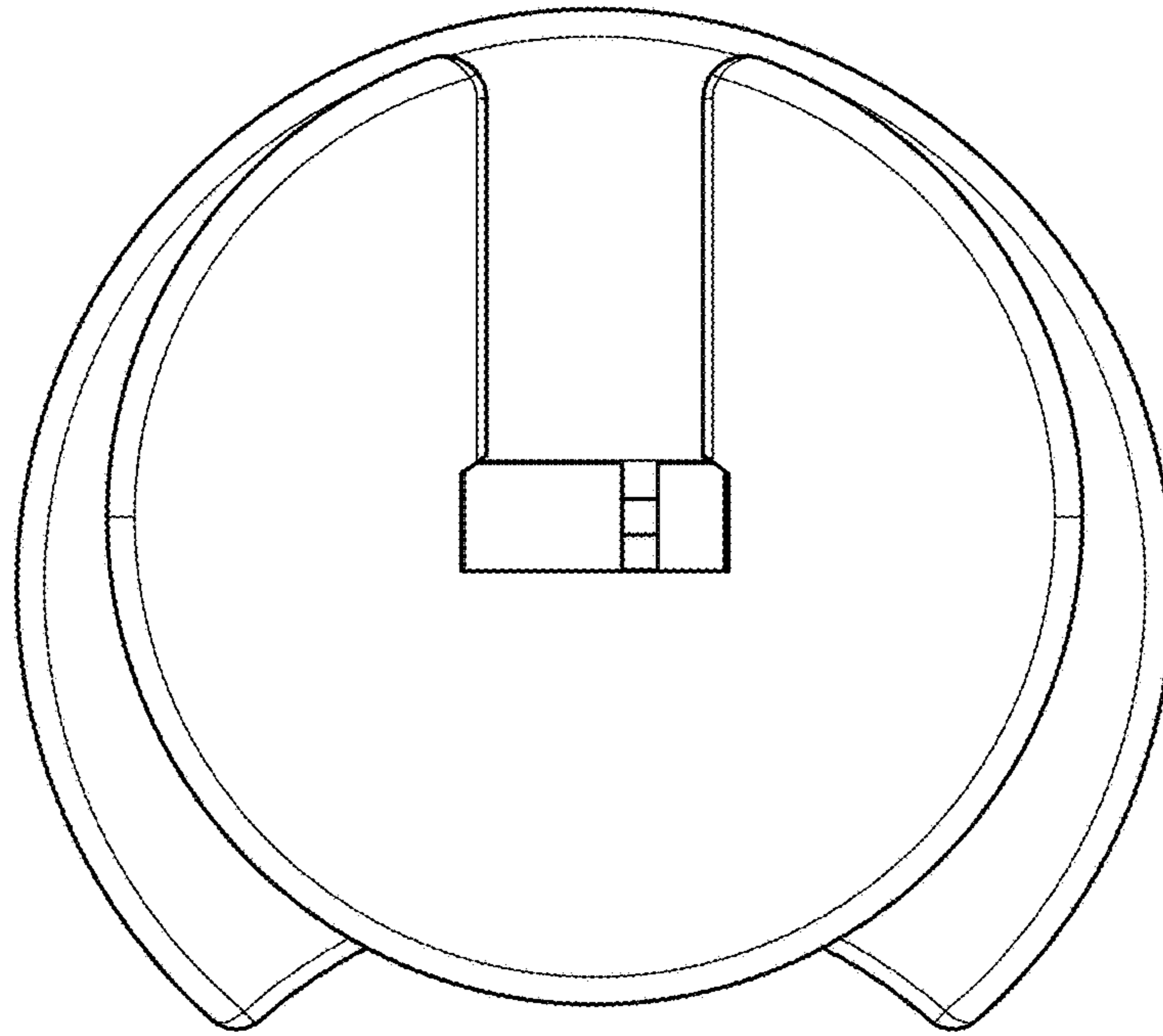


FIG. 10

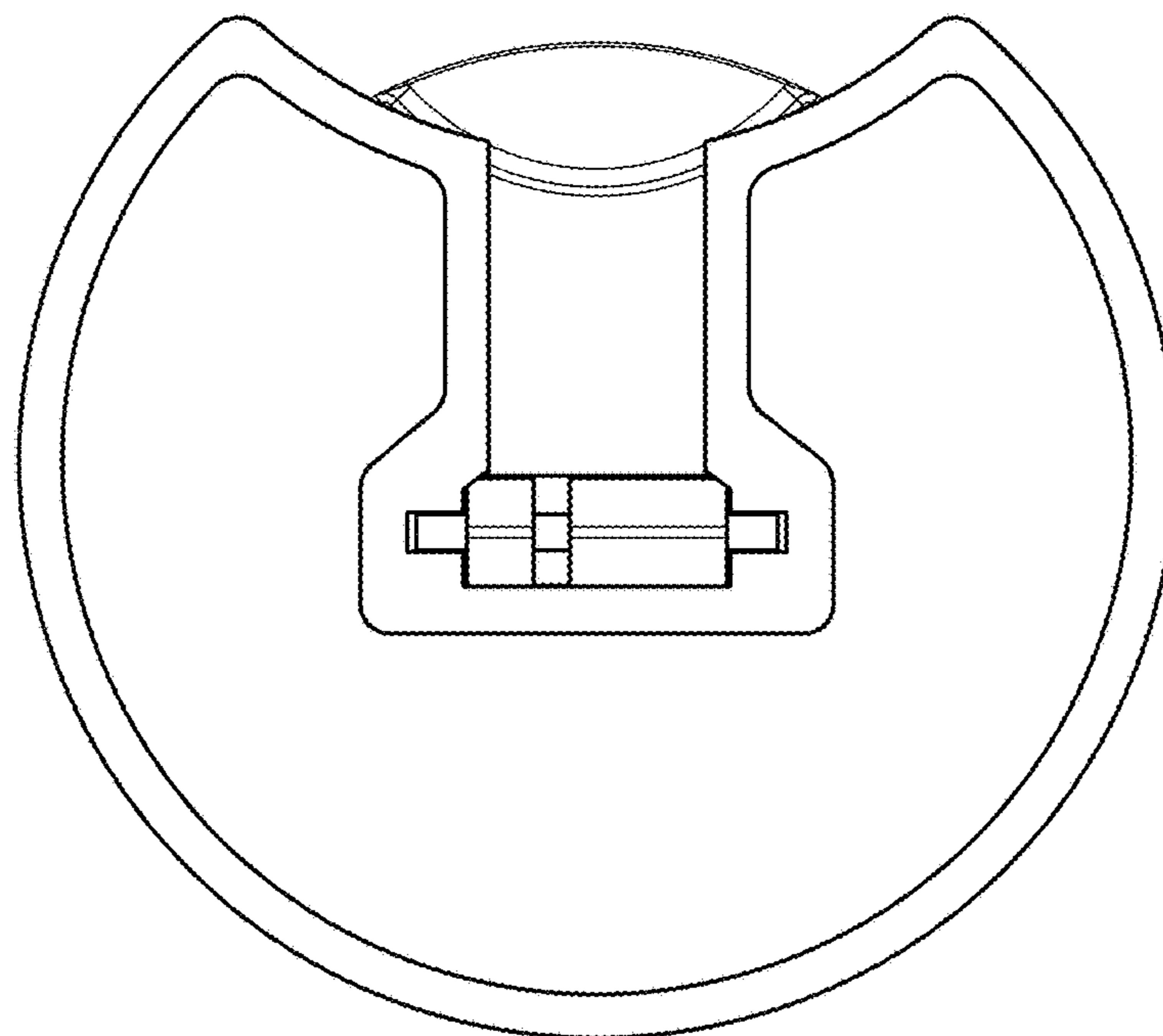


FIG. 11

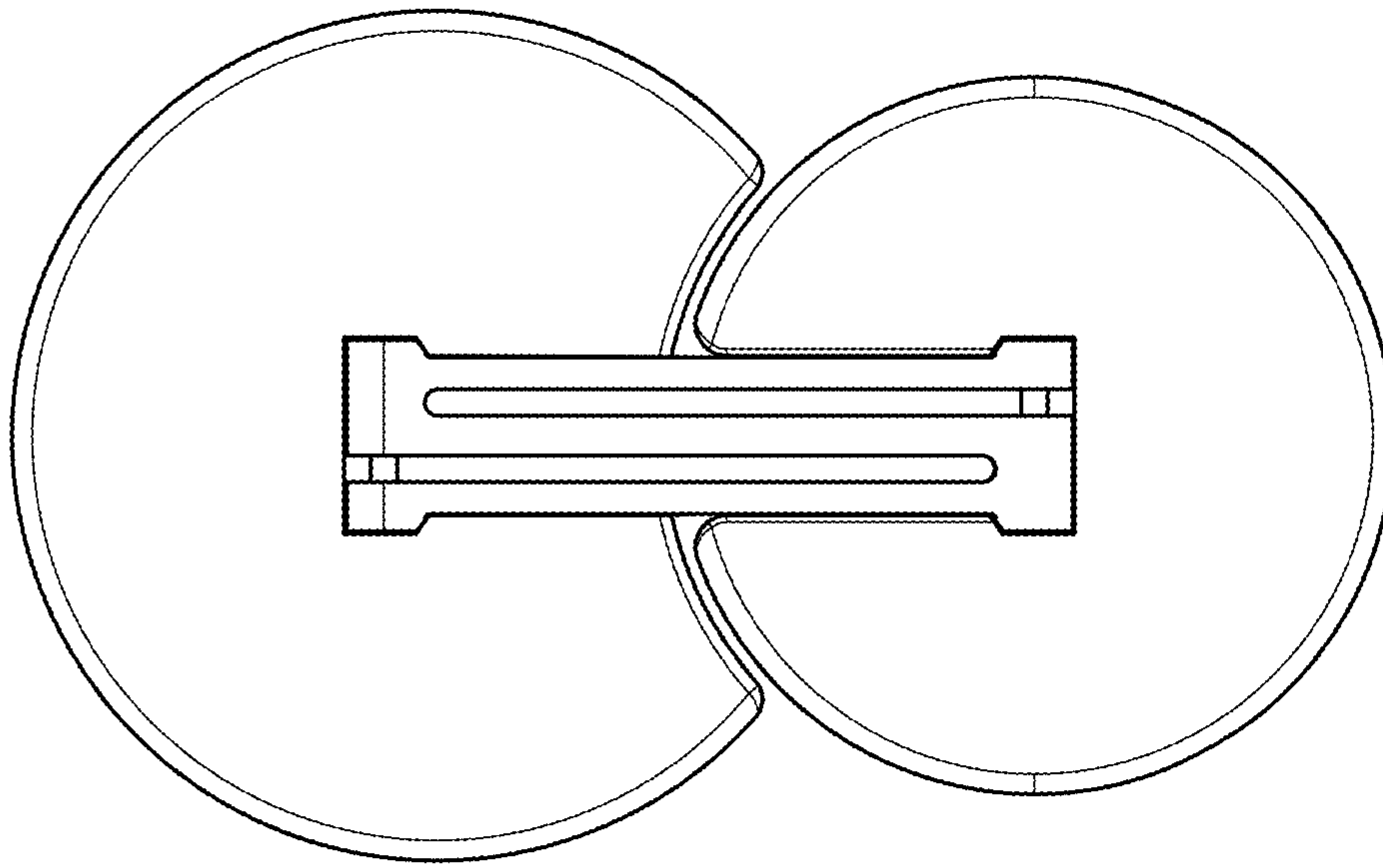


FIG. 12

