

US00D862447S

(12) **United States Design Patent** (10) **Patent No.:** **US D862,447 S**
Kim (45) **Date of Patent:** **** Oct. 8, 2019**

(54) **CASE FOR ELECTRONIC DEVICES**

(71) Applicant: **SPIGEN KOREA CO., LTD.**, Seoul (KR)

(72) Inventor: **Seungjoo Kim**, Seoul (KR)

(73) Assignee: **SPIGEN KOREA CO., LTD.**, Seoul (KR)

(**) Term: **15 Years**

(21) Appl. No.: **29/618,452**

(22) Filed: **Sep. 21, 2017**

(51) **LOC (12) Cl.** **14-03**

(52) **U.S. Cl.**
USPC **D14/250**

(58) **Field of Classification Search**
USPC D3/201, 218, 226, 227, 247, 249, 250,
D3/269, 303; D13/103, 107, 108, 119;
(Continued)

(56) **References Cited**

U.S. PATENT DOCUMENTS

D613,761 S 4/2010 Jones

D613,762 S 4/2010 Jones

(Continued)

OTHER PUBLICATIONS

“iPhone 8 Case / iPhone 7 Case Spigen [Liquid Air Armor] Soft-Flex [Black] Premium Flexible Soft TPU Case for iPhone 7 (2016) / iPhone 8 (2017)—Black (042CS20511)”, <https://www.amazon.co.uk/d/B01GIVX5M4>, Date first available at Amazon.co.uk of Aug. 2, 2016, Downloaded on Oct. 24, 2018.

(Continued)

Primary Examiner — Susan E Krakower

Assistant Examiner — L. A. Grabenstetter

(74) *Attorney, Agent, or Firm* — Heedong Chae; Lucem, PC

(57) **CLAIM**

The ornamental design of a case for electronic devices, as shown and described.

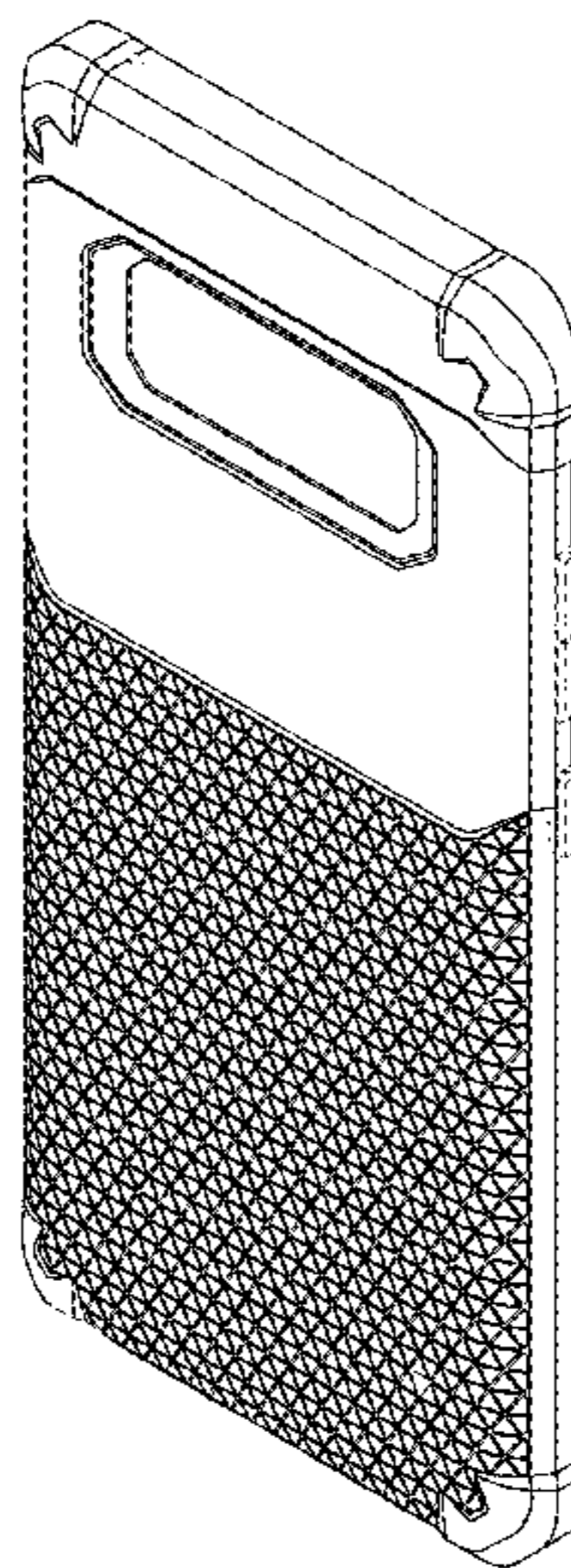
DESCRIPTION

FIG. 1 is a front perspective view of a case for electronic devices showing my new design;
FIG. 2 is a rear perspective view thereof;
FIG. 3 is a front elevational view thereof;
FIG. 4 is a rear elevational view thereof;
FIG. 5 is a left side elevational view thereof;
FIG. 6 is a right side elevational view thereof;
FIG. 7 is an enlarged top plan view thereof;
FIG. 8 is an enlarged bottom plan view thereof;
FIG. 9 is a front perspective view of the inner shell of the case;
FIG. 10 is a rear perspective view of the inner shell of the case;
FIG. 11 is a front perspective view of the outer frame of the case, shown isolated from the case for clarity of illustration;
FIG. 12 is a rear perspective view of the outer frame of the case, shown isolated from the case for clarity of illustration;
FIG. 13 is a front exploded perspective view of the case for electronic devices; and,
FIG. 14 is a rear exploded perspective view of the case for electronic devices.

The case for electronic devices, in which the claimed design is embodied, consists of an inner shell and an outer frame, the claim is directed to the ornamental appearance of the case for electronic devices in its entirety and does not extend to the ornamental appearance of each of the individual components in isolation.

The broken lines, and unshaded regions bounded by broken lines, depict portions of the case for electronic devices that form no part of the claimed design. The surfaces comprising the interior of the primary cavity within the front of the case form no part of the claimed design.

1 Claim, 14 Drawing Sheets



(58) Field of Classification Search

USPC D14/137, 138 R, 138 AA, 138 C, 138 G, D14/203.3–203.7, 217, 238.1, 247, 248, D14/250–253, 440, 447
CPC H04B 1/3888; H04M 1/0283; H04M 1/0202; A45C 1/06; A45C 2011/002; A45C 11/00; A45F 2005/028; A45F 2200/0525

See application file for complete search history.

(56) References Cited

U.S. PATENT DOCUMENTS

D613,763 S 4/2010 Jones
D614,668 S 4/2010 Jones
D619,361 S 7/2010 Andre
D624,908 S 10/2010 Huskinson
D632,685 S 2/2011 Richardson et al.
D636,387 S 4/2011 Willes
D637,589 S 5/2011 Willes et al.
D646,265 S 10/2011 Fathollahi
D655,288 S 3/2012 de Jong et al.
D662,925 S * 7/2012 Mayberry D14/250
D663,294 S 7/2012 Buxton
D670,279 S * 11/2012 Veltz D14/250
D673,547 S 1/2013 Melanson et al.
D676,035 S 2/2013 Chang
D678,871 S 3/2013 Mishan et al.
D679,271 S 4/2013 Liu
D681,615 S 5/2013 Fathollahi
D684,150 S 6/2013 Goradesky et al.
D685,361 S 7/2013 Goradesky et al.
8,517,172 B1 8/2013 Chang
8,706,176 B1 4/2014 Jia
D706,254 S 6/2014 Chang
D709,871 S 7/2014 Lee
D719,145 S * 12/2014 Barfoot D14/250
D721,071 S 1/2015 Nelson
8,958,857 B1 * 2/2015 Kennard A45C 11/00 361/679.02
9,025,948 B2 * 5/2015 Tages G03B 17/02 206/316.2
9,049,283 B1 6/2015 Kim
9,176,532 B2 * 11/2015 Tages G06F 1/1633
9,185,954 B2 11/2015 Cheung
D749,068 S 2/2016 Zaborski
D749,535 S 2/2016 Joung
D749,594 S 2/2016 Kim
D753,099 S 4/2016 Kim
D755,764 S 5/2016 Dong
D755,772 S 5/2016 Sasaki
D756,339 S 5/2016 Tussy
D756,340 S 5/2016 Babichenko
D756,343 S 5/2016 Wall et al.
D756,909 S 5/2016 Gupta
D756,977 S 5/2016 Schriefer
D756,978 S 5/2016 Addonisio
D756,980 S 5/2016 Beeman
D757,703 S 5/2016 Kanazawa
D759,641 S 6/2016 Lai et al.
D759,642 S 6/2016 Chao
D762,633 S 8/2016 Fife
D765,634 S 9/2016 McCray et al.
D765,635 S 9/2016 Chang
D765,638 S 9/2016 Gaylord
D765,640 S 9/2016 Bulkley
D766,226 S * 9/2016 Wu D14/250
D766,227 S * 9/2016 Wu D14/250
D767,554 S 9/2016 Bertrand et al.
D768,615 S 10/2016 Wang
D769,855 S * 10/2016 Deng D14/250
9,467,189 B2 10/2016 Day et al.
D771,027 S 11/2016 Prstojevic et al.
D771,028 S 11/2016 Kim
D771,607 S 11/2016 Kim
D771,608 S 11/2016 Kim
D772,209 S 11/2016 Kim

D772,858 S 11/2016 Hu
9,503,147 B2 11/2016 Witter et al.
D776,104 S 1/2017 Tien
D777,155 S 1/2017 Kim
D777,156 S 1/2017 Kim
D777,160 S 1/2017 Kim
9,545,140 B1 1/2017 Johnson et al.
D778,898 S 2/2017 Kim
D780,166 S 2/2017 Lin
D780,167 S 2/2017 Tien
D782,460 S 3/2017 Bertrand et al.
9,585,449 B2 * 3/2017 Harris A45C 11/00
D783,588 S * 4/2017 Chang D14/250
D786,851 S 5/2017 Kim
D786,852 S 5/2017 Kim
D787,491 S 5/2017 Kim
D787,497 S * 5/2017 Friedland D14/250
D787,942 S 5/2017 Kim
D789,347 S * 6/2017 Zamudio D14/250
D791,755 S 7/2017 Kim
D794,624 S * 8/2017 Fernandes D14/250
D794,626 S * 8/2017 Armstrong D14/250
D796,497 S 9/2017 Kim
D800,713 S 10/2017 Kim
D800,714 S 10/2017 Lee et al.
D801,323 S 10/2017 Kim
D803,206 S 11/2017 Kim
D808,374 S 1/2018 Lee et al.
2009/0017883 A1 1/2009 Lin
2011/0050606 A1 3/2011 Zhang
2013/0077211 A1 3/2013 Wang
2013/0126531 A1 5/2013 Hynecsek
2014/0262855 A1 9/2014 Gandhi
2014/0360892 A1 12/2014 Lin
2015/0156297 A1 6/2015 Crawford
2015/0335116 A1 11/2015 Kim
2016/0028430 A1 1/2016 Crawford
2016/0101902 A1 4/2016 Kim
2016/0204817 A1 7/2016 Kim
2016/0285301 A1 9/2016 Kim
2016/0374443 A1 12/2016 Kim
2017/0150792 A1 6/2017 Kim
2017/0230072 A1 8/2017 Kim

OTHER PUBLICATIONS

“Spigen Liquid Air Armor iPhone 8 Plus Case / iPhone 7 Plus Case with Durable Flex and Easy Grip Design for Apple iPhone 8 Plus 2017 / iPhone 7 Plus 2016—Black”, https://www.amazon.com/dp/B01GIWG3D6, earliest review date of Sep. 7, 2016.
“Spigen Liquid Air Armor iPhone 7 Case / iPhone 8 Case with Durable Flex and Easy Grip Design for Apple iPhone 7 (2016) / iPhone 8 (2017)—Black”, https://www.amazon.com/dp/B01GIVX5M4, earliest review date of Sep. 12, 2016.
“Spigen Neo Hybrid OnePlus 3 Case/OnePlus 3T Case with Flexible Inner Protection and Reinforced Hard Bumper Frame for OnePlus 3 2016—Gunmetal”, https://www.amazon.com/Spigen-OnePlus-Flexible-Protection-Reinforced/dp/B01H3PF76Q, Earliest review date of Aug. 9, 2016.
“Spigen Slim Armor View Galaxy S4 Case with Automatic Sleep / Wake Feature for Galaxy S4 2013—Soul Black”, https://www.amazon.com/Spigen-Armor-Galaxy-Automatic-Feature/dp/B00DCCVS5Y, Earliest review date of Mar. 18, 2013, Downloaded on Feb. 19, 2019.
Spigen Tough Armor Galaxy S5 Case with Extreme Heavy Duty Protection and Air Cushion Technology for Samsung Galaxy S5 2014—Gunmetal, https://www.amazon.com/Spigen-Extreme-Protection-Cushion-Technology/dp/B00I3UWDV8, Earliest review date of Mar. 9, 2014, Downloaded on Aug. 9, 2018.
“Spigen Slim Armor Galaxy S5 Case with Air Cushion Technology and Hybrid Drop Protection for Samsung Galaxy S5 2014—Metal Slate”, https://www.amazon.com/dp/B00I3UWD7C, Earliest review date of Apr. 11, 2014, Downloaded on Sep. 18, 2018.
“Spigen Tough Armor Galaxy S6 Edge Case with Reinforced Kickstand and Heavy Duty Protection and Air Cushion Technology

(56)

References Cited

OTHER PUBLICATIONS

for Samsung Galaxy S6 Edge (2015)—Gunmetal”, <https://www.amazon.com/Spigen-Reinforced-Kickstand-Protection-Technology/dp/B00SV63L38>, Earliest review date of Mar. 12, 2015, Downloaded on Aug. 9, 2018.

“Spigen Slim Armor Galaxy S6 Case with Air Cushion Technology and Kickstand for Samsung Galaxy S6 2015—Shimmery White”, <https://www.amazon.com/dp/B00QU4NQMY>, Earliest review date of Mar. 21, 2015, Downloaded on Sep. 18, 2018.

“Spigen Tough Armor Galaxy S6 Case with Reinforced Kickstand and Heavy Duty Protection and Air Cushion Technology for Samsung Galaxy S6 (2015)—Gunmetal”, <https://www.amazon.com/Spigen-Reinforced-Kickstand-Protection-Technology/dp/B00QU4PUKK>, Earliest review date of Mar. 23, 2015, Downloaded on Aug. 9, 2018.

“Spigen Slim Armor Galaxy S6 Edge Case with Air Cushion Technology and Hybrid Drop Protection for Galaxy S6 Edge 2015—Gunmetal”, <https://www.amazon.com/dp/B00SV638ZE>, Earliest review date of Apr. 3, 2015, Downloaded on Sep. 18, 2018.

“Spigen Slim Armor Galaxy Note 5 Case with Air Cushion Technology and Hybrid Drop Protection for Galaxy Note 5 2015—Metal Slate”, <https://www.amazon.com/dp/B010MWHIKA>, Earliest review date of Aug. 21, 2015, Downloaded on Jul. 18, 2018.

Korguenkomodo, “Slim Armor case—Galaxy S6 Edge Plus”, https://www.youtube.com/watch?v=hrEnHS_S1i4, Published on Oct. 12, 2015, Downloaded on Mar. 19, 2019.

“Spigen Tough Armor Galaxy S7 Edge Case with Kickstand and Extreme Heavy Duty Protection and Air Cushion Technology for Samsung Galaxy S7 Edge 2016—Gunmetal”, <https://www.amazon.com/Spigen-Kickstand-Extreme-Protection-Technology/dp/B01A7IDNWQ>, Earliest review date of Feb. 24, 2016, Downloaded on Aug. 9, 2018.

“Spigen Tough Armor Galaxy S7 Case with Extreme Heavy Duty Protection and Air Cushion Technology for Samsung Galaxy S7 2016—Gunmetal”, <https://www.amazon.com/Spigen-Extreme-Protection-Cushion-Technology/dp/B01A71D3PS>, Earliest review date of Feb. 25, 2016, Downloaded on Aug. 9, 2018.

“Spigen Slim Armor Galaxy S7 Edge Case with Kickstand and Air Cushion Technology and Hybrid Drop Protection for Samsung Galaxy S7 Edge 2016—Champagne Gold”, <https://www.amazon.com/dp/B01BEBBWY6>, Earliest review date of Feb. 26, 2016, Downloaded on Sep. 18, 2018.

“Spigen Slim Armor Galaxy S7 Case with Kickstand and Air Cushion Technology and Hybrid Drop Protection for Samsung Galaxy S7 2016—Violet”, <https://www.amazon.com/dp/B01AUR1D8K>, Earliest review date of Mar. 2, 2016, Downloaded on Sep. 18, 2018.

* cited by examiner

FIG. 1

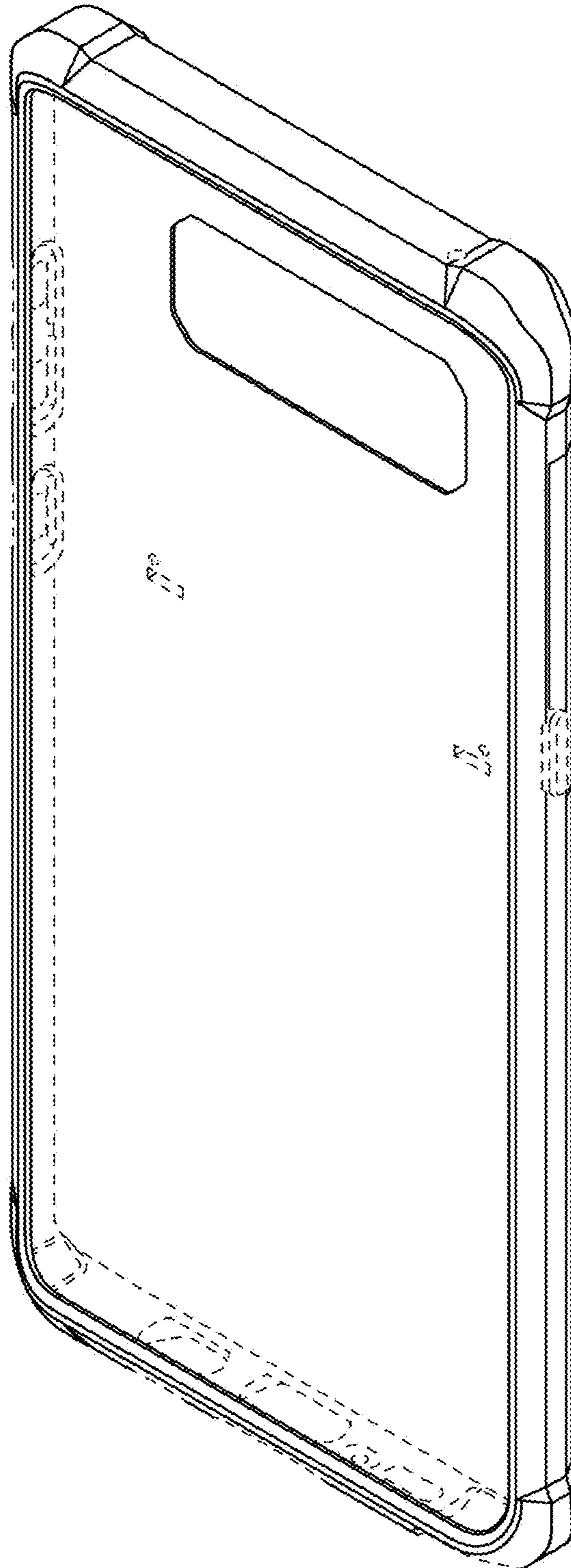


FIG. 2

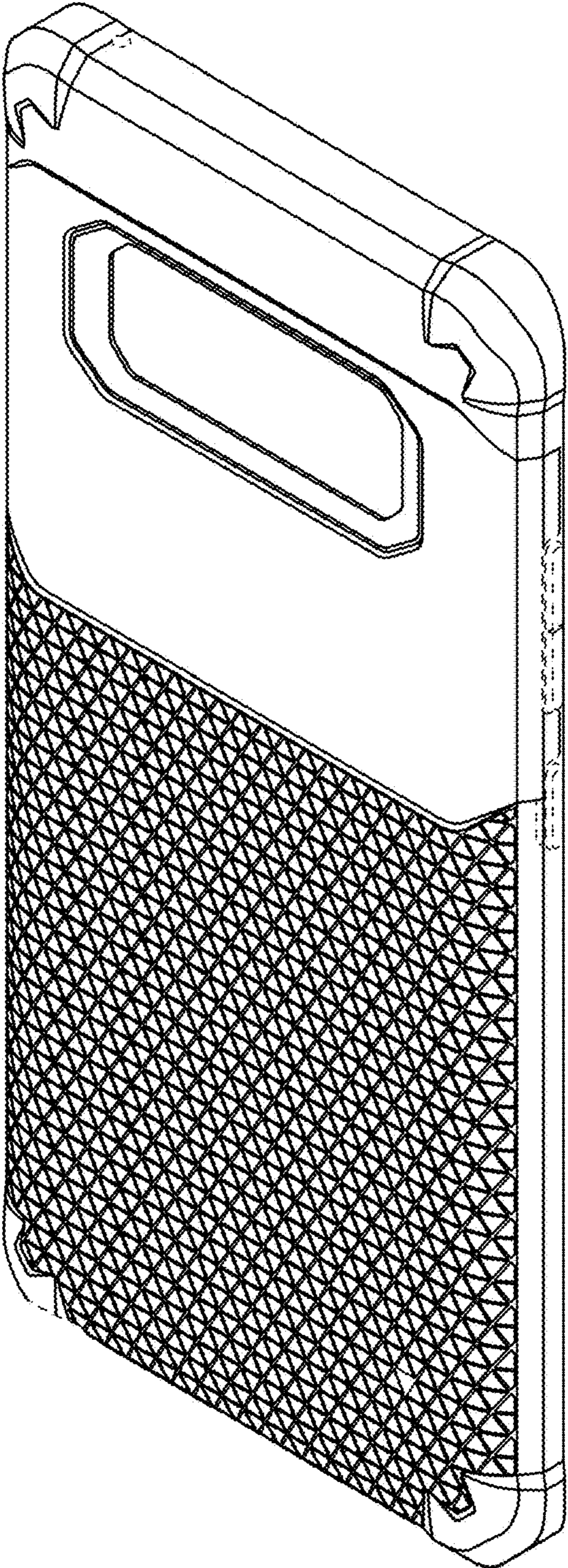


FIG. 3

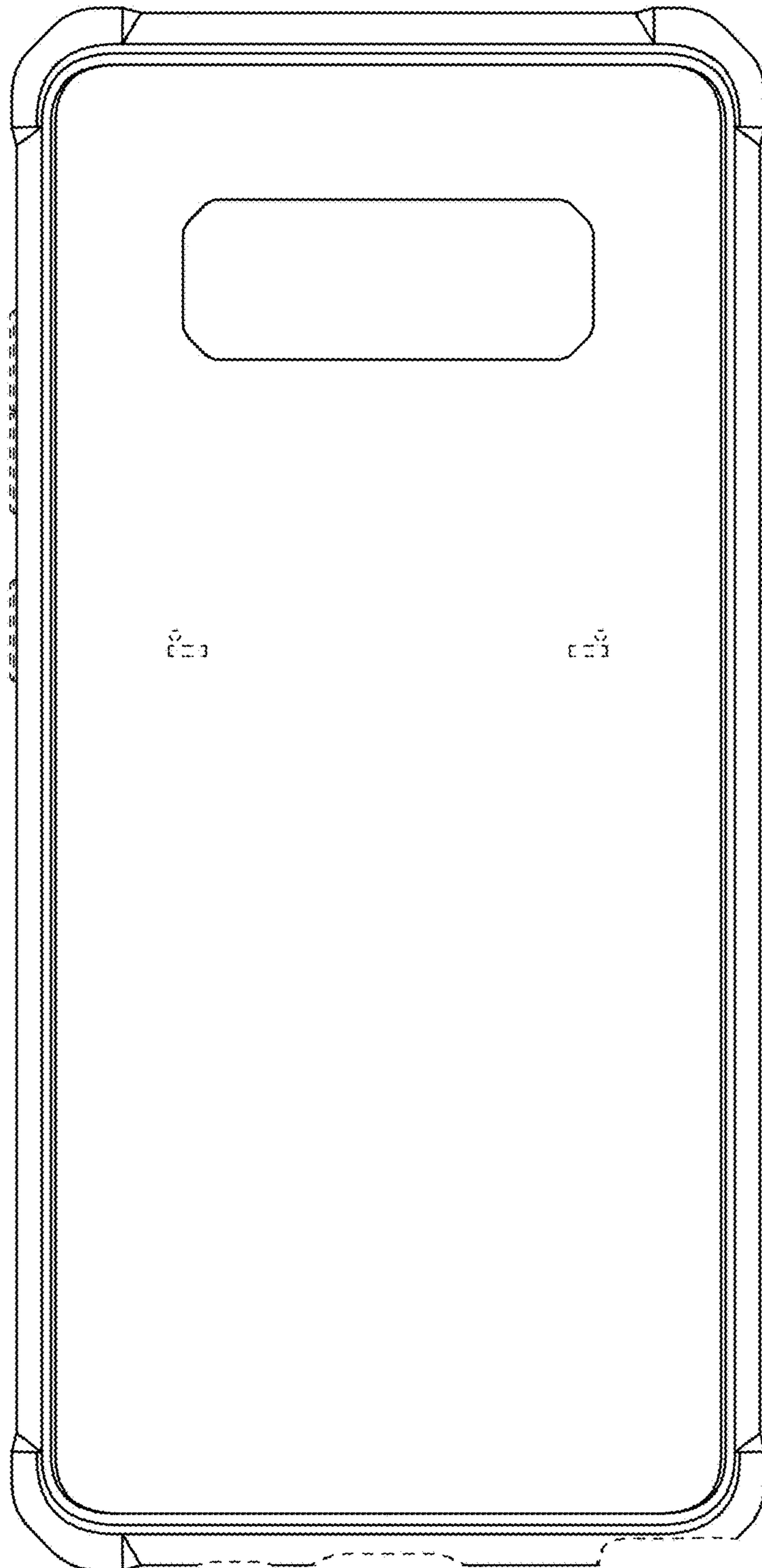


FIG. 4

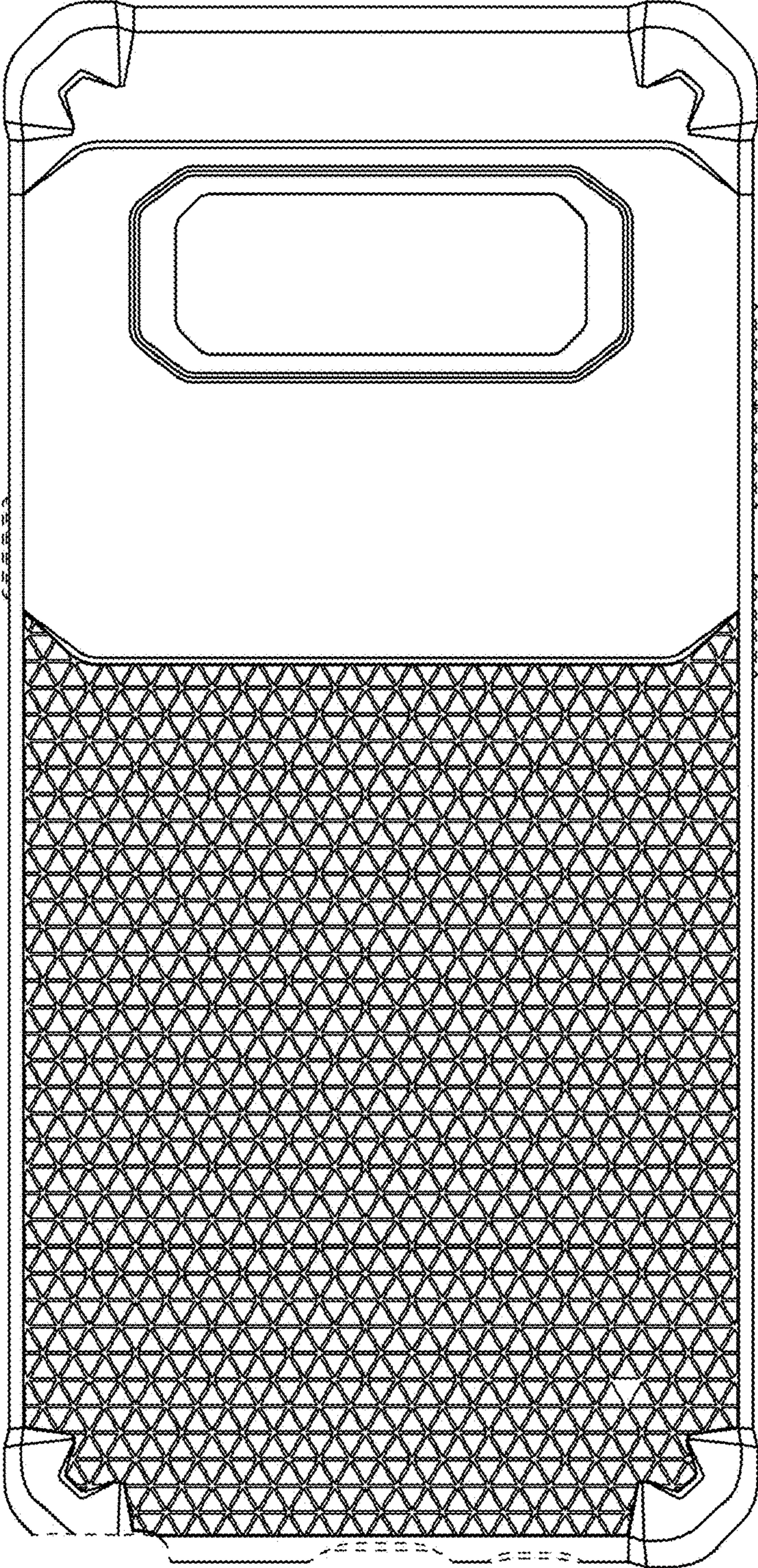


FIG. 5

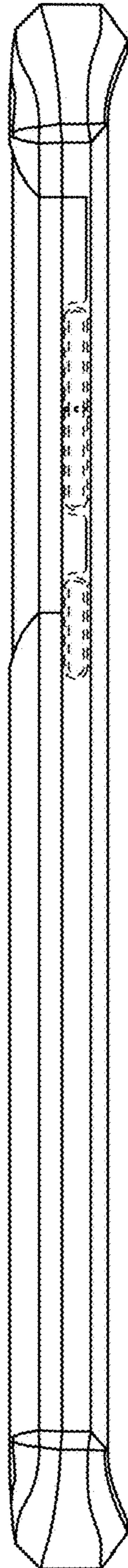


FIG. 6

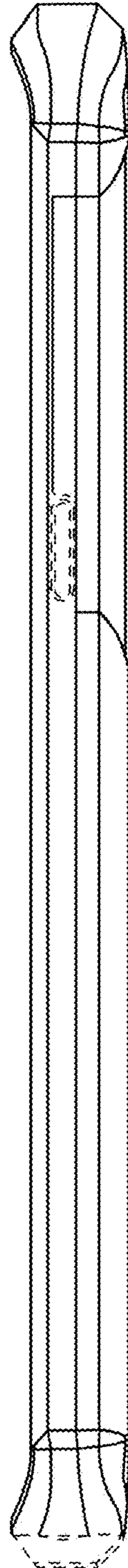


FIG. 7

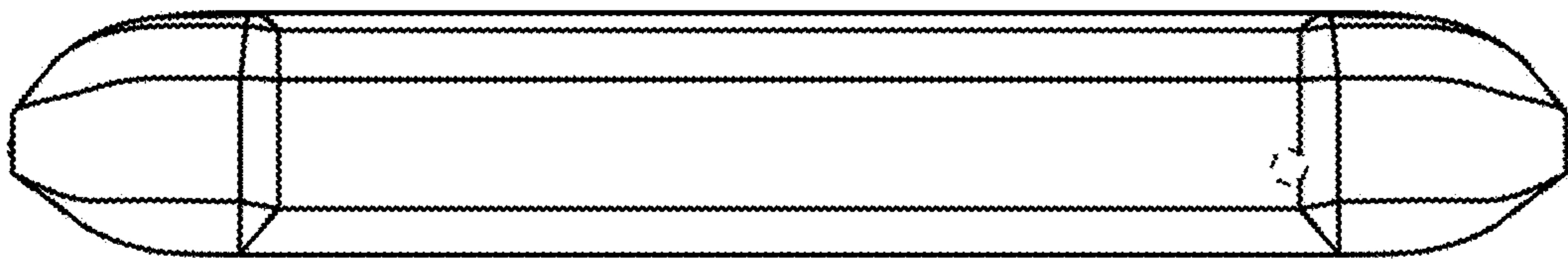


FIG. 8

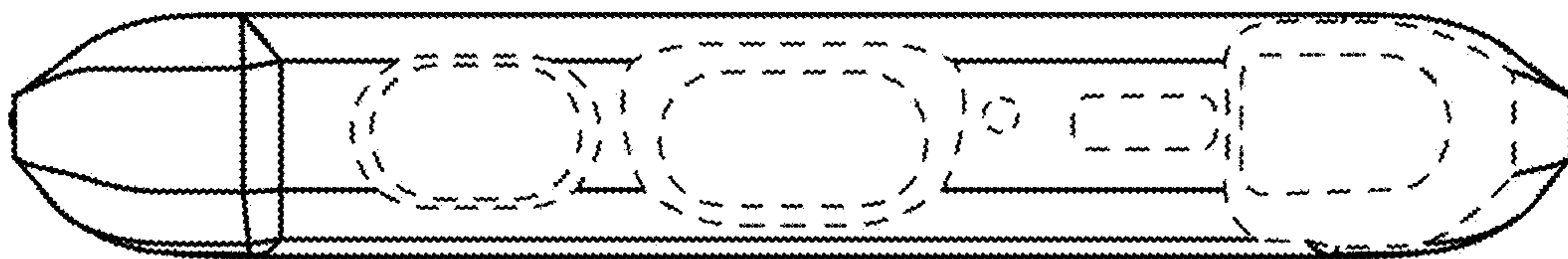


FIG. 9

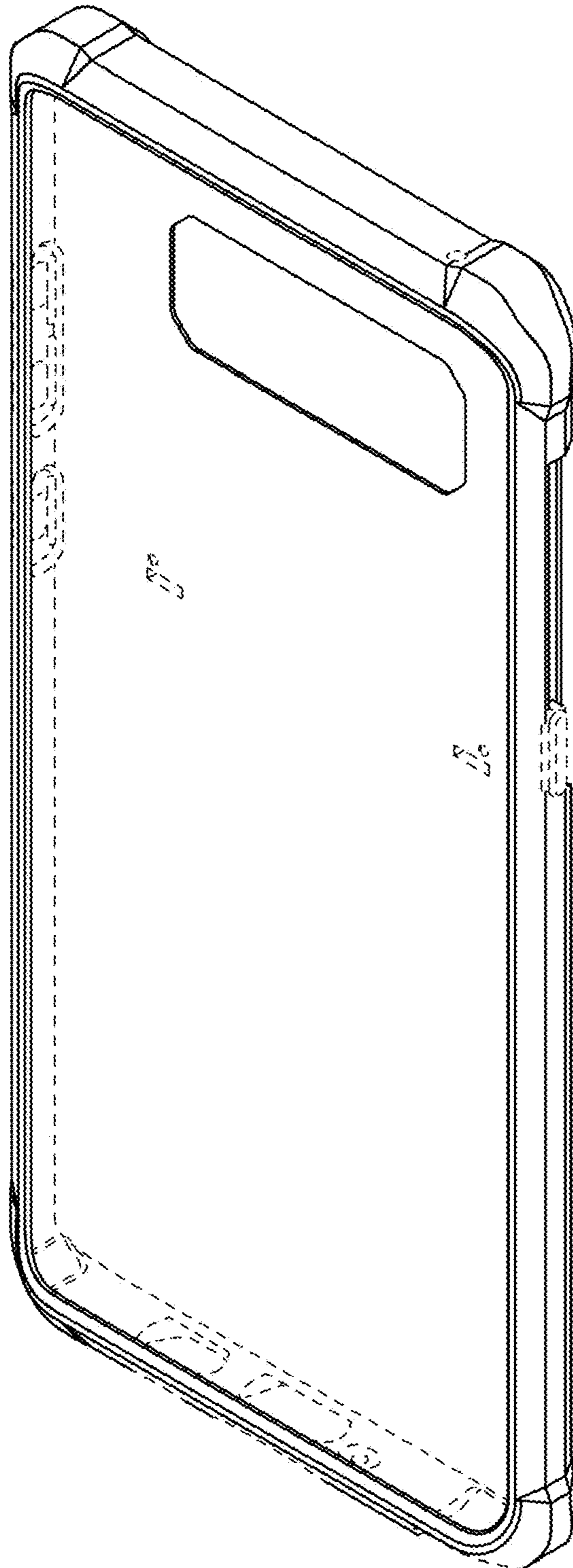


FIG. 10

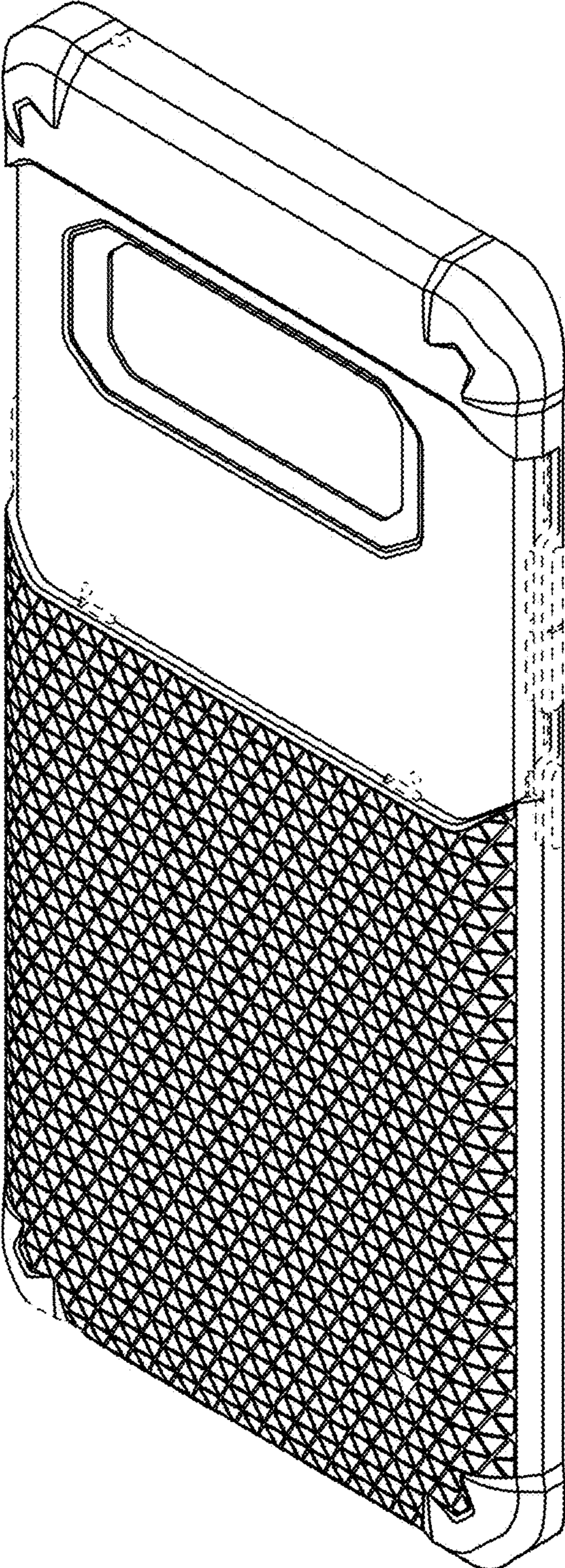


FIG. 11

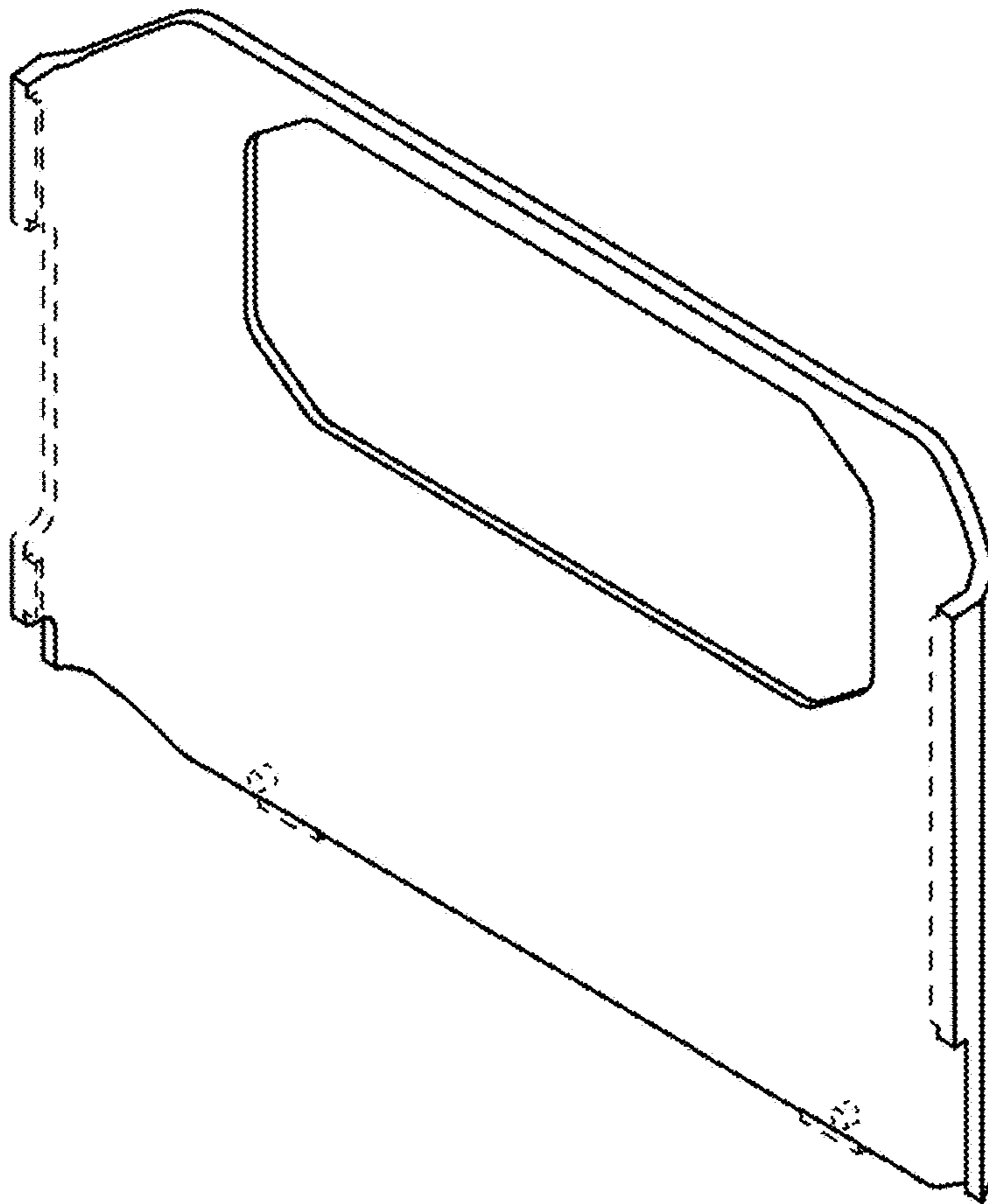


FIG. 12

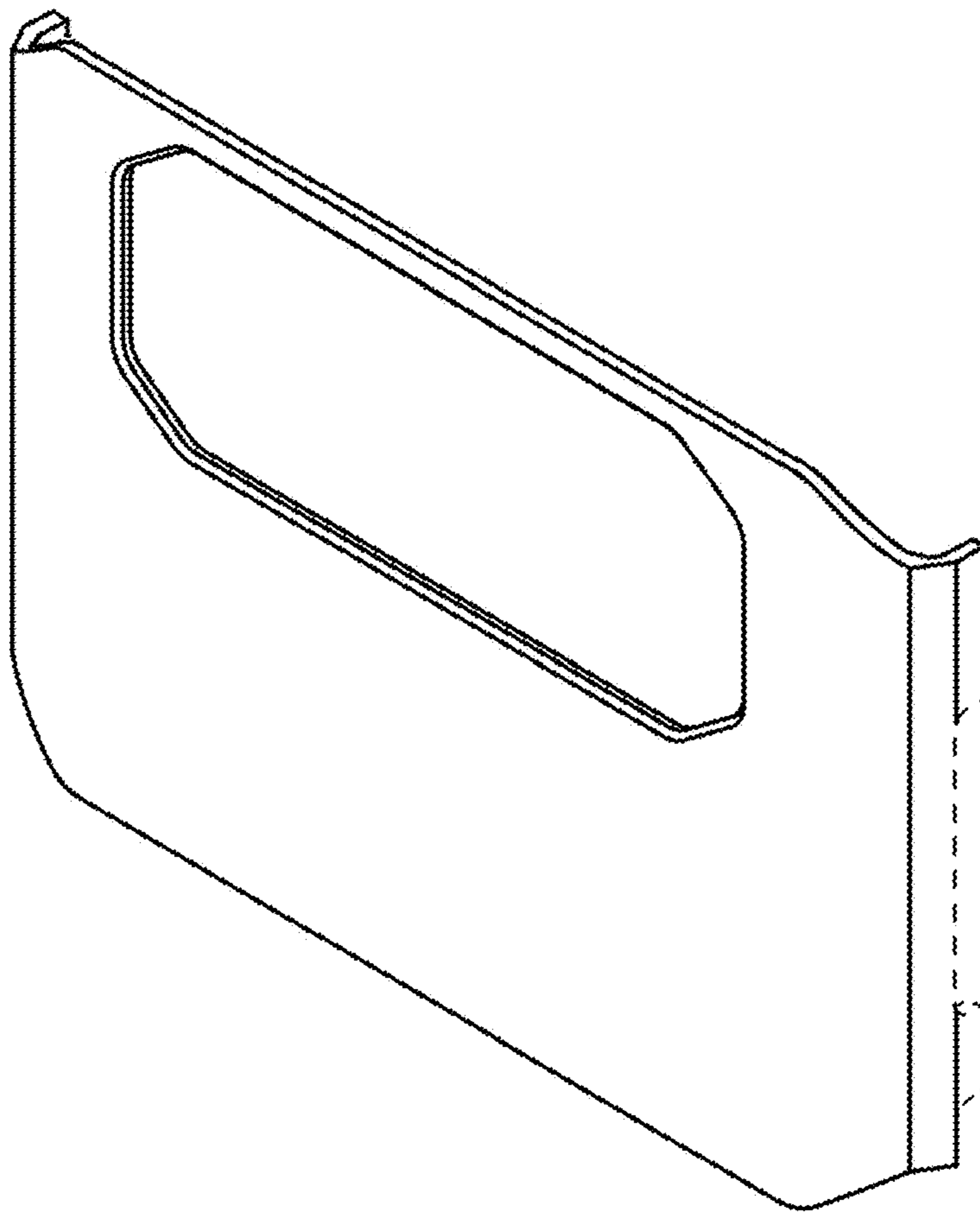


FIG. 13

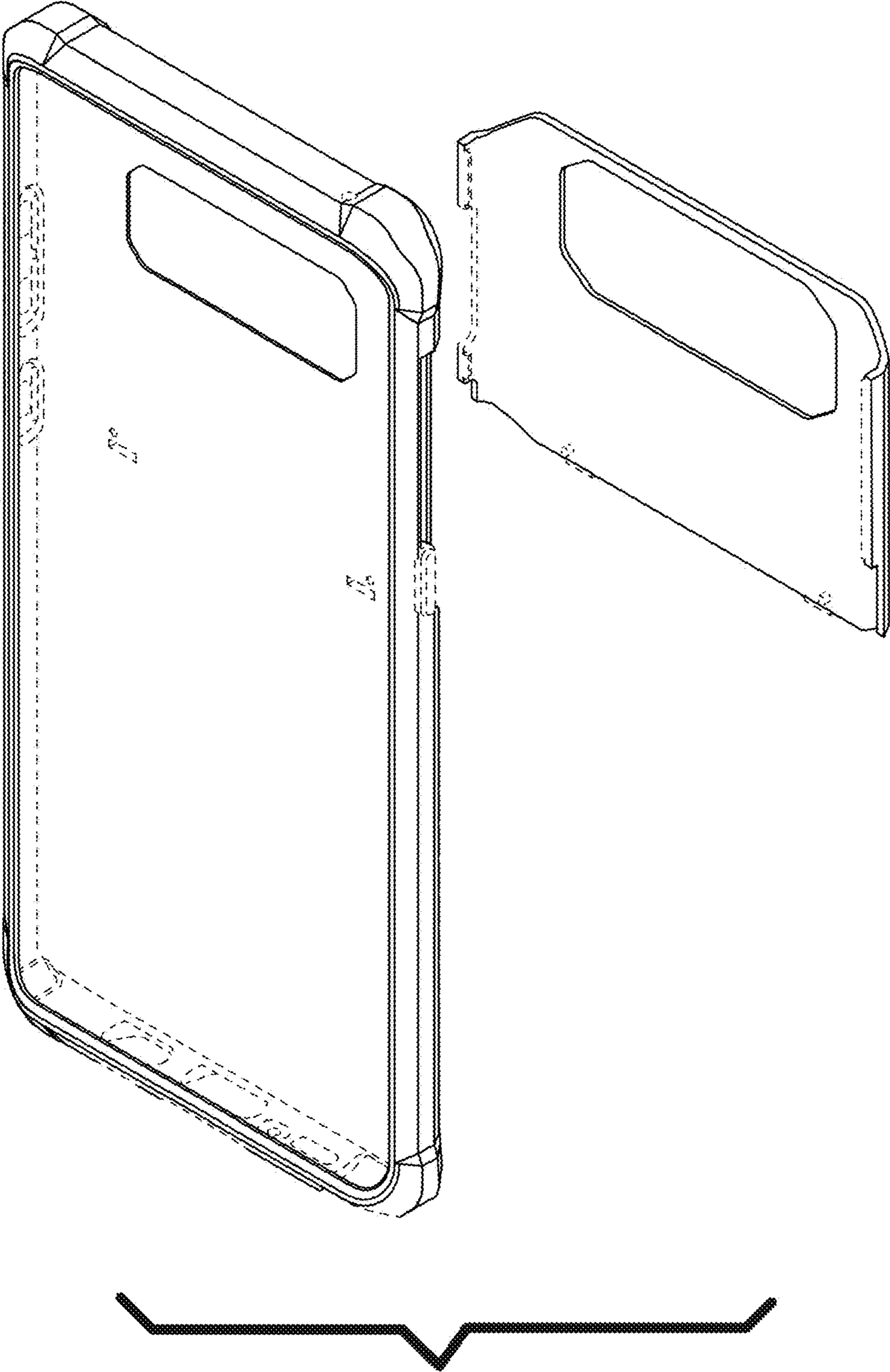


FIG. 14

