



US00D862446S

(12) **United States Design Patent**
Jia et al.

(10) **Patent No.:** **US D862,446 S**

(45) **Date of Patent:** **** Oct. 8, 2019**

- (54) **CELL PHONE PROTECTOR CASE**
- (71) Applicants: **Jun Jia**, Guangdong (CN); **Lihui Zhang**, Guangdong (CN)
- (72) Inventors: **Jun Jia**, Guangdong (CN); **Lihui Zhang**, Guangdong (CN)
- (73) Assignee: **Valor Communications, Inc.**, City of Industry, CA (US)
- (**) Term: **15 Years**
- (21) Appl. No.: **29/604,756**
- (22) Filed: **May 19, 2017**
- (51) **LOC (12) Cl.** **14-03**
- (52) **U.S. Cl.**
USPC **D14/250**
- (58) **Field of Classification Search**
USPC D3/201, 218, 226, 227, 247, 249, 250,
D3/269, 303; D13/103, 107, 108, 119;
D14/137, 138 R, 138 AA, 138 C, 138 G,
D14/203.3-203.7, 217, 238.1, 247, 248,
D14/250-253, 440, 447
CPC H04B 1/3888; H04M 1/0283; H04M 1/0202;
A45C 1/06; A45C 2011/002; A45C 11/00;
A45F 2005/028; A45F 2200/0525
See application file for complete search history.

8,616,422	B2 *	12/2013	Adelman	A45F 5/00 224/191
D701,211	S *	3/2014	Ng	D14/440
D709,486	S *	7/2014	Lin	D14/250
D711,362	S *	8/2014	Poon	D14/250
D712,387	S *	9/2014	Tompkin	D14/250
D716,280	S *	10/2014	Macrina	D14/250
D726,170	S *	4/2015	Ng	D14/250
D733,696	S *	7/2015	Burgett	D14/250
D737,262	S *	8/2015	Jia	D14/250
D755,764	S *	5/2016	Dong	D14/250
D761,780	S *	7/2016	Nguyen	D14/250
D763,853	S *	8/2016	Pearce	D14/440
D765,085	S *	8/2016	Moore	D14/440
D766,907	S *	9/2016	Veltz	D14/440
D769,233	S *	10/2016	Qian	D14/250
D769,855	S *	10/2016	Deng	D14/250
D778,275	S *	2/2017	Gabriel	D14/250
D780,166	S *	2/2017	Lin	D14/250

* cited by examiner

Primary Examiner — Susan E Krakower

Assistant Examiner — L. A. Grabenstetter

(74) *Attorney, Agent, or Firm* — Thomas I. Rozsa

(57) **CLAIM**

The ornamental design for a cell phone protector case, as shown and described.

DESCRIPTION

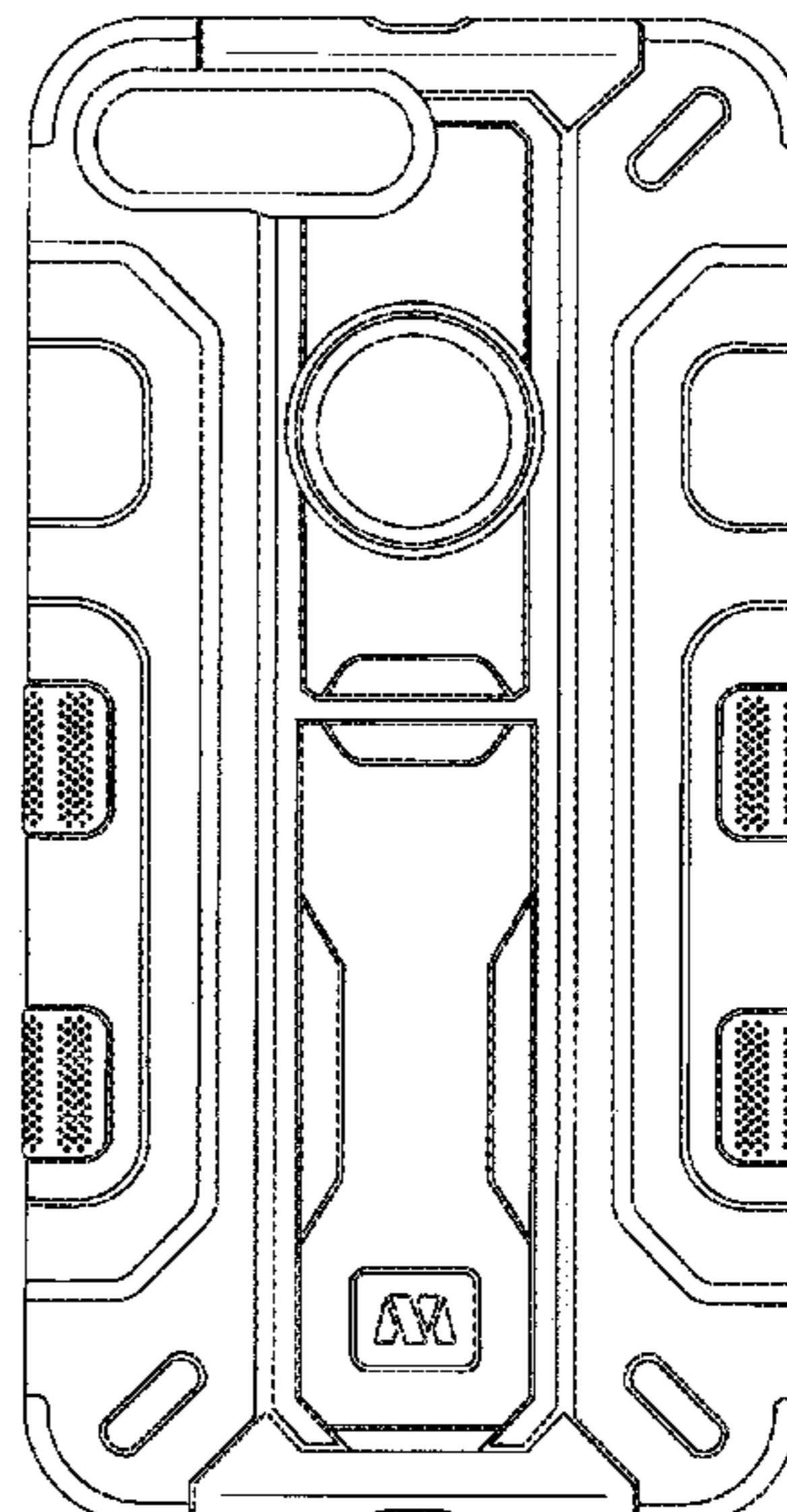
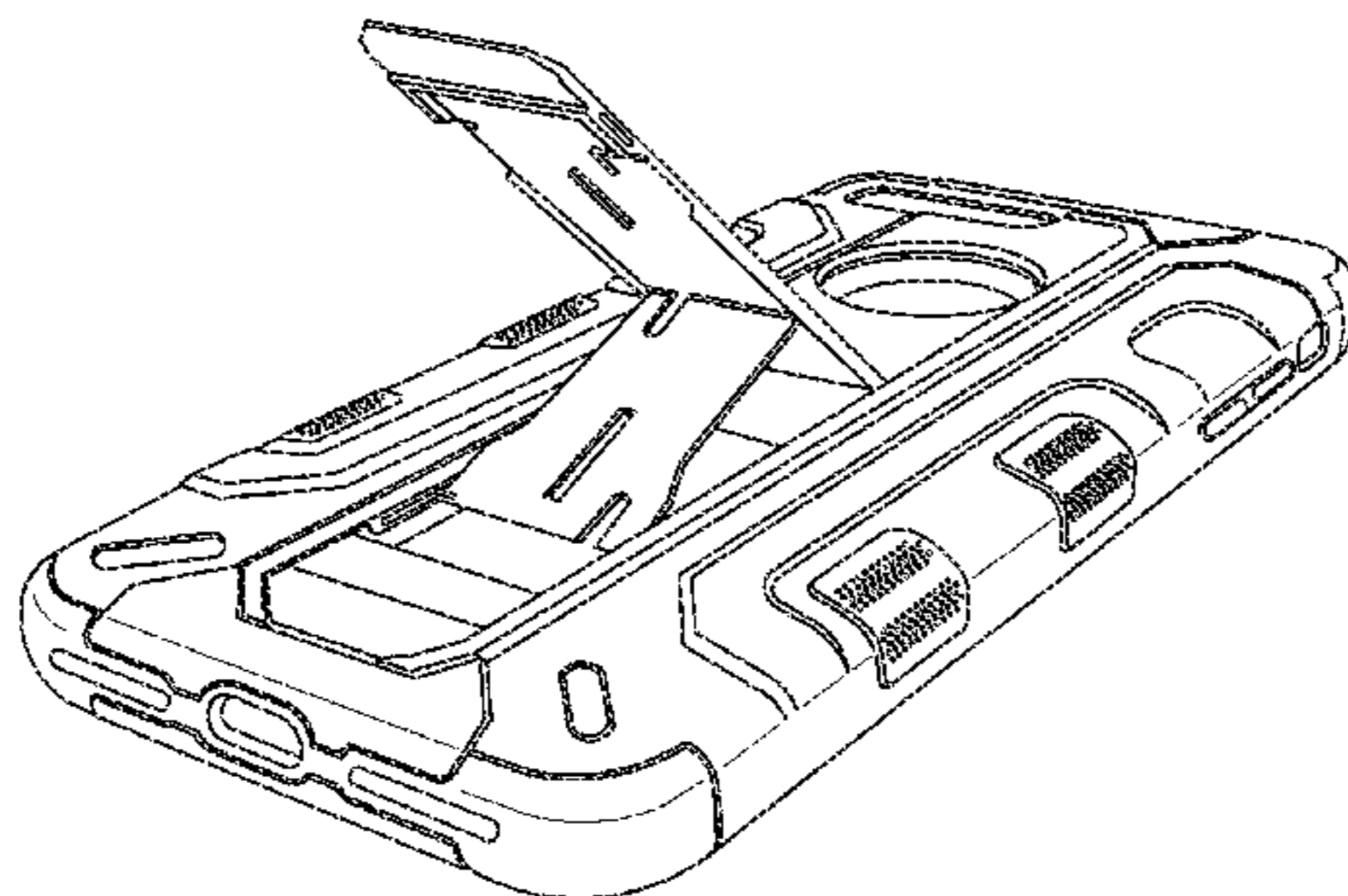
FIG. 1 is a rear side perspective view of a cell phone protector case, showing my new design;
 FIG. 2 is a rear elevational view thereof;
 FIG. 3 is a front elevational view thereof;
 FIG. 4 is a left side elevational view thereof;
 FIG. 5 is a right side elevational view thereof;
 FIG. 6 is a top plan view thereof; and,
 FIG. 7 is a bottom plan view thereof.
 The broken lines depict portions of the cell phone protector case that form no part of the claimed design.

1 Claim, 6 Drawing Sheets

(56) **References Cited**

U.S. PATENT DOCUMENTS

D656,494	S *	3/2012	Bau	D14/250
D663,294	S *	7/2012	Buxton	D14/250
D670,278	S *	11/2012	Hamann	D14/250
D670,279	S *	11/2012	Veltz	D14/250
D671,933	S *	12/2012	Rodgers	D14/250
D679,684	S *	4/2013	Baker	D14/250
8,584,847	B2 *	11/2013	Tages	G06F 1/1633 206/320



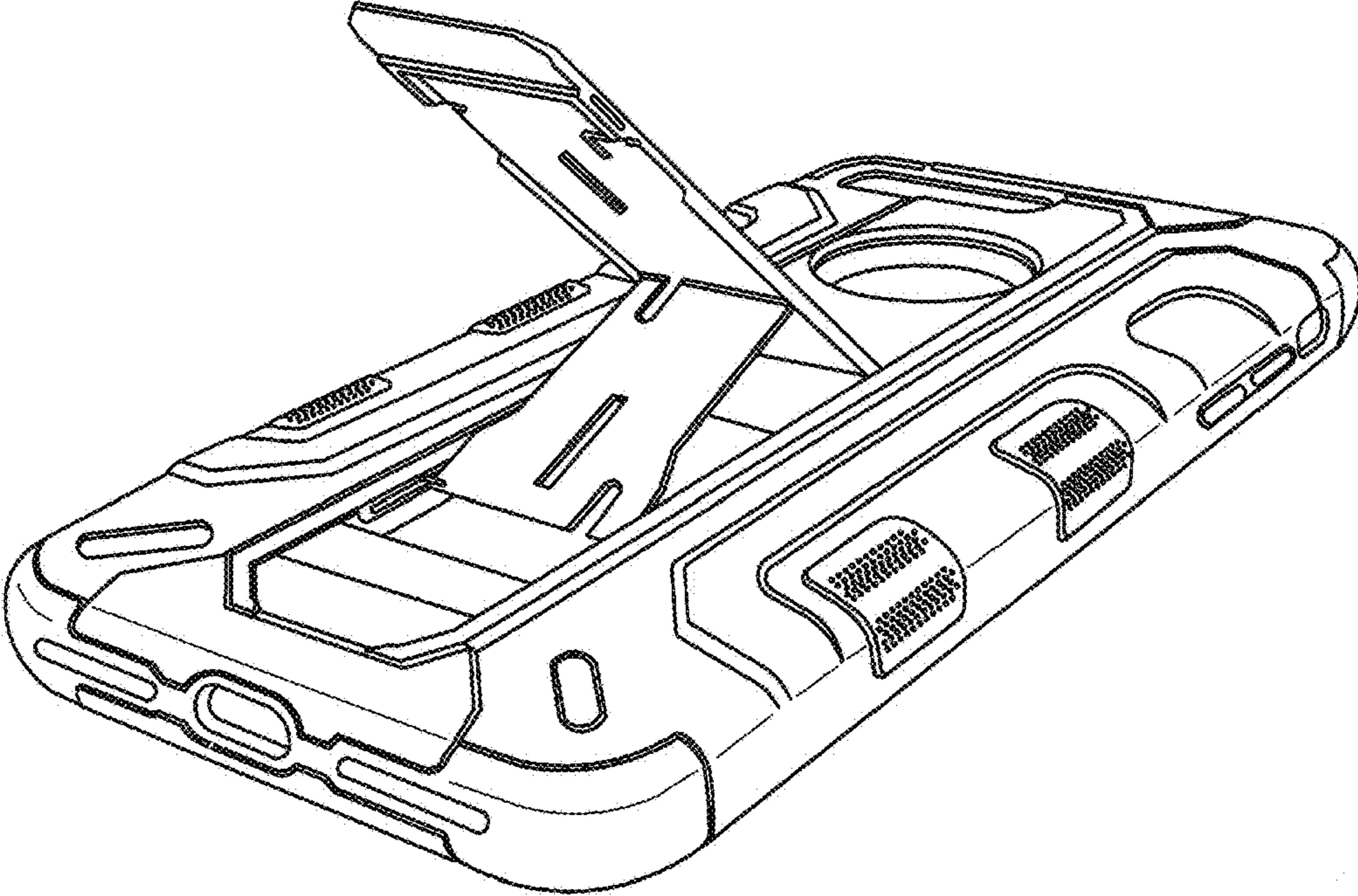


FIG. 1

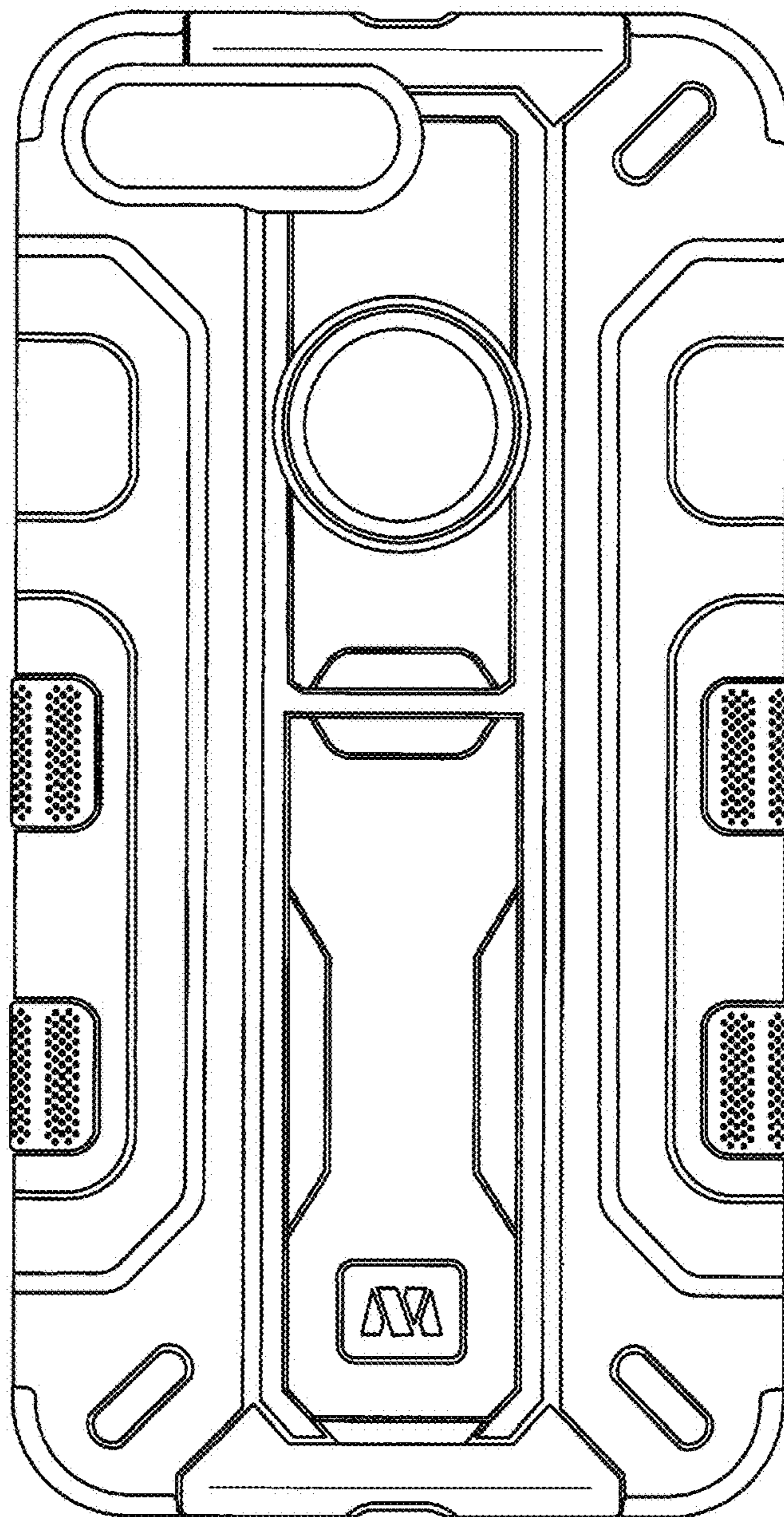


FIG. 2

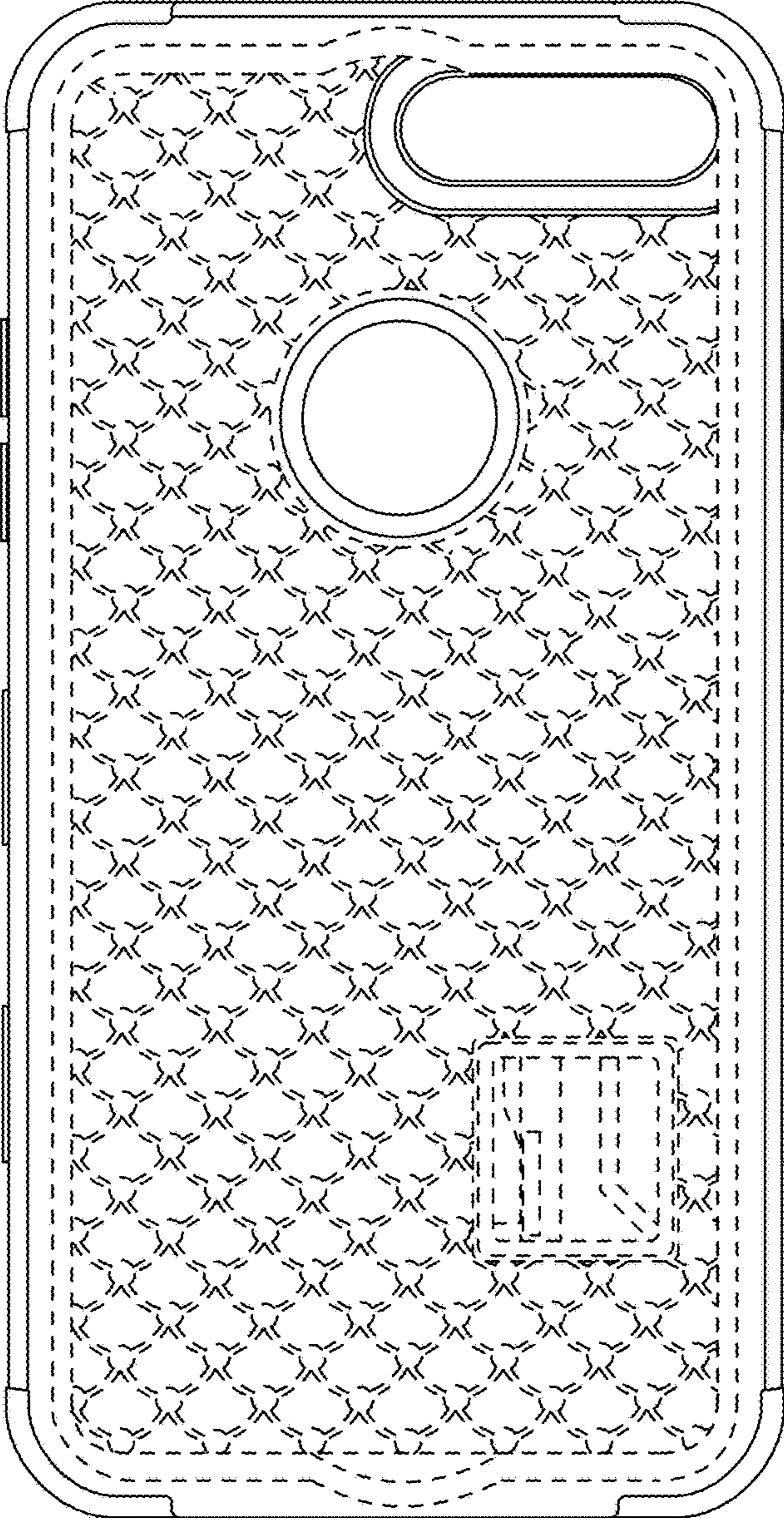


FIG. 3

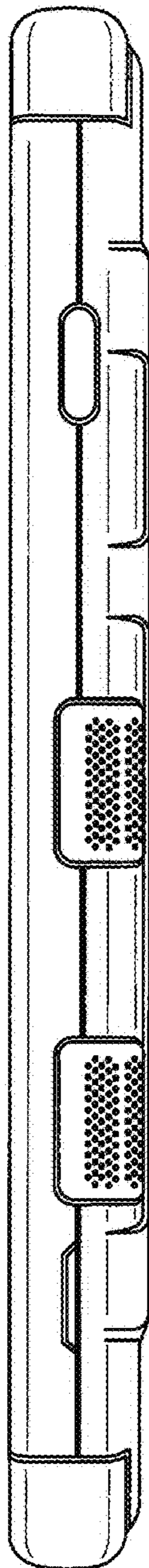


FIG. 4

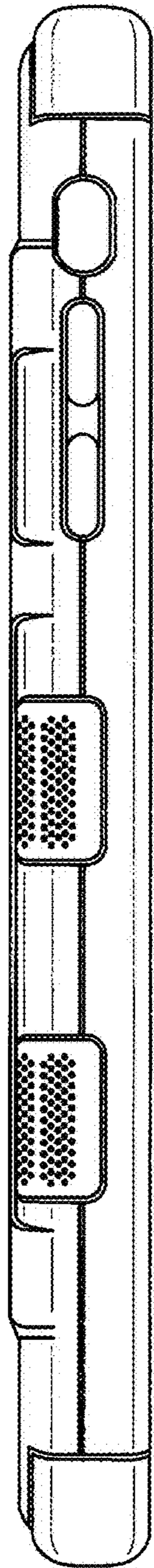


FIG. 5

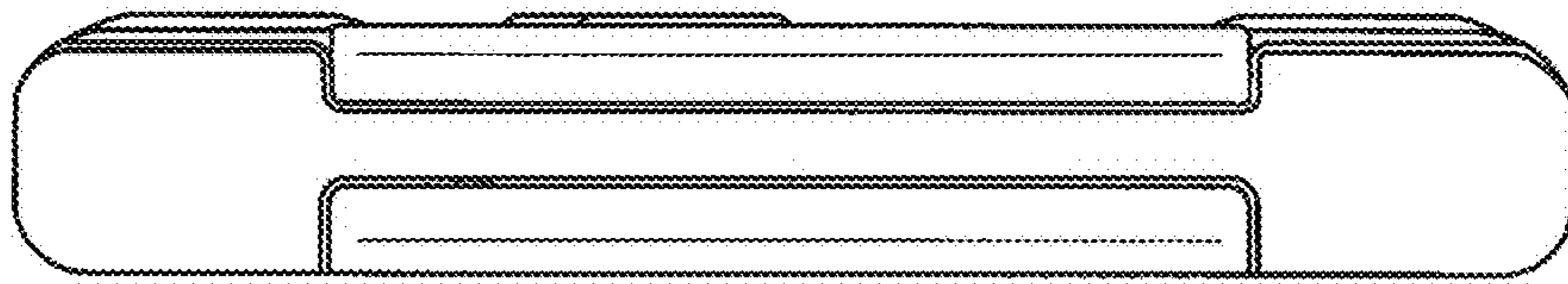


FIG. 6

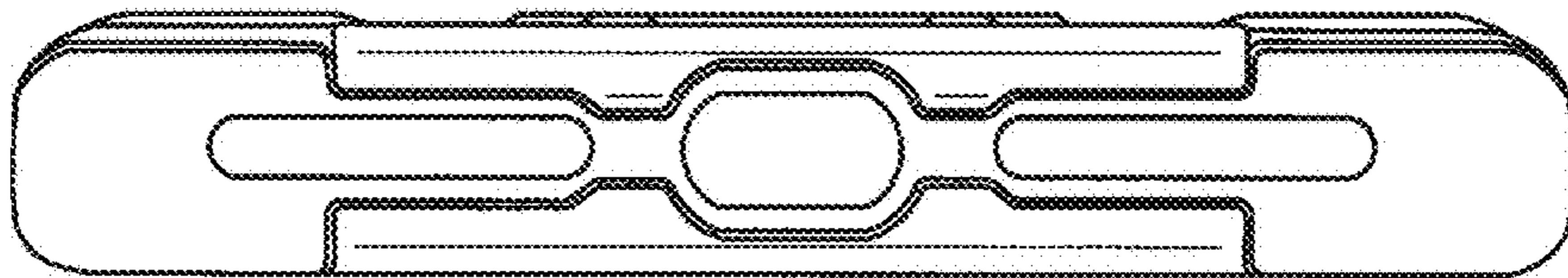


FIG. 7