

US00D862442S

(12) **United States Design Patent**  
**Wei et al.**

(10) **Patent No.:** **US D862,442 S**  
(45) **Date of Patent:** **\*\* Oct. 8, 2019**

(54) **COVER MODULE FOR ELECTRONIC DEVICE**

(71) Applicant: **HTC Corporation**, Taoyuan (TW)

(72) Inventors: **Chang-Hua Wei**, Taoyuan (TW);  
**Wei-Hsin Chang**, Taoyuan (TW);  
**Jen-Yang Chang**, Taoyuan (TW)

(73) Assignee: **HTC Corporation**, Taoyuan (TW)

(\*\*) Term: **15 Years**

(21) Appl. No.: **29/598,485**

(22) Filed: **Mar. 27, 2017**

(51) **LOC (12) Cl.** ..... **14-03**

(52) **U.S. Cl.**  
USPC ..... **D14/250; D16/309**

(58) **Field of Classification Search**  
USPC ..... D3/201, 218, 232, 233, 239, 242,  
D3/245–247, 250, 251, 269, 273, 301,  
D3/303; D13/103, 107, 108, 119;  
D14/137, 138 R, 138 AA, 138 C, 138 G,  
D14/172, 203.3–203.7, 217, 204, 209.1,  
D14/215, 218, 221, 238.1, 247, 248, 250,  
D14/251–253, 372, 440, 496; D16/300,  
D16/309  
CPC ..... H04B 1/3888; H04M 1/0283; H04M  
1/0202; A45C 1/06; A45C 2011/002;  
A45C 23/02; A45C 11/00; A45F  
2005/028; A45F 2200/0525; A45F  
2200/0518

See application file for complete search history.

(56) **References Cited**

**U.S. PATENT DOCUMENTS**

768,276 A \* 8/1904 Fox ..... A42B 1/247  
2/10  
D317,404 S \* 6/1991 Schuster ..... D16/302  
D431,042 S \* 9/2000 Lin ..... D16/300  
D512,451 S \* 12/2005 Usui ..... D16/309

D656,929 S \* 4/2012 Hsiung ..... D14/250  
D682,260 S \* 5/2013 Tages ..... D14/250  
D691,992 S \* 10/2013 Murchison ..... D14/250  
D692,434 S \* 10/2013 Kim ..... D14/440  
D692,826 S \* 11/2013 Aida ..... D13/108

(Continued)

**FOREIGN PATENT DOCUMENTS**

KR 30-0858599 S 6/2016  
KR 30-0877881 S 10/2016  
TW D183617 S 6/2017

*Primary Examiner* — Susan E Krakower

*Assistant Examiner* — L. A. Grabenstetter

(74) *Attorney, Agent, or Firm* — Birch, Stewart, Kolasch  
& Birch, LLP

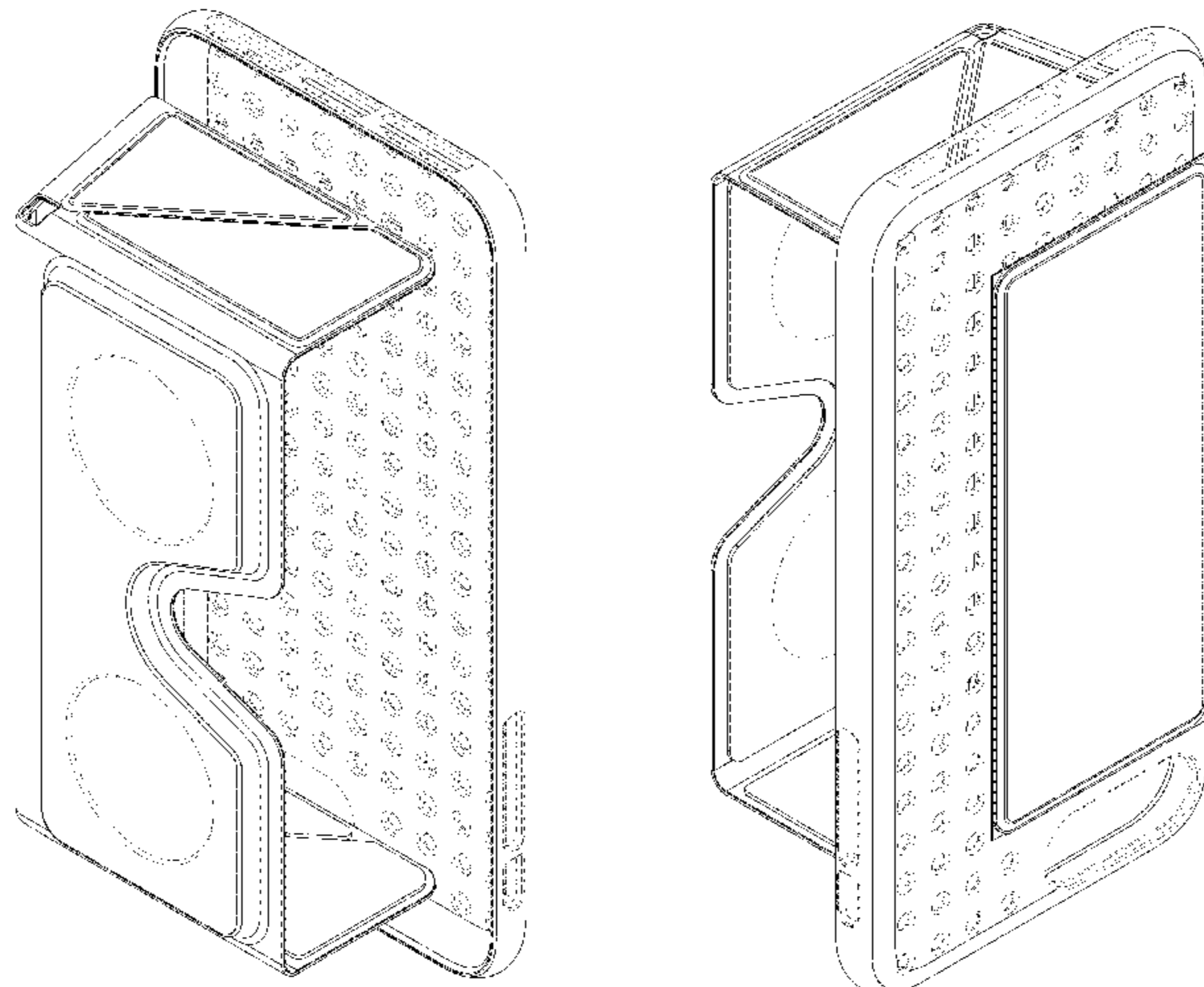
(57) **CLAIM**

The ornamental design for a cover module for electronic device, as shown and described.

**DESCRIPTION**

FIG. 1 is a front perspective view of a cover module for electronic device in accordance with our new design; FIG. 2 is a front view thereof; FIG. 3 is a rear view thereof; FIG. 4 is a left side view thereof; FIG. 5 is a right side view thereof; FIG. 6 is a top plan view thereof; FIG. 7 is a bottom plan view thereof; FIG. 8 is a rear perspective view thereof; FIG. 9 is another rear perspective view thereof with an electronic device accommodated therein; and, FIG. 10 is another front perspective view thereof with an electronic device accommodated therein. The broken lines representing lenses and perforations represent portions of the cover module for electronic device that form no part of the claimed design. The broken lines depicting an electronic device in FIGS. 9 and 10 represent environment that forms no part of the claimed design.

**1 Claim, 9 Drawing Sheets**



(56)

**References Cited**

U.S. PATENT DOCUMENTS

|           |      |         |              |            |
|-----------|------|---------|--------------|------------|
| 9,081,209 | B2 * | 7/2015  | Shalon ..... | G02C 5/128 |
| 9,140,909 | B2 * | 9/2015  | Daole .....  | A45C 11/00 |
| 9,167,060 | B2 * | 10/2015 | Cheng .....  | H04M 1/04  |
| D752,570  | S *  | 3/2016  | Akana .....  | D14/250    |
| D765,637  | S *  | 9/2016  | Lay .....    | D14/250    |
| 9,498,032 | B2 * | 11/2016 | Wu .....     | A45C 11/00 |

\* cited by examiner

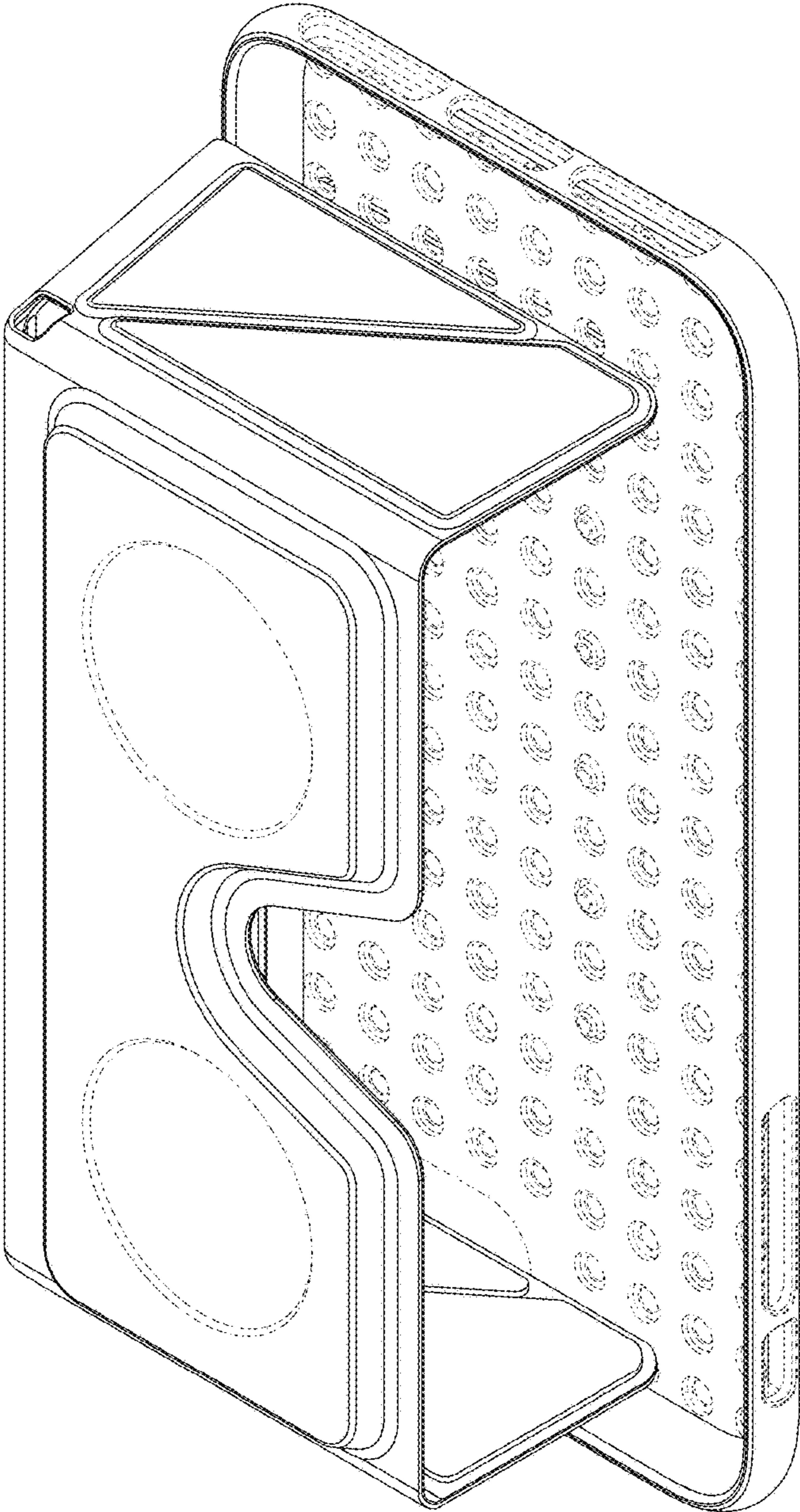


FIG. 1



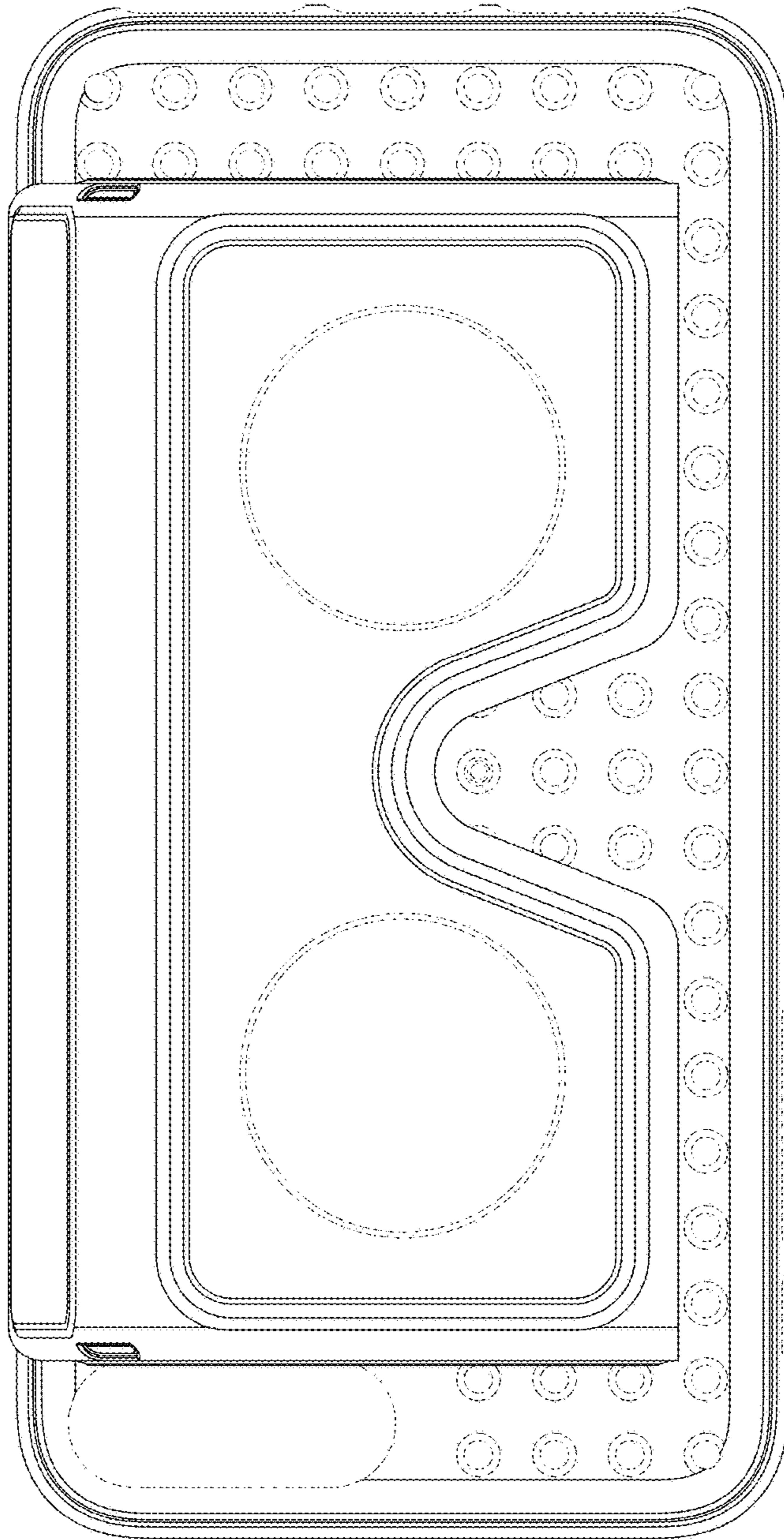


FIG. 2

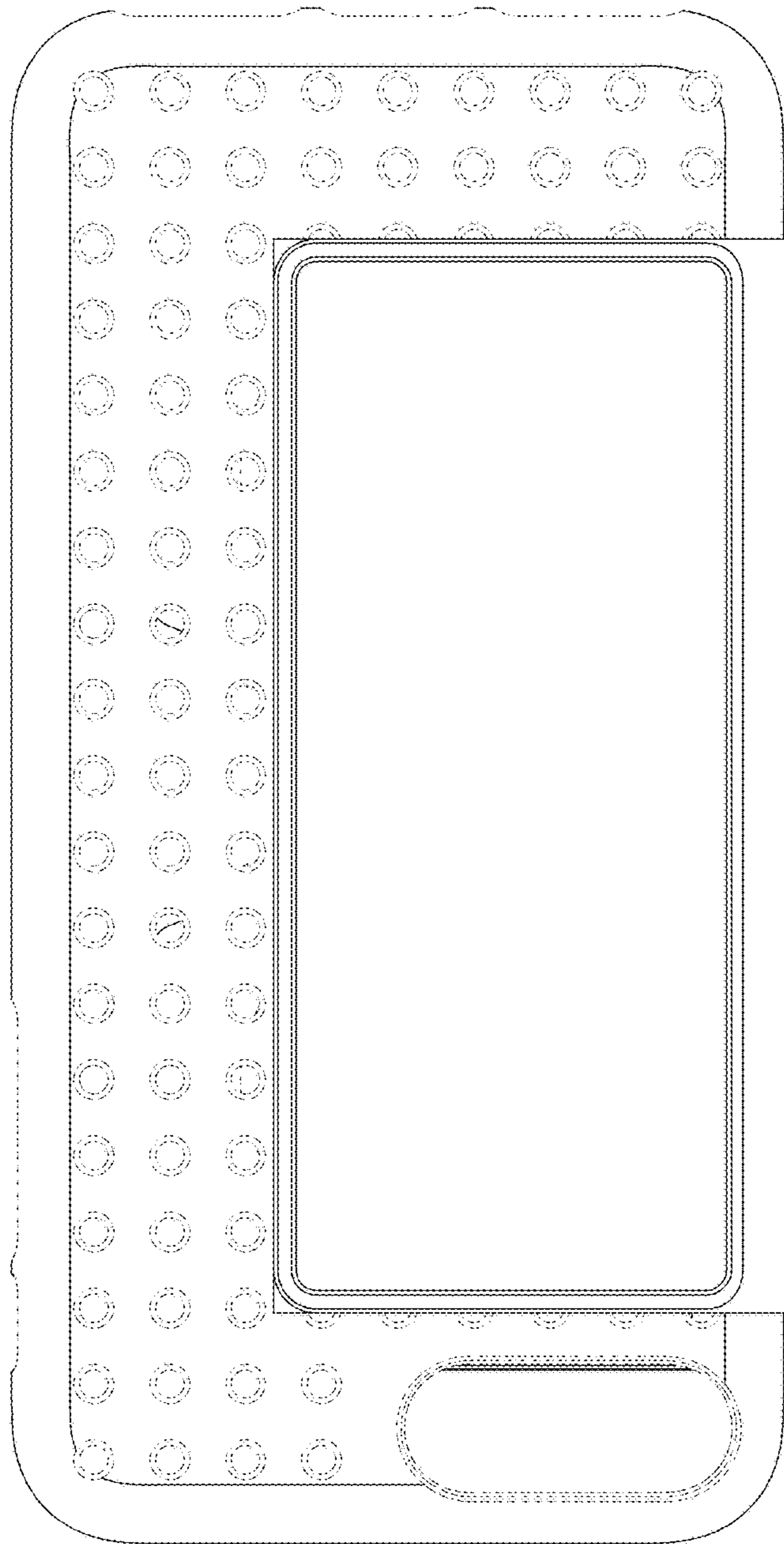


FIG. 3

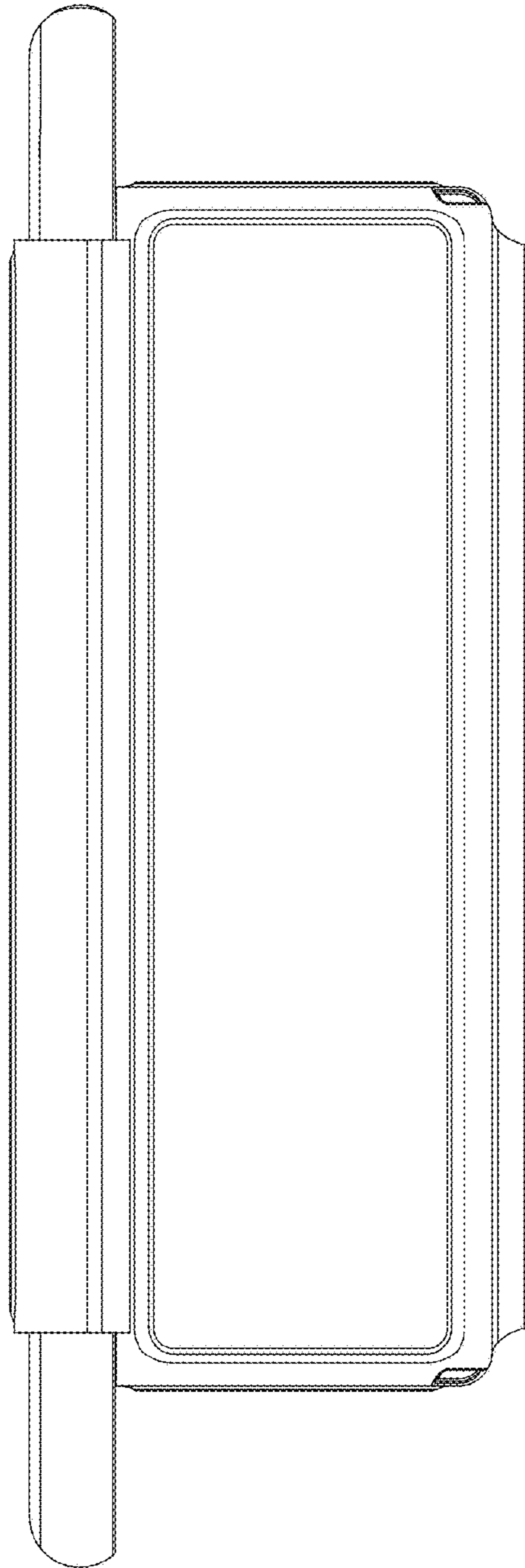


FIG. 4

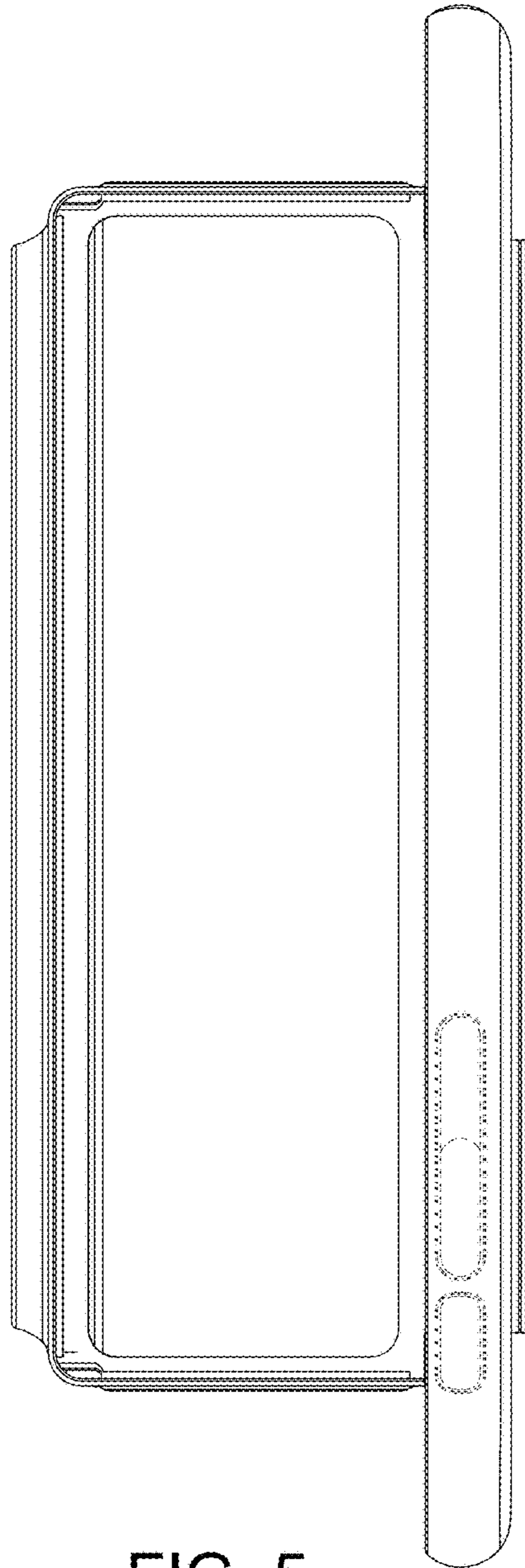


FIG. 5

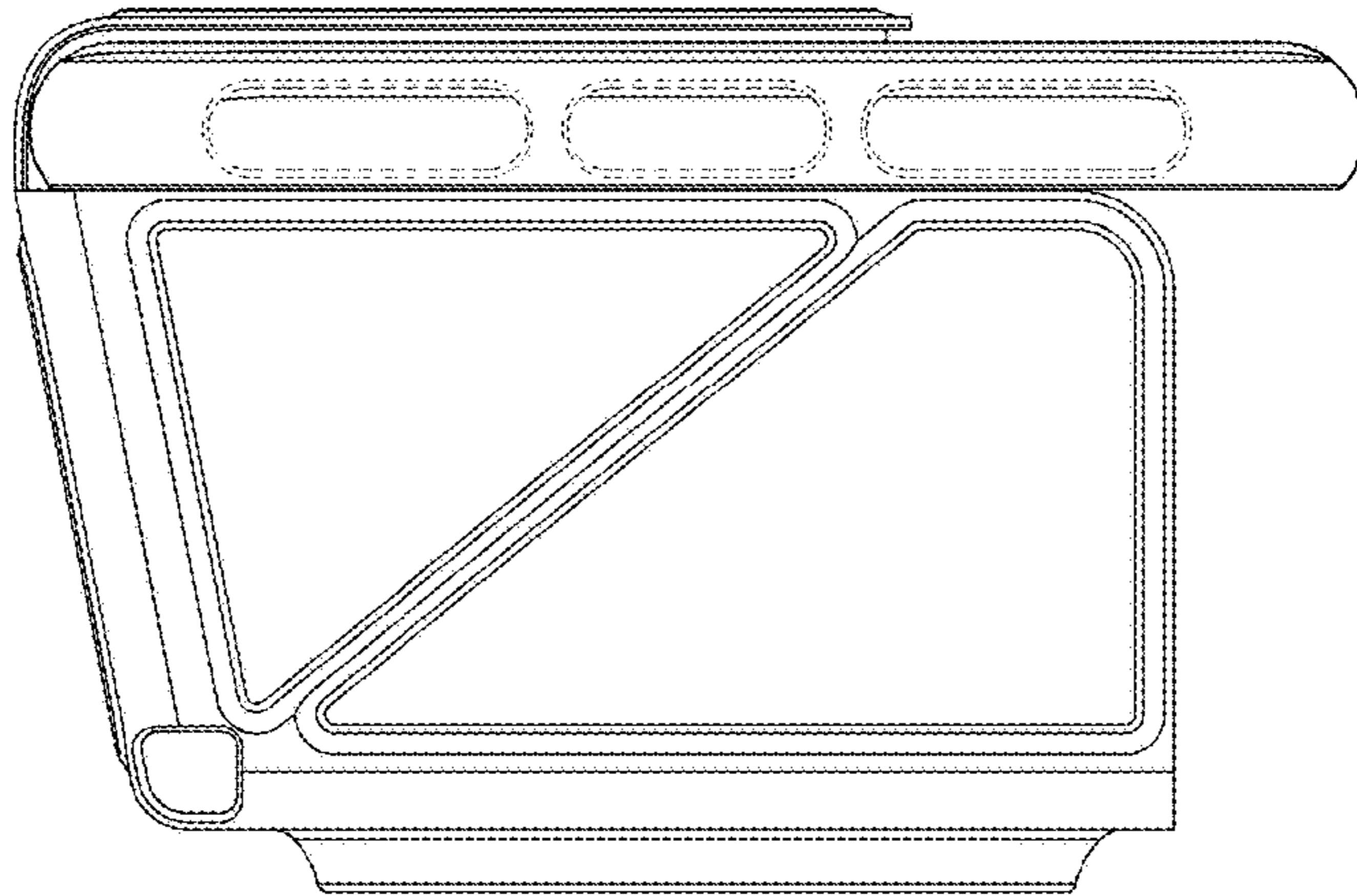


FIG. 6

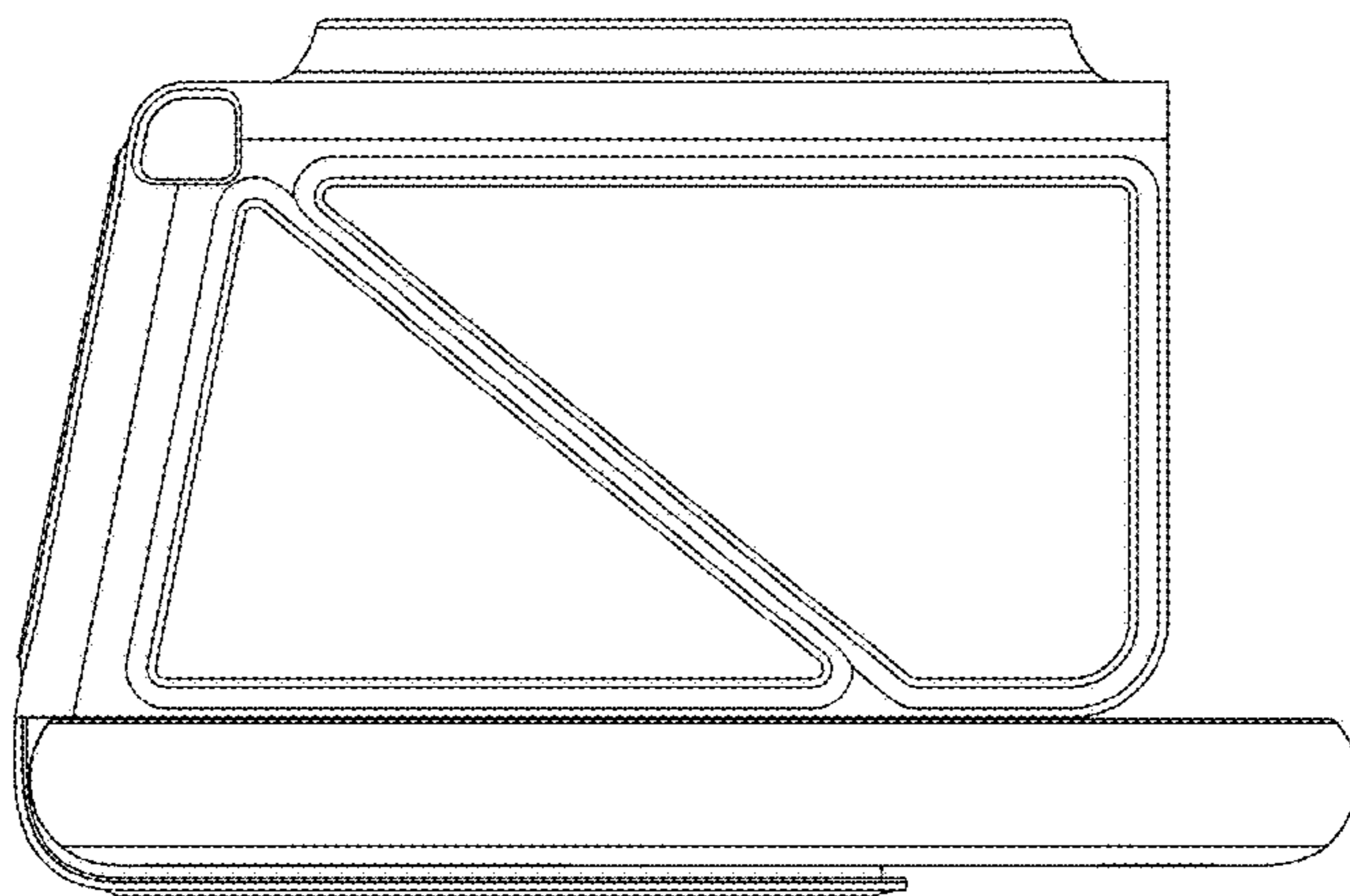


FIG. 7



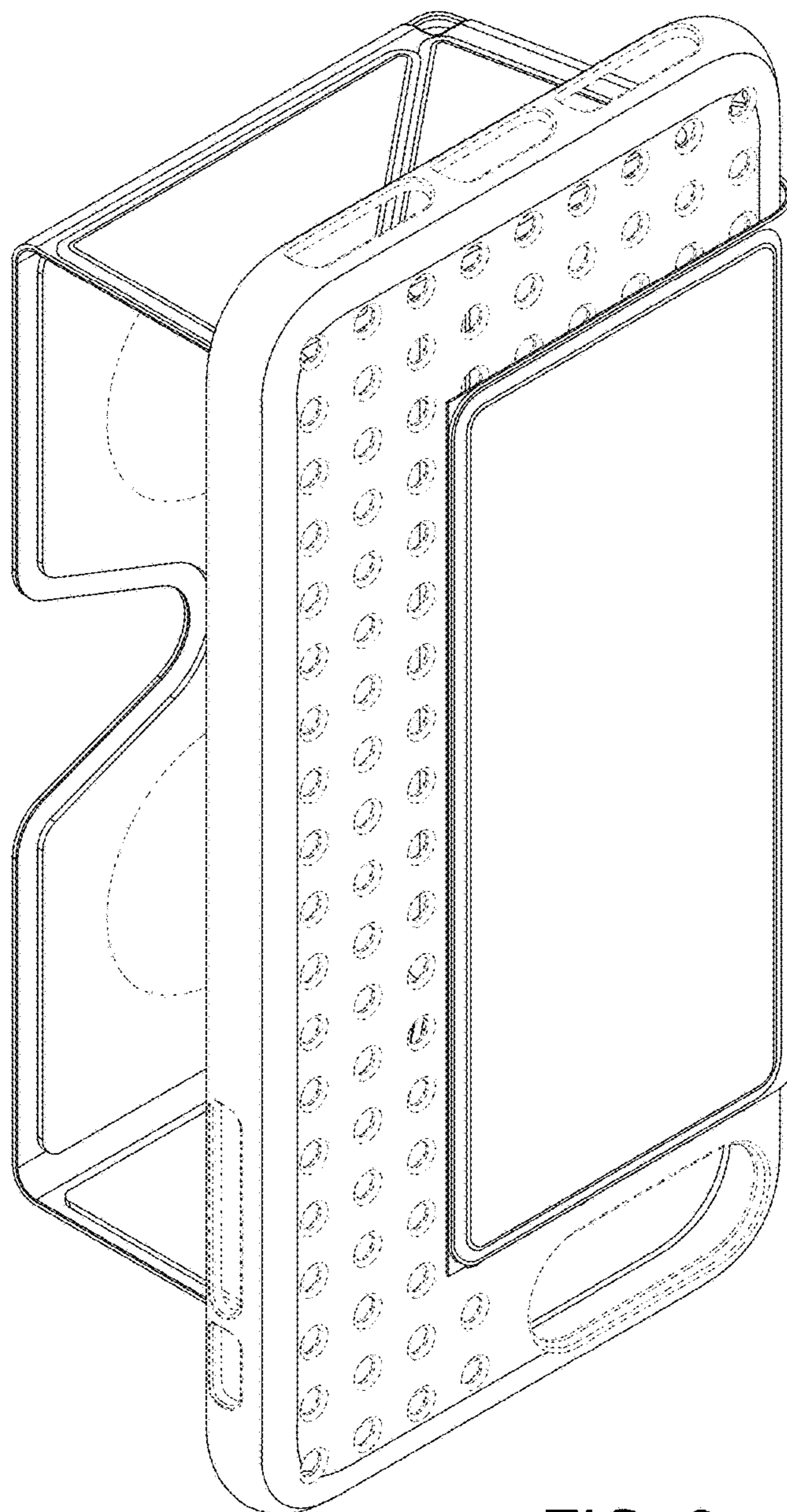


FIG. 8

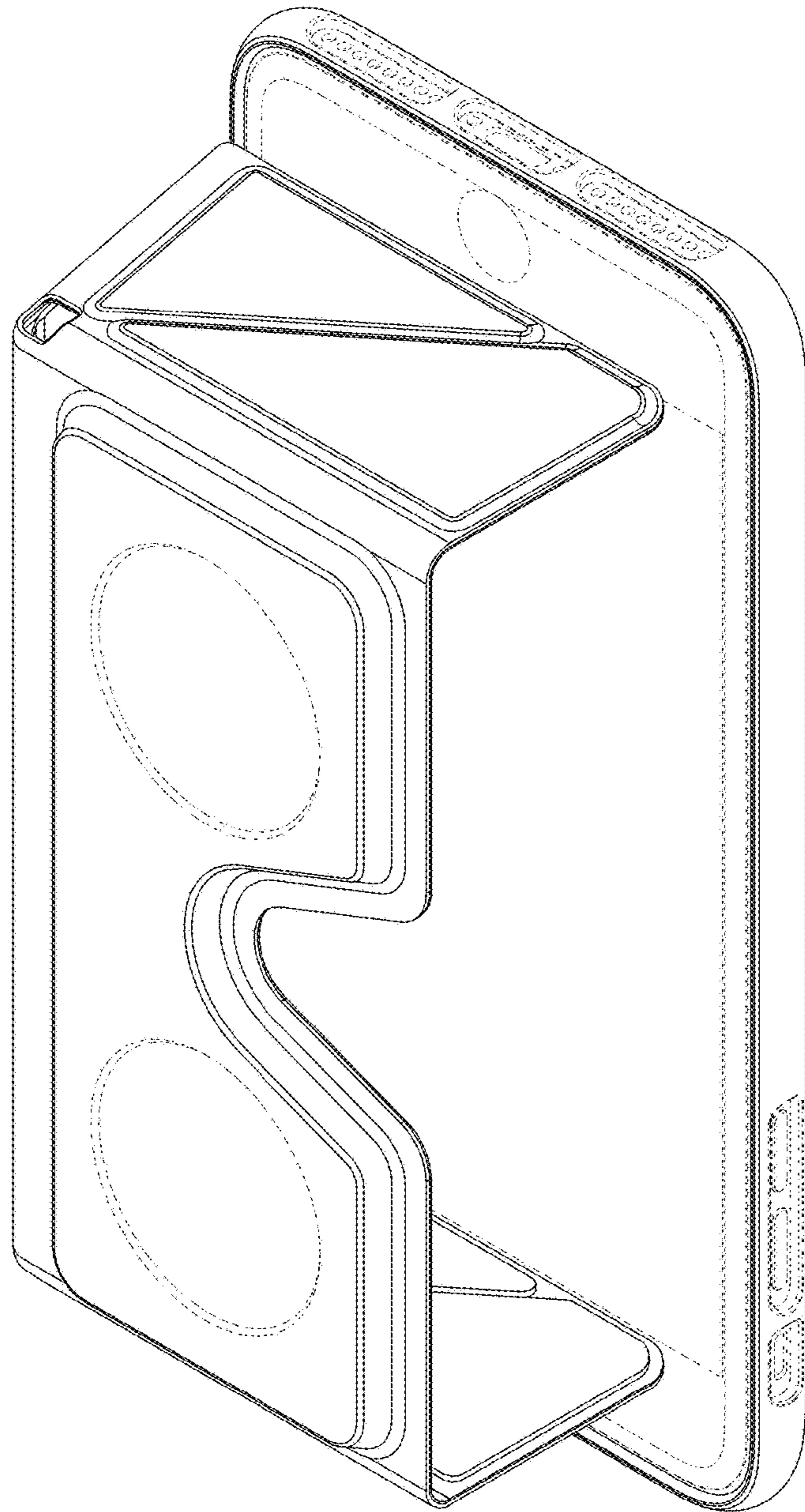


FIG. 9

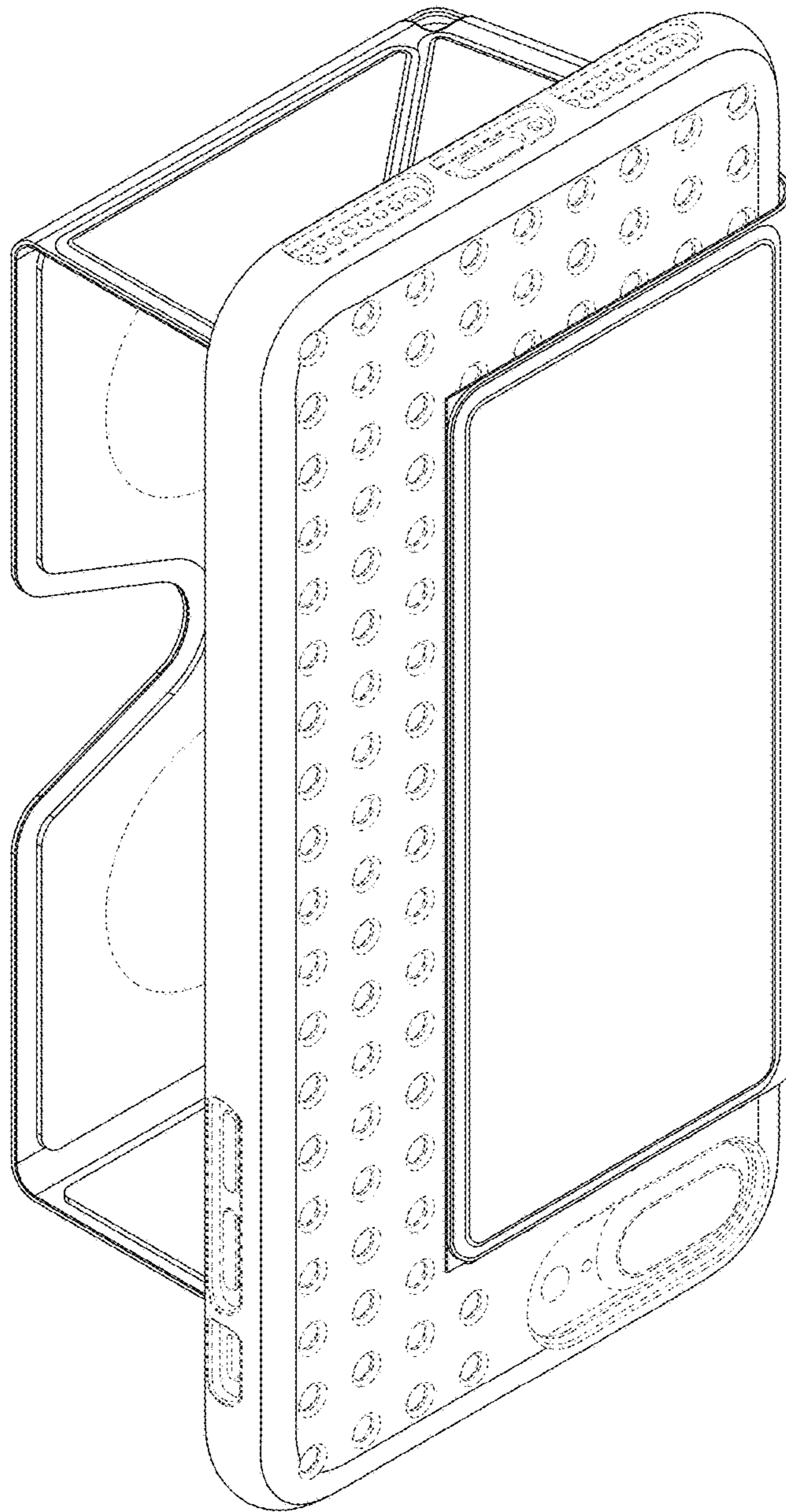


FIG. 10