

US00D862437S

(12) **United States Design Patent**  
**Lee**

(10) **Patent No.:** **US D862,437 S**

(45) **Date of Patent:** **\*\* Oct. 8, 2019**

(54) **WIRELESS ROUTER**

(71) Applicant: **Winstars Technology Limited,**  
Shenzhen (CN)

(72) Inventor: **John Lee,** Shenzhen (CN)

(\*\*) Term: **15 Years**

(21) Appl. No.: **29/653,045**

(22) Filed: **Jun. 12, 2018**

(51) **LOC (12) Cl.** ..... **14-03**

(52) **U.S. Cl.**  
USPC ..... **D14/242**

(58) **Field of Classification Search**  
USPC ..... D14/240, 242, 357, 358, 125, 126,  
D14/140-140.9, 348, 349, 351, 354, 355  
CPC ..... H04L 12/00; H03K 17/00; H04W 88/00;  
H04W 88/005; H04W 88/02; H04W  
88/08; H04W 88/085; H04W 88/10;  
H04W 88/12; H04W 88/14; H04B 1/38  
See application file for complete search history.

(56) **References Cited**

**U.S. PATENT DOCUMENTS**

D452,233 S \* 12/2001 Kubik ..... D14/242  
D463,417 S \* 9/2002 Chan ..... D14/242  
D523,014 S \* 6/2006 Liu ..... D14/240  
D525,240 S \* 7/2006 Hales ..... D14/240

D536,333 S \* 2/2007 McRae ..... D14/240  
D542,784 S \* 5/2007 Franck ..... D14/240  
D596,634 S \* 7/2009 Wong ..... D14/358  
D620,486 S \* 7/2010 Branch ..... D14/242  
D642,999 S \* 8/2011 Wan ..... D14/125  
D648,690 S \* 11/2011 Snodgrass ..... D14/125  
D829,719 S \* 10/2018 Shim ..... D14/435  
D830,358 S \* 10/2018 Wietzke ..... D14/358  
2017/0303138 A1 \* 10/2017 Barmettler ..... H04W 16/18

\* cited by examiner

*Primary Examiner* — Bridget L Eland

(74) *Attorney, Agent, or Firm* — Yanling Jiang

(57) **CLAIM**

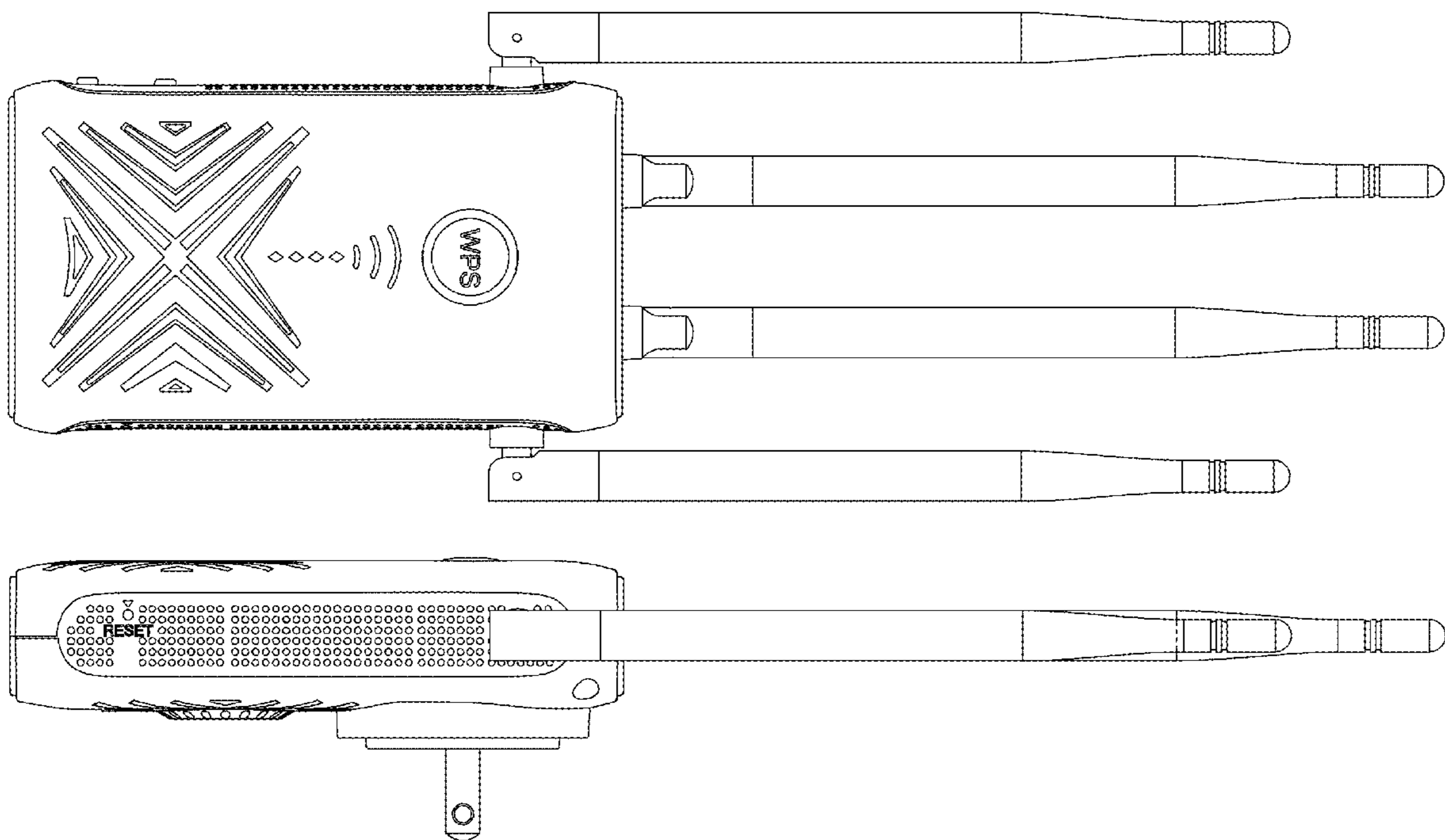
The ornamental design for wireless router, as shown and described.

**DESCRIPTION**

FIG. 1 is a front right perspective view of a wireless router, showing my new design;  
FIG. 2 is a front elevation view thereof;  
FIG. 3 is a rear elevation view thereof;  
FIG. 4 is a top plan view thereof;  
FIG. 5 is a bottom plan view thereof;  
FIG. 6 is a left side view thereof; and,  
FIG. 7 is a right side view thereof.

The broken lines shown in the views are included for the purpose of illustrating portions of the wireless router that form no part of the claimed design.

**1 Claim, 7 Drawing Sheets**



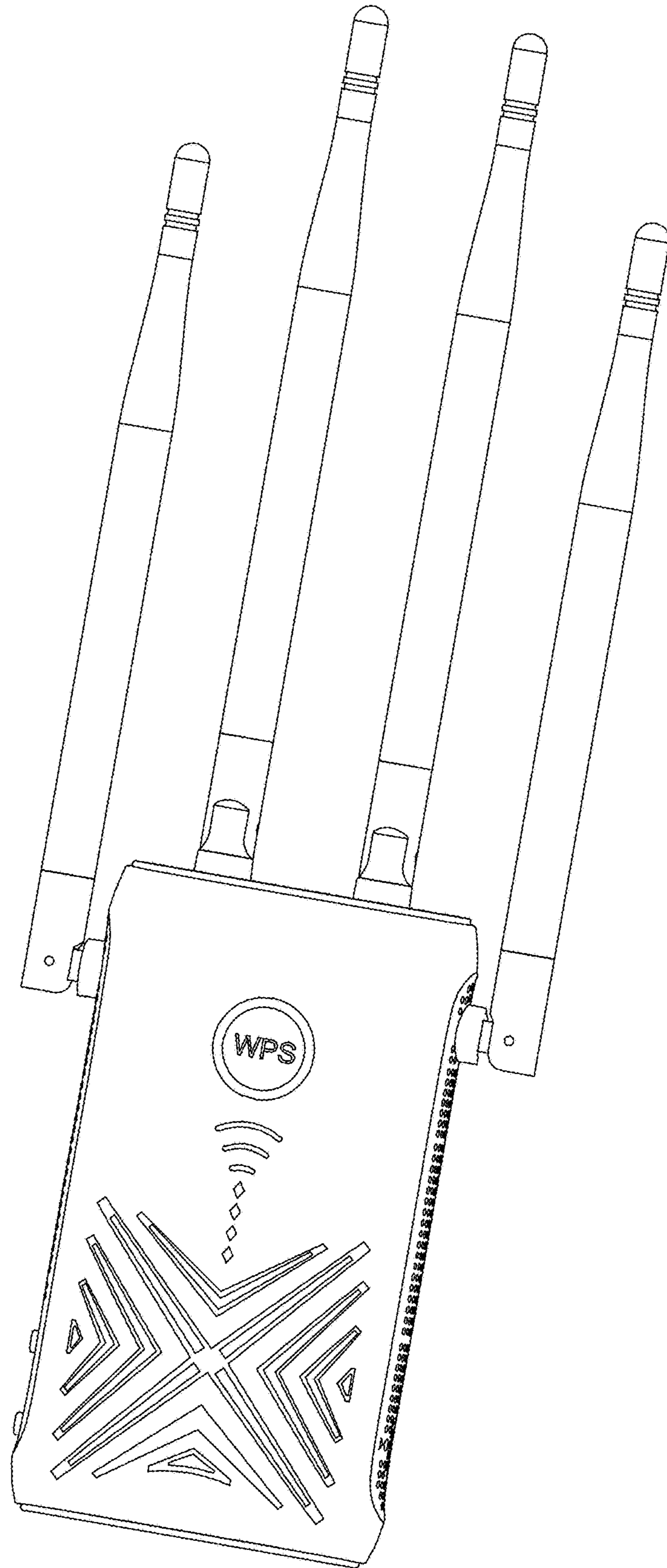


Fig. 1

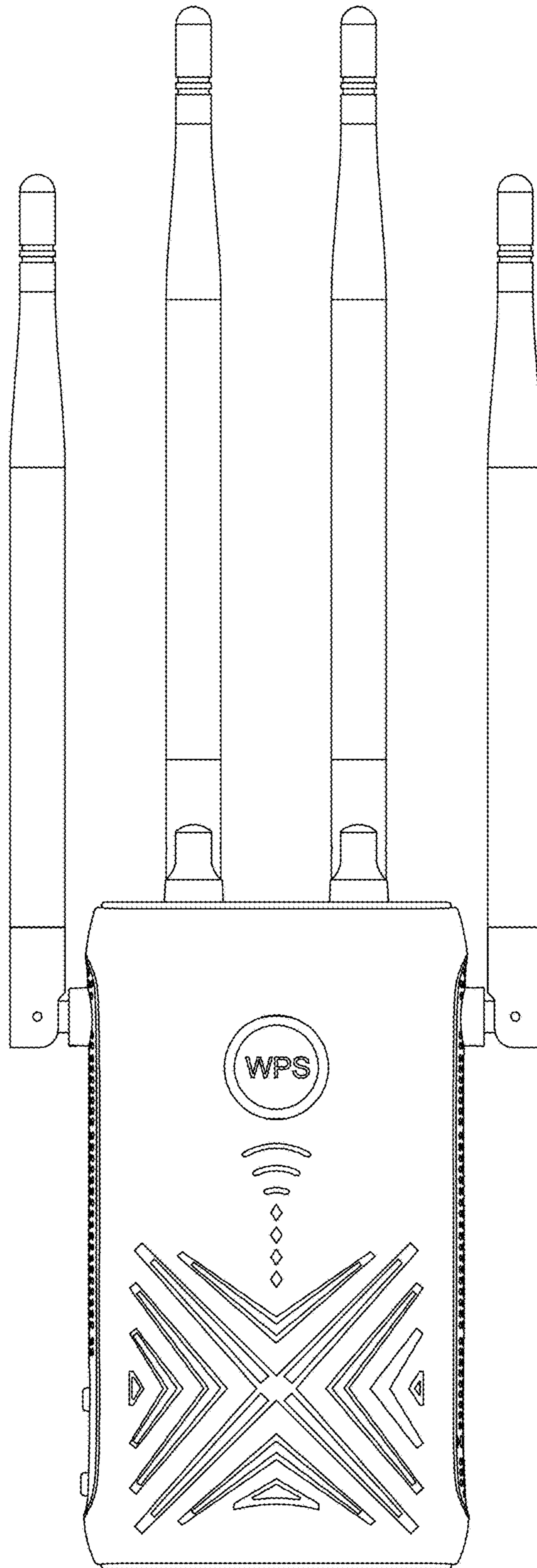


Fig. 2

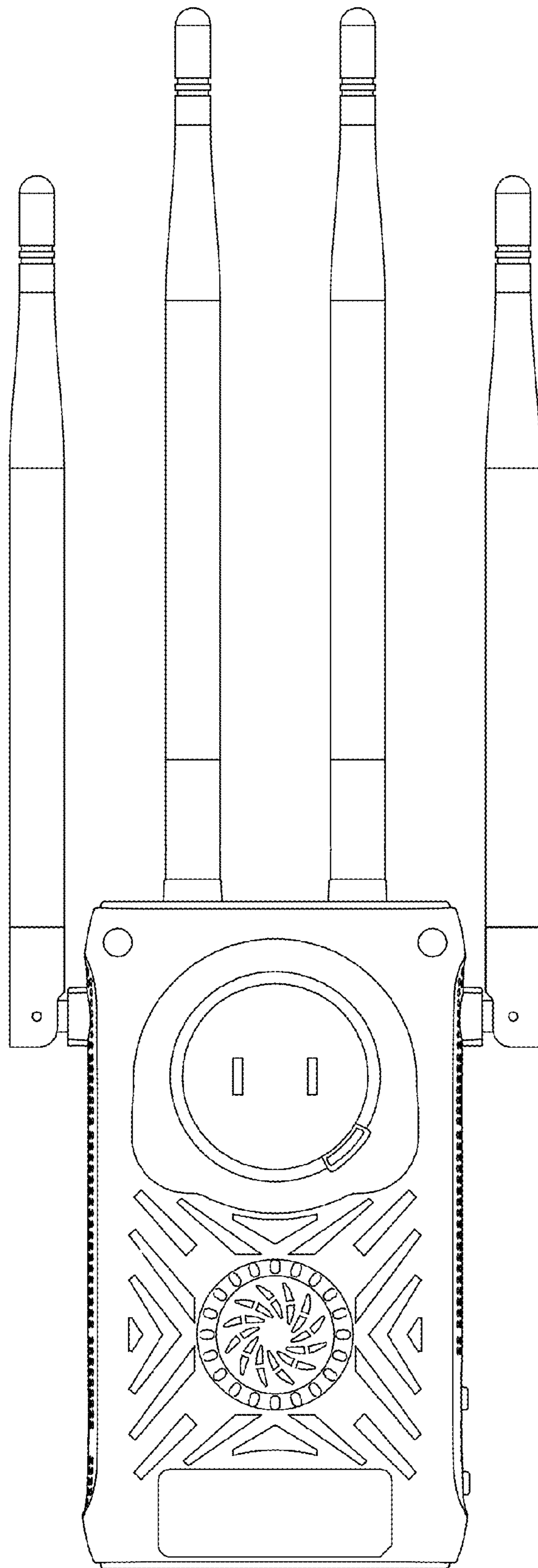


Fig. 3

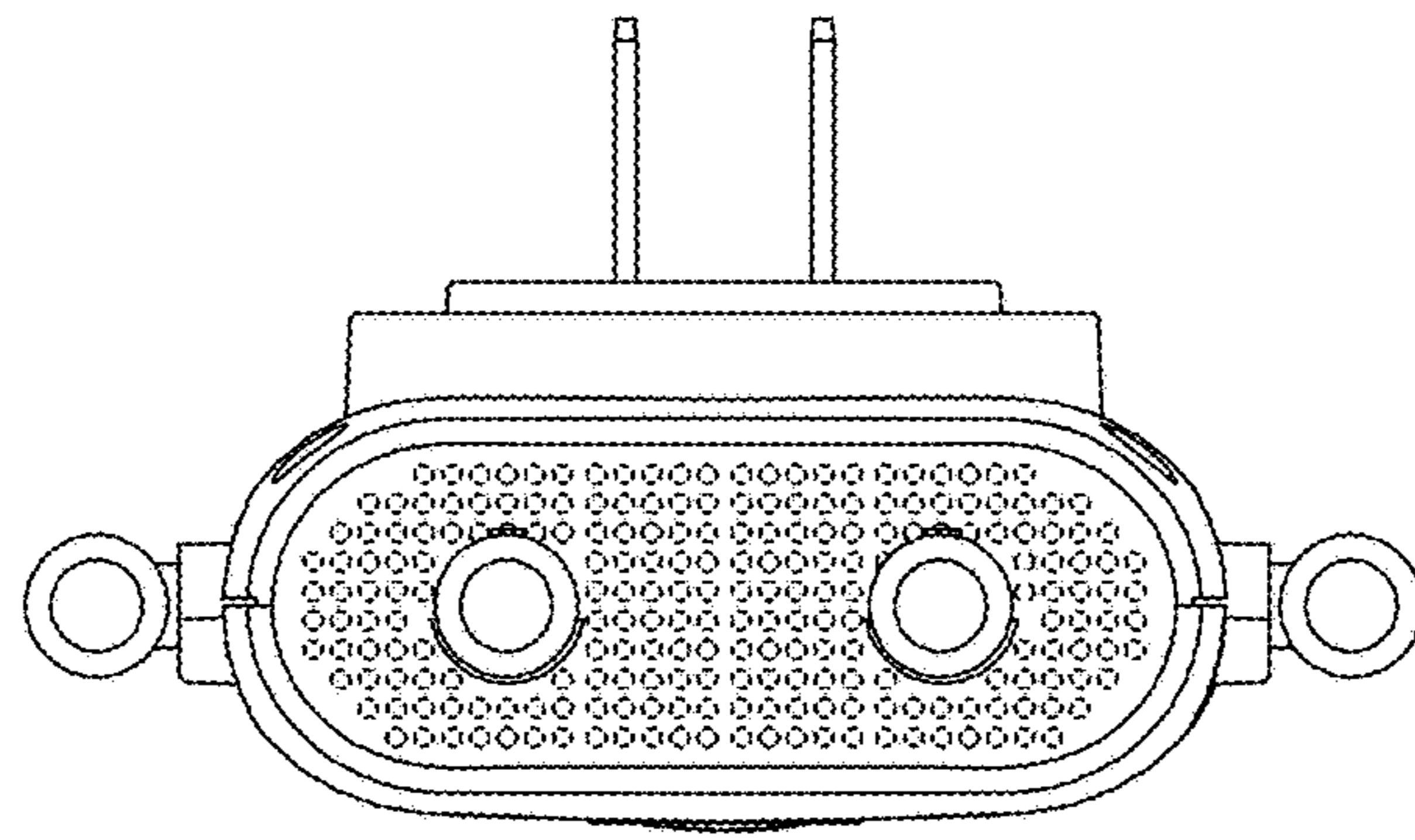


Fig. 4

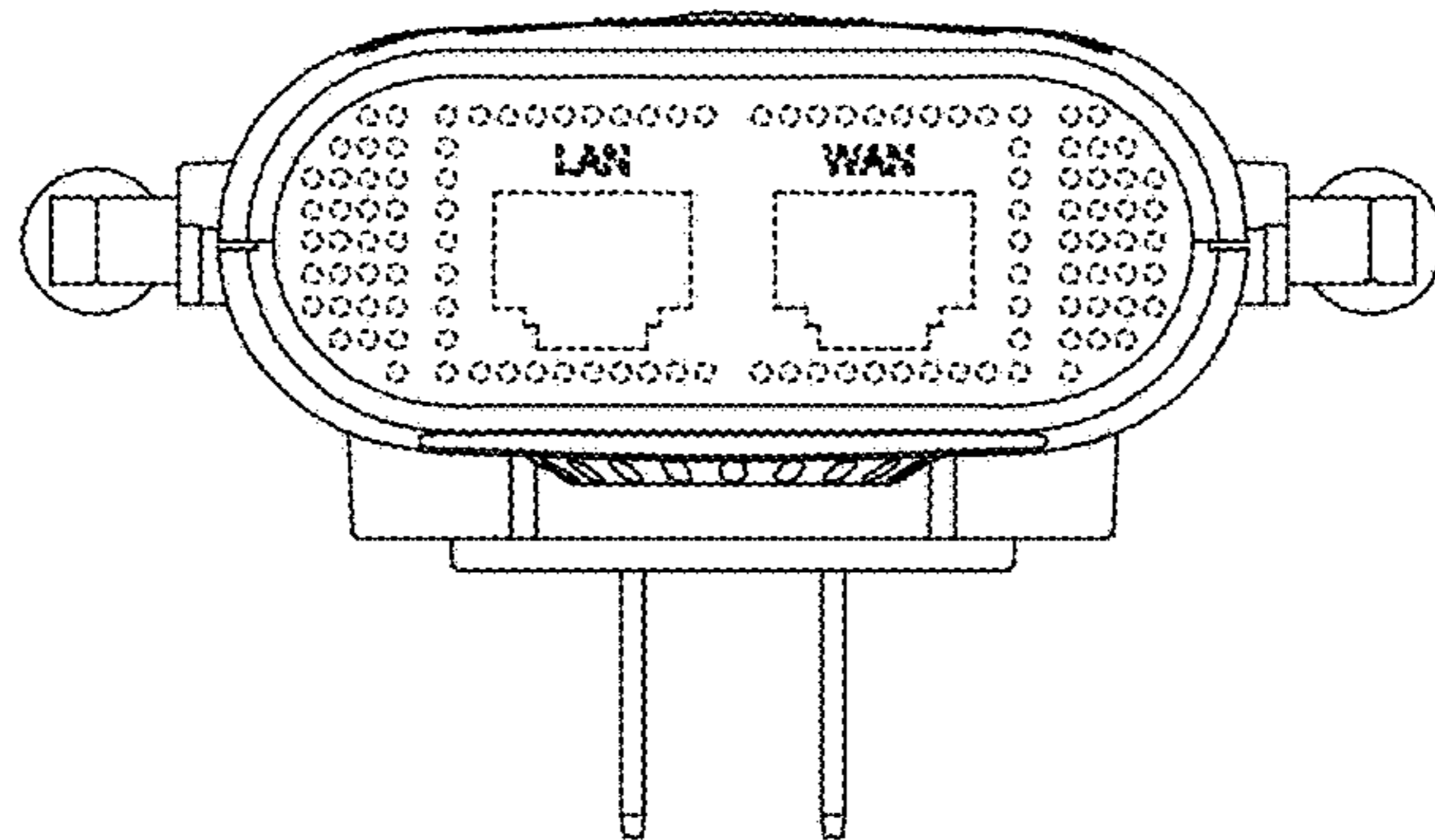


Fig. 5

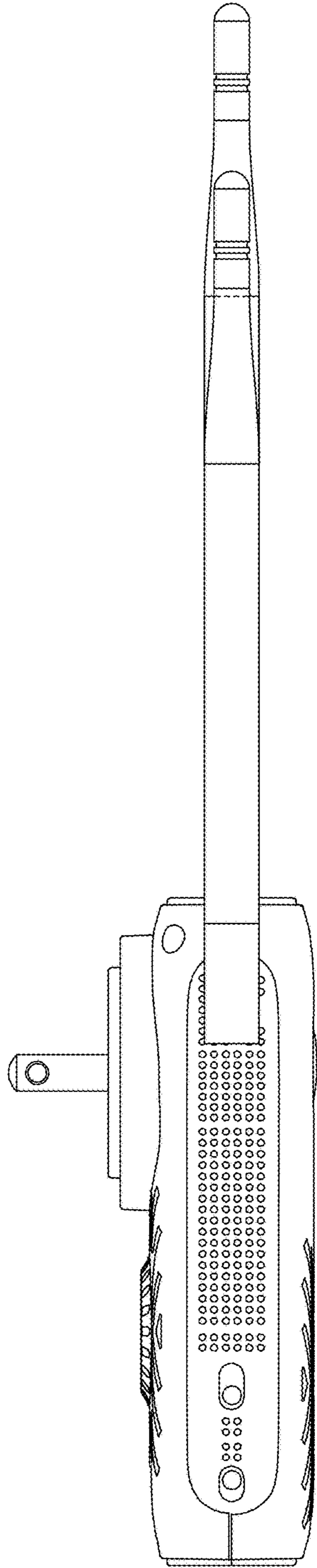


Fig. 6

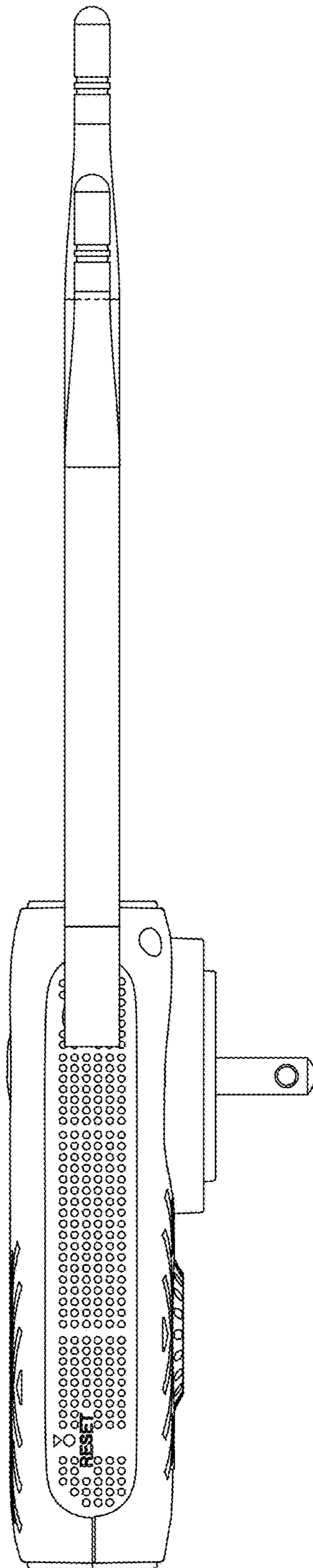


Fig. 7