

US00D862435S

(12) **United States Design Patent**
Kwak et al.

(10) **Patent No.:** **US D862,435 S**
(45) **Date of Patent:** **** Oct. 8, 2019**

(54) **CONNECTING DEVICE FOR WIRELESS COMMUNICATIONS**

(71) Applicant: **Samsung Electronics Co., Ltd.**,
Suwon-si (KR)

(72) Inventors: **Jihee Kwak**, Seoul (KR); **Jiyun Lim**,
Incheon (KR); **Jeonghan Song**, Seoul
(KR)

(73) Assignee: **SAMSUNG ELECTRONICS CO., LTD.**,
Gyeonggi-Do (KR)

(**) Term: **15 Years**

(21) Appl. No.: **29/624,643**

(22) Filed: **Nov. 2, 2017**

(30) **Foreign Application Priority Data**

May 19, 2017 (KR) 30-2017-0022773

(51) **LOC (12) Cl.** **14-03**

(52) **U.S. Cl.**
USPC **D14/240**

(58) **Field of Classification Search**
USPC D14/240, 242
See application file for complete search history.

(56) **References Cited**

U.S. PATENT DOCUMENTS

D284,368 S *	6/1986	Stansbury, Jr.	D14/141.1
D351,841 S *	10/1994	Blankenship	D14/242
D359,287 S *	6/1995	Heberling	D14/242
D377,652 S *	1/1997	Sarkiniemi	D13/184
D384,672 S *	10/1997	Heberling	D14/242
D385,559 S *	10/1997	Conrado	D14/137
D392,644 S *	3/1998	McGugan	D13/184
D407,708 S *	4/1999	Nagele	D13/103
D422,999 S *	4/2000	Overton	D14/137

D429,238 S *	8/2000	Kolinen	D14/240
D463,417 S *	9/2002	Chan	D14/242
D501,643 S *	2/2005	Strand	D10/104.1
D567,808 S *	4/2008	Kanne	D14/240
D615,033 S *	5/2010	Baker	D13/107
D628,573 S *	12/2010	Wang	D14/356

(Continued)

FOREIGN PATENT DOCUMENTS

KR	300999625.0000	*	3/2019
KR	300999626.0000	*	3/2019

Primary Examiner — Bridget L Eland

(74) *Attorney, Agent, or Firm* — Cantor Colburn LLP

(57) **CLAIM**

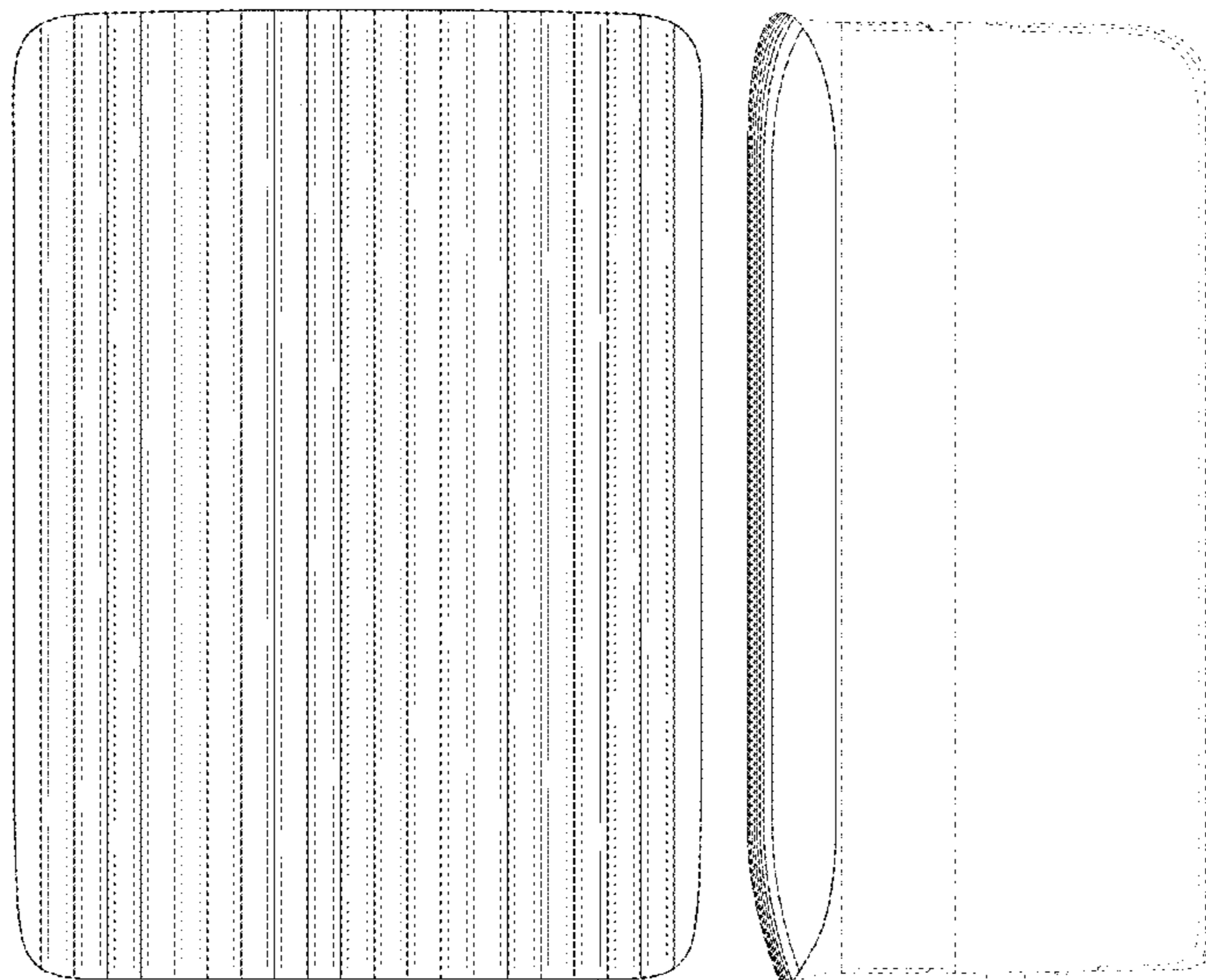
The ornamental design for a connecting device for wireless communications, as shown and described.

DESCRIPTION

FIG. 1 is a front perspective view of a connecting device for wireless communications, showing our new design; FIG. 2 is a front view thereof; FIG. 3 is a rear view thereof; FIG. 4 is a left-side view thereof; FIG. 5 is a right-side view thereof; FIG. 6 is a top view thereof; FIG. 7 is a bottom view thereof; and, FIG. 8 is a partially enlarged left-side view of the portion, '15' in FIG. 4.

The broken lines showing the remainder of the device are directed to environment and are for illustrative purposes only and the dot-dash lines in FIGS. 4 and 8 are used to identify the portion of the device in the partially enlarged FIG. 8 view for reference purpose only; the broken lines form no part of the claimed design. In addition, the unshaded surfaces between the solid line edges and broken lines in FIGS. 1 and 3-7 form no part of the claimed design.

1 Claim, 7 Drawing Sheets



(56)

References Cited

U.S. PATENT DOCUMENTS

D662,472	S *	6/2012	Tien	D13/110
D697,501	S *	1/2014	Fargeau	D14/240
D734,250	S *	7/2015	Rennick	D13/107
D736,193	S *	8/2015	Kwak	D14/240
D784,969	S *	4/2017	MacManus	D14/240
D789,338	S *	6/2017	Moon	D14/240
D813,212	S *	3/2018	Nangeroni	D14/240
D832,253	S *	10/2018	Delibie	D14/358
2017/0111076	A1 *	4/2017	Choi	H04M 1/185
2017/0111485	A1 *	4/2017	Kim	H04M 1/0237
2017/0324302	A1 *	11/2017	Jorgensen	H02K 7/063

* cited by examiner

FIG.1

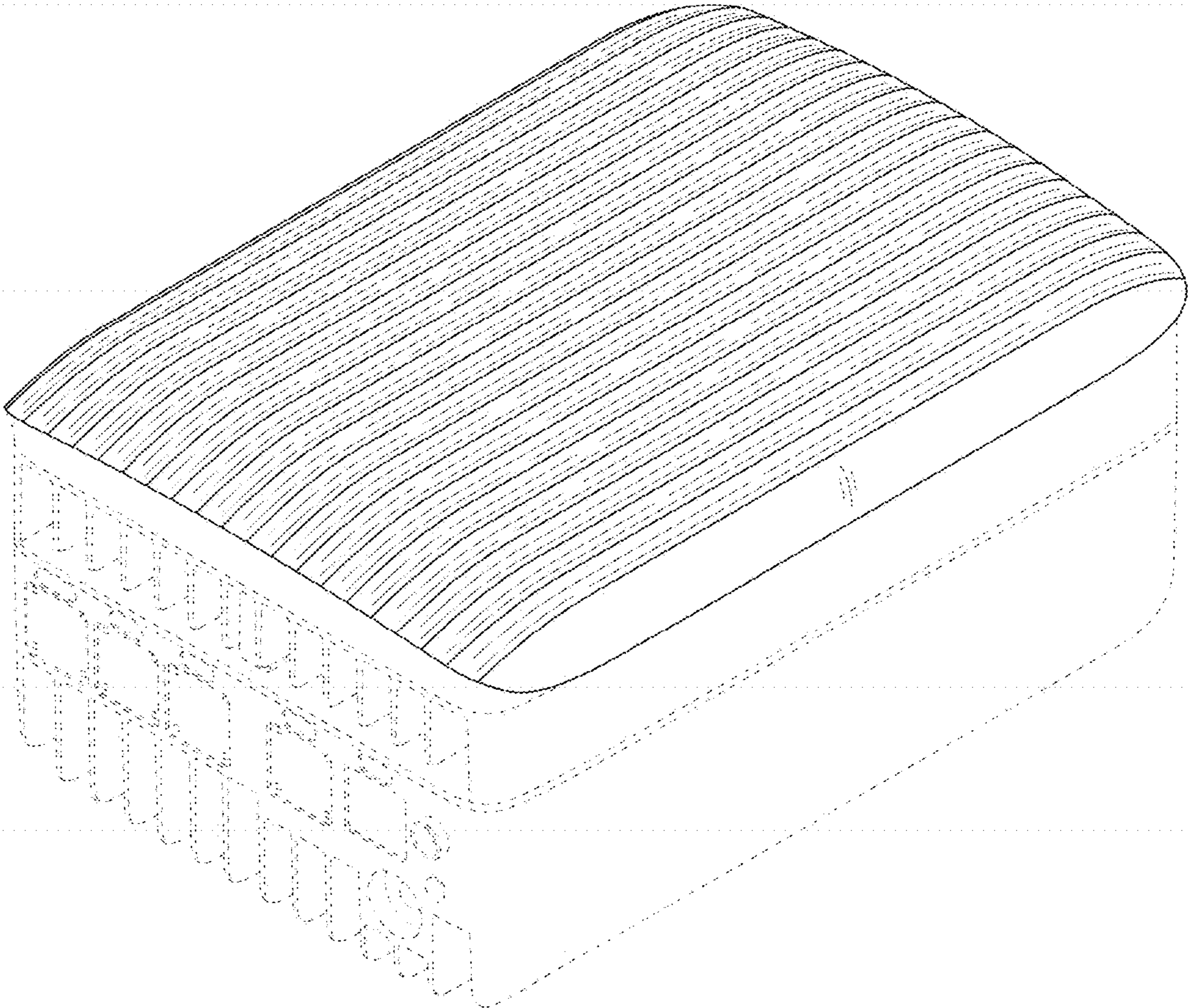


FIG.2

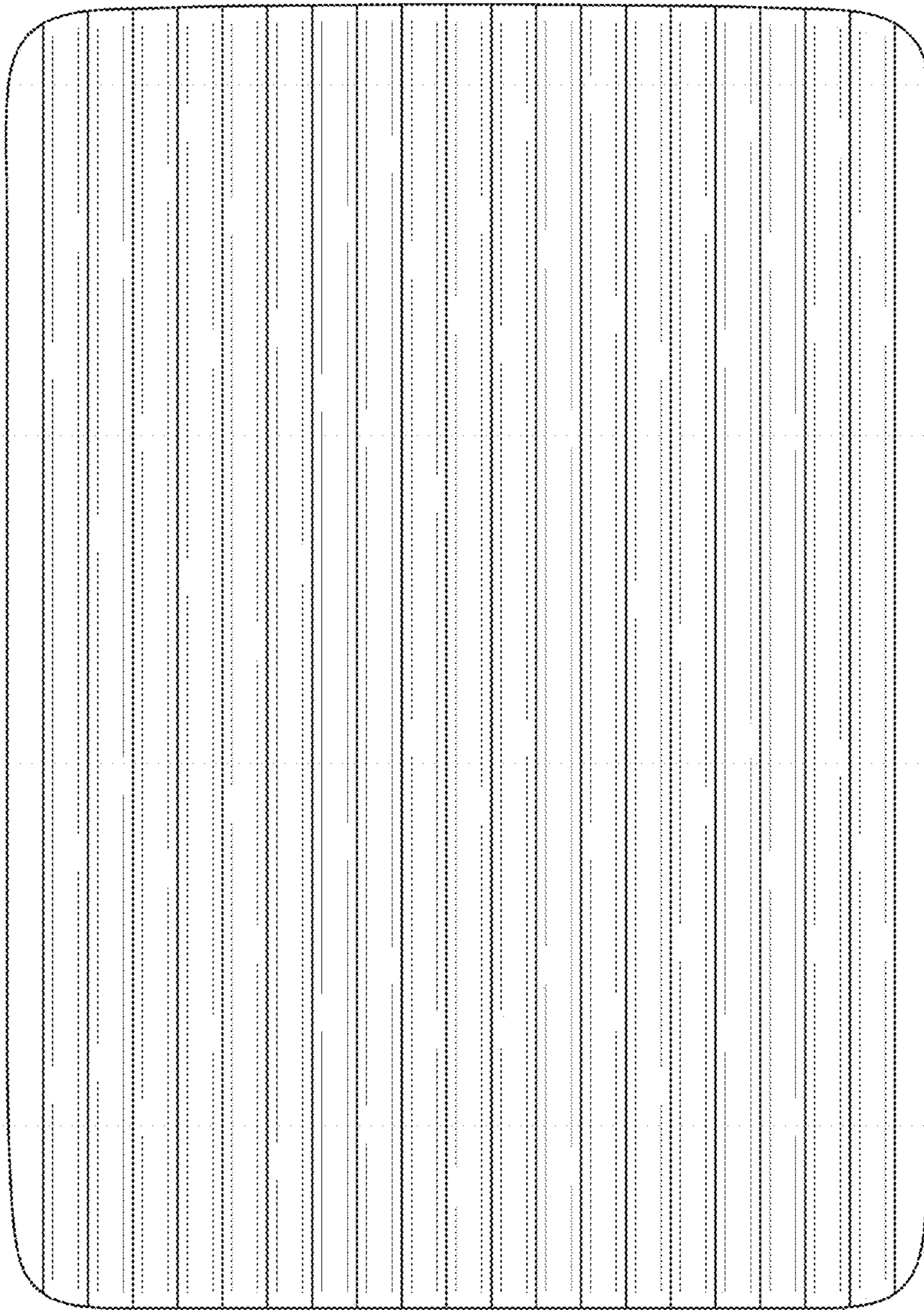


FIG. 3

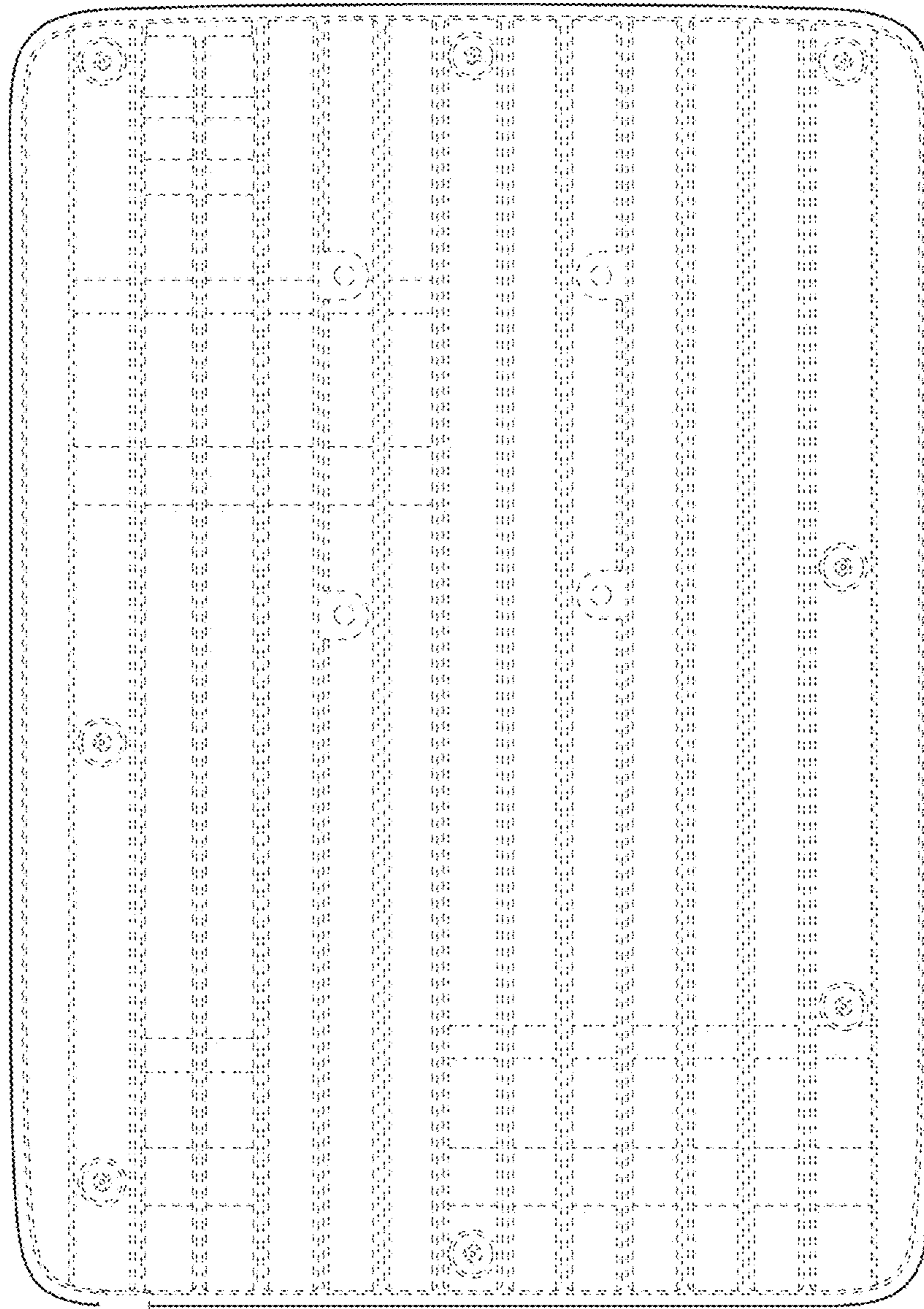


FIG.4

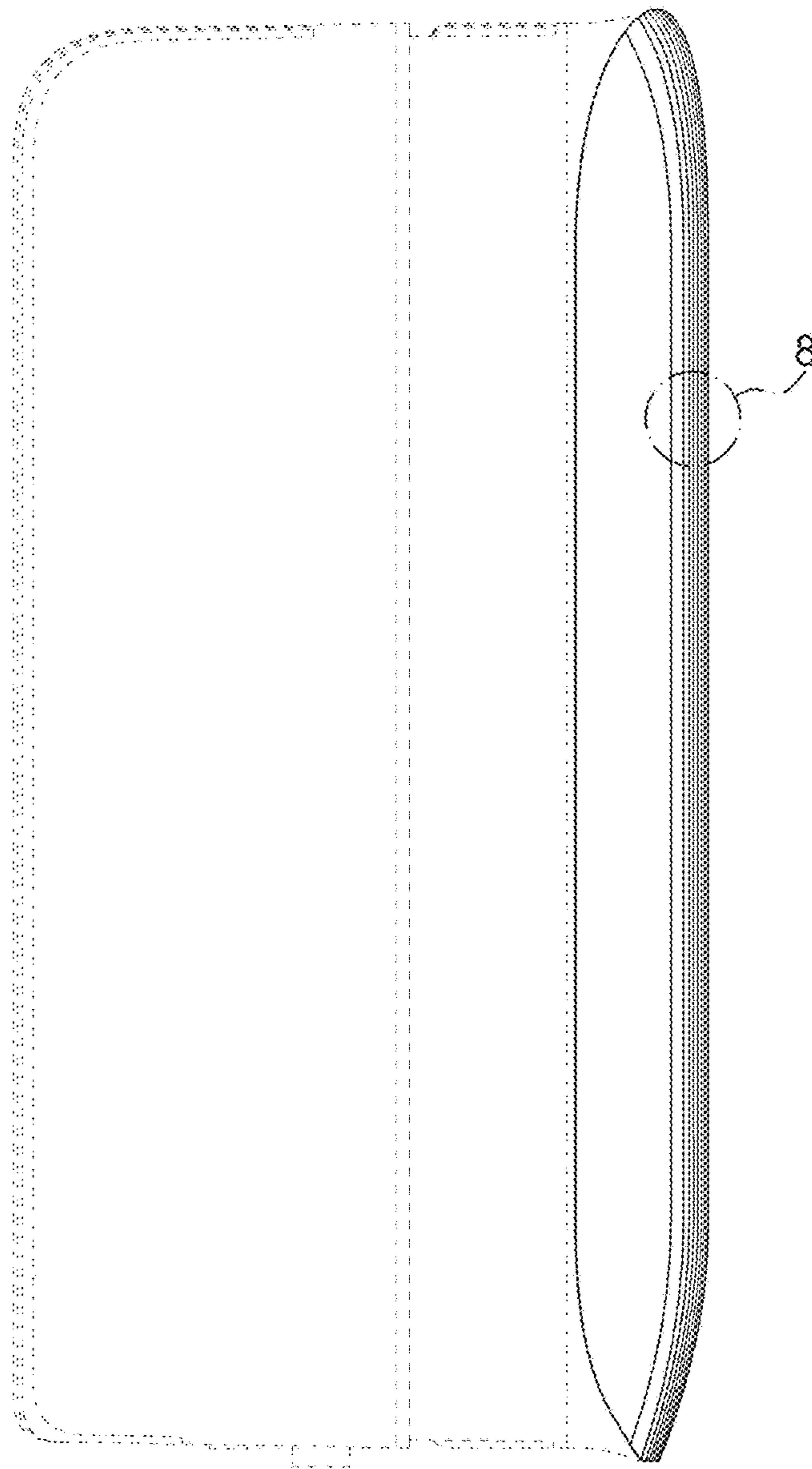


FIG.5

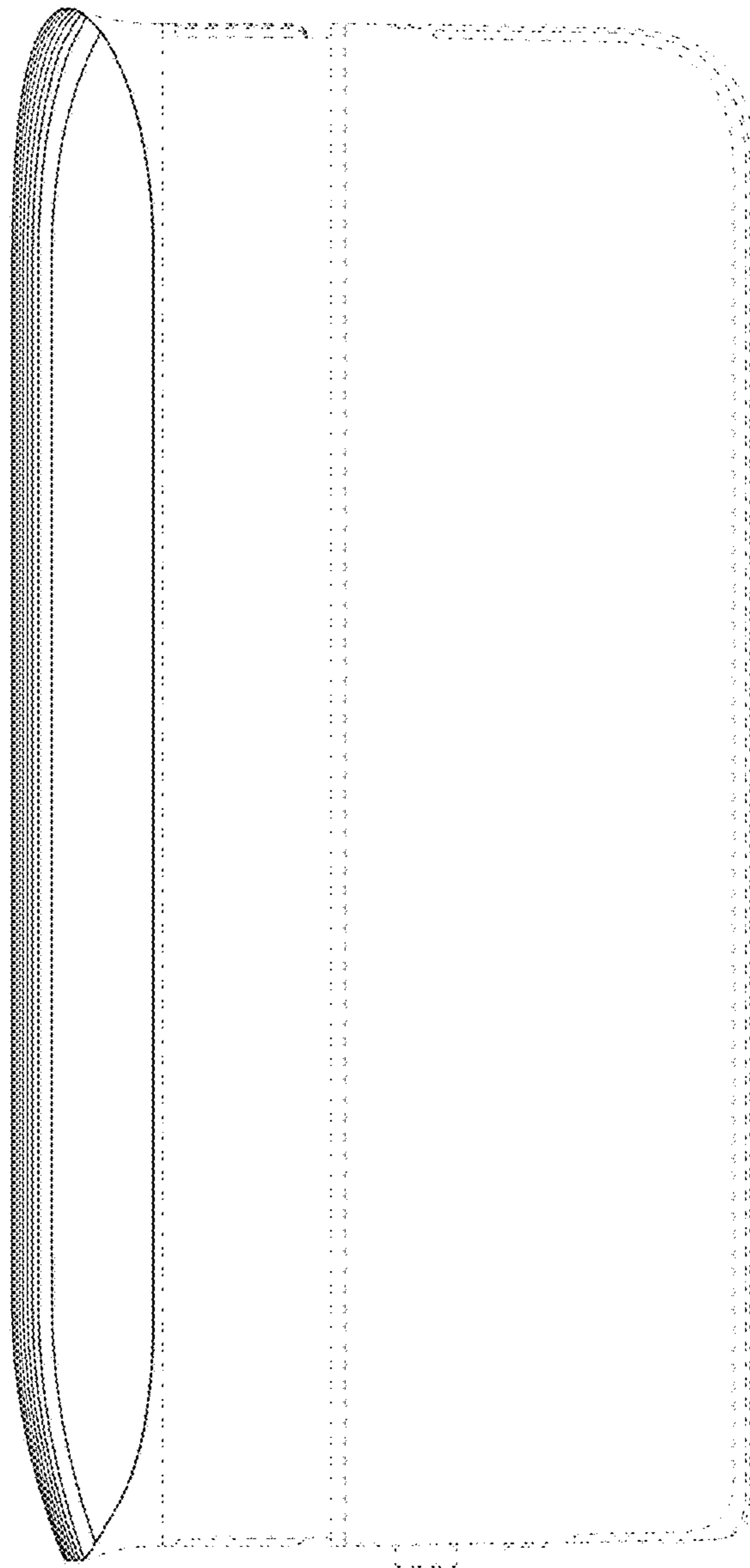


FIG.6

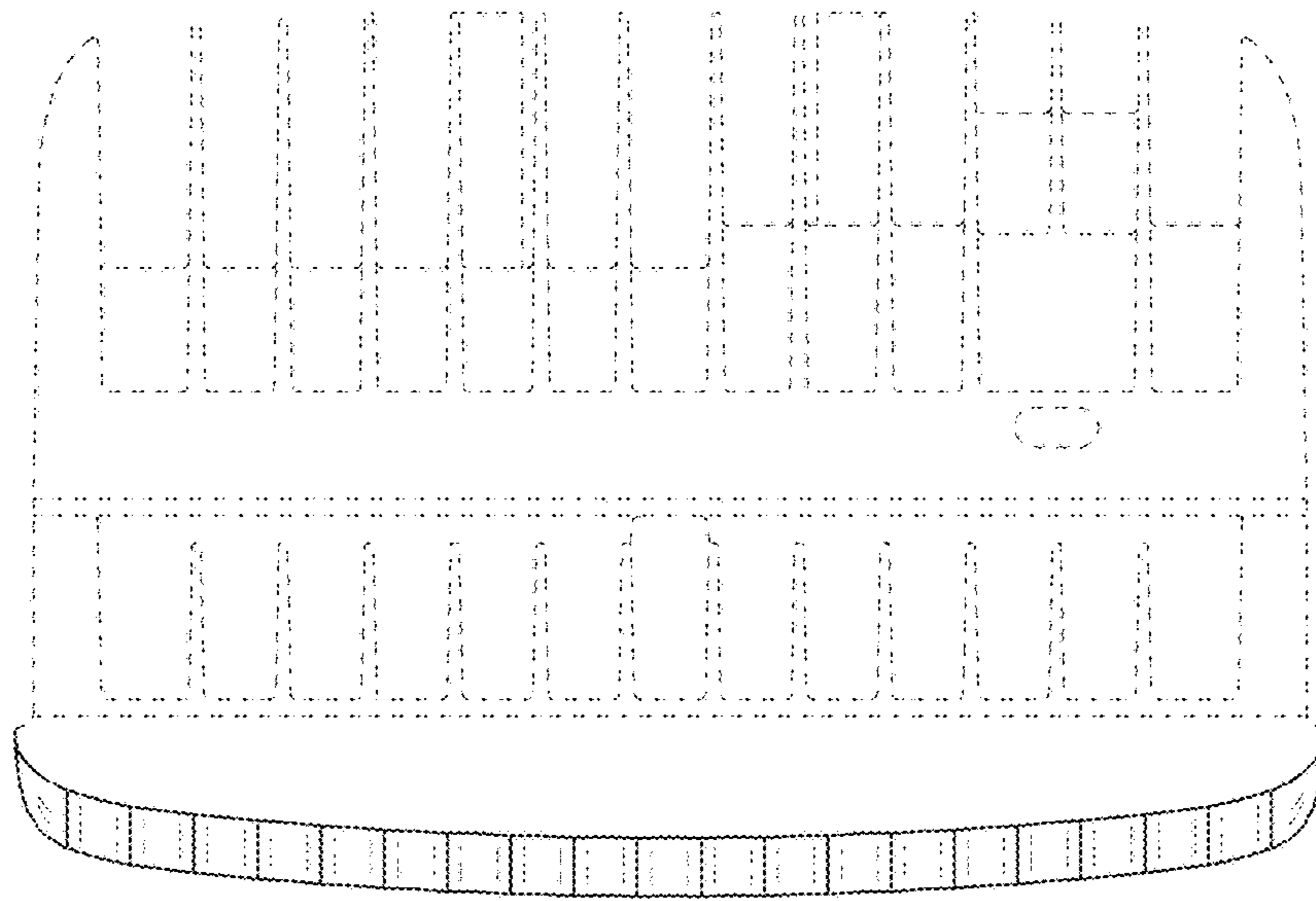


FIG.7

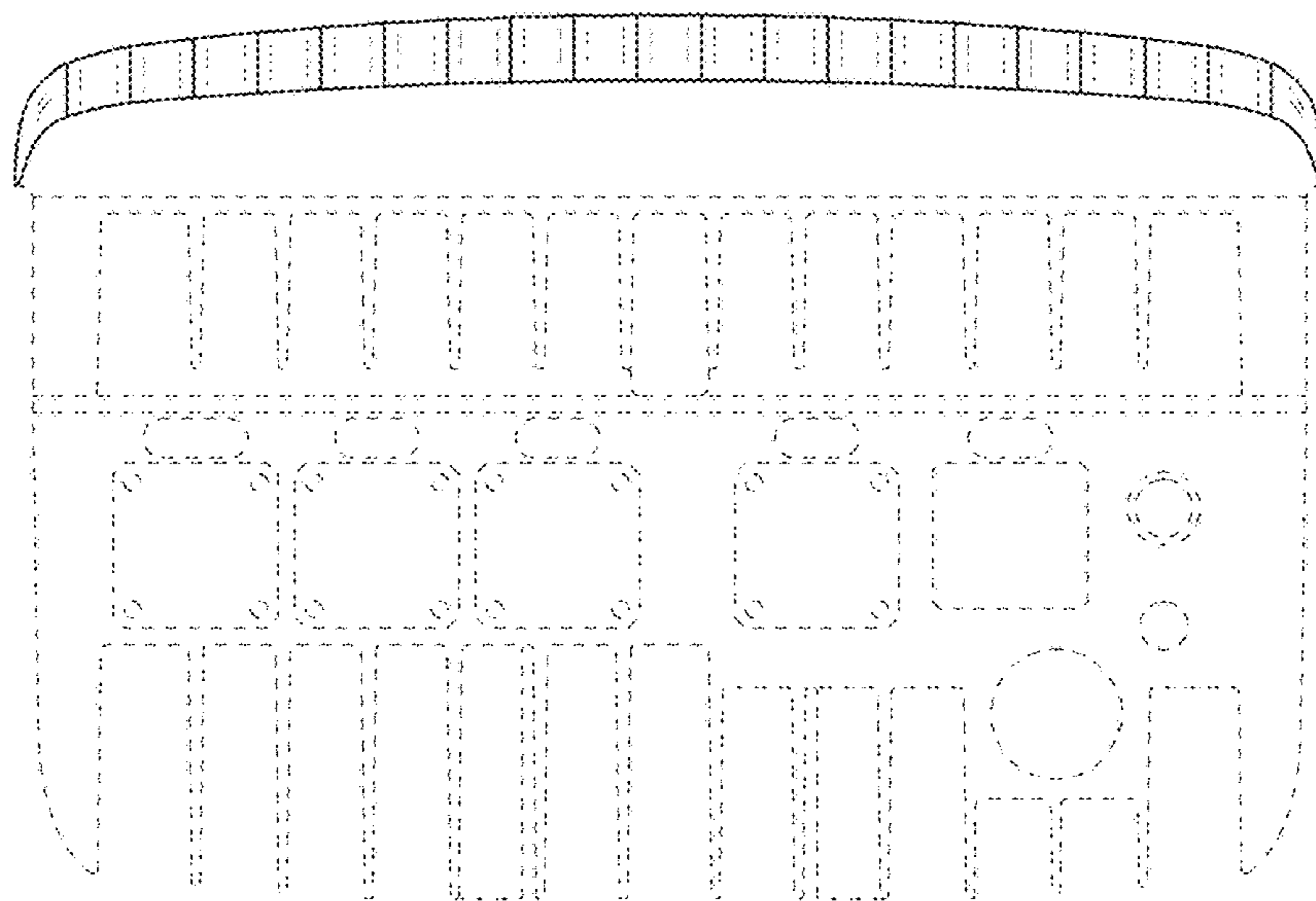


FIG.8

