



US00D862432S

(12) **United States Design Patent**  
**Fernandez Rubio**

(10) **Patent No.:** **US D862,432 S**

(45) **Date of Patent:** **\*\* Oct. 8, 2019**

(54) **STAND FOR TELEVISION**

D766,854 S \* 9/2016 Han ..... D14/126

\* cited by examiner

(71) Applicant: **SAMSUNG ELECTRONICS CO., LTD.**, Suwon-si, Gyeonggi-do (KR)

*Primary Examiner* — Randall H Gholson

(72) Inventor: **Manuel Fernandez Rubio**, Seville (ES)

(74) *Attorney, Agent, or Firm* — Cantor Colburn LLP

(73) Assignee: **SAMSUNG ELECTRONICS CO., LTD.**, Gyeonggi-Do (KR)

(57) **CLAIM**

The ornamental design for a stand for television, as shown and described.

(\*\*) Term: **15 Years**

**DESCRIPTION**

(21) Appl. No.: **29/655,418**

FIG. 1 is a front perspective view of a stand for television, showing my new design;

(22) Filed: **Jul. 3, 2018**

FIG. 2 is a front view thereof;

(30) **Foreign Application Priority Data**

FIG. 3 is a rear view thereof;

Feb. 6, 2018 (KR) ..... 30-2018-0006463

FIG. 4 is a left-side view thereof;

(51) **LOC (12) Cl.** ..... **14-03**

FIG. 5 is a right-side view thereof;

(52) **U.S. Cl.**

FIG. 6 is a top view thereof;

USPC ..... **D14/239**

FIG. 7 is a bottom view thereof;

(58) **Field of Classification Search**

FIG. 8 is a rear perspective view thereof;

USPC ..... D14/239, 371, 136, 374-377; D8/363, D8/373, 349, 394; 248/465, 917-924, 248/123.11; 348/825, 827, 836, 837, 838, 348/180, 184, 325, 739; 600/443; D6/477-479, 407, 474, 460, 461, 468; 312/7.2; 341/12; 345/87, 104, 133, 156, 345/168, 169, 173; 720/605, 669, 600, 720/655; 369/99, 197; 455/344-347; 349/1, 2, 11, 62; 108/59, 91, 92, 96; 211/40, 41.12, 42, 49.1, 50, 85.2, 90.04, 211/187, 190, 119.003, 134.1, 53, 87.01, 211/71.01

FIG. 9 is a bottom perspective view thereof;

CPC ..... A47B 43/00; G03B 1/00

FIG. 10 is an enlarged view of the portion 10 in FIG. 8;

See application file for complete search history.

FIG. 11 is an enlarged view of the portion 11 in FIG. 9;

(56) **References Cited**

FIG. 12 is another front view thereof in a television environment;

**U.S. PATENT DOCUMENTS**

D759,636 S \* 6/2016 Lee ..... D14/239

FIG. 13 is another front perspective view thereof in a television environment;

FIG. 14 is another rear perspective view thereof in a television environment; and,

FIG. 15 is another front view thereof in an alternate position where the legs of the stand are adjusted to a wider angle in a television environment.

The even-dash broken lines depicting portions of the stand for television form no part of the claimed design. The dot-dot-dash broken lines surrounding portions of the claimed design that are illustrated in enlargements form no part of the claimed design. The even-dash broken lines depicting a television in FIGS. 12-15 are for illustrative purposes only and form no part of the claimed design.

**1 Claim, 15 Drawing Sheets**

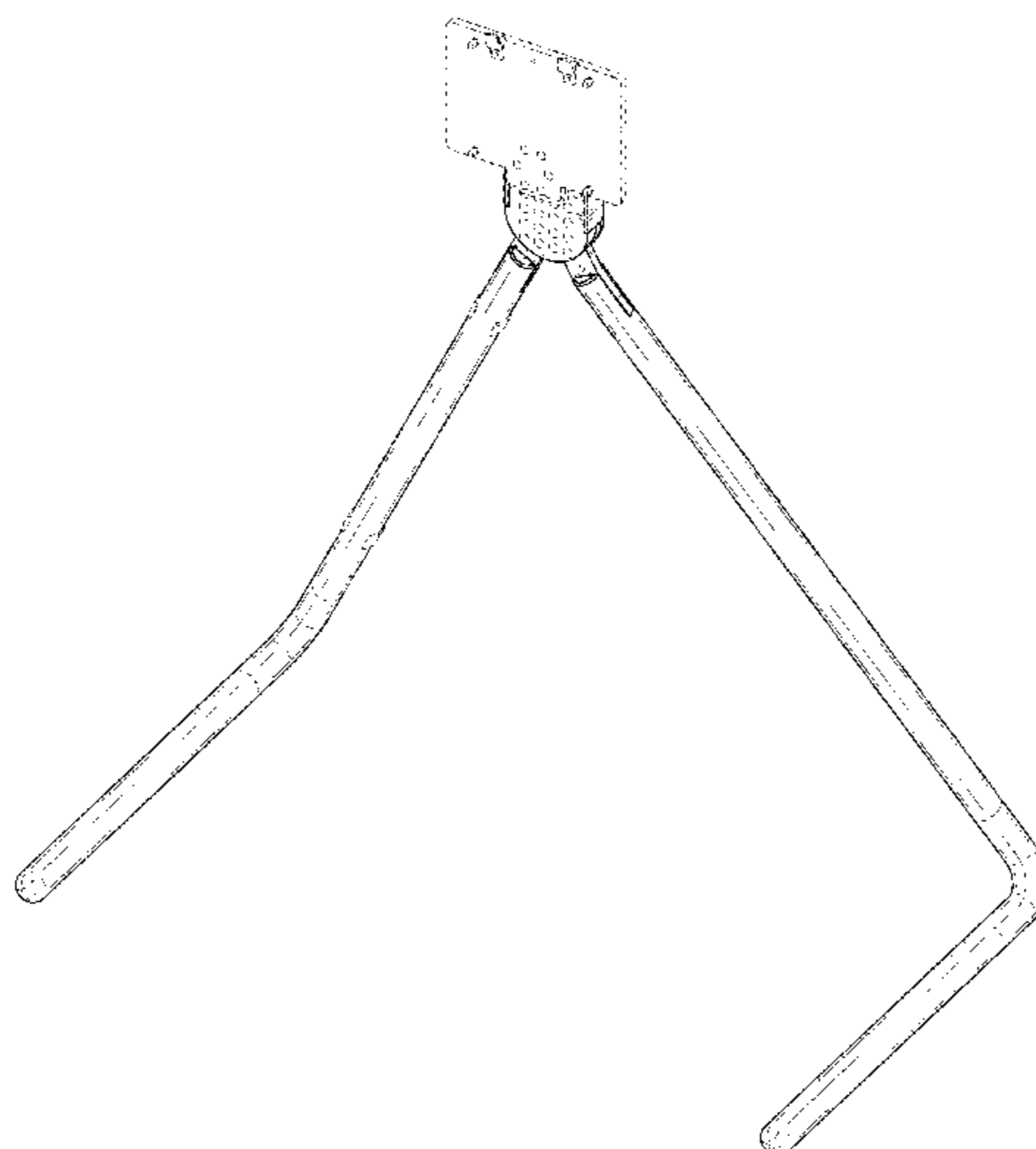


FIG. 1

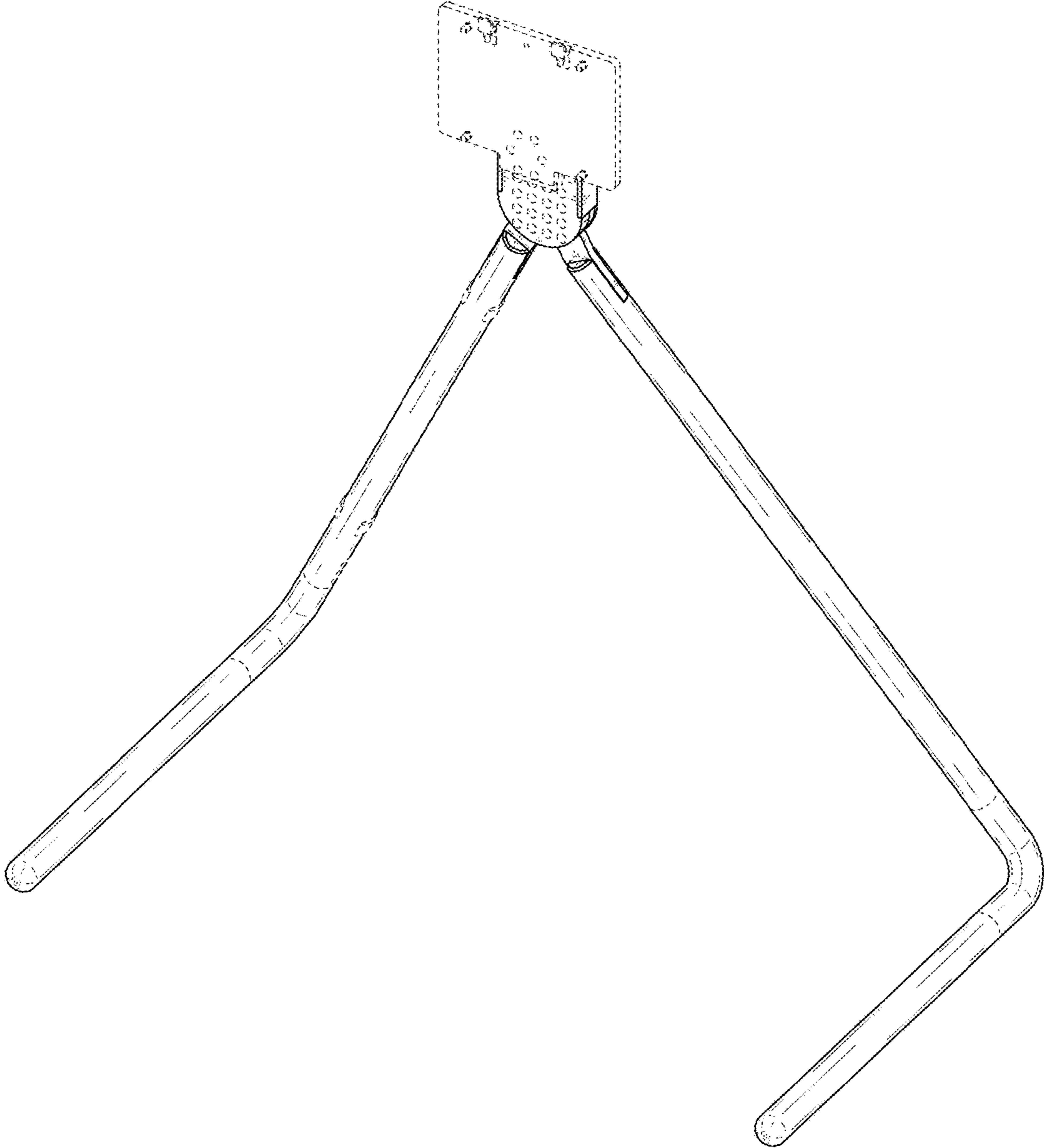


FIG. 2

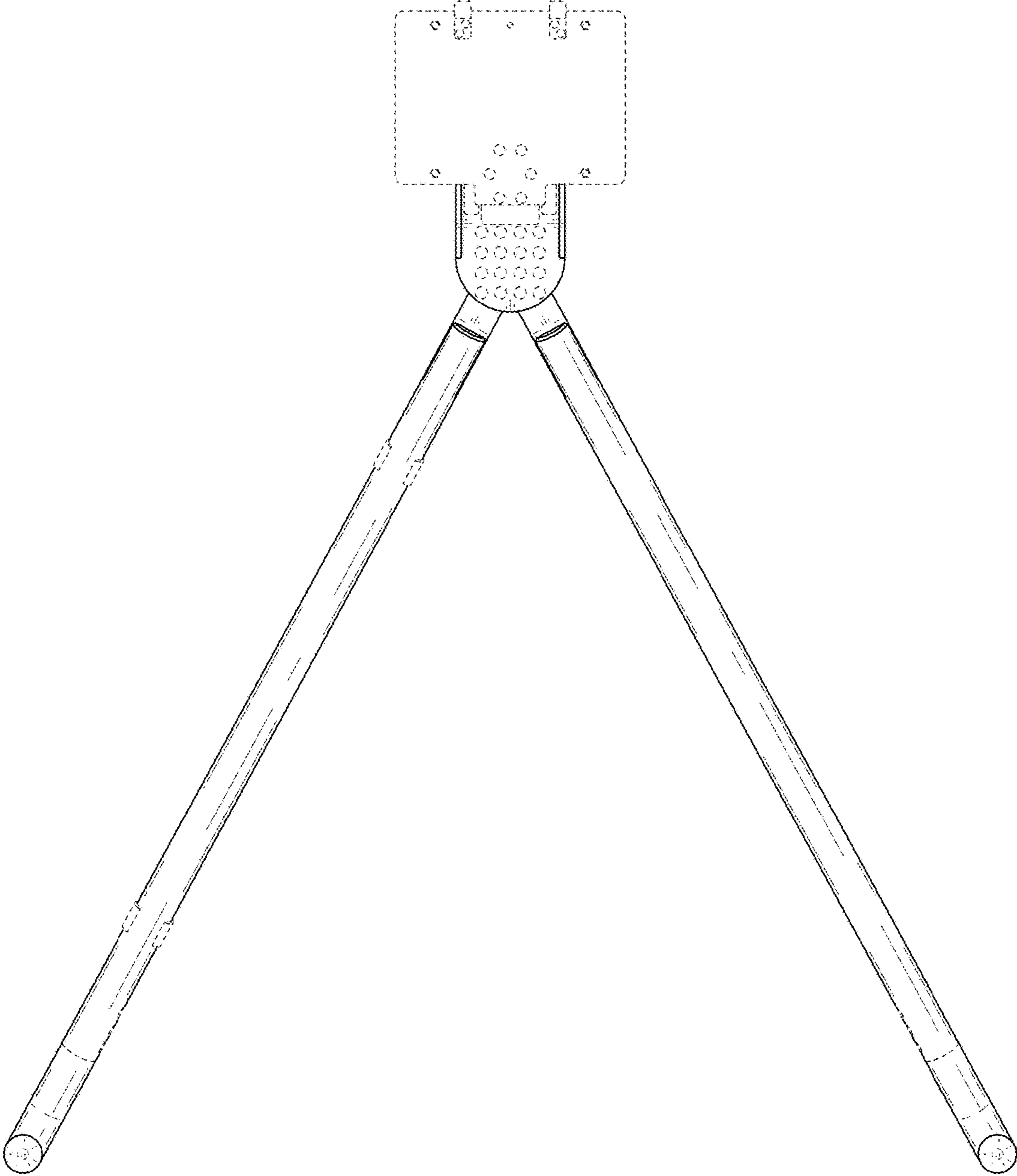


FIG. 3

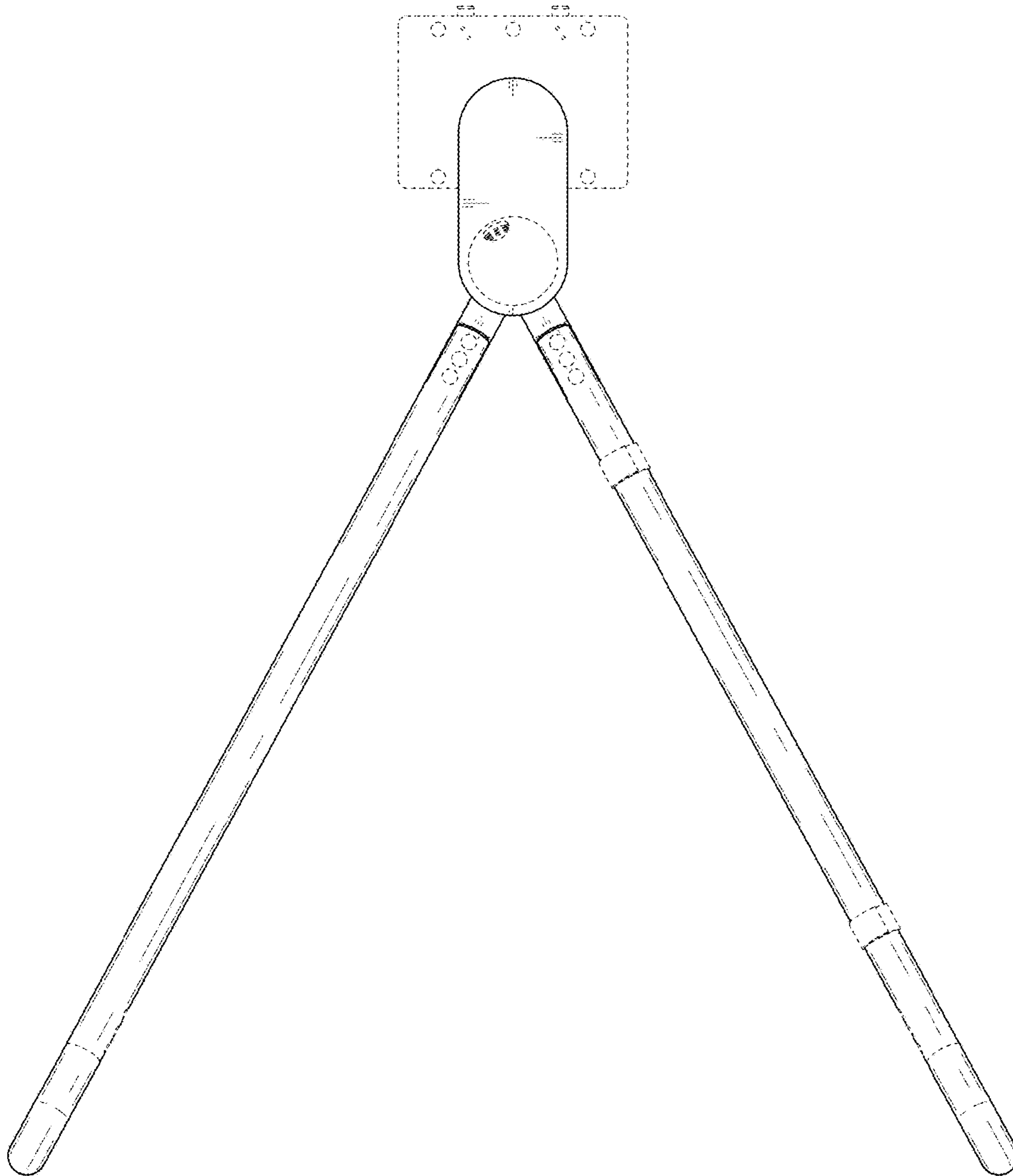


FIG. 4

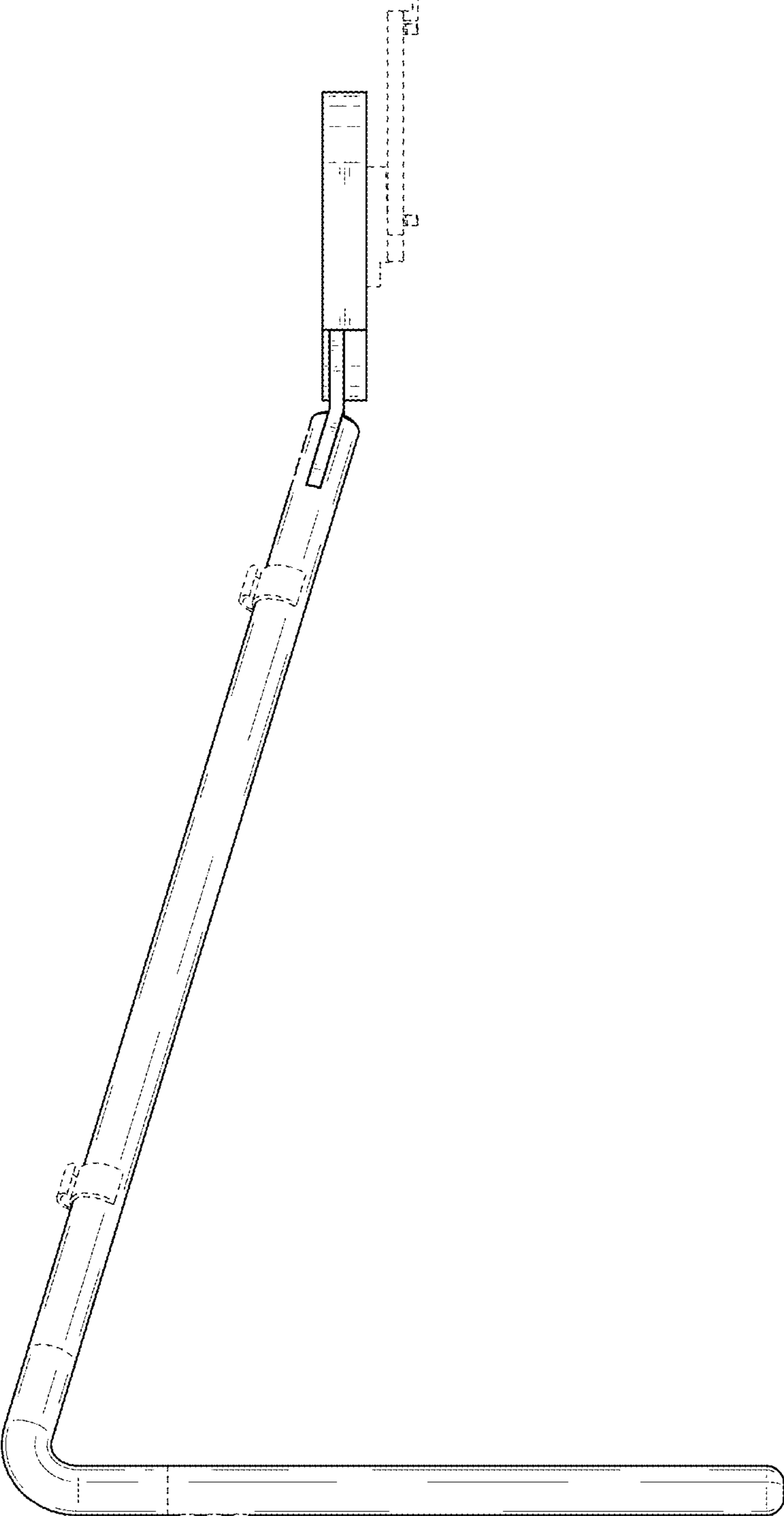


FIG. 5

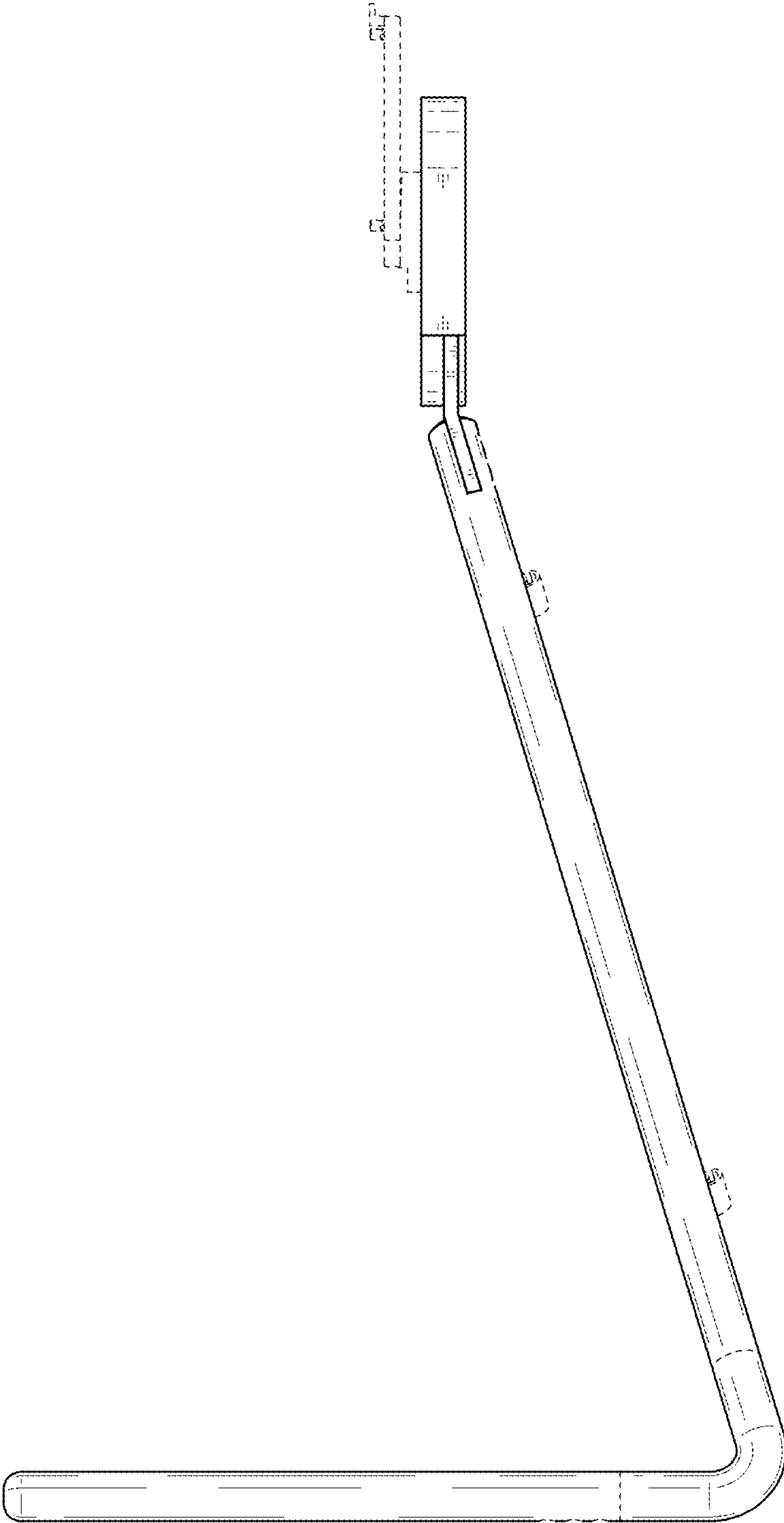


FIG. 6

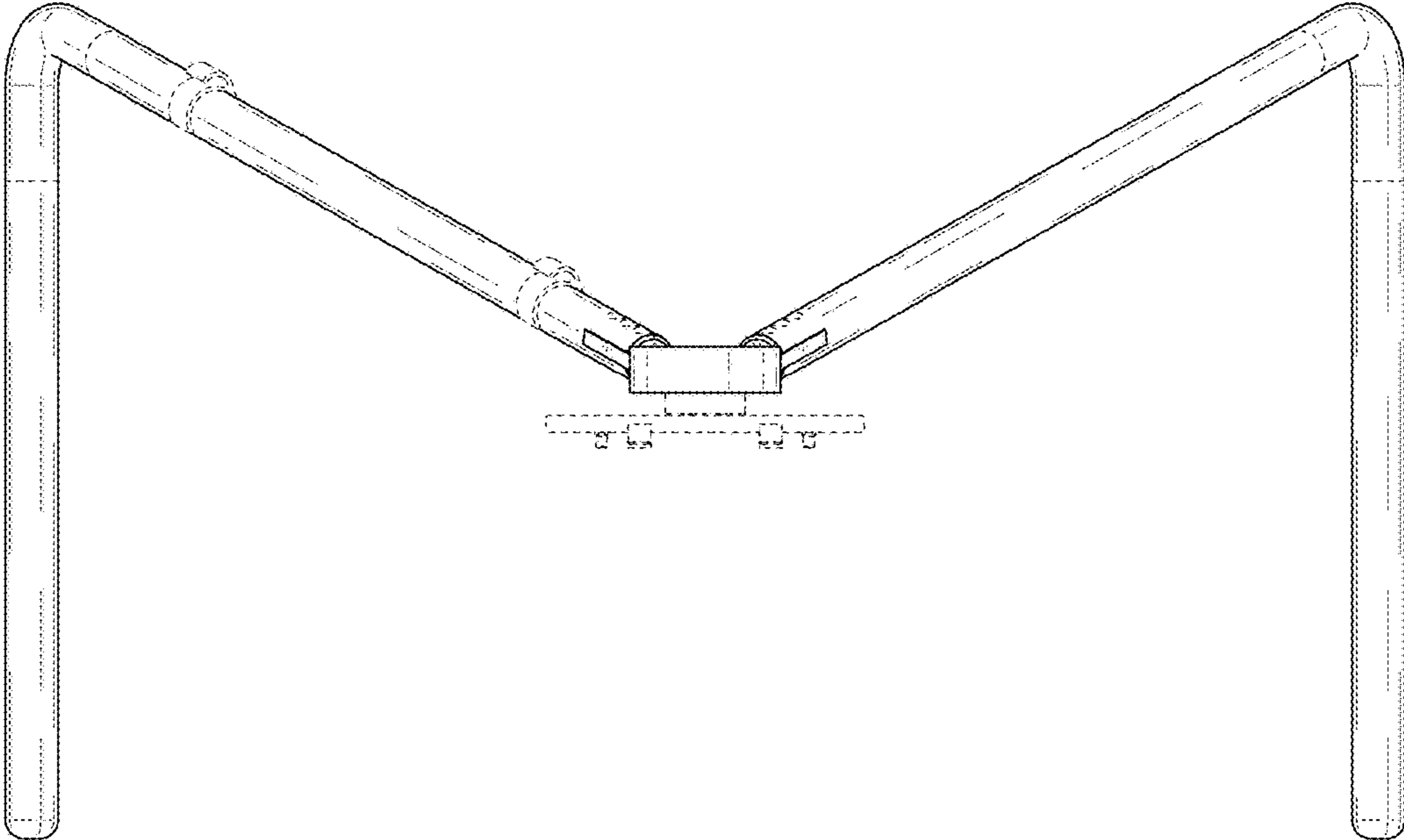




FIG. 7

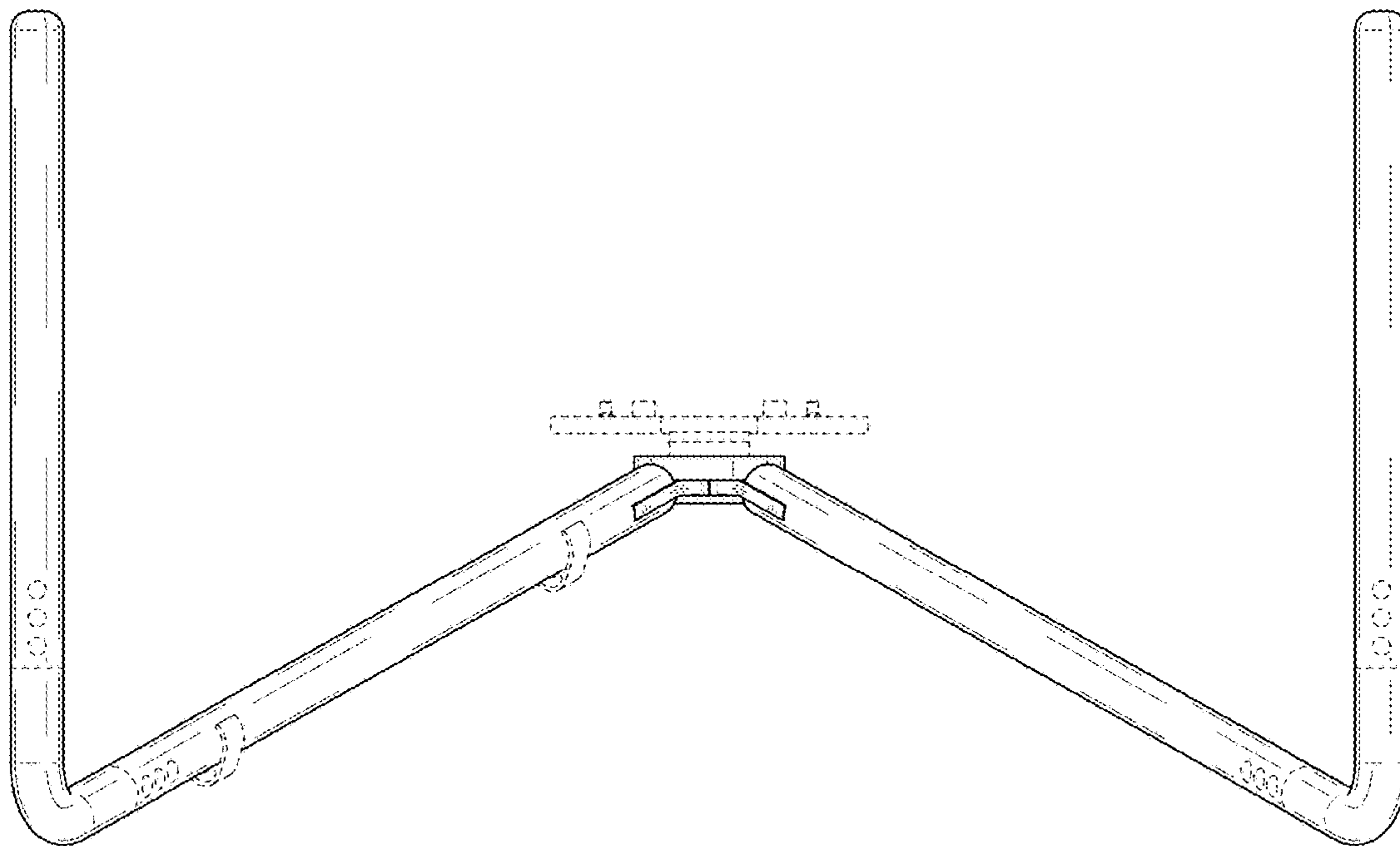




FIG. 8

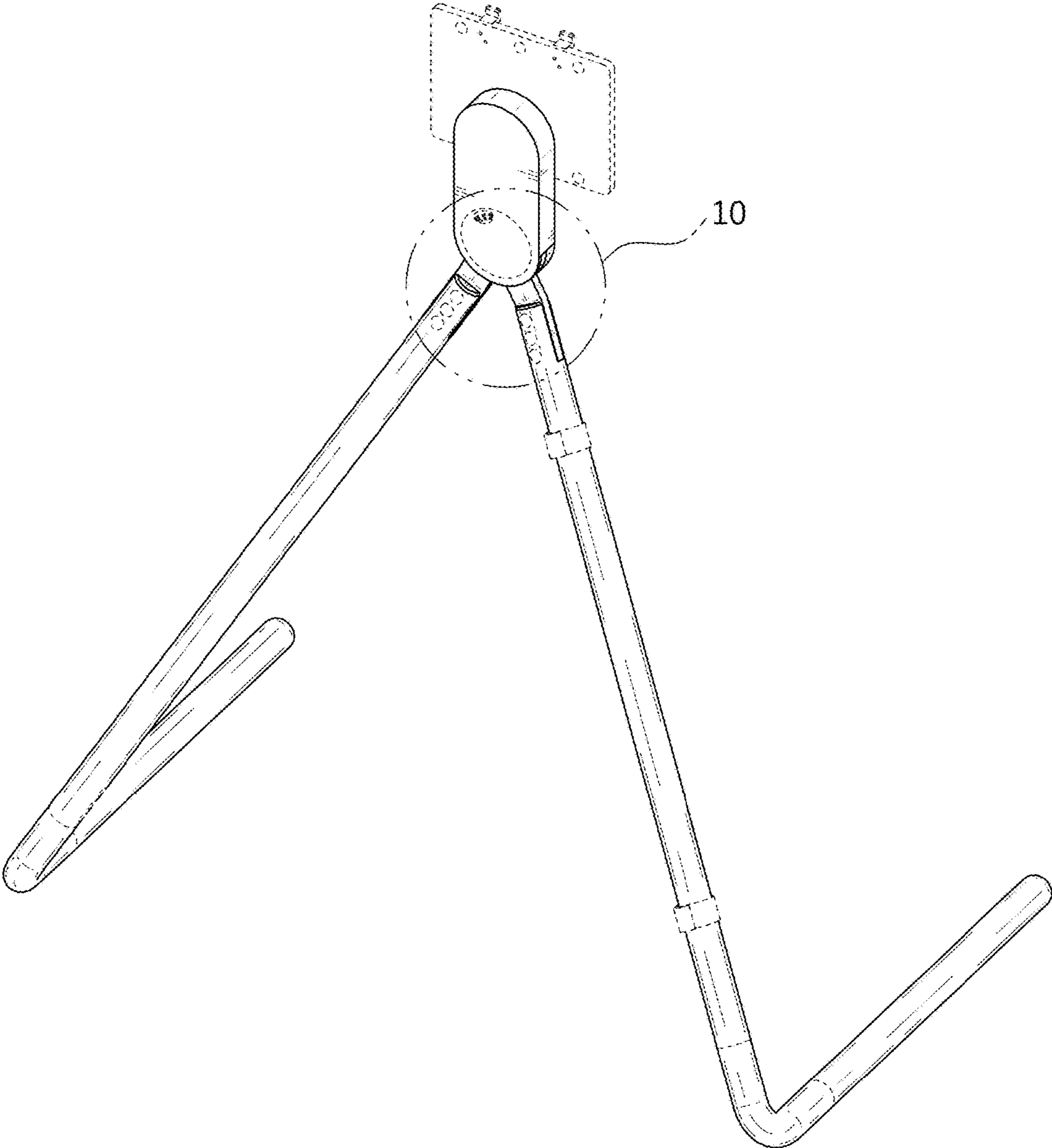


FIG. 9

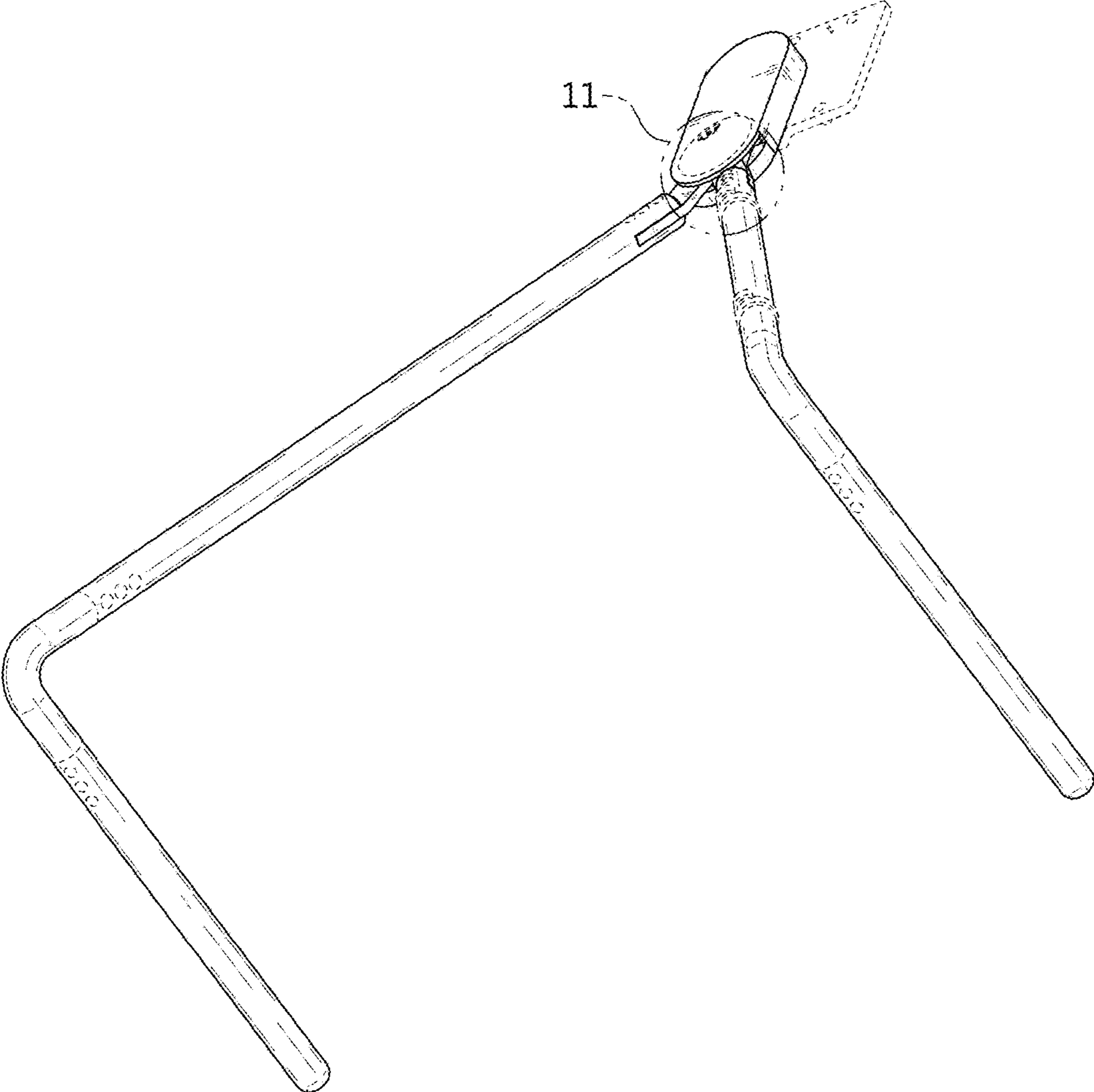


FIG. 10

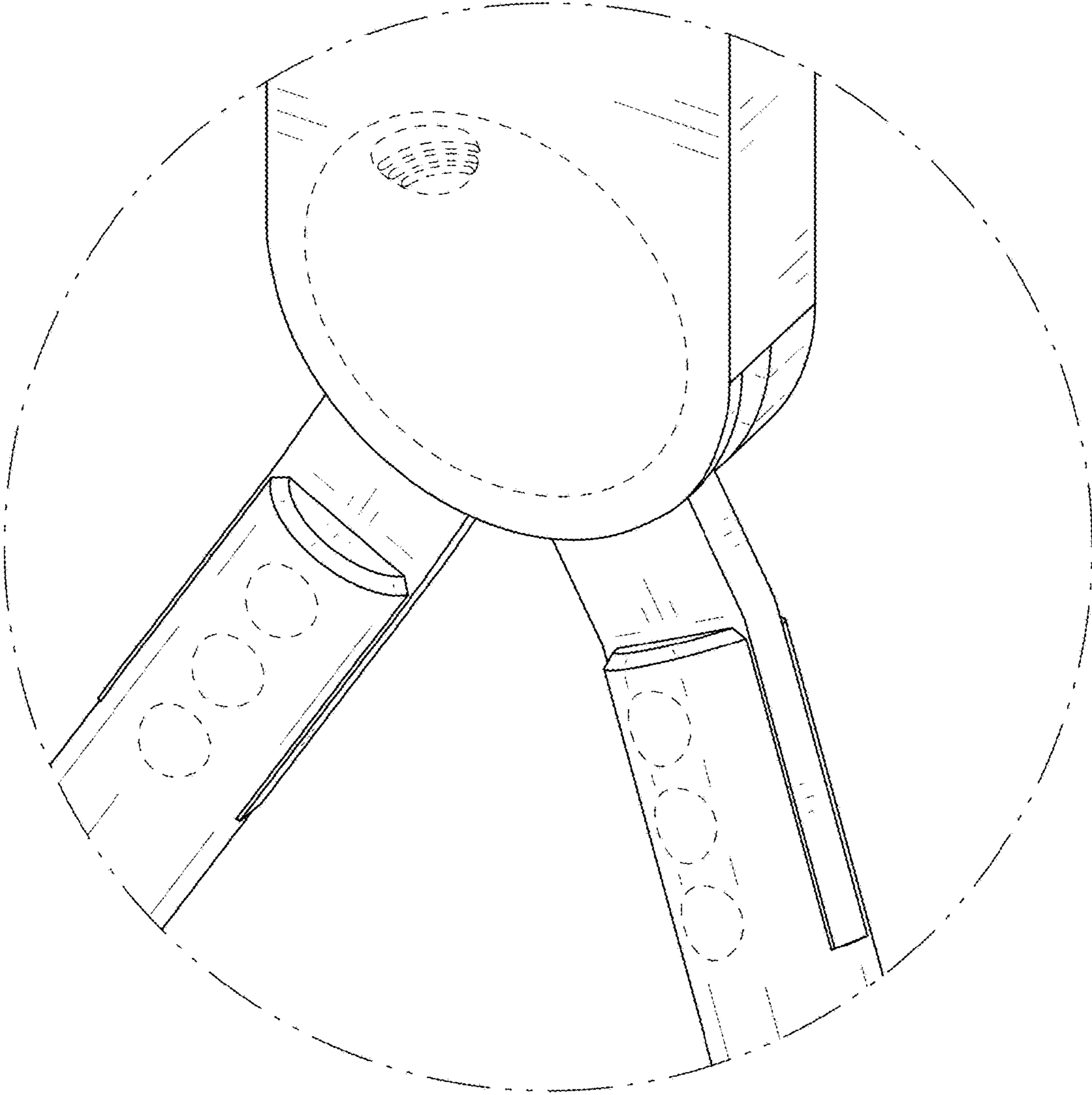


FIG. 11

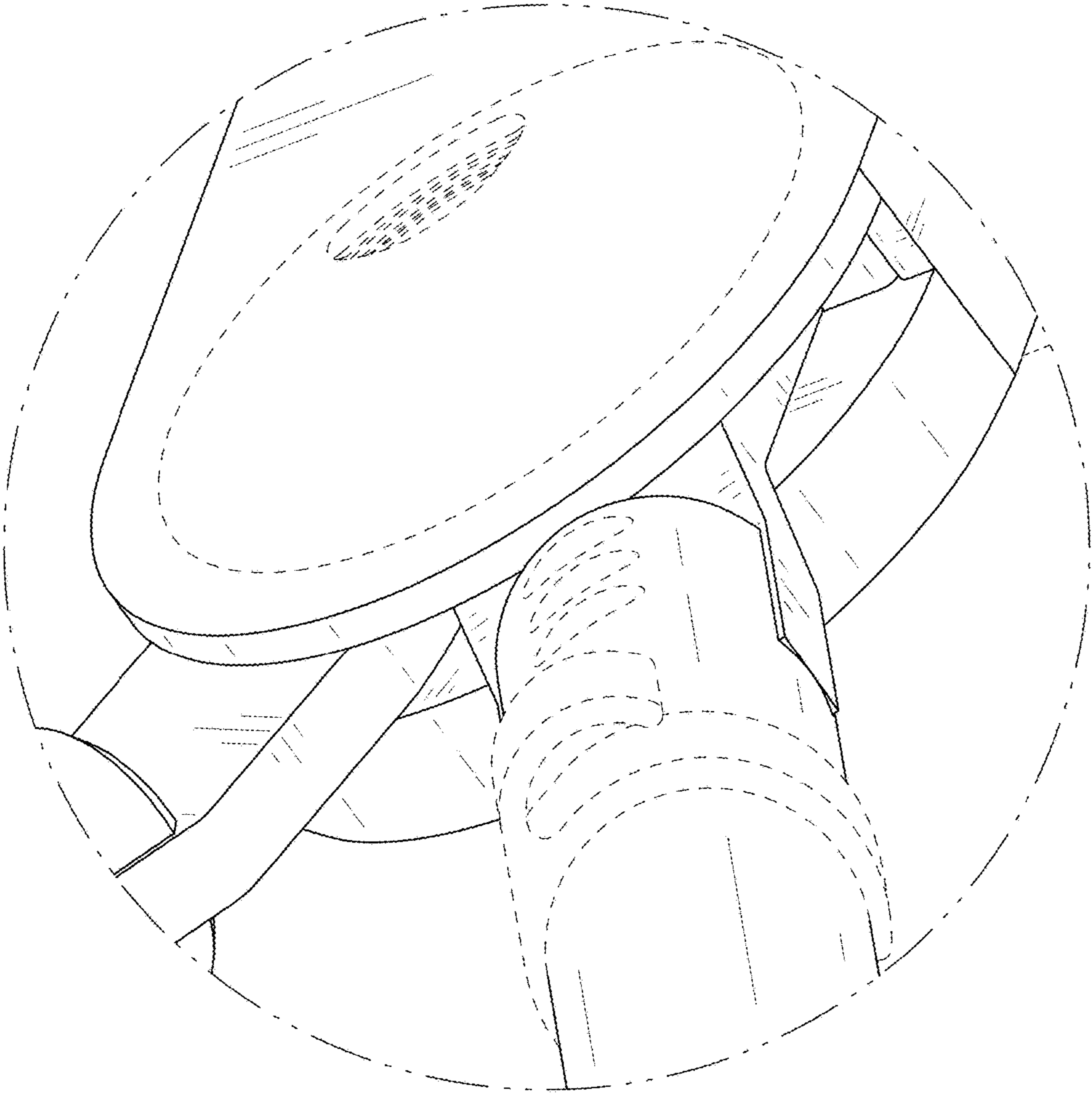


FIG. 12

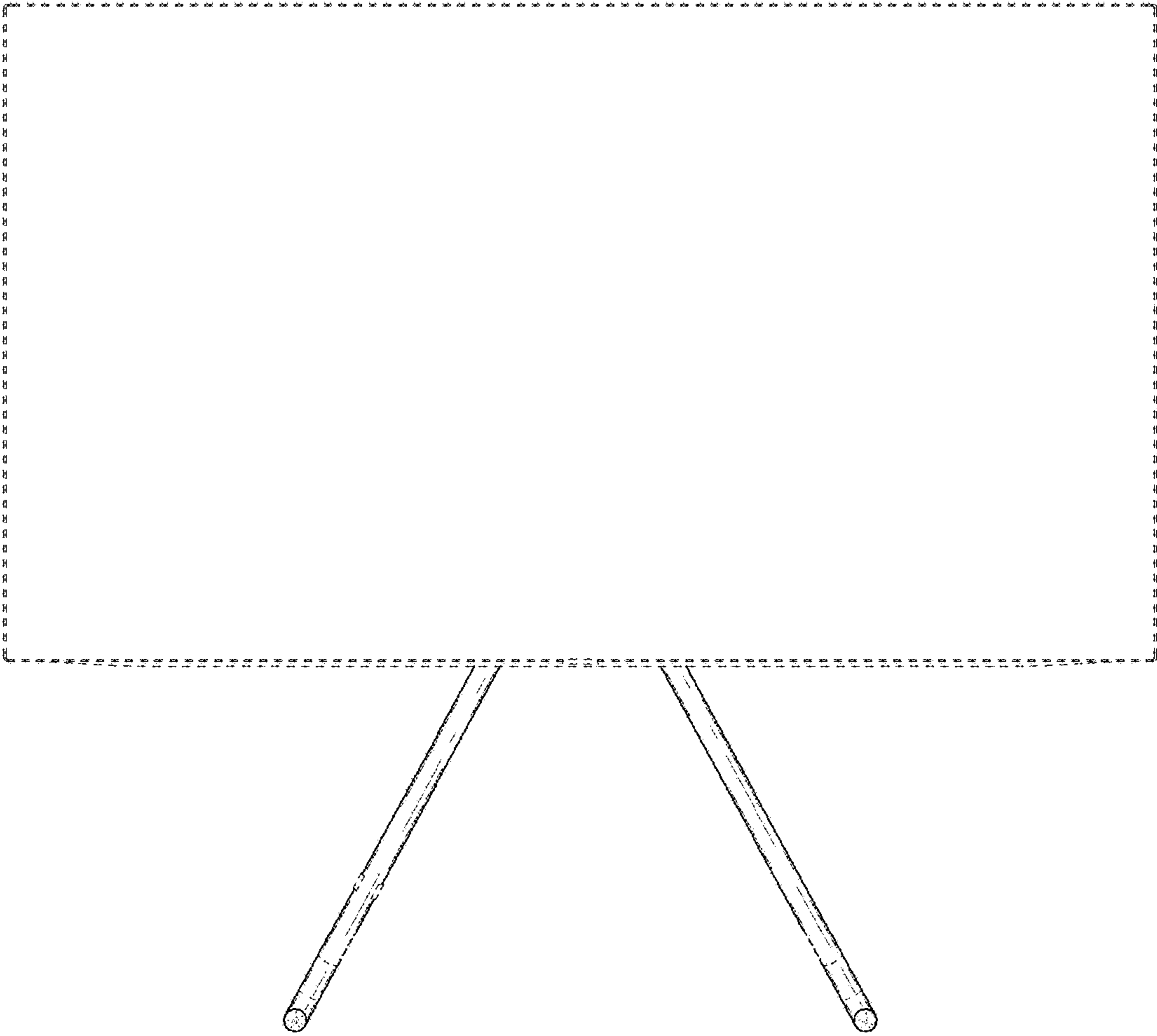


FIG. 13

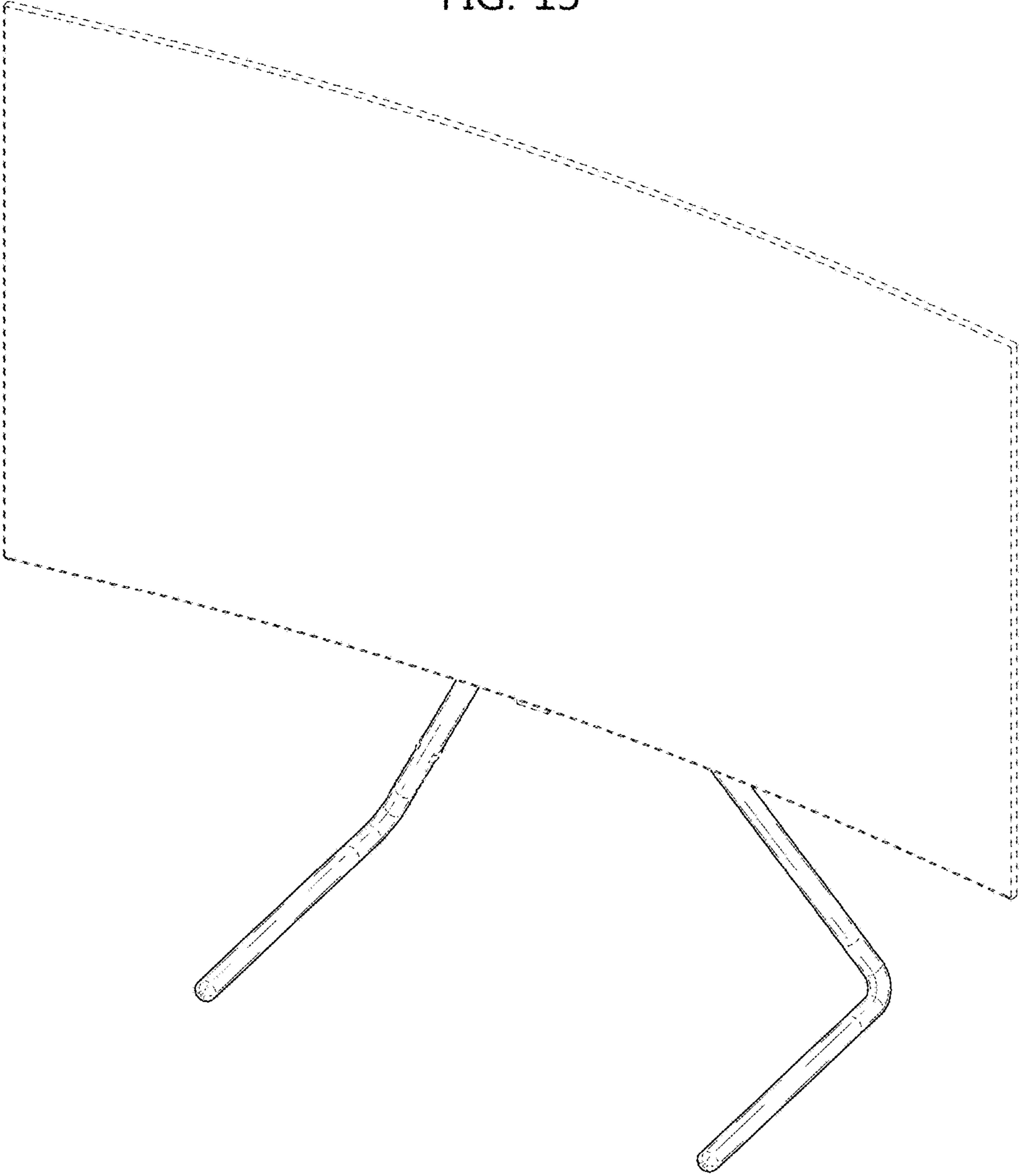


FIG. 14

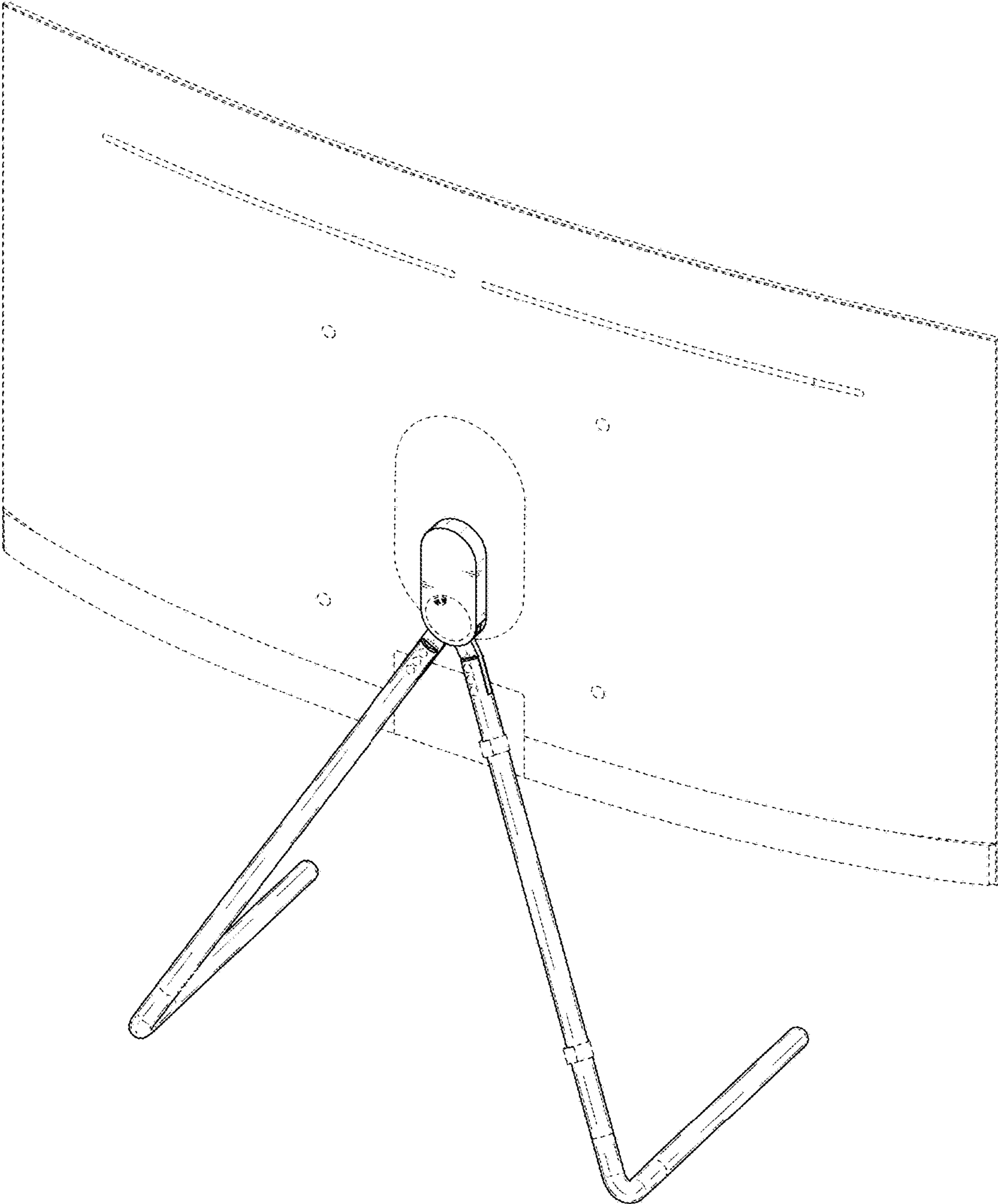




FIG. 15

