

US00D862431S

(12) **United States Design Patent**
Dehneli

(10) **Patent No.:** **US D862,431 S**
(45) **Date of Patent:** **** Oct. 8, 2019**

(54) **STAND FOR TELEVISION**

(71) Applicant: **SAMSUNG ELECTRONICS CO., LTD.**, Suwon-si, Gyeonggi-do (KR)

(72) Inventor: **Fulden Dehneli**, Ankara (TR)

(73) Assignee: **SAMSUNG ELECTRONICS CO., LTD.**, Gyeonggi-Do (KR)

(**) Term: **15 Years**

(21) Appl. No.: **29/655,413**

(22) Filed: **Jul. 3, 2018**

(30) **Foreign Application Priority Data**

Feb. 6, 2018 (KR) 30-2018-0006465

(51) **LOC (12) Cl.** **14-03**

(52) **U.S. Cl.**
USPC **D14/239**

(58) **Field of Classification Search**
USPC D14/126, 239, 371, 136, 374-377;
D8/363, 373, 349, 394; 248/465,
248/917-924, 123.11; 348/825, 827, 836,
348/837, 838, 180, 184, 325, 739;
600/443; D6/477-479, 407, 474, 460,
D6/461, 468; 312/7.2; 341/12; 345/87,
345/104, 133, 156, 168, 169, 173;
720/605, 669, 600, 655; 369/99, 197;
455/344-347; 349/1, 2, 11, 62; 108/59,
108/91, 92, 96; 211/40, 41.12, 42, 49.1,
211/50, 85.2, 90.04, 187, 190, 119.003,
211/134.1, 53, 87.01, 71.01

CPC A47B 43/00; G03B 1/00
See application file for complete search history.

(56) **References Cited**

U.S. PATENT DOCUMENTS

D531,685 S * 11/2006 Frankel D21/699
D619,569 S * 7/2010 Honchell D14/239
D685,353 S * 7/2013 Wilkinson D14/239

* cited by examiner

Primary Examiner — Randall H Gholson

(74) *Attorney, Agent, or Firm* — Cantor Colburn LLP

(57) **CLAIM**

The ornamental design for a stand for television, as shown and described.

DESCRIPTION

FIG. 1 is a front perspective view of a stand for television, showing my new design;
FIG. 2 is a front view thereof;
FIG. 3 is a rear view thereof;
FIG. 4 is a left side view thereof;
FIG. 5 is a right side view thereof;
FIG. 6 is a top view thereof;
FIG. 7 is a bottom view thereof;
FIG. 8 is a rear perspective view thereof;
FIG. 9 is another front perspective view thereof in a television environment; and,
FIG. 10 is another rear perspective view thereof in a television environment.

The broken lines depicting portions of the stand for television form no part of the claimed design.
The broken lines depicting a television in FIGS. 9 and 10 are for illustrative purposes only and form no part of the claimed design.

1 Claim, 10 Drawing Sheets

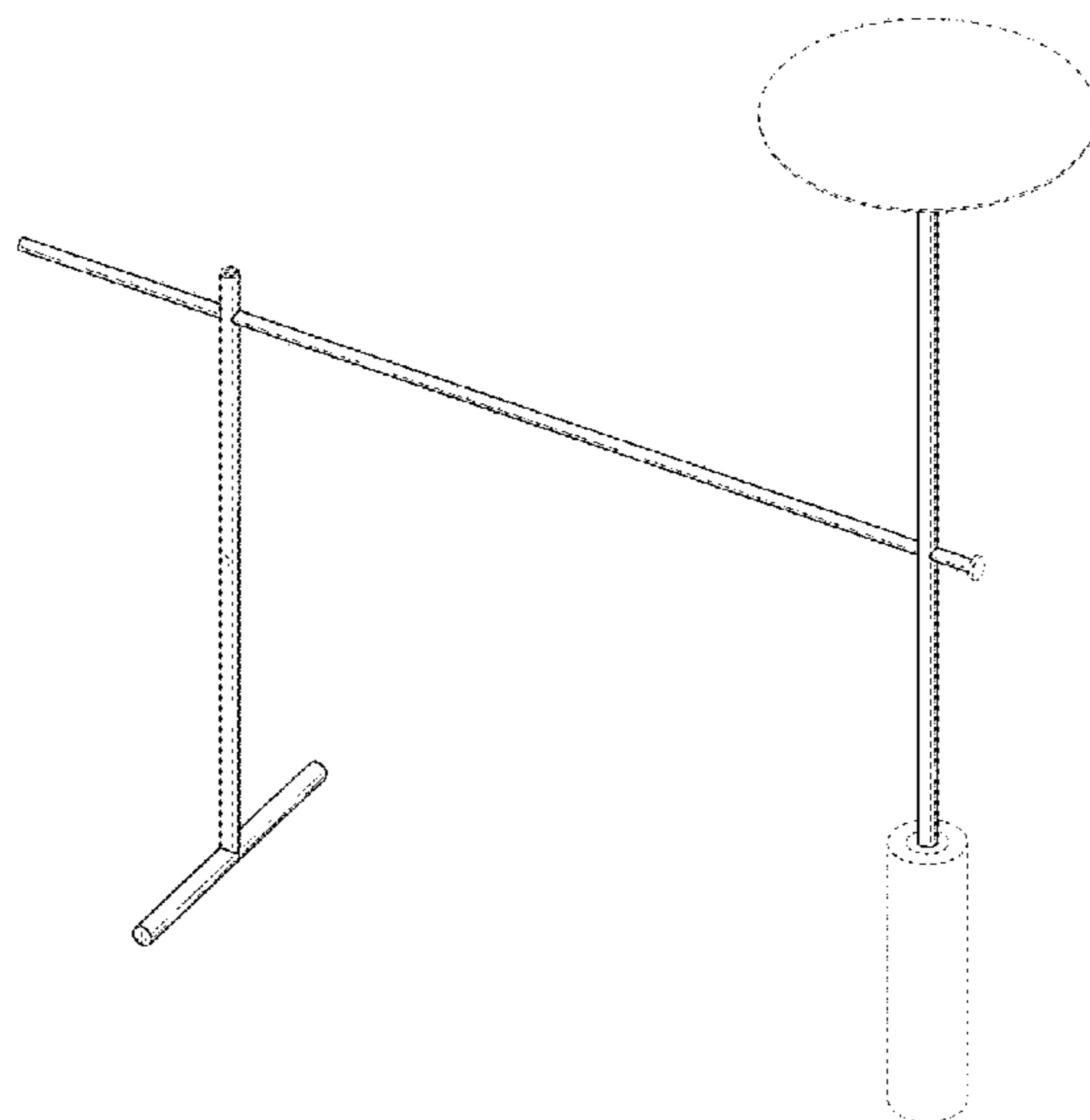


FIG. 1

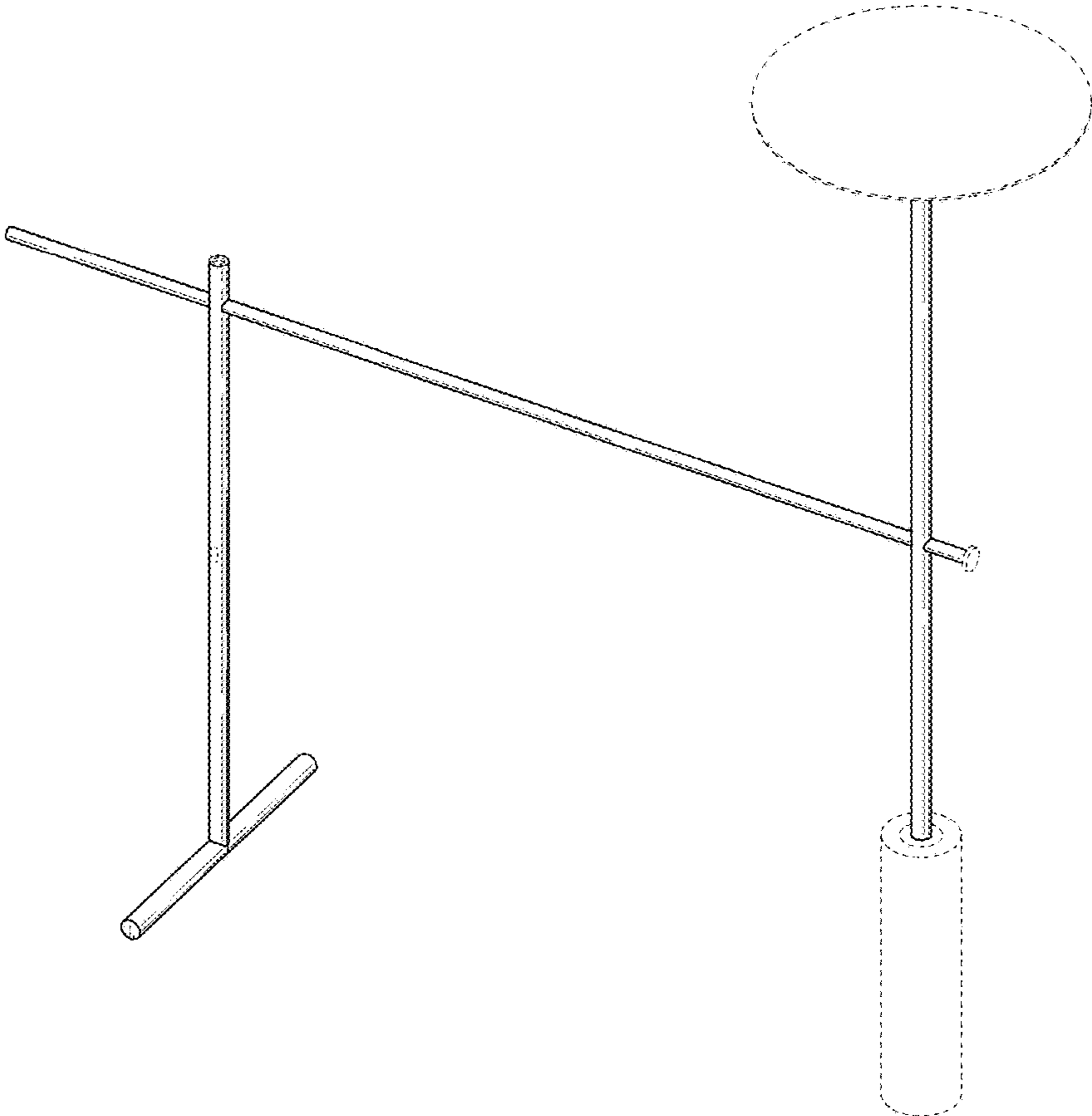


FIG. 2

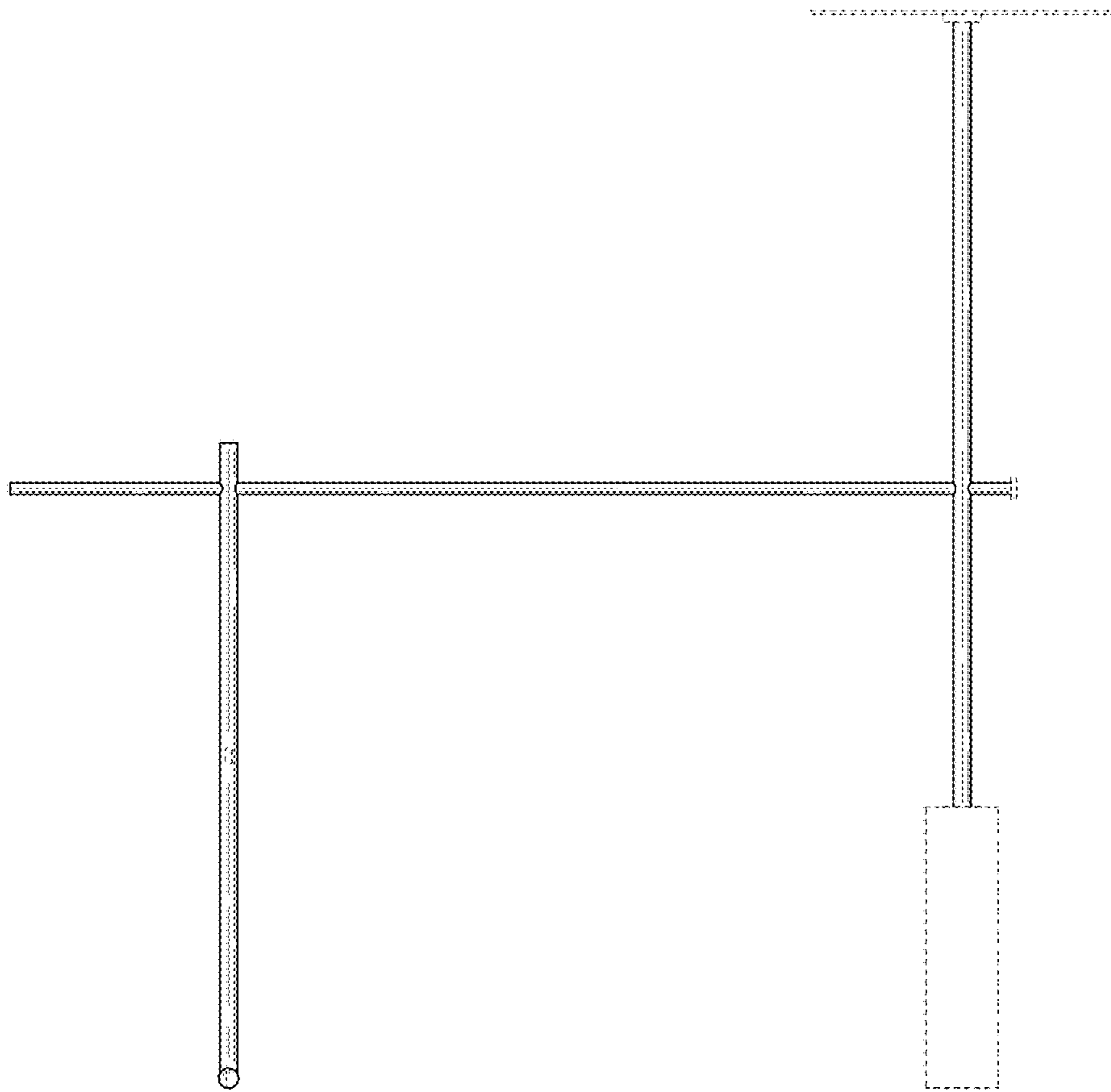


FIG. 3

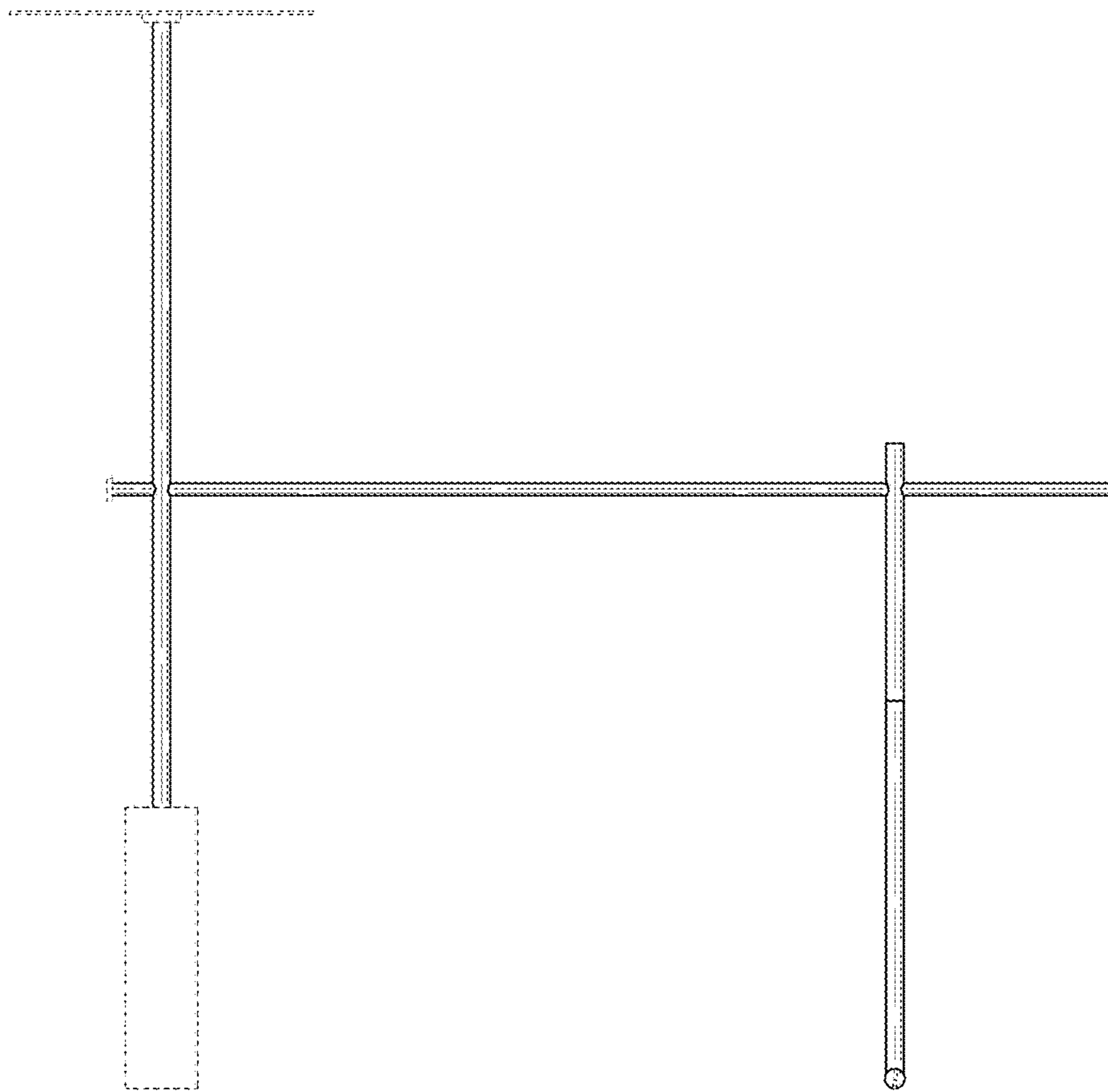


FIG. 4

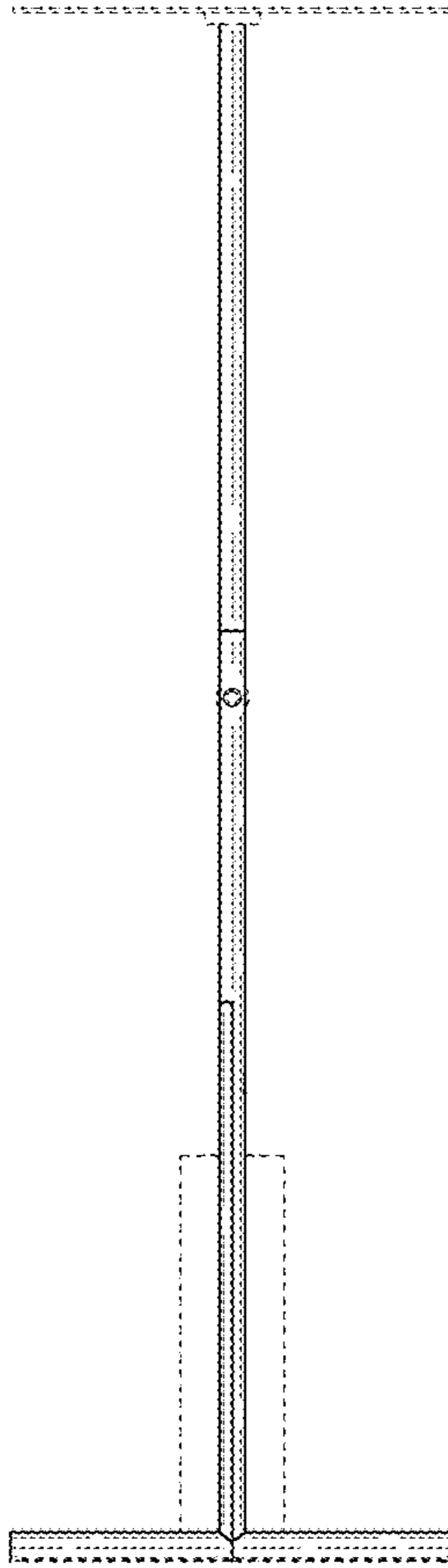


FIG. 5

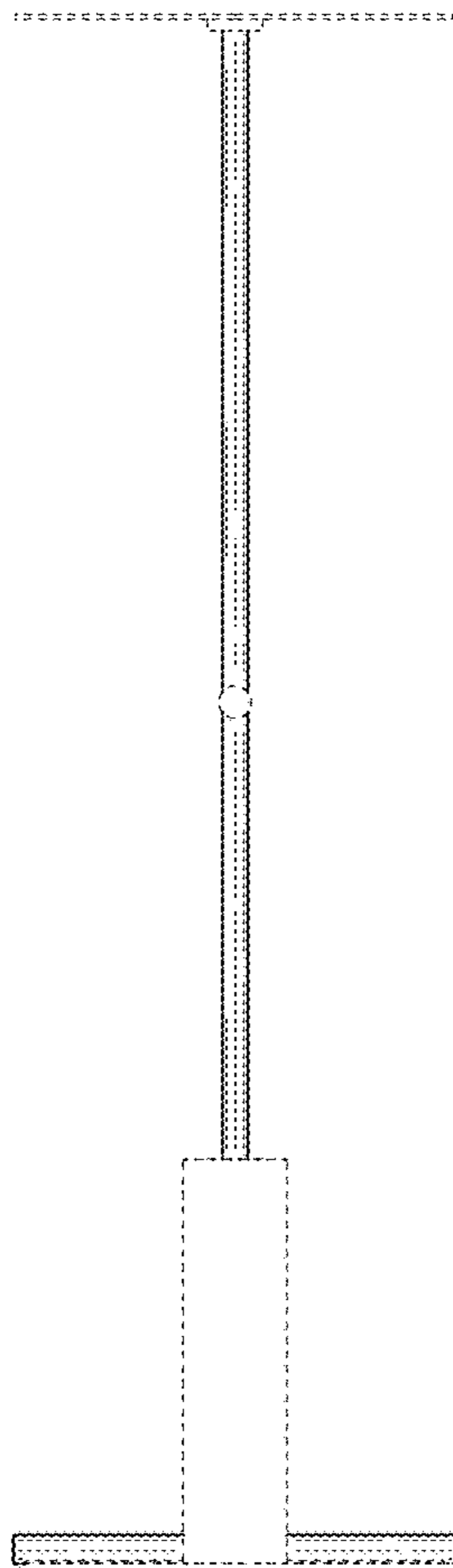


FIG. 6

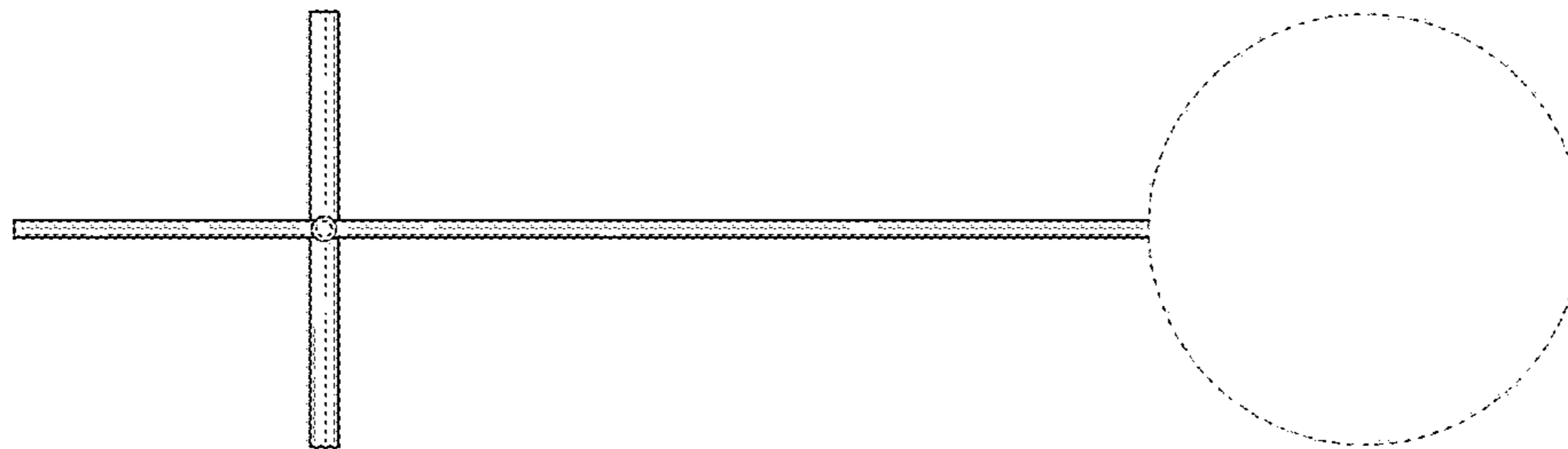


FIG. 7

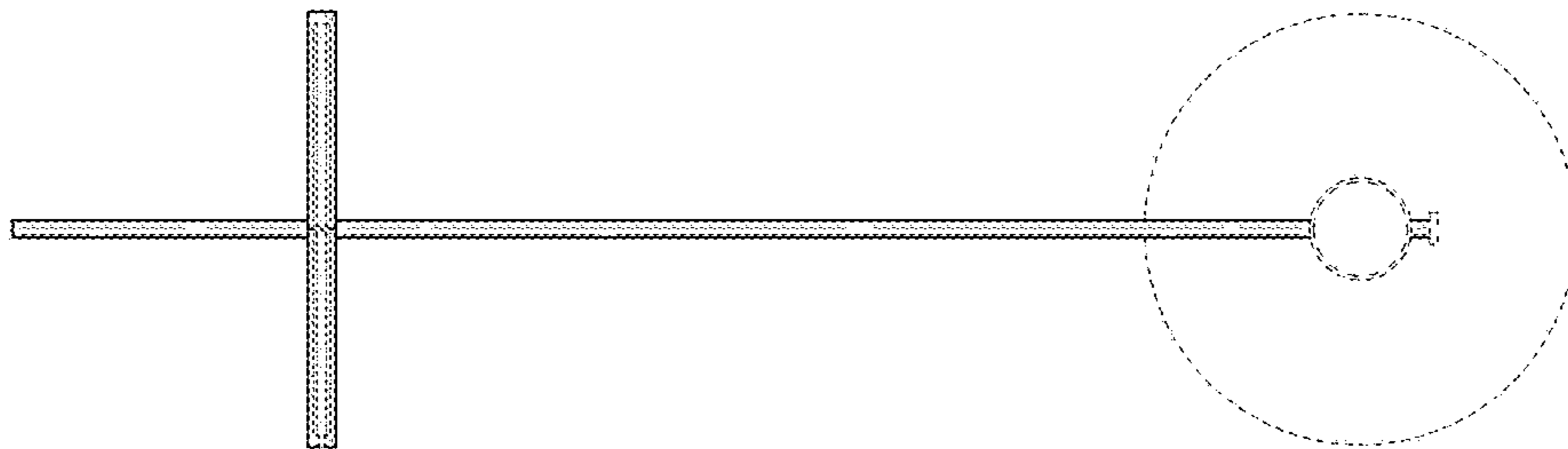


FIG. 8

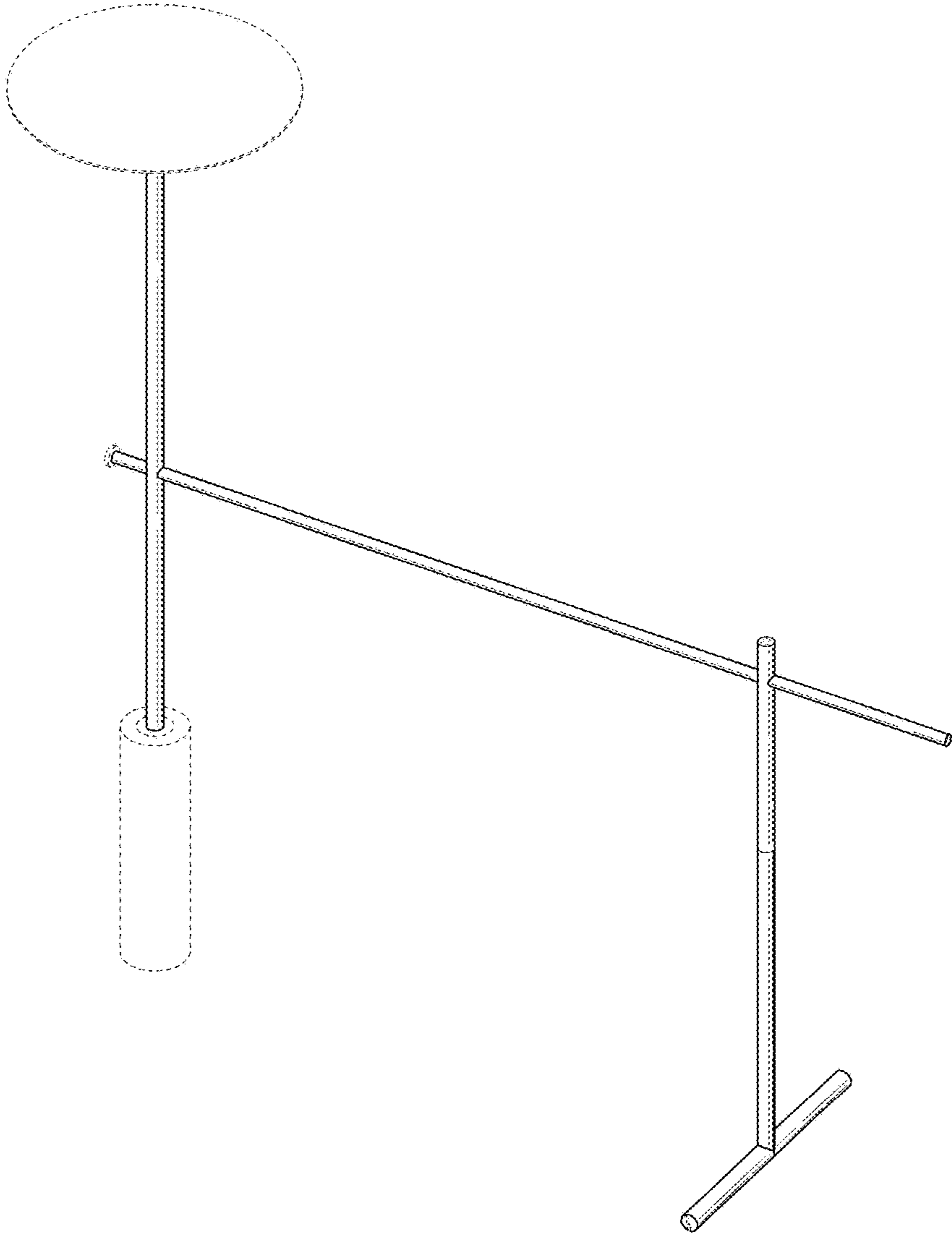


FIG. 9

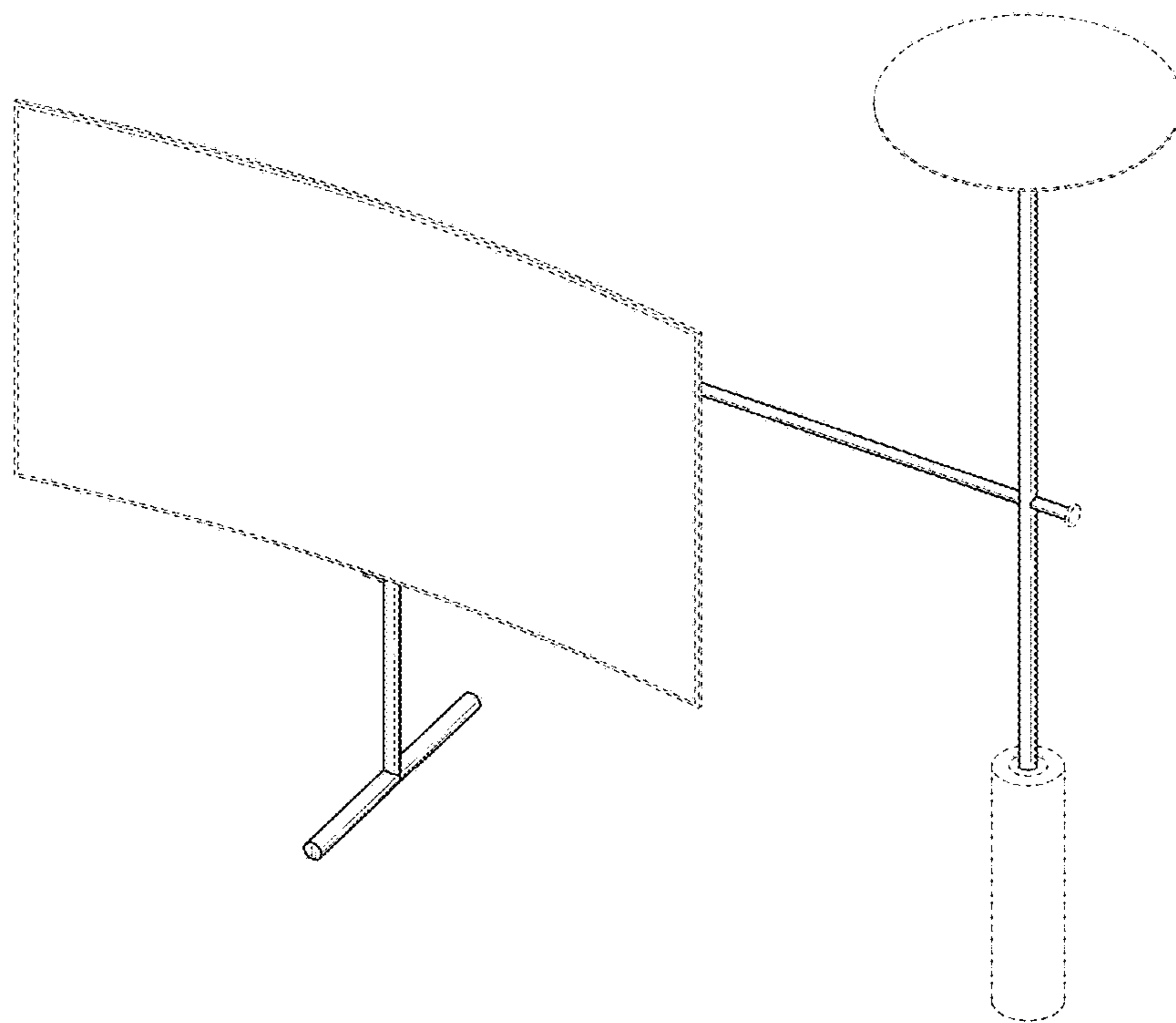


FIG. 10

