



US00D862430S

(12) **United States Design Patent** (10) **Patent No.:** **US D862,430 S**  
**Lee et al.** (45) **Date of Patent:** **\*\* Oct. 8, 2019**

(54) **TELEVISION RECEIVER**

FOREIGN PATENT DOCUMENTS

(71) Applicant: **Samsung Electronics Co., Ltd.**,  
Suwon-si (KR)

CN 303319608 8/2015  
CN 303409150 10/2015

(Continued)

(72) Inventors: **Seung-Ho Lee**, Guri-si (KR); **Jang-Ho Kim**, Seoul (KR); **Kyu-Bok Lee**, Seoul (KR)

*Primary Examiner* — Brett Miller

(74) *Attorney, Agent, or Firm* — McAndrews Held & Malloy, Ltd.

(73) Assignee: **SAMSUNG ELECTRONICS CO., LTD.**, Suwon-si (KR)

(57) **CLAIM**

The ornamental design for a television receiver, as shown and described.

(\*\*) Term: **15 Years**

(21) Appl. No.: **29/655,325**

**DESCRIPTION**

(22) Filed: **Jul. 2, 2018**

(30) **Foreign Application Priority Data**

Jan. 8, 2018 (KR) ..... 30-2018-0001282

(51) **LOC (12) Cl.** ..... **14-03**

(52) **U.S. Cl.**  
USPC ..... **D14/239**

(58) **Field of Classification Search**  
USPC ..... D14/371, 373-377, 382, 451, 126, 239,  
D14/125, 127, 129; D6/708, 708.16, 300,  
D6/308, 310-313, 691.6; D8/349, 354,  
D8/363, 373, 376, 380

CPC ..... G06F 1/1601; H04N 5/64; H04N 5/655;  
H05K 5/0017; H05K 5/0234

See application file for complete search history.

(56) **References Cited**

U.S. PATENT DOCUMENTS

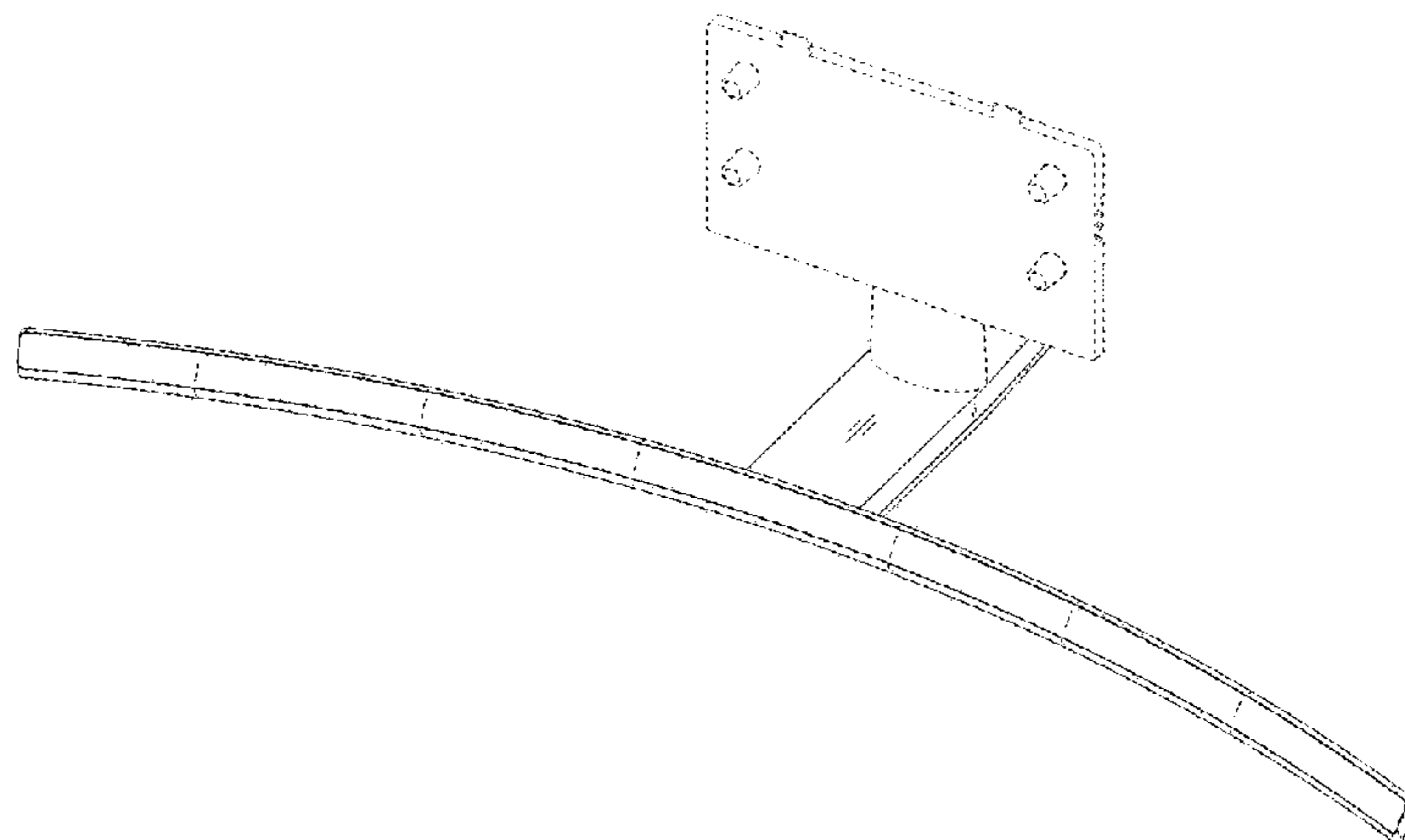
D780,138 S \* 2/2017 Lee ..... D14/126  
D798,254 S \* 9/2017 Kim ..... D14/126  
D800,101 S \* 10/2017 Park ..... D14/239  
D801,337 S \* 10/2017 Lee ..... D14/374  
D817,938 S \* 5/2018 Cho ..... D14/239

(Continued)

FIG. 1 is a front perspective view of a television receiver showing our new design;  
FIG. 2 is a front elevation view thereof;  
FIG. 3 is a rear elevation view thereof;  
FIG. 4 is a left side elevation view thereof;  
FIG. 5 is a right side elevation view thereof;  
FIG. 6 is a top plan view thereof;  
FIG. 7 is a bottom plan view thereof;  
FIG. 8 is a rear perspective view thereof;  
FIG. 9 is another front perspective view thereof showing the stand portion of the television receiver separately for clarity of illustration;  
FIG. 10 is a front elevation view of FIG. 9;  
FIG. 11 is a rear elevation view of FIG. 9;  
FIG. 12 is a left-side elevation view of FIG. 9;  
FIG. 13 is a right-side elevation view of FIG. 9;  
FIG. 14 is a top plan view of FIG. 9;  
FIG. 15 is a bottom plan view of FIG. 9; and,  
FIG. 16 is a rear perspective view of FIG. 9.

The evenly dashed broken lines immediately adjacent the shaded areas define the bounds of the claimed design while all other evenly dashed broken lines are directed to environment and are for illustrative purposes only; the evenly dashed broken lines form no part of the claimed design.

**1 Claim, 16 Drawing Sheets**



(56)

**References Cited**

U.S. PATENT DOCUMENTS

D822,012 S \* 7/2018 Lee ..... D14/239  
D824,890 S \* 8/2018 Kim ..... D14/239  
D824,891 S \* 8/2018 Kim ..... D14/239  
2006/0237599 A1\* 10/2006 Ternus ..... F16M 11/10  
248/176.1

FOREIGN PATENT DOCUMENTS

CN 303479199 12/2015  
KR 300729211 5/2014  
KR 300767258 10/2014

\* cited by examiner

FIG. 1

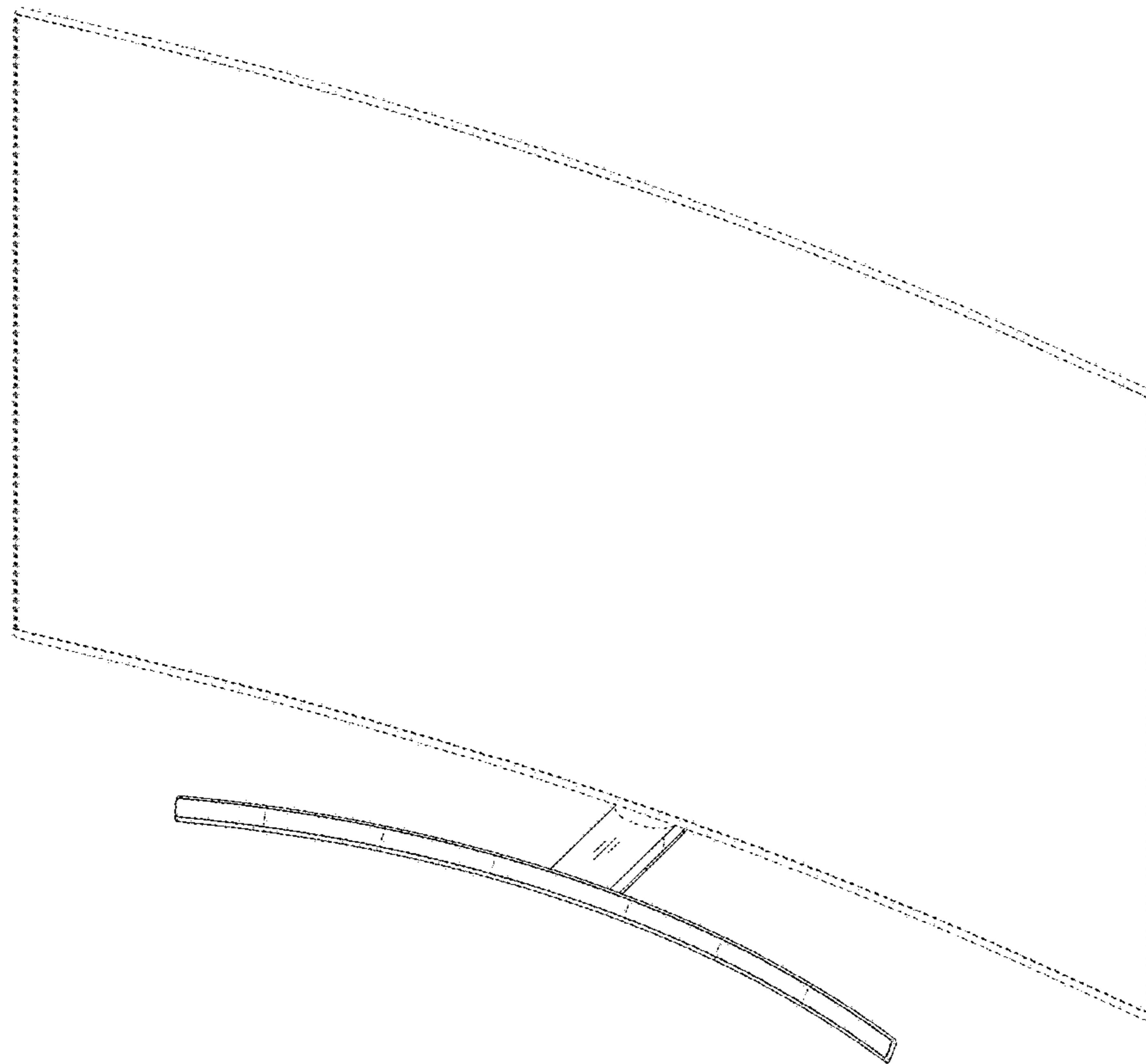


FIG. 2

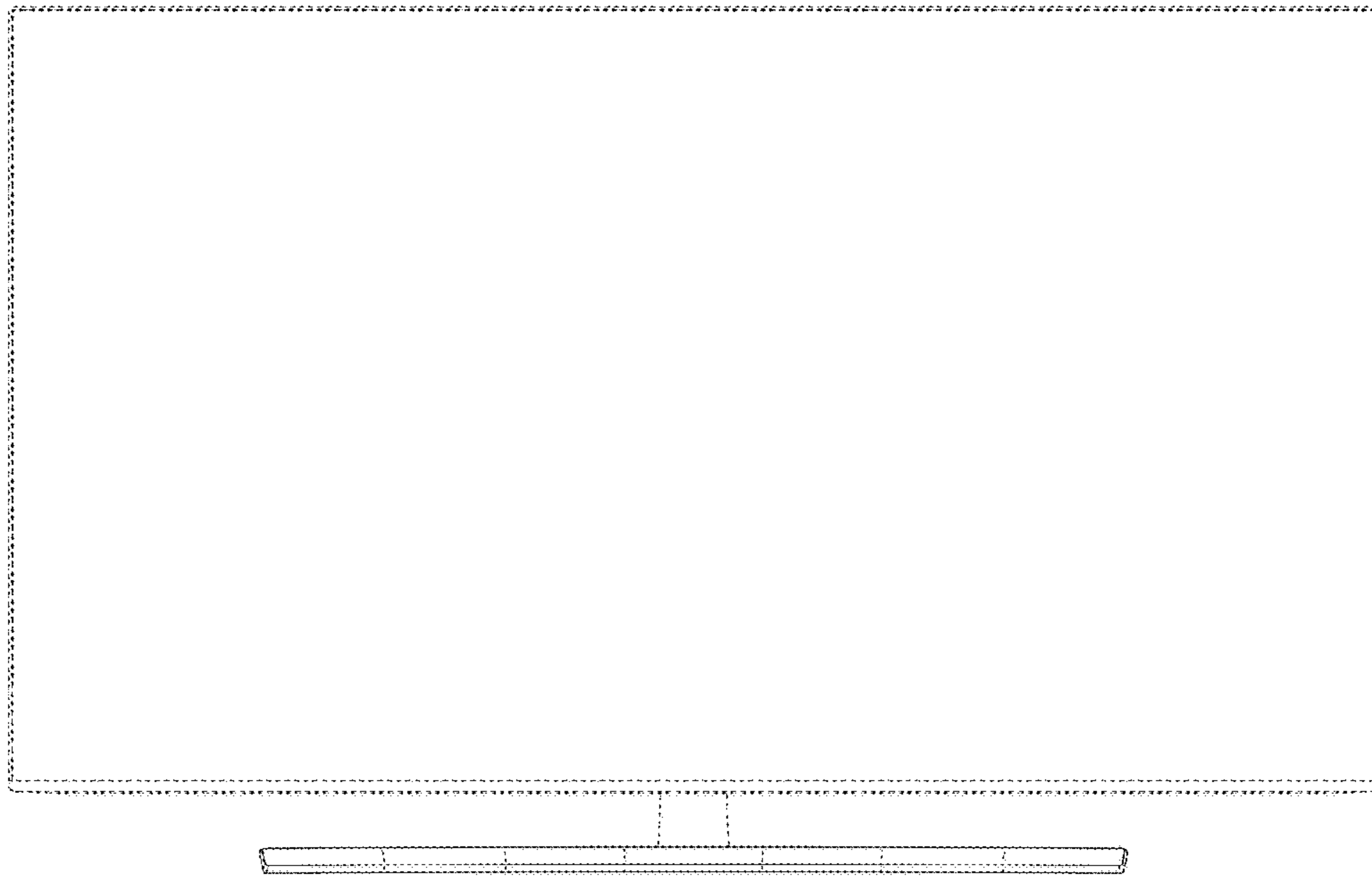


FIG. 3

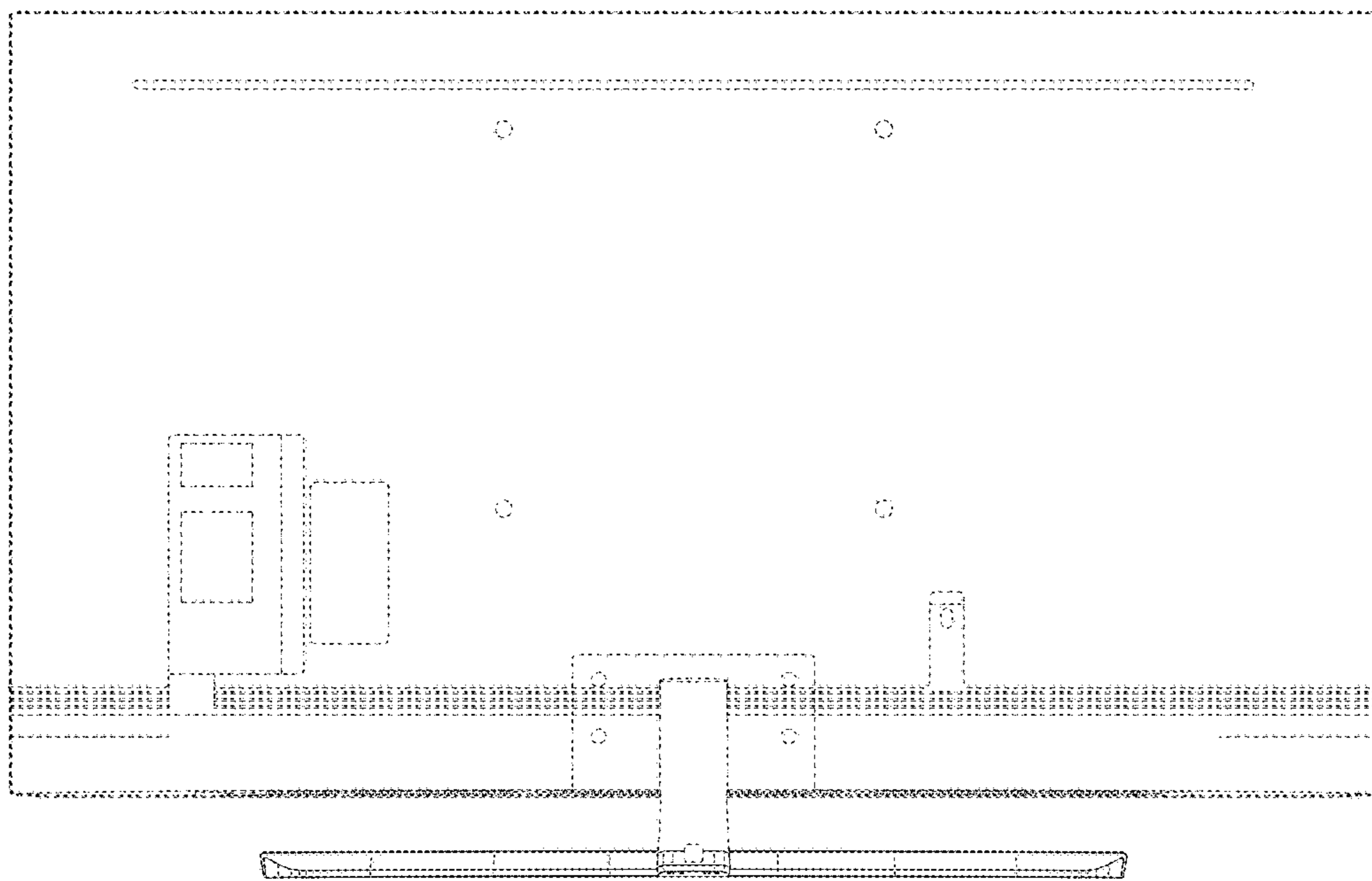


FIG. 4

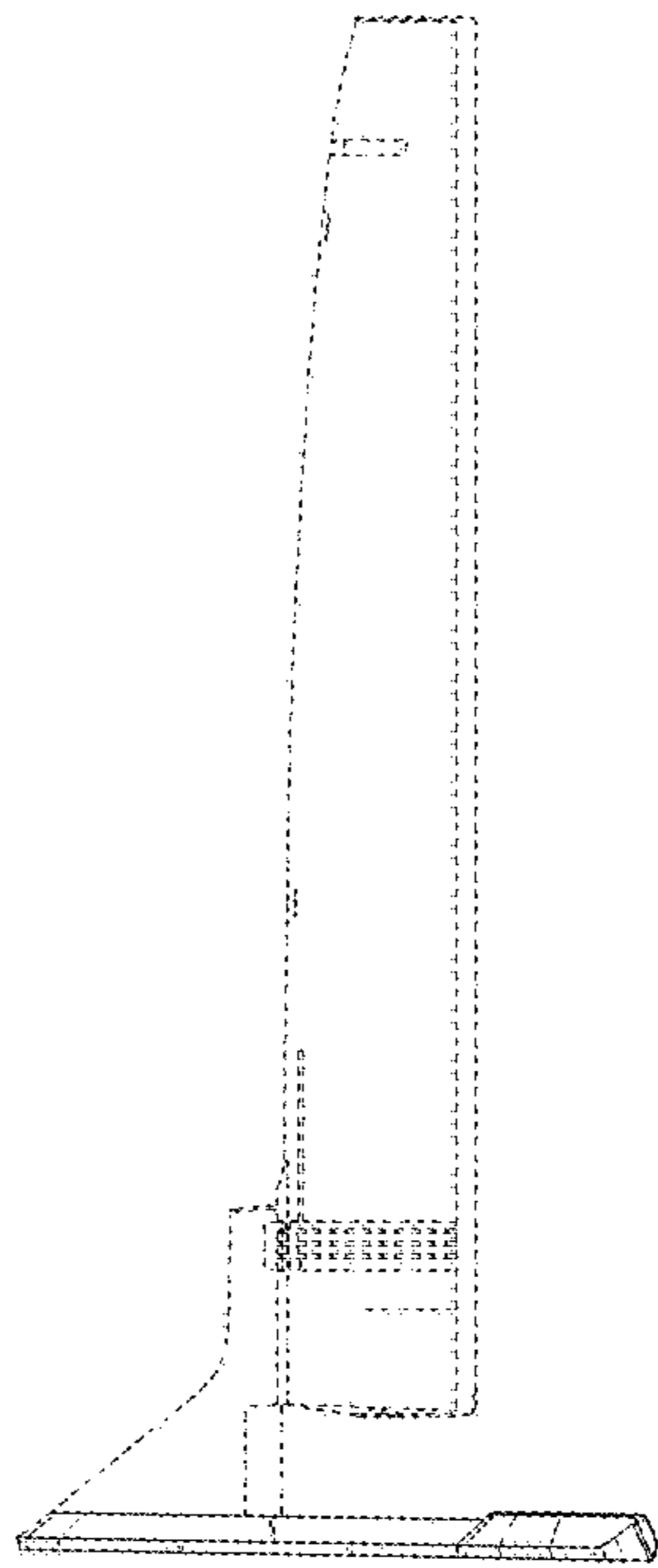


FIG. 5

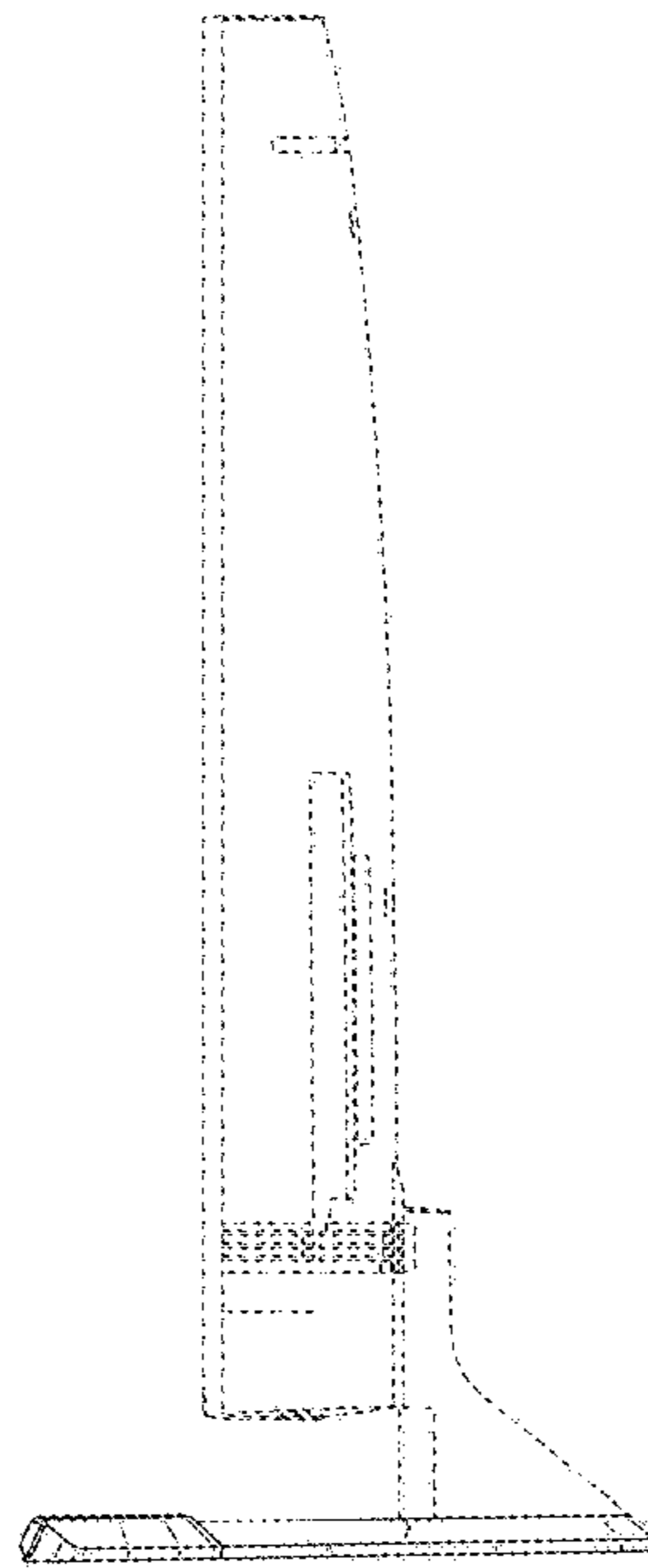


FIG. 6

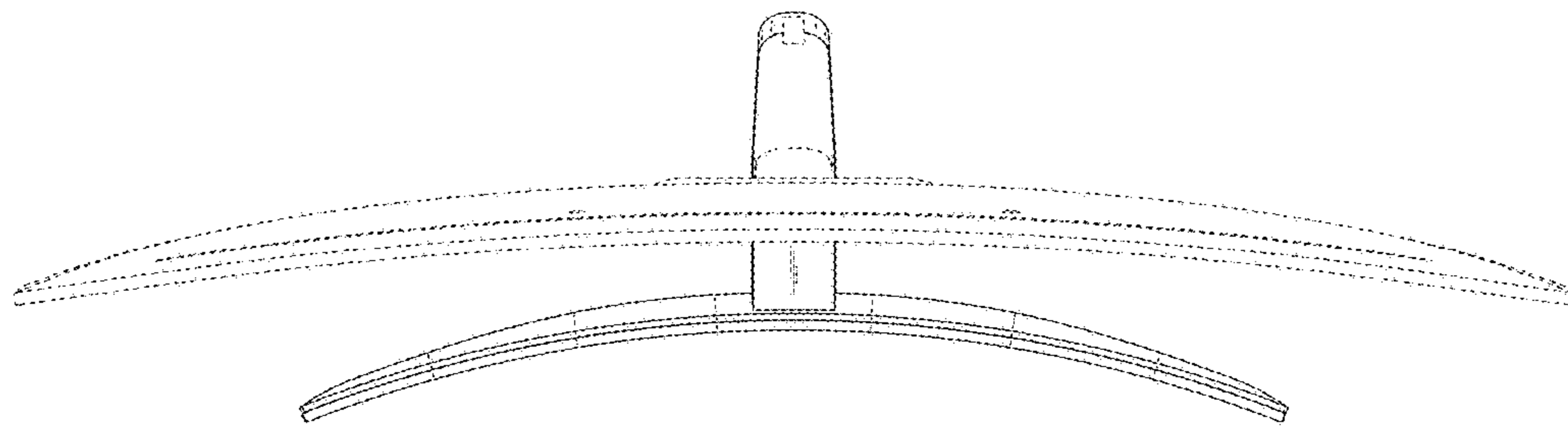




FIG. 7

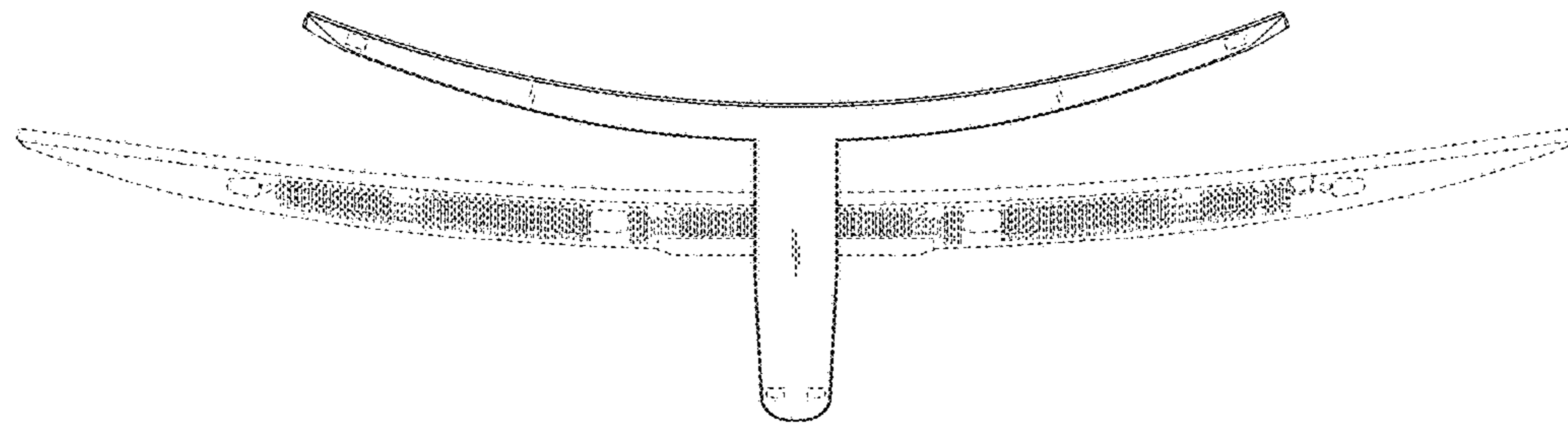


FIG. 8

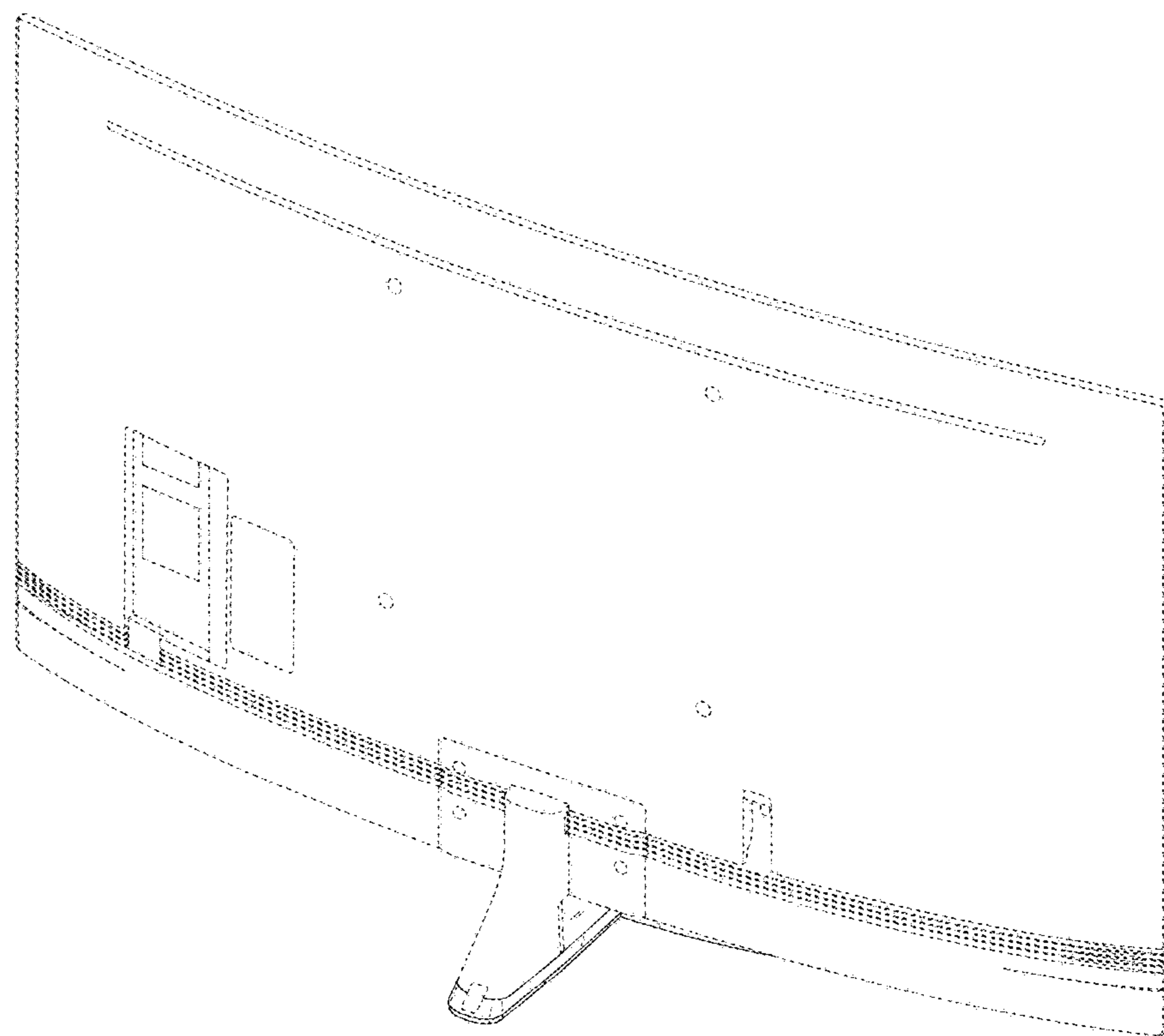


FIG. 9

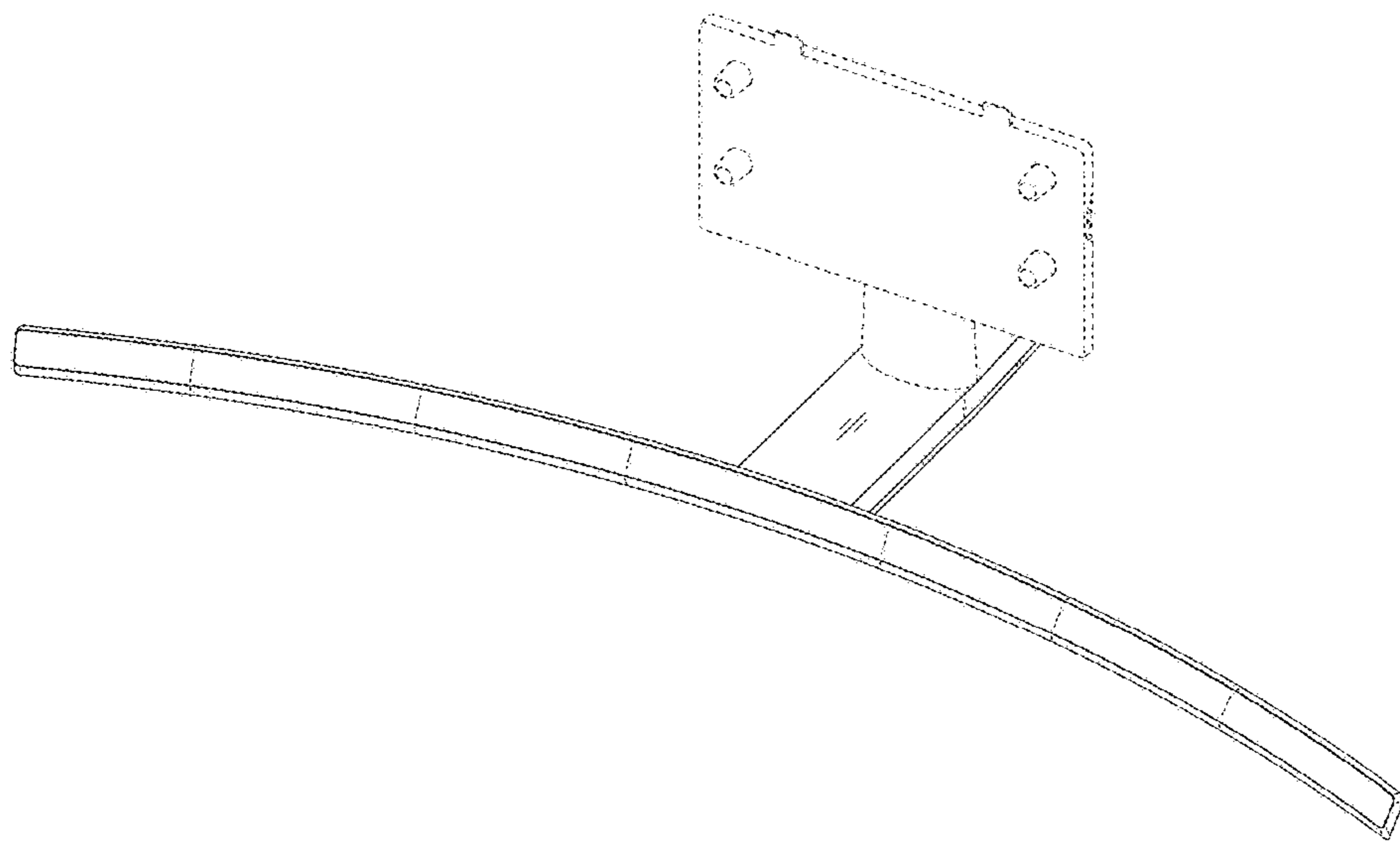


FIG. 10

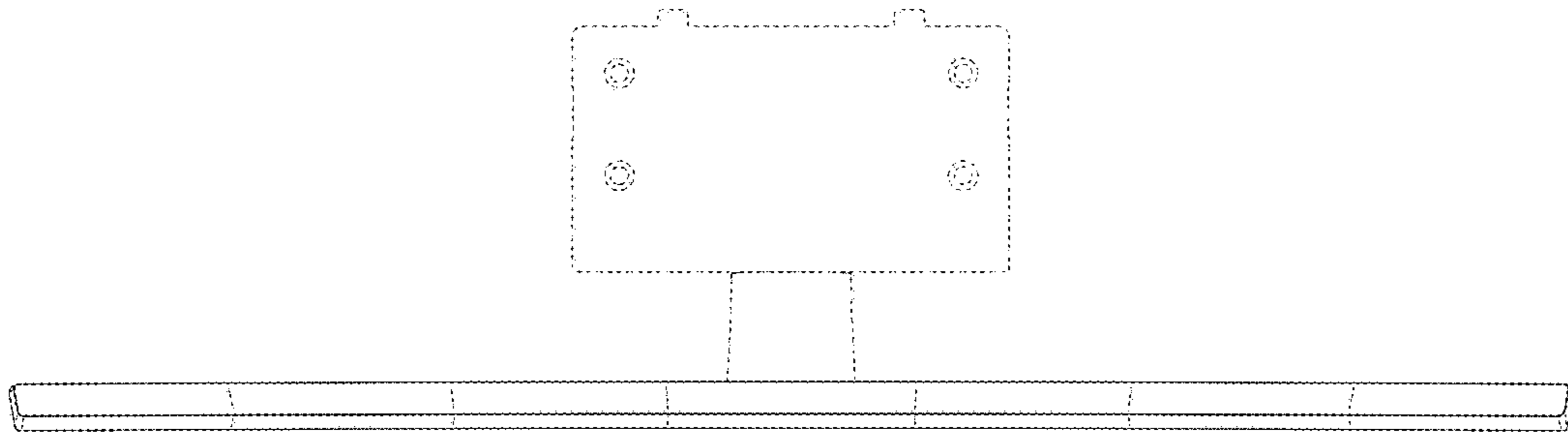


FIG. 11

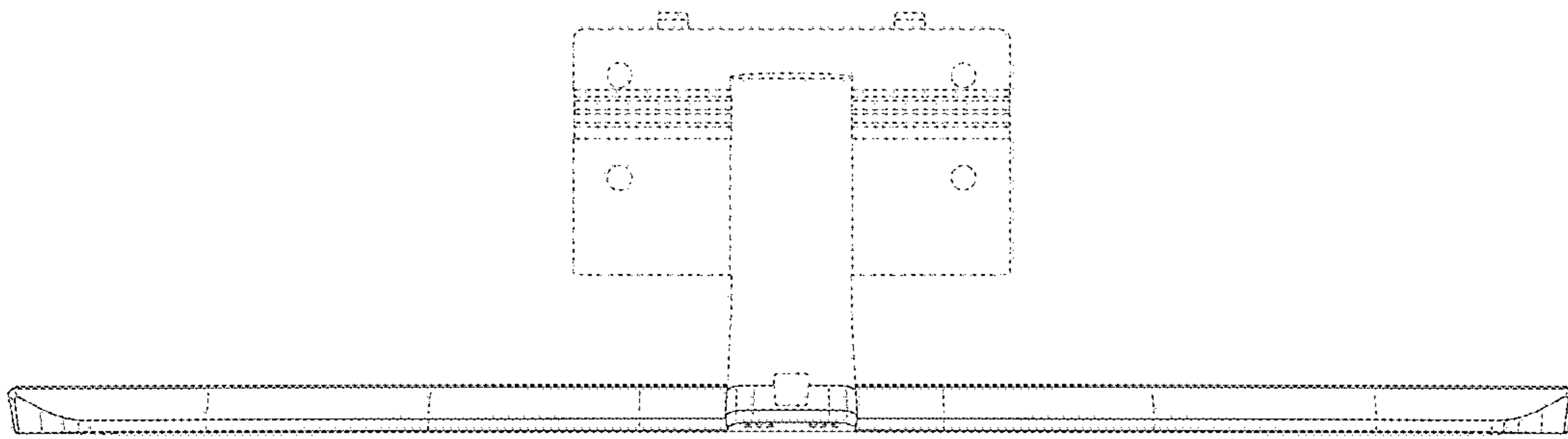


FIG. 12

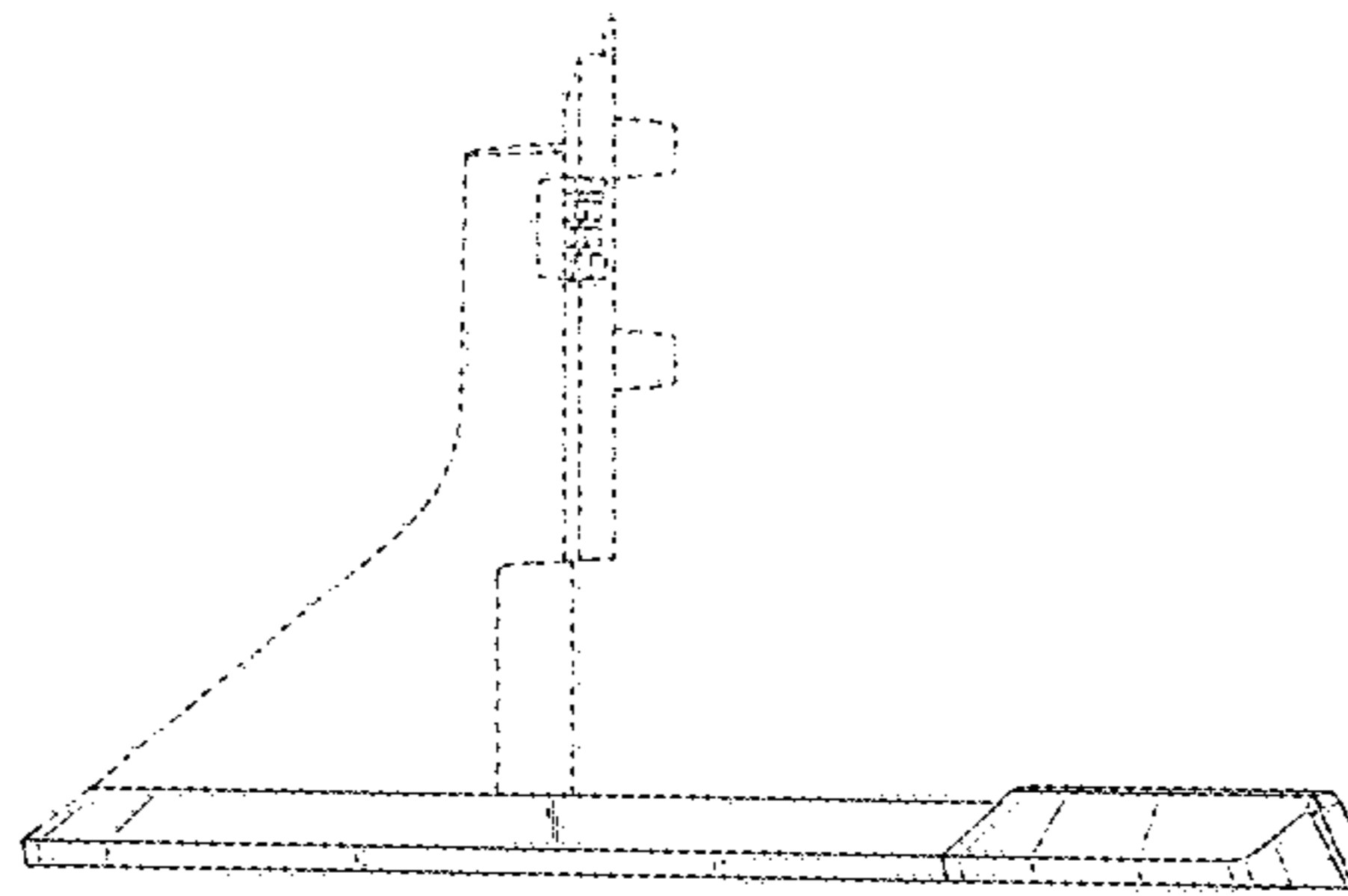


FIG. 13

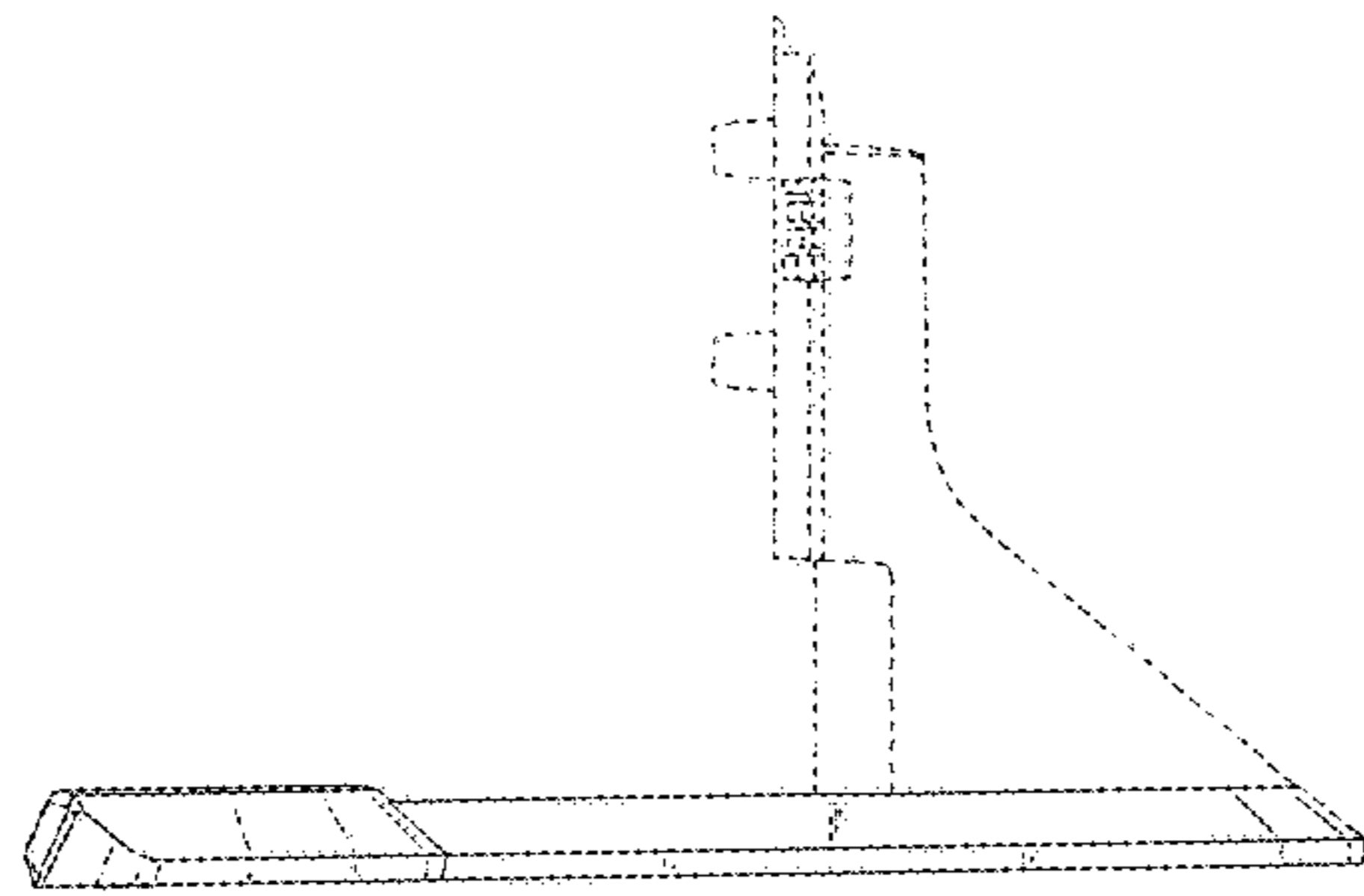


FIG. 14

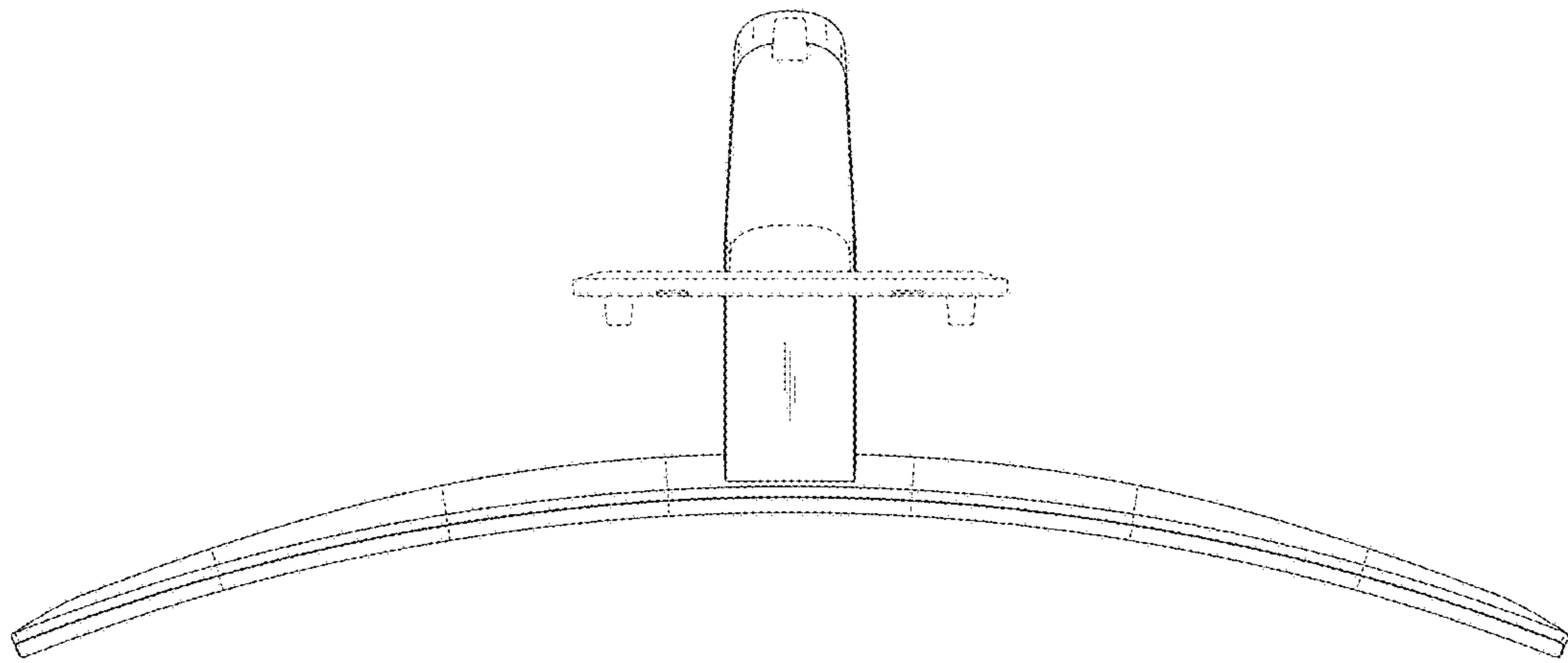




FIG. 15

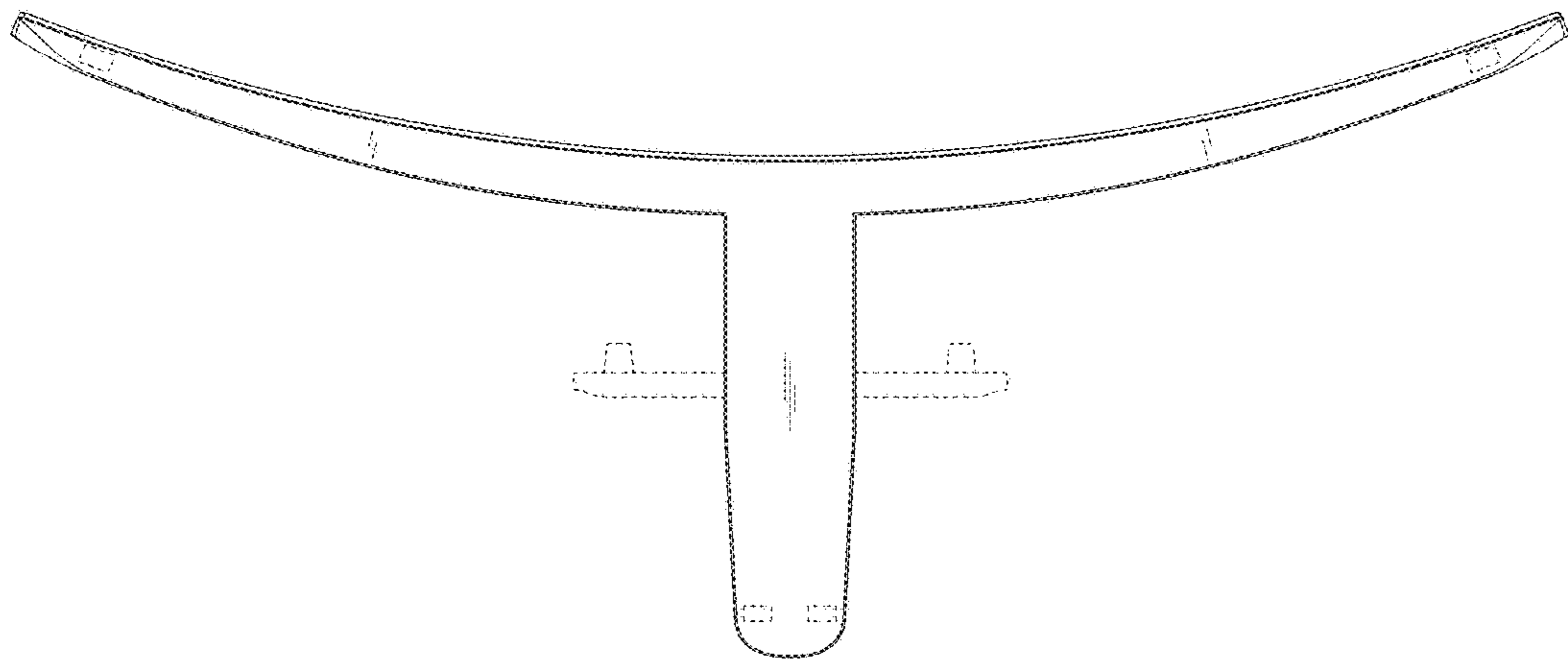


FIG. 16

