

US00D862429S

(12) **United States Design Patent**
Lee et al.

(10) **Patent No.:** **US D862,429 S**
(45) **Date of Patent:** **** Oct. 8, 2019**

(54) **TELEVISION RECEIVER**

FOREIGN PATENT DOCUMENTS

(71) Applicant: **Samsung Electronics Co., Ltd.**,
Suwon-si (KR)

DM 085963 4/2015
EM 002292565-0003 9/2013

(Continued)

(72) Inventors: **Seung-Ho Lee**, Guri-si (KR); **Jang-Ho Kim**, Seoul (KR); **Kyu-Bok Lee**, Seoul (KR)

Primary Examiner — Brett Miller

(74) *Attorney, Agent, or Firm* — McAndrews Held & Malloy, Ltd.

(73) Assignee: **SAMSUNG ELECTRONICS CO., LTD.**, Suwon-si (KR)

(57) **CLAIM**

The ornamental design for a television receiver, as shown and described.

(**) Term: **15 Years**

(21) Appl. No.: **29/655,321**

DESCRIPTION

(22) Filed: **Jul. 2, 2018**

(30) **Foreign Application Priority Data**

Jan. 8, 2018 (KR) 30-2018-0001281

(51) **LOC (12) Cl.** **14-03**

(52) **U.S. Cl.**
USPC **D14/239**

(58) **Field of Classification Search**
USPC D14/371, 373-377, 382, 451, 126, 239,
D14/125, 127, 129; D6/708, 708.16, 300,
D6/308, 310-313, 691.6; D8/349, 354,
D8/363, 373, 376, 380

CPC G06F 1/1601; H04N 5/64; H04N 5/655;
H05K 5/0017; H05K 5/0234

See application file for complete search history.

(56) **References Cited**

U.S. PATENT DOCUMENTS

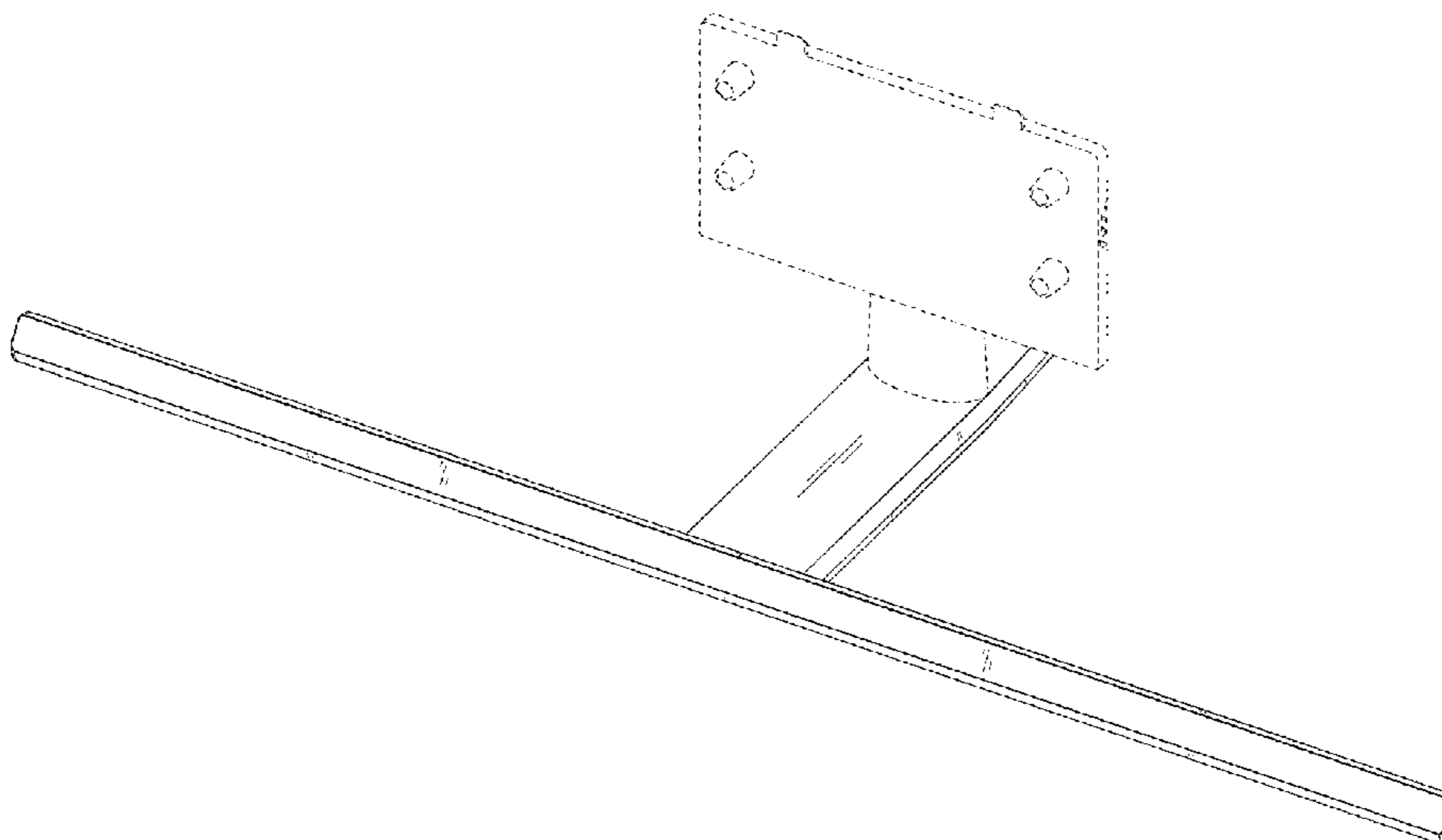
D728,499 S * 5/2015 Park D14/126
D742,378 S * 11/2015 Jung D14/374
D747,300 S * 1/2016 Kim D14/239
D760,224 S * 6/2016 Lee D14/371
D780,138 S * 2/2017 Lee D14/126

(Continued)

FIG. 1 is a front perspective view of a television receiver showing our new design;
FIG. 2 is a front elevation view thereof;
FIG. 3 is a rear elevation view thereof;
FIG. 4 is a left side elevation view thereof;
FIG. 5 is a right side elevation view thereof;
FIG. 6 is a top plan view thereof;
FIG. 7 is a bottom plan view thereof;
FIG. 8 is a rear perspective view thereof;
FIG. 9 is another front perspective view thereof showing the stand portion of the television receiver separately for clarity of illustration;
FIG. 10 is a front elevation view of FIG. 9;
FIG. 11 is a rear elevation view of FIG. 9;
FIG. 12 is a left-side elevation view of FIG. 9;
FIG. 13 is a right-side elevation view of FIG. 9;
FIG. 14 is a top plan view of FIG. 9;
FIG. 15 is a bottom plan view of FIG. 9; and,
FIG. 16 is a rear perspective view of FIG. 9.

The evenly dashed broken lines immediately adjacent the shaded areas define the bounds of the claimed design while all other evenly dashed broken lines are directed to environment and are for illustrative purposes only; the evenly dashed broken lines form no part of the claimed design.

1 Claim, 16 Drawing Sheets



(56)

References Cited

U.S. PATENT DOCUMENTS

D799,459 S	*	10/2017	Lee	D14/239
D800,101 S	*	10/2017	Park	D14/239
D801,337 S	*	10/2017	Lee	D14/374
D817,938 S	*	5/2018	Cho	D14/239
D831,647 S	*	10/2018	Woo	D14/374

FOREIGN PATENT DOCUMENTS

KR	300685219	3/2013
KR	300767258	10/2014
KR	300771913	3/2015

* cited by examiner

FIG. 1

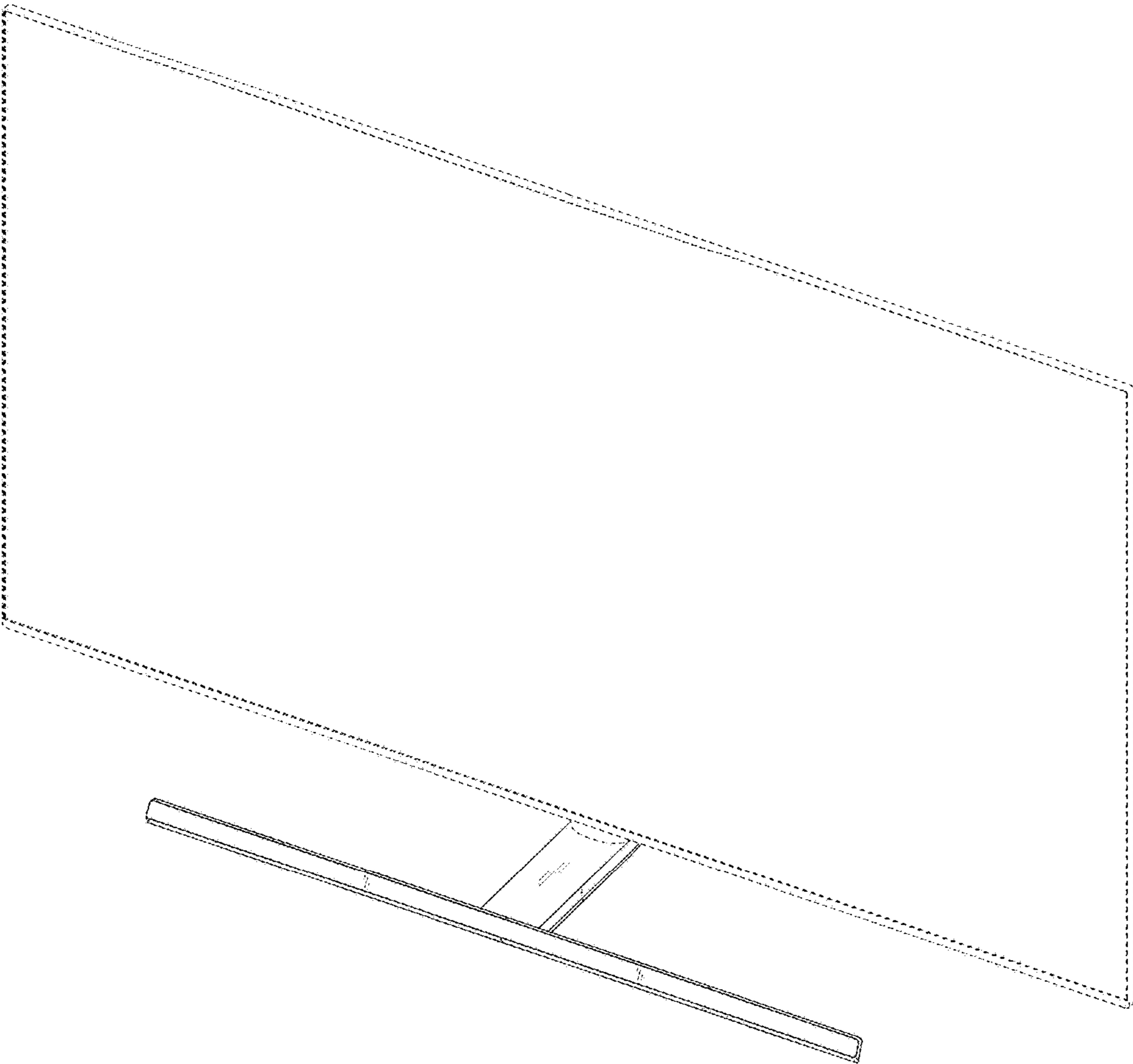


FIG. 2

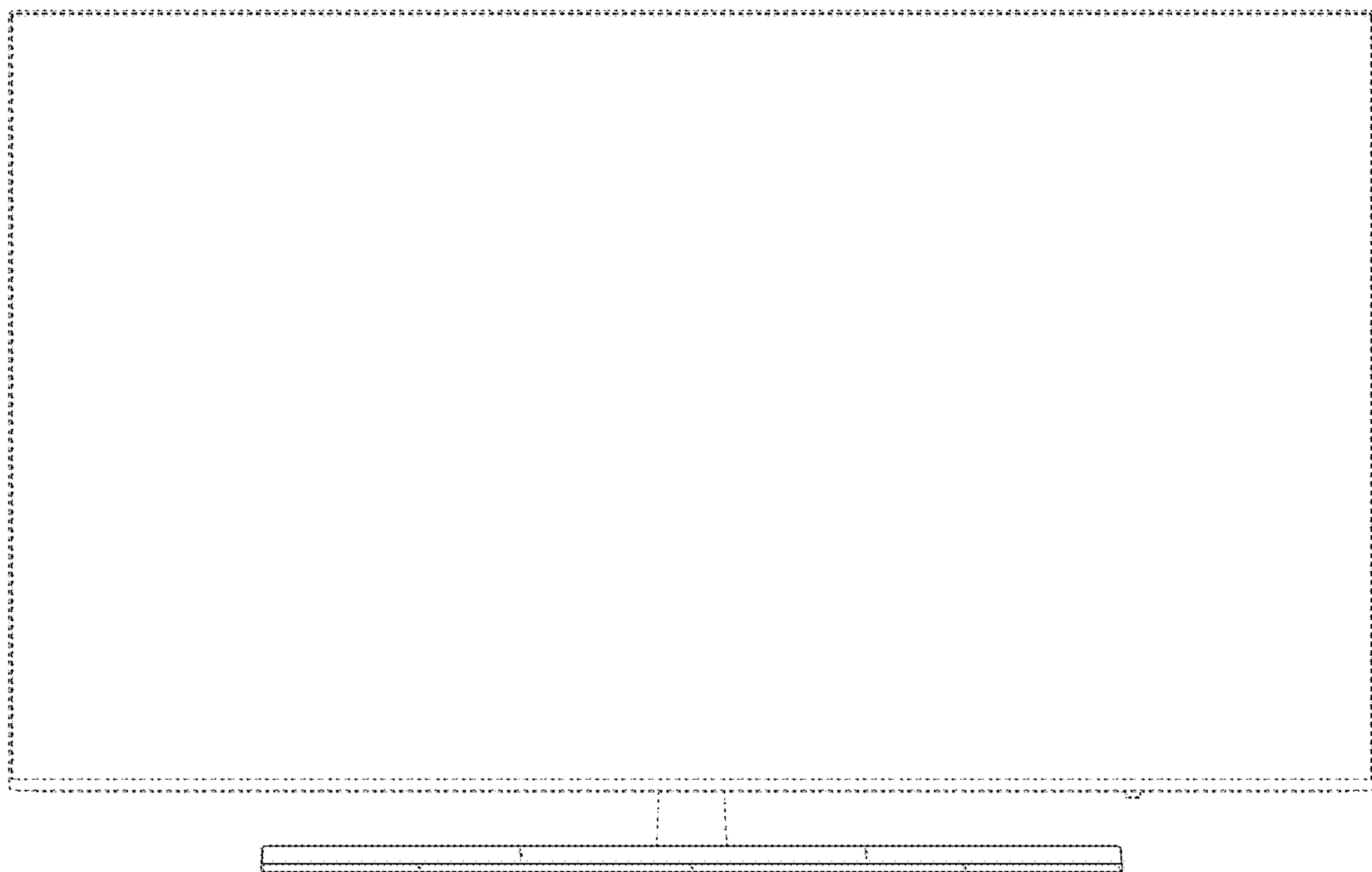


FIG. 3

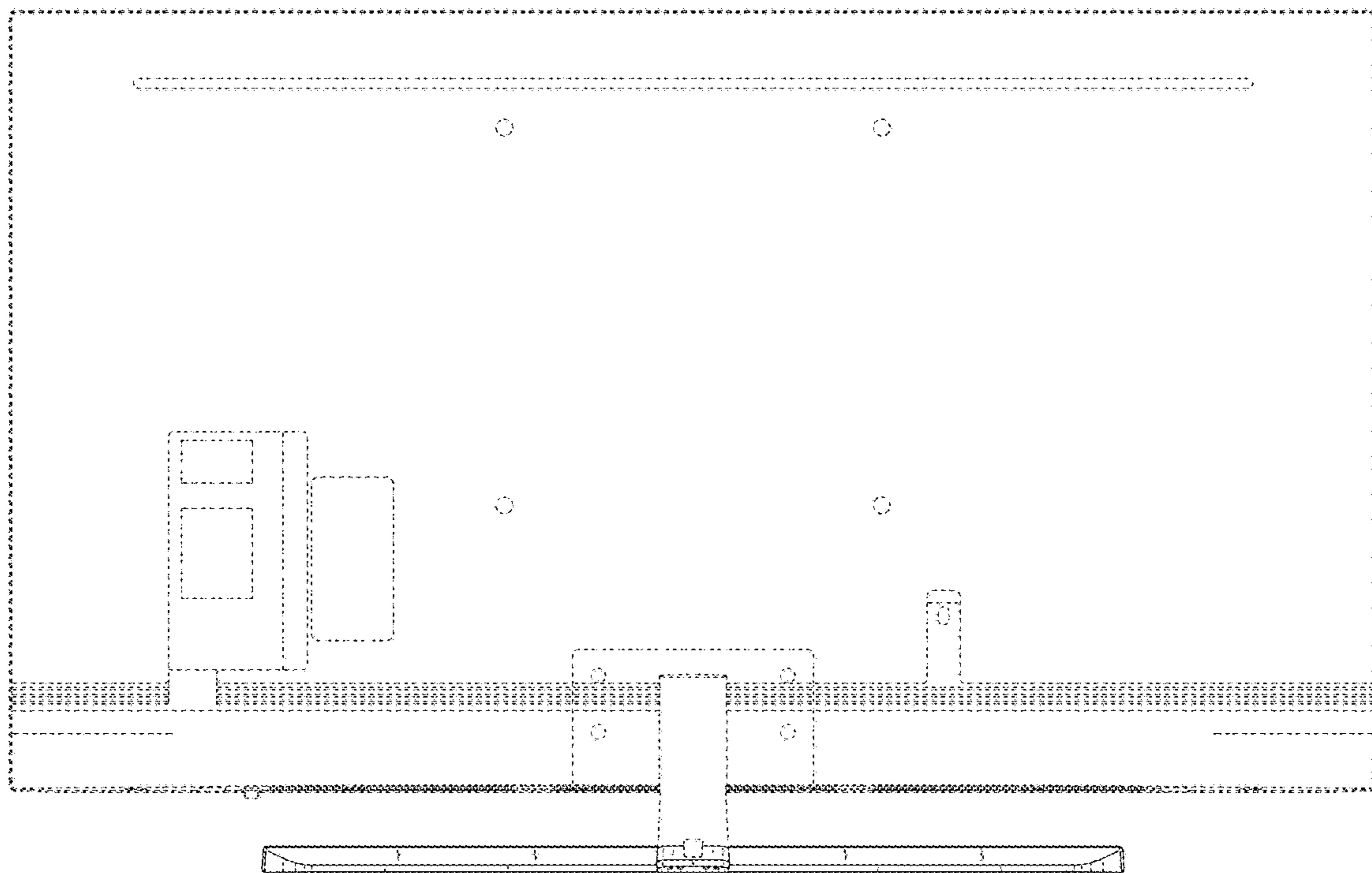


FIG. 4

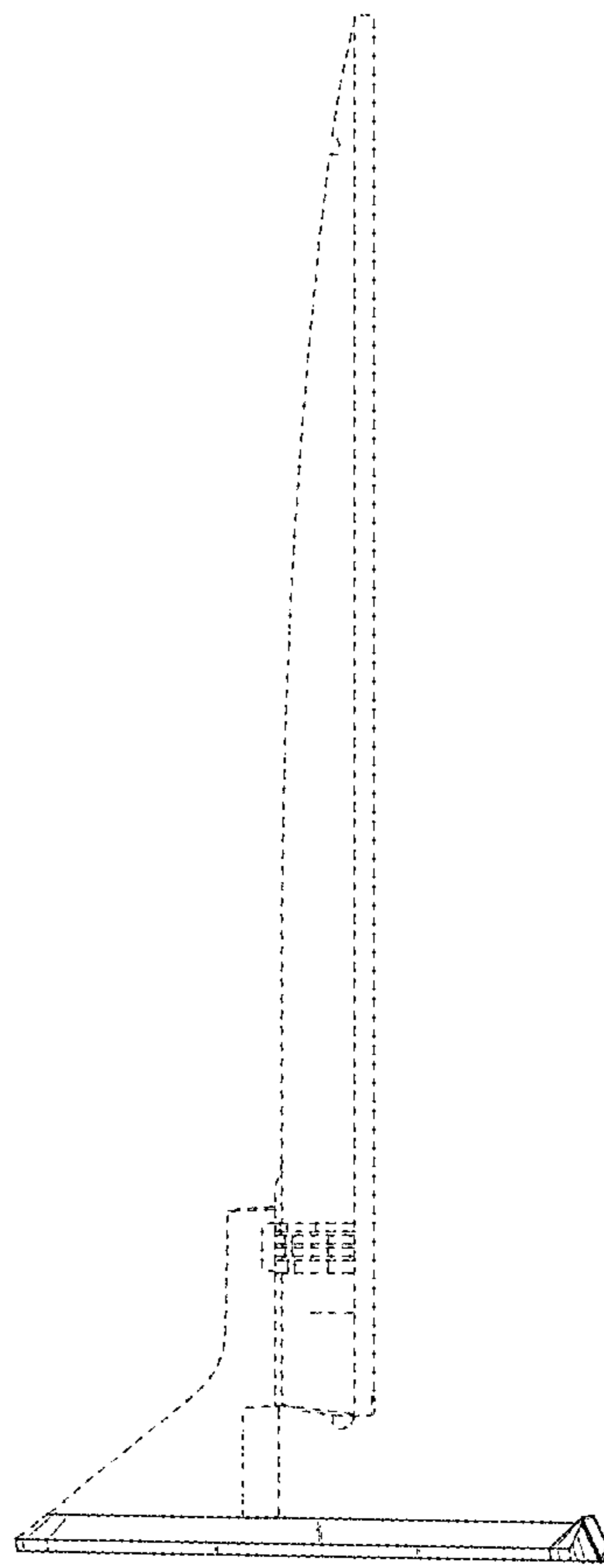


FIG. 5

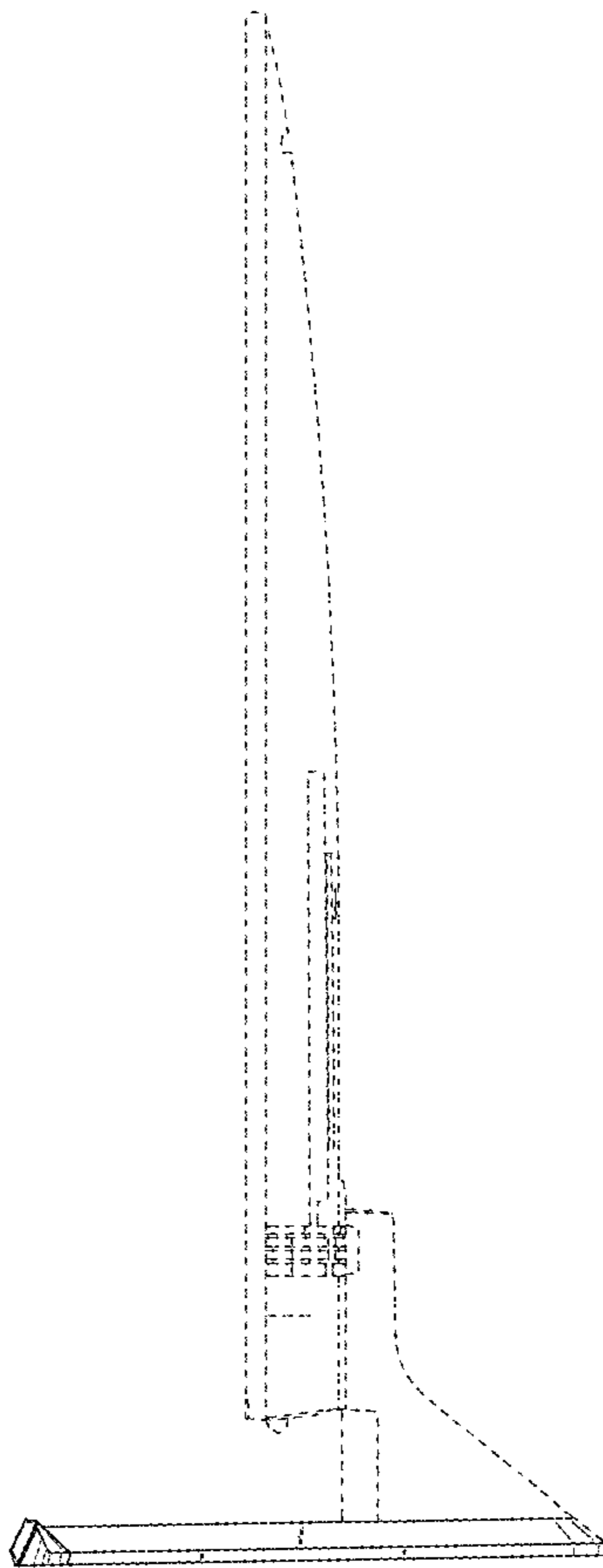


FIG. 6

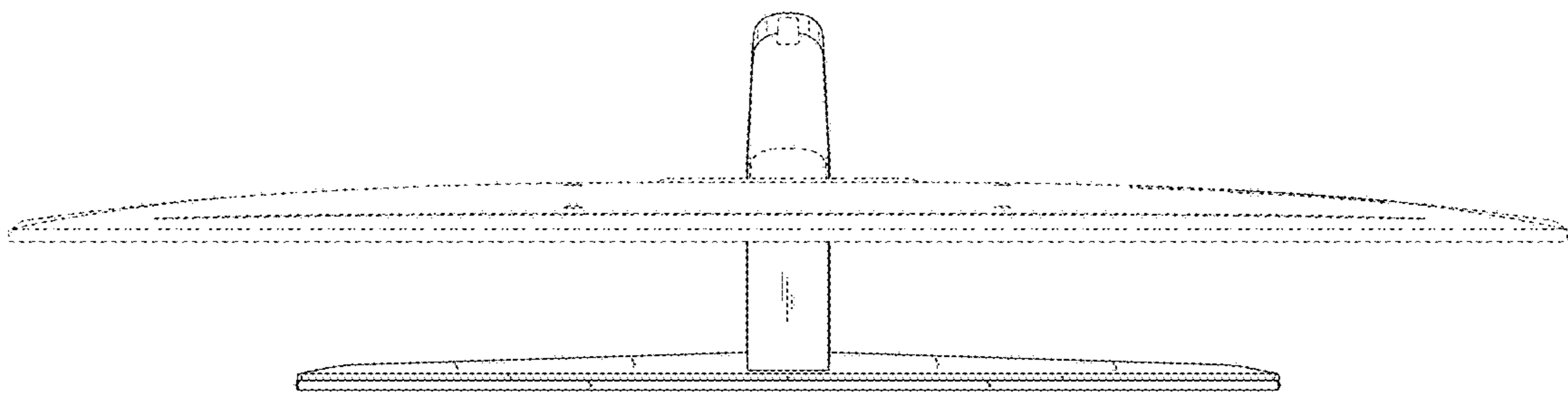


FIG. 7

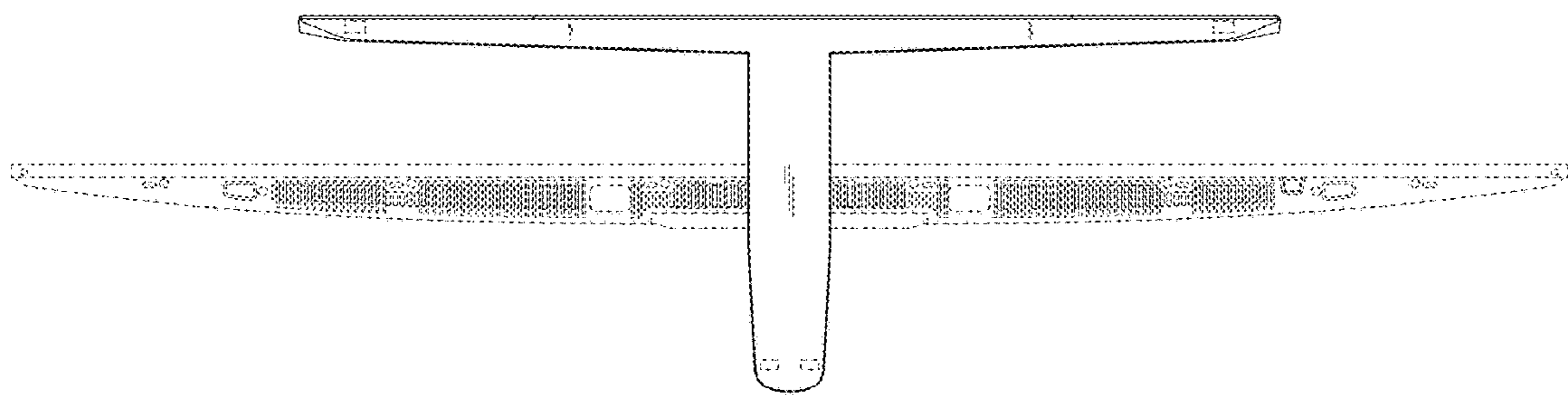


FIG. 8

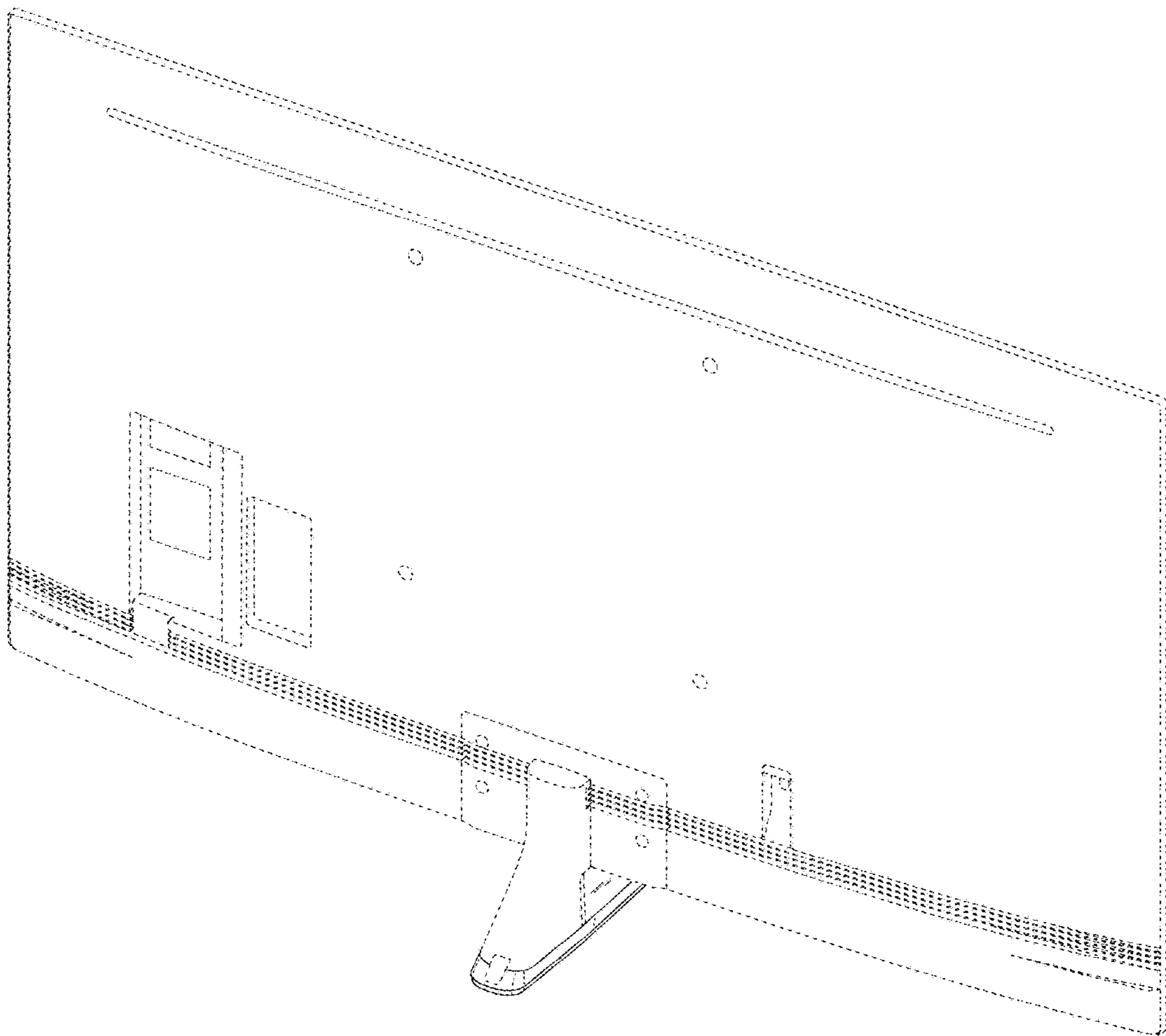


FIG. 9

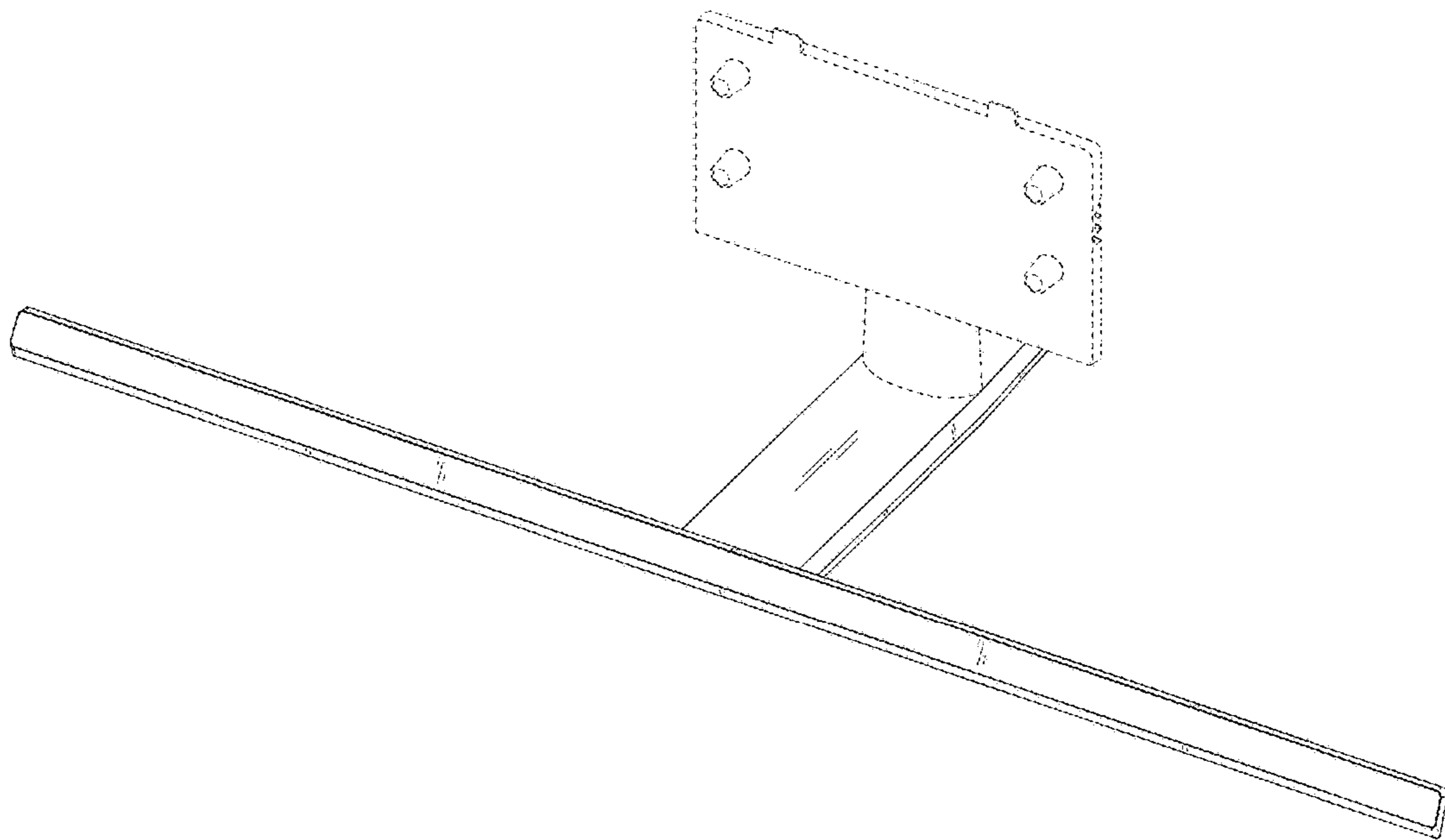


FIG. 10

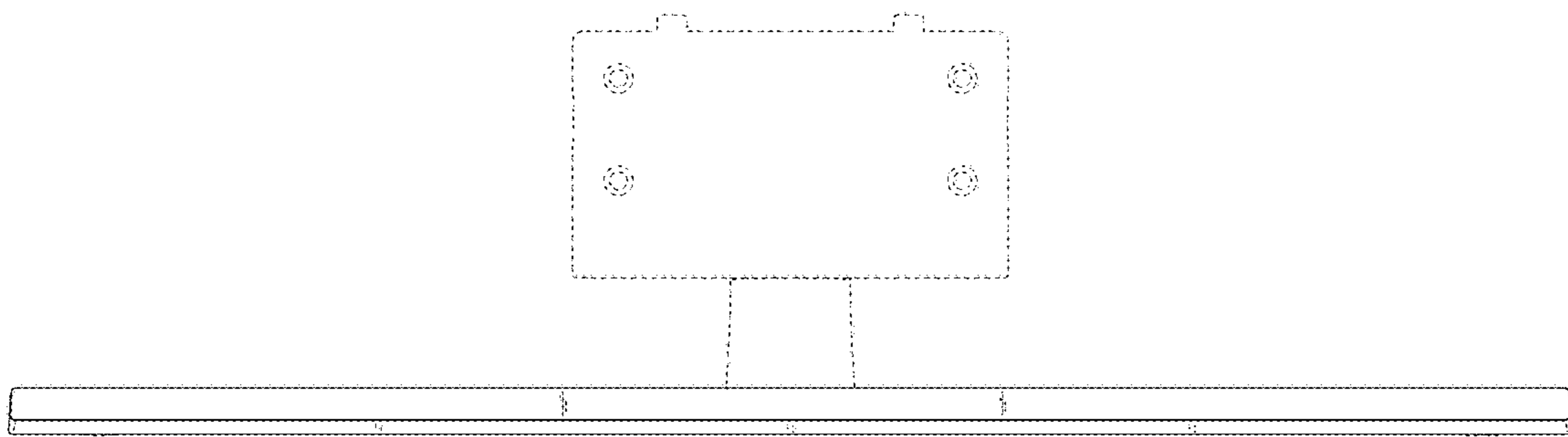


FIG. 11

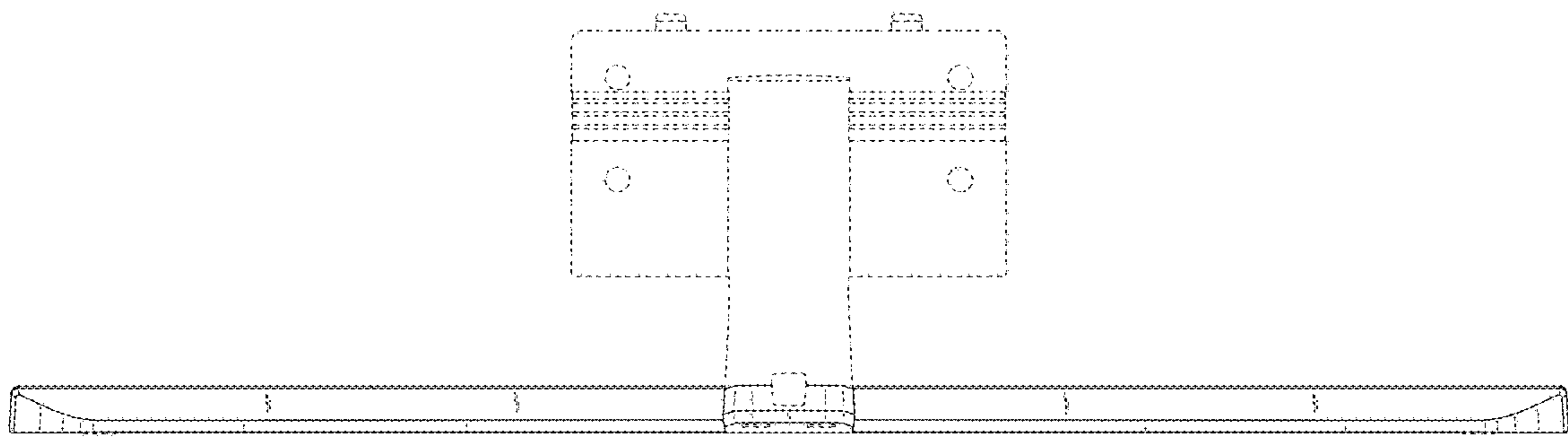


FIG. 12

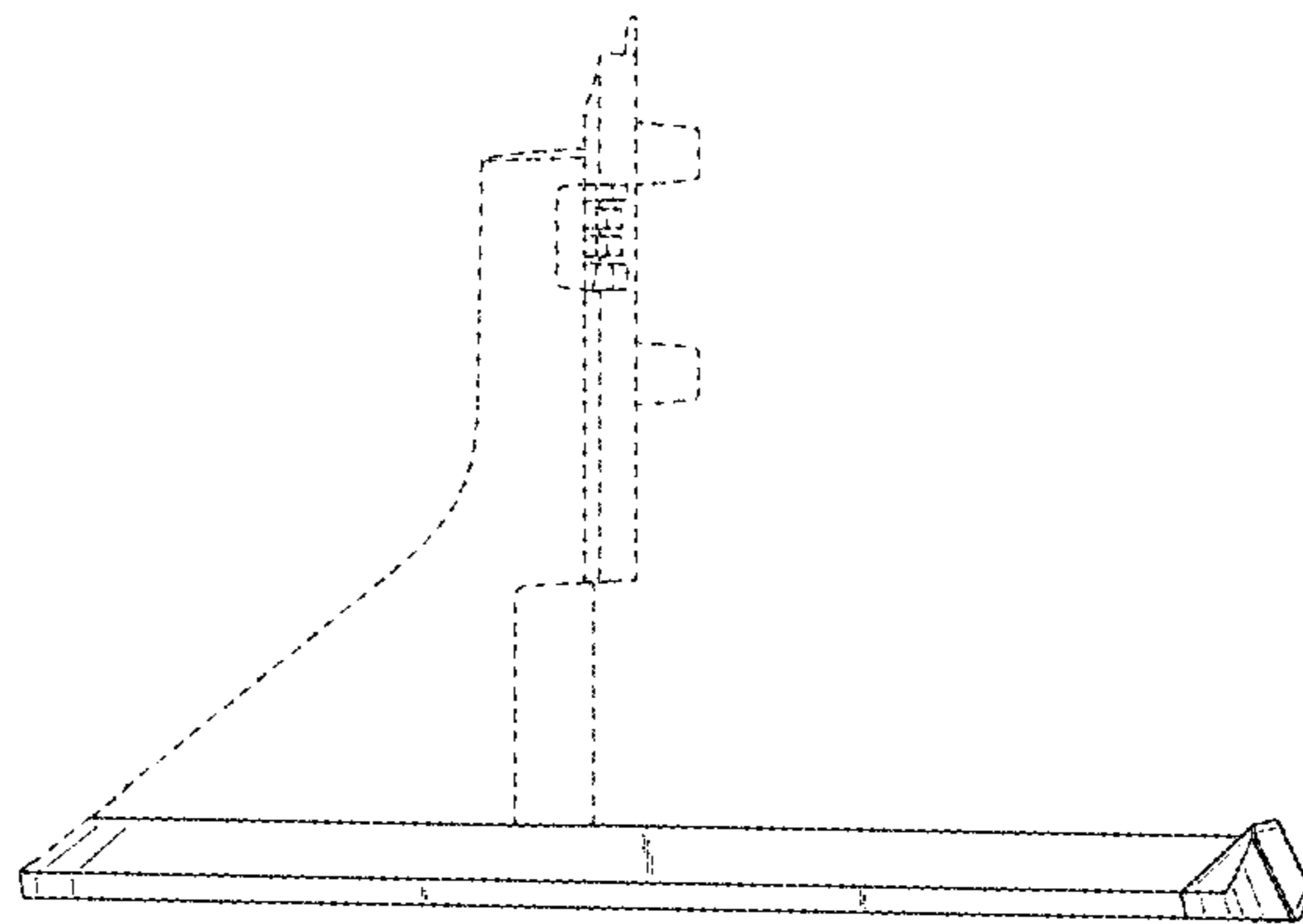


FIG. 13

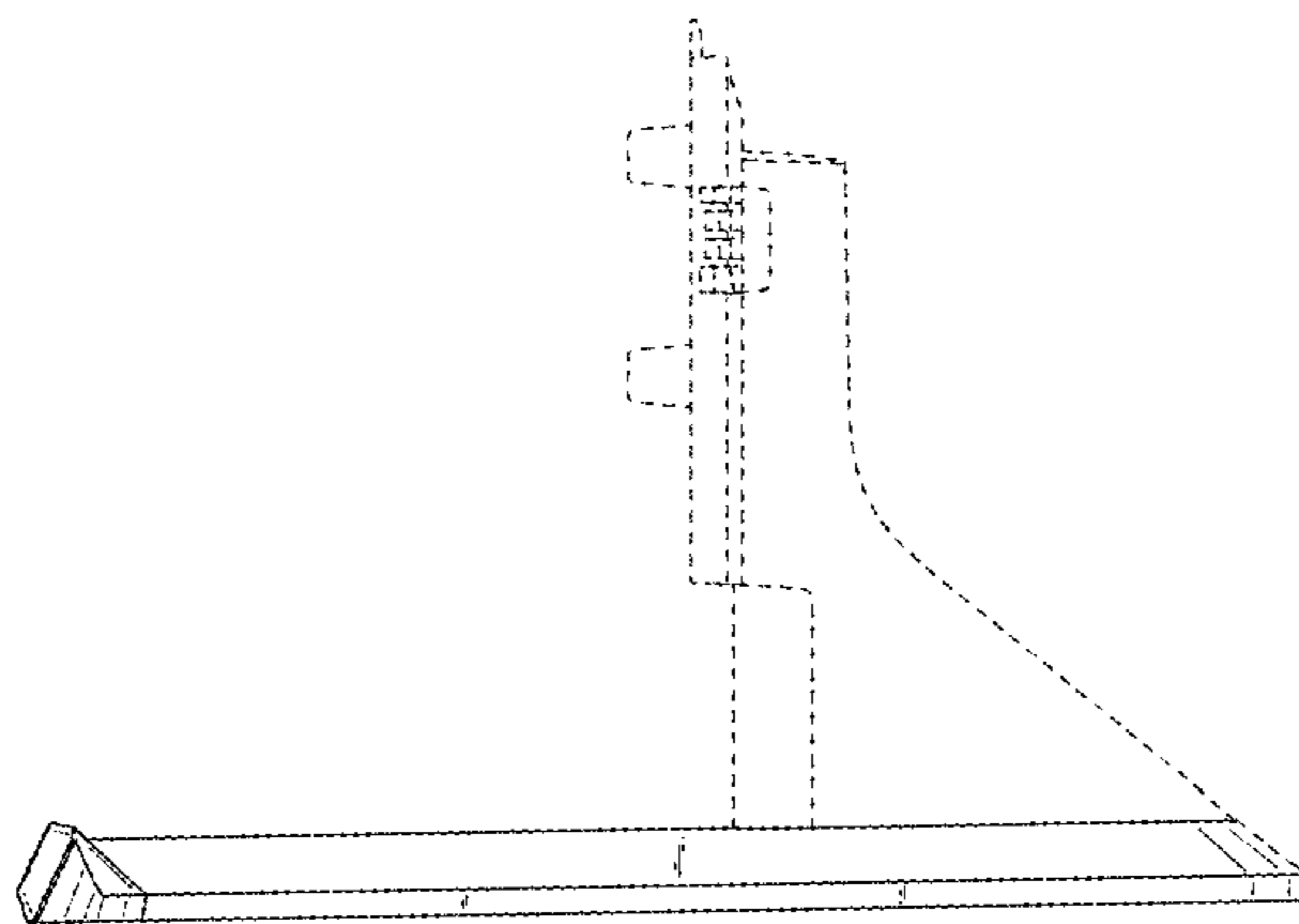


FIG. 14

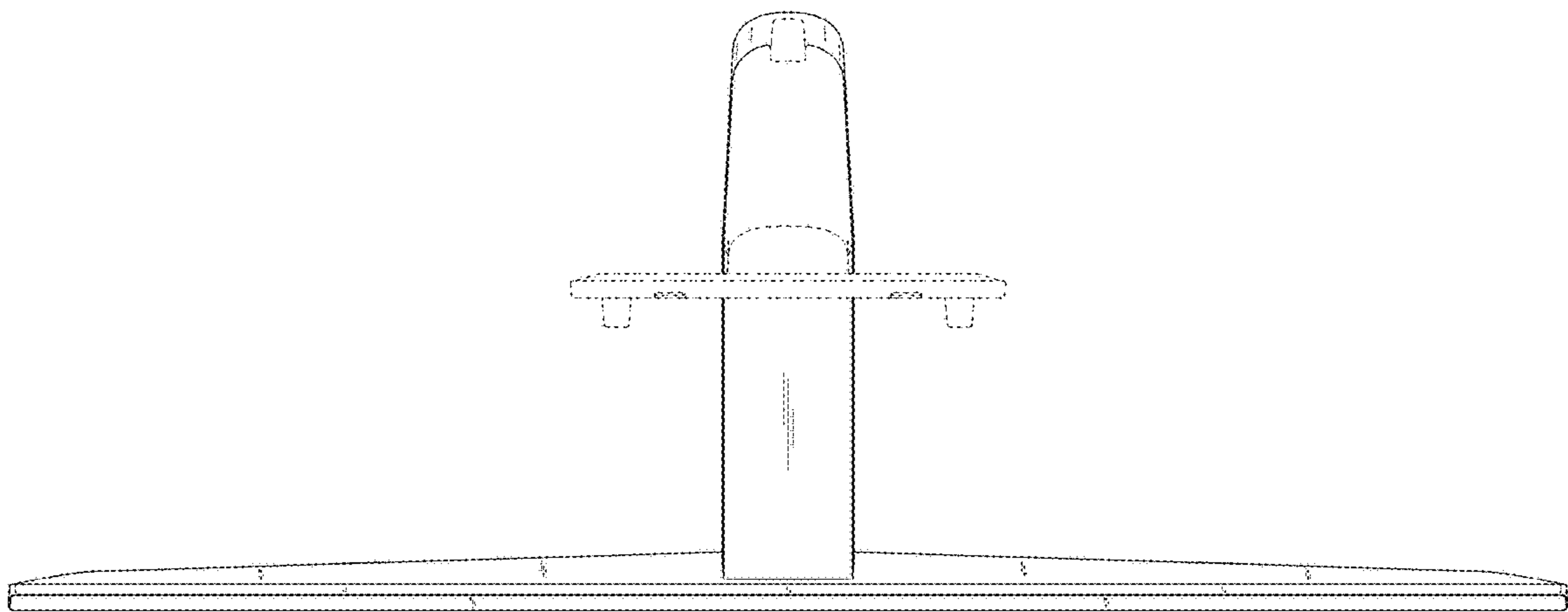


FIG. 15

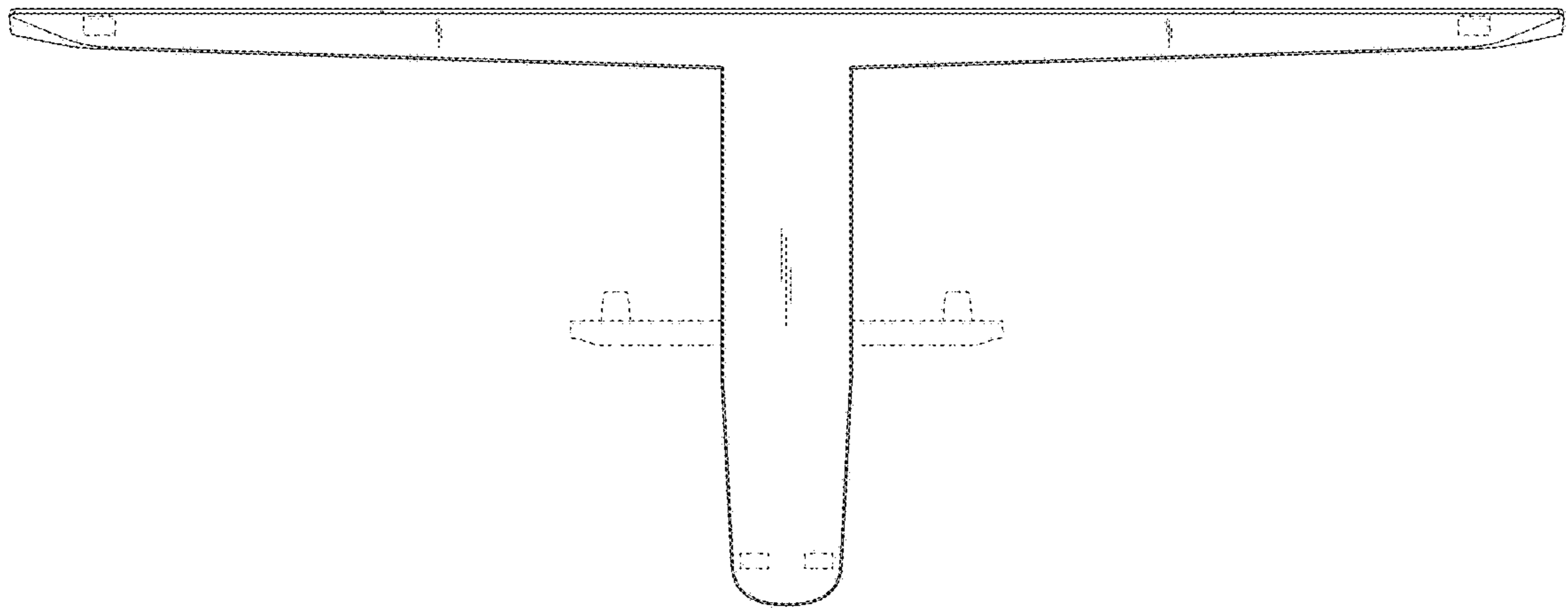


FIG. 16

