



US00D862428S

(12) **United States Design Patent**  
**Kim et al.**

(10) **Patent No.:** **US D862,428 S**

(45) **Date of Patent:** **\*\* Oct. 8, 2019**

(54) **TELEVISION RECEIVER**

(71) Applicant: **SAMSUNG ELECTRONICS CO., LTD.**, Suwon-si, Gyeonggi-do (KR)

(72) Inventors: **Ji-Gwang Kim**, Seoul (KR); **Eun-Ah Kim**, Seoul (KR); **Su-An Choi**, Seoul (KR)

(73) Assignee: **SAMSUNG ELECTRONICS CO., LTD.**, Gyeonggi-Do (KR)

(\*\*) Term: **15 Years**

(21) Appl. No.: **29/655,061**

(22) Filed: **Jun. 29, 2018**

(30) **Foreign Application Priority Data**

Jan. 5, 2018 (KR) ..... 30-2018-0000860

(51) **LOC (12) Cl.** ..... **14-03**

(52) **U.S. Cl.**  
USPC ..... **D14/239**

(58) **Field of Classification Search**  
USPC ..... D14/371, 373-377, 382, 451, 126, 239,  
D14/125, 127, 129; D6/708, 708.16, 300,  
D6/308, 310-313, 691.6; D8/349, 354,  
D8/363, 373, 376, 380; D21/691  
CPC ..... G06F 1/1601; H04N 5/64; H04N 5/655;  
H05K 5/0017; H05K 5/0234  
See application file for complete search history.

(56) **References Cited**

**U.S. PATENT DOCUMENTS**

D235,834 S \* 7/1975 Payne ..... D6/691.6  
6,063,005 A \* 5/2000 Schwartz ..... A63K 3/043  
482/16  
D508,055 S \* 8/2005 Lo ..... D14/451  
D671,540 S \* 11/2012 Yukawa ..... D14/451  
D695,245 S \* 12/2013 Hara ..... D14/126

D699,713 S \* 2/2014 Seong ..... D14/239  
D742,364 S \* 11/2015 Reinhertz ..... D14/239  
D819,583 S \* 6/2018 Lee ..... D14/126  
D820,846 S \* 6/2018 Lee ..... D14/451  
D824,355 S \* 7/2018 Kim ..... D14/126  
2017/0295659 A1\* 10/2017 Hori ..... H05K 5/0017

\* cited by examiner

*Primary Examiner* — Brett Miller

(74) *Attorney, Agent, or Firm* — Cantor Colburn LLP

(57) **CLAIM**

The ornamental design for a television receiver, as shown and described.

**DESCRIPTION**

FIG. 1 is a front perspective view of a television receiver, showing our new design;  
FIG. 2 is a front view thereof;  
FIG. 3 is a rear view thereof;  
FIG. 4 is a left-side view thereof;  
FIG. 5 is a right-side view thereof;  
FIG. 6 is a top view thereof;  
FIG. 7 is a bottom view thereof;  
FIG. 8 is a rear perspective view thereof;  
FIG. 9 is a front perspective view of a stand portion thereof;  
FIG. 10 is a front view thereof;  
FIG. 11 is a rear view thereof;  
FIG. 12 is a left-side view thereof;  
FIG. 13 is a right-side view thereof;  
FIG. 14 is a top view thereof;  
FIG. 15 is a bottom view thereof; and,  
FIG. 16 is a rear perspective view thereof.

The broken lines immediately adjacent the shaded areas represent the bounds of the claimed design while all other broken lines are directed to environment and are for illustrative purposes only; the broken lines form no part of the claimed design.

**1 Claim, 16 Drawing Sheets**

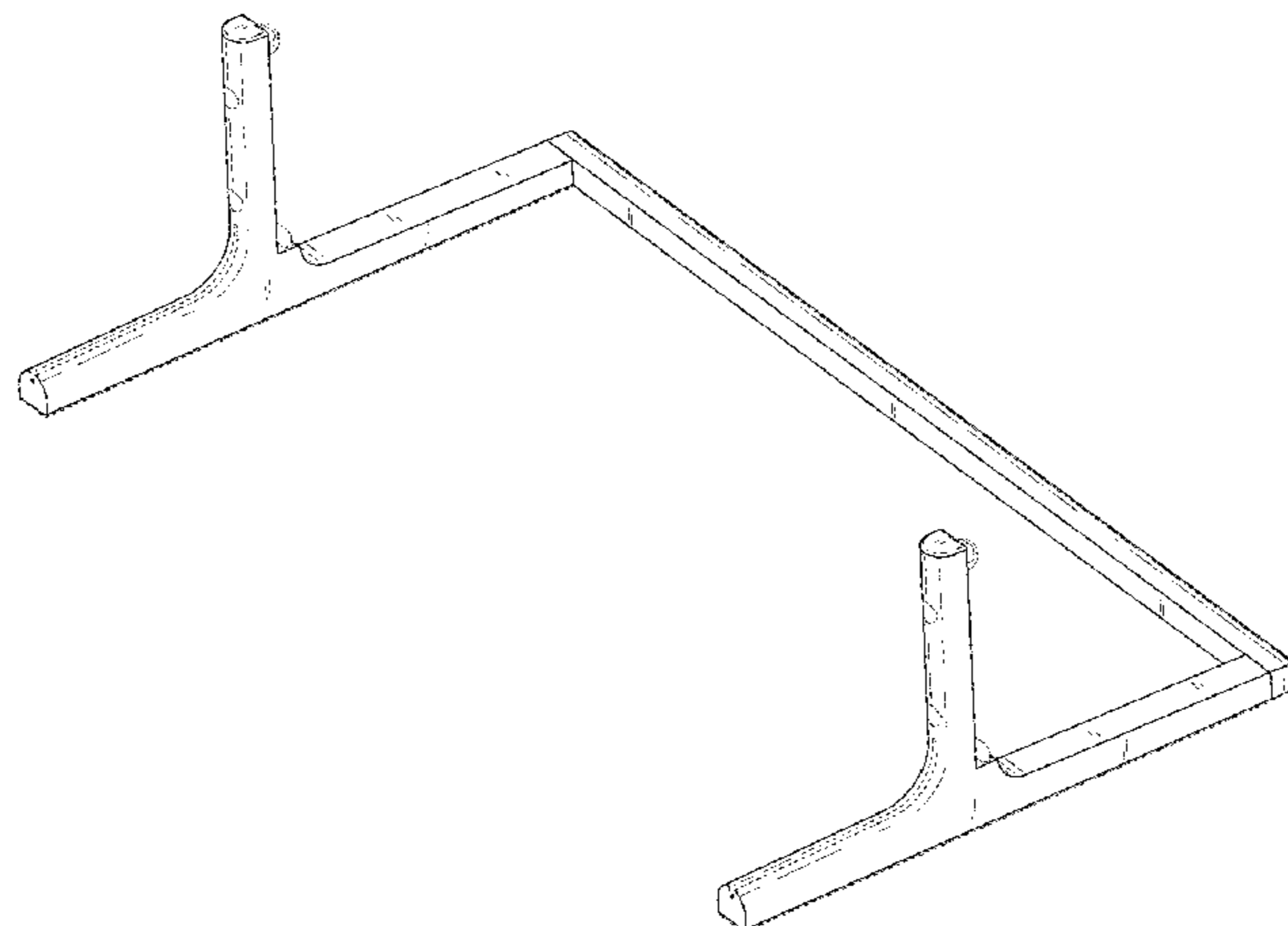


FIG. 1

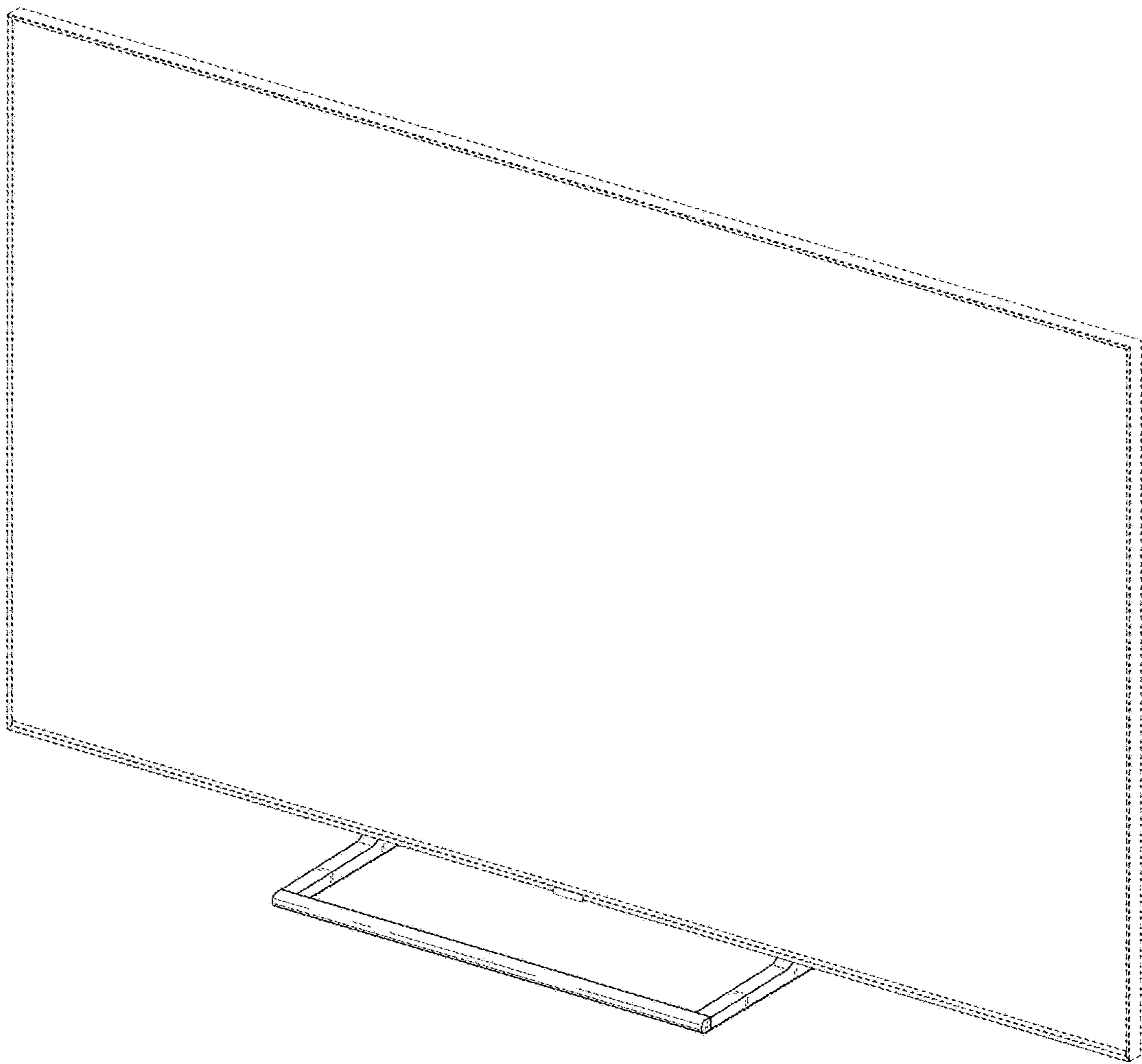


FIG. 2

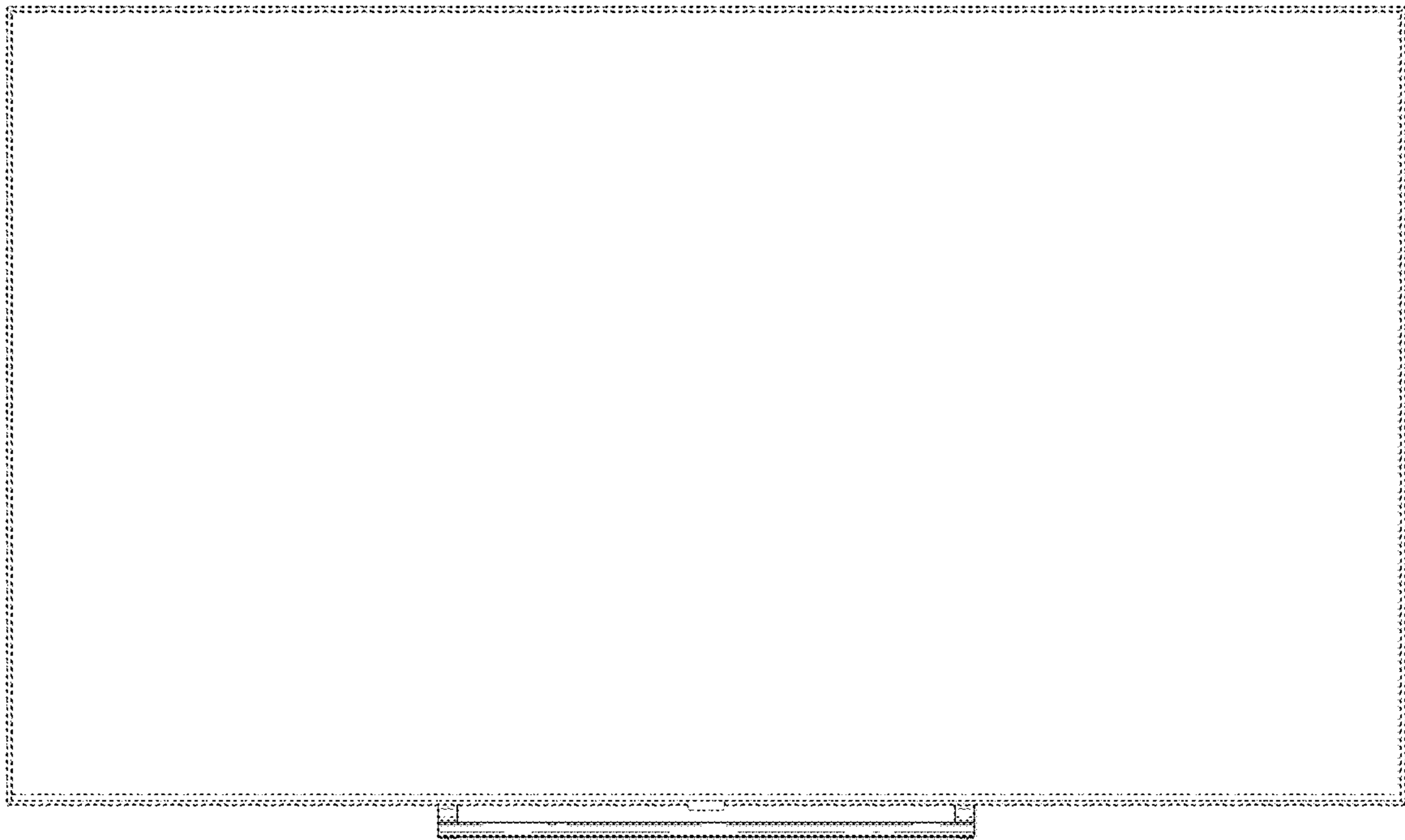


FIG. 3

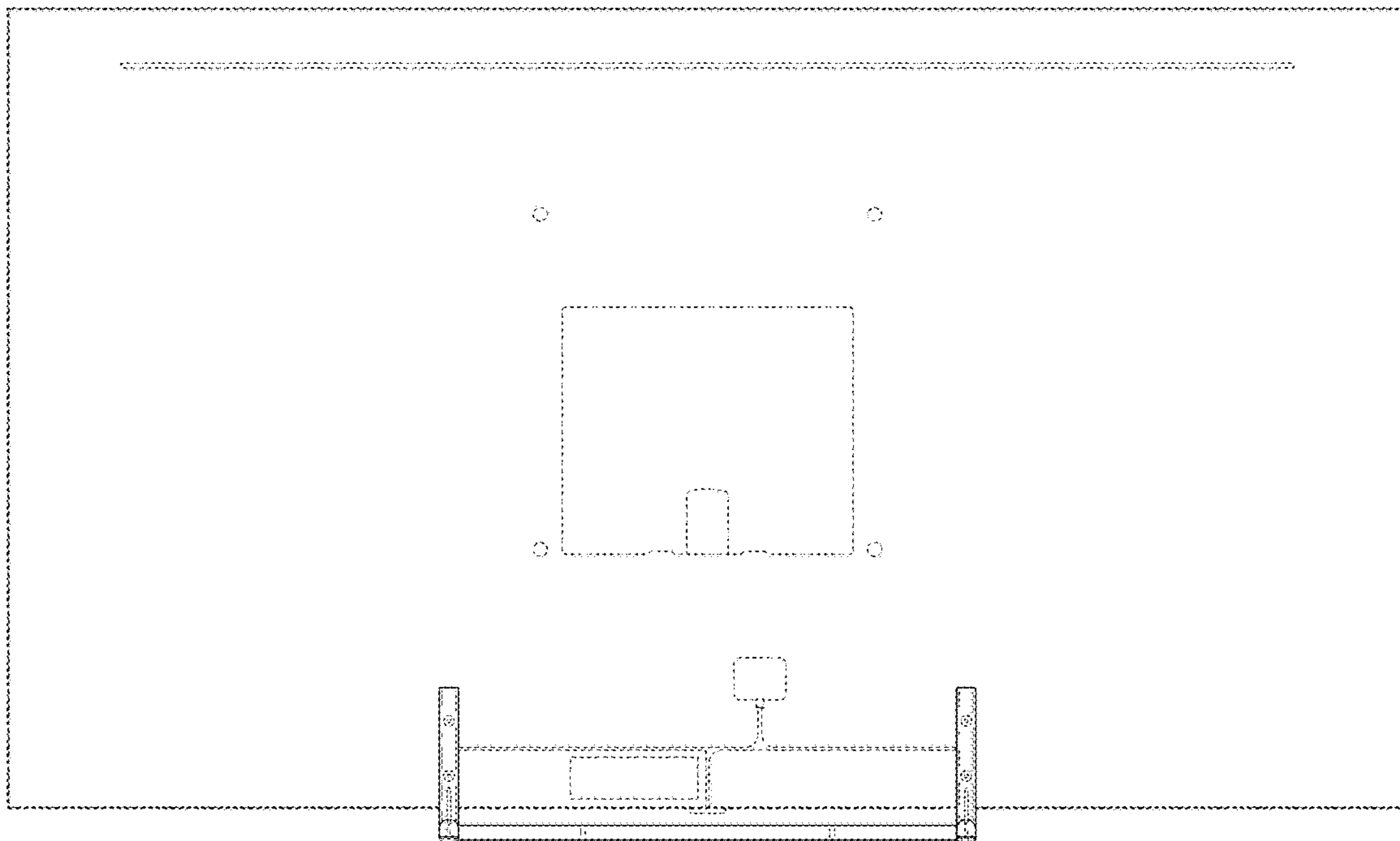


FIG. 4

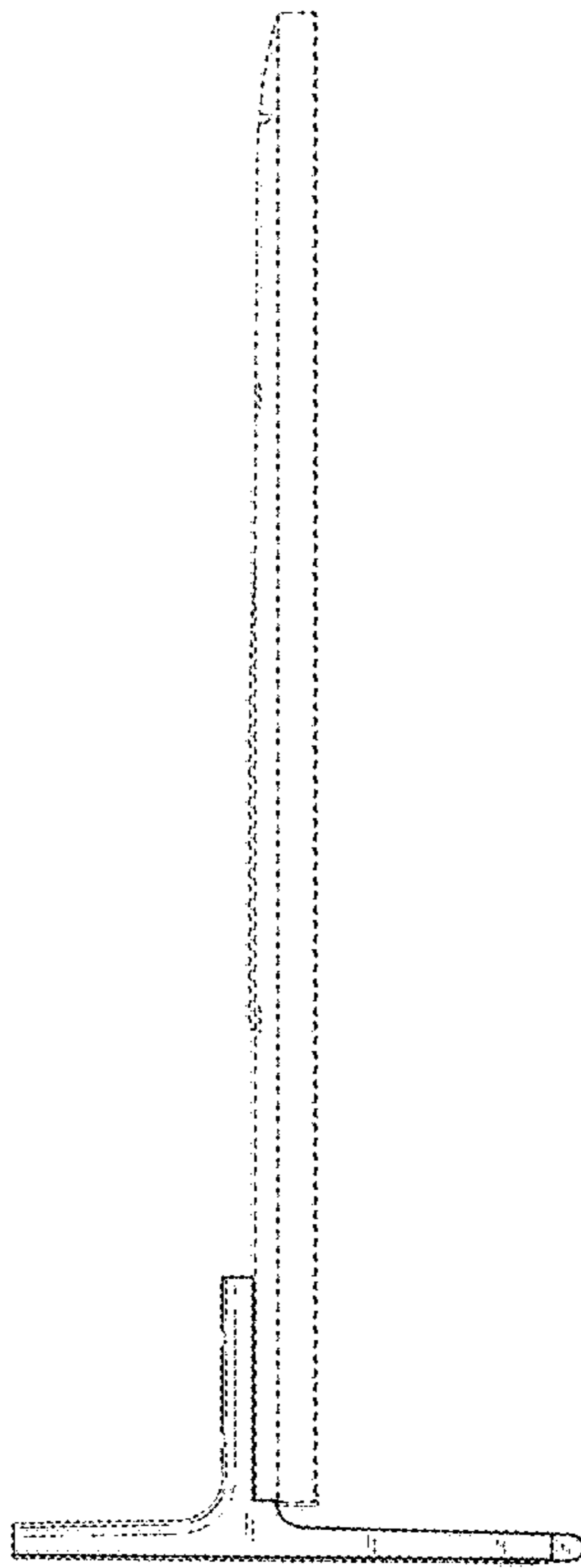


FIG. 5

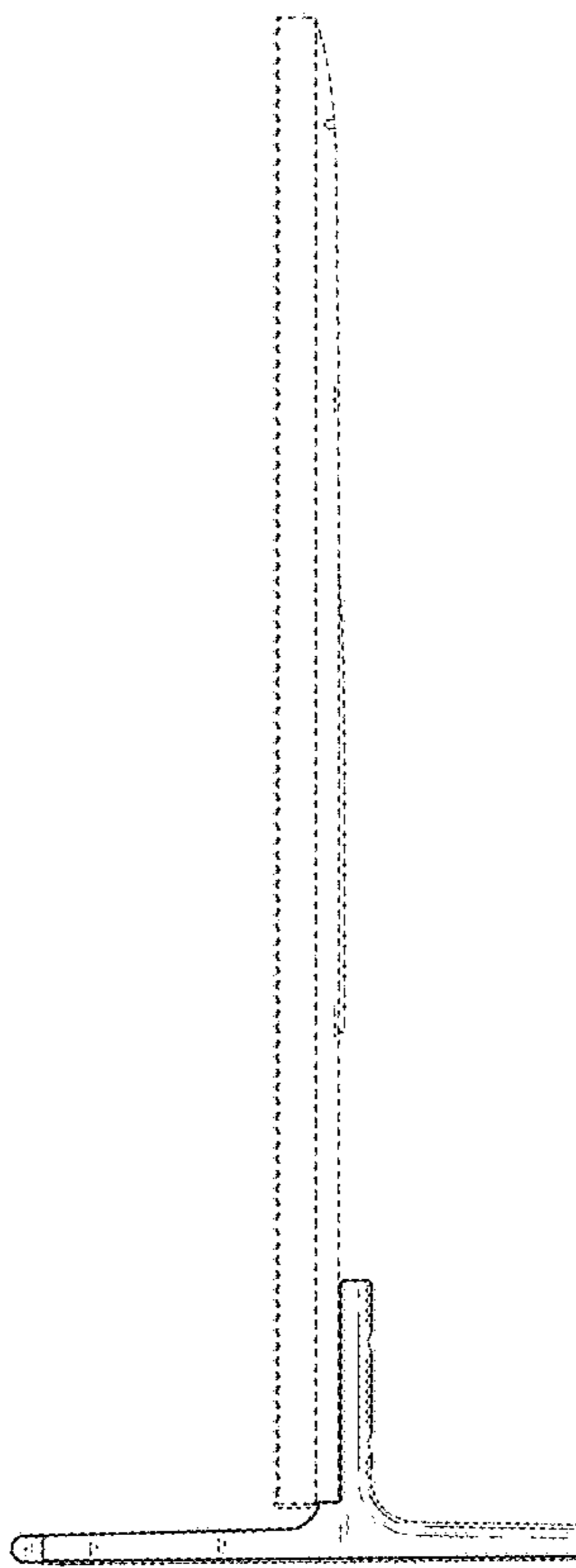


FIG. 6

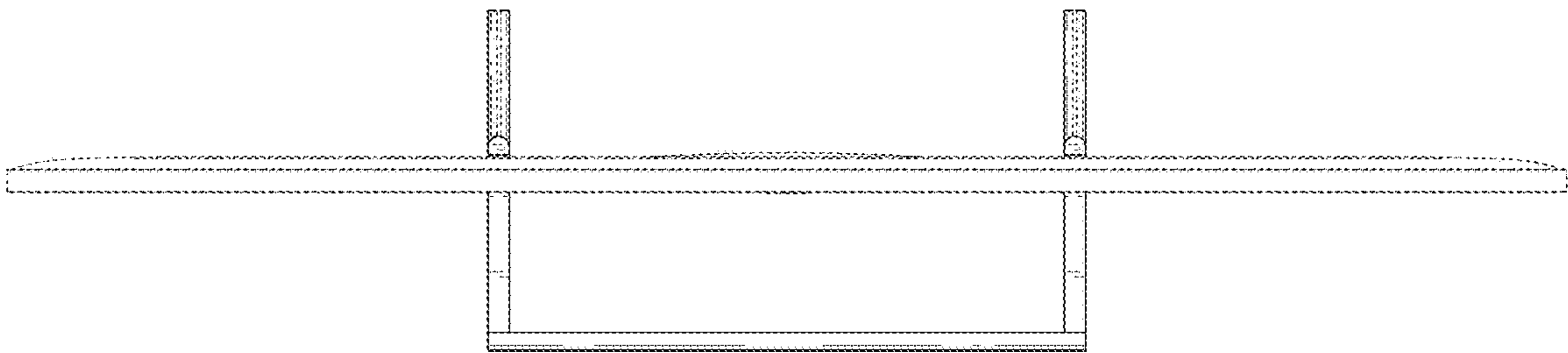


FIG. 7

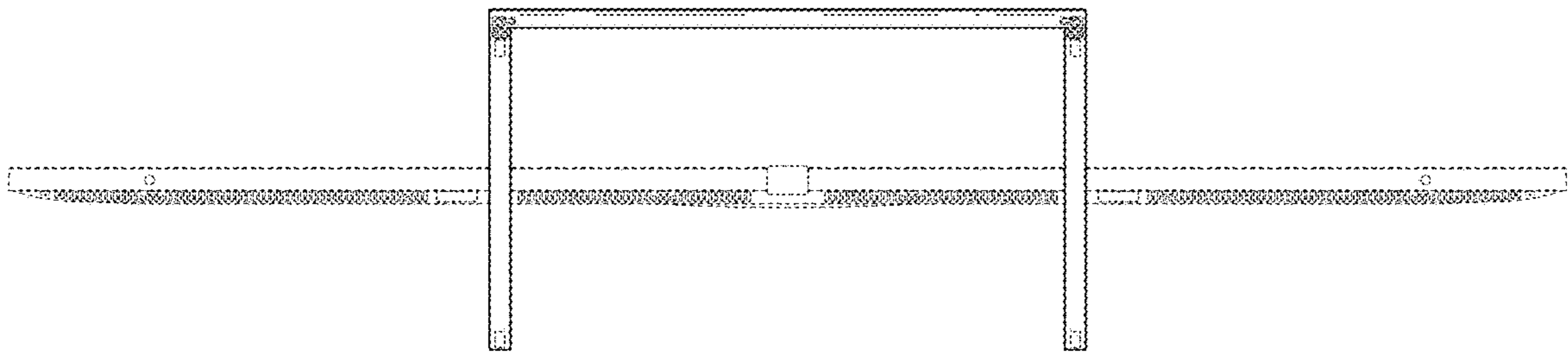




FIG. 8

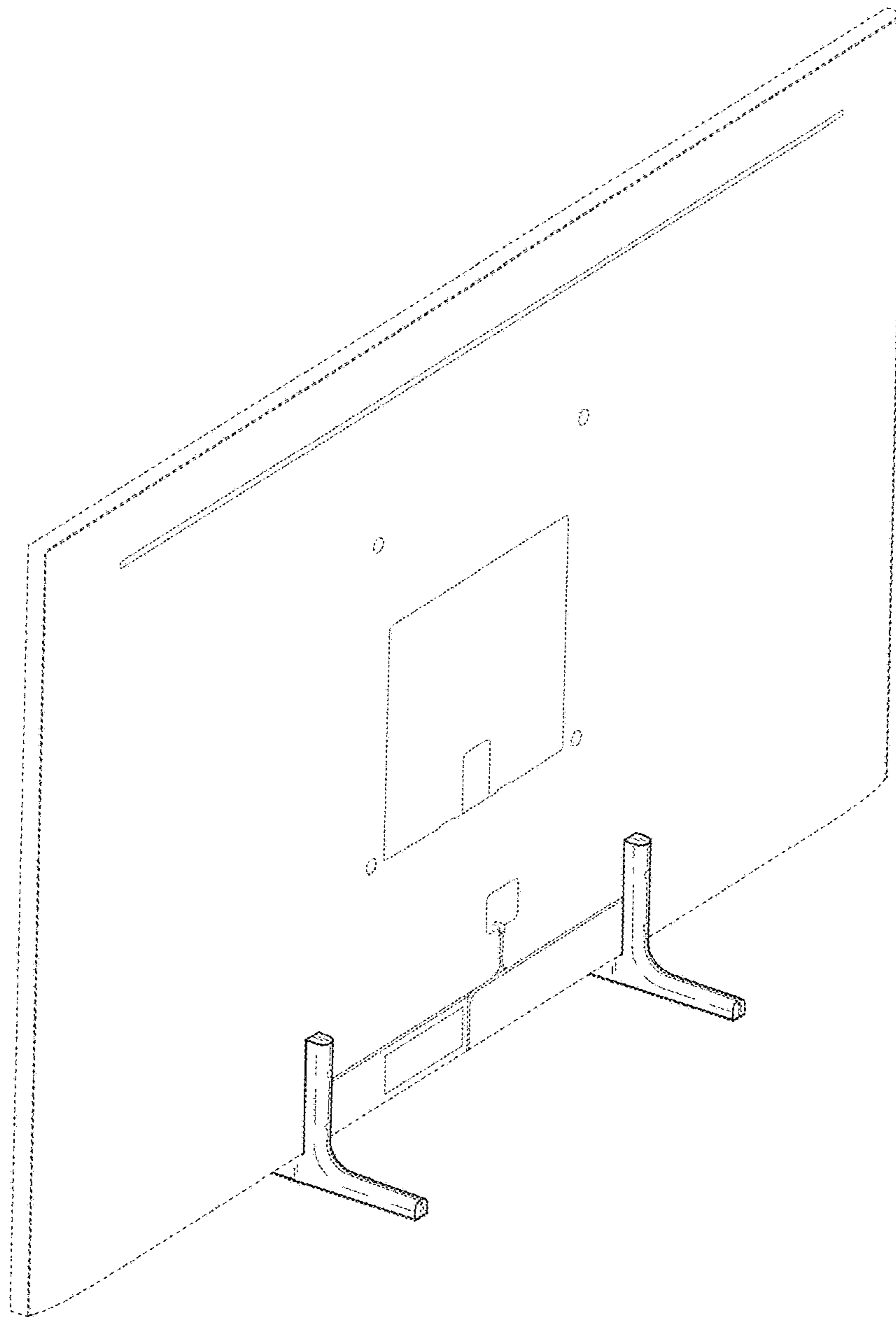


FIG. 9

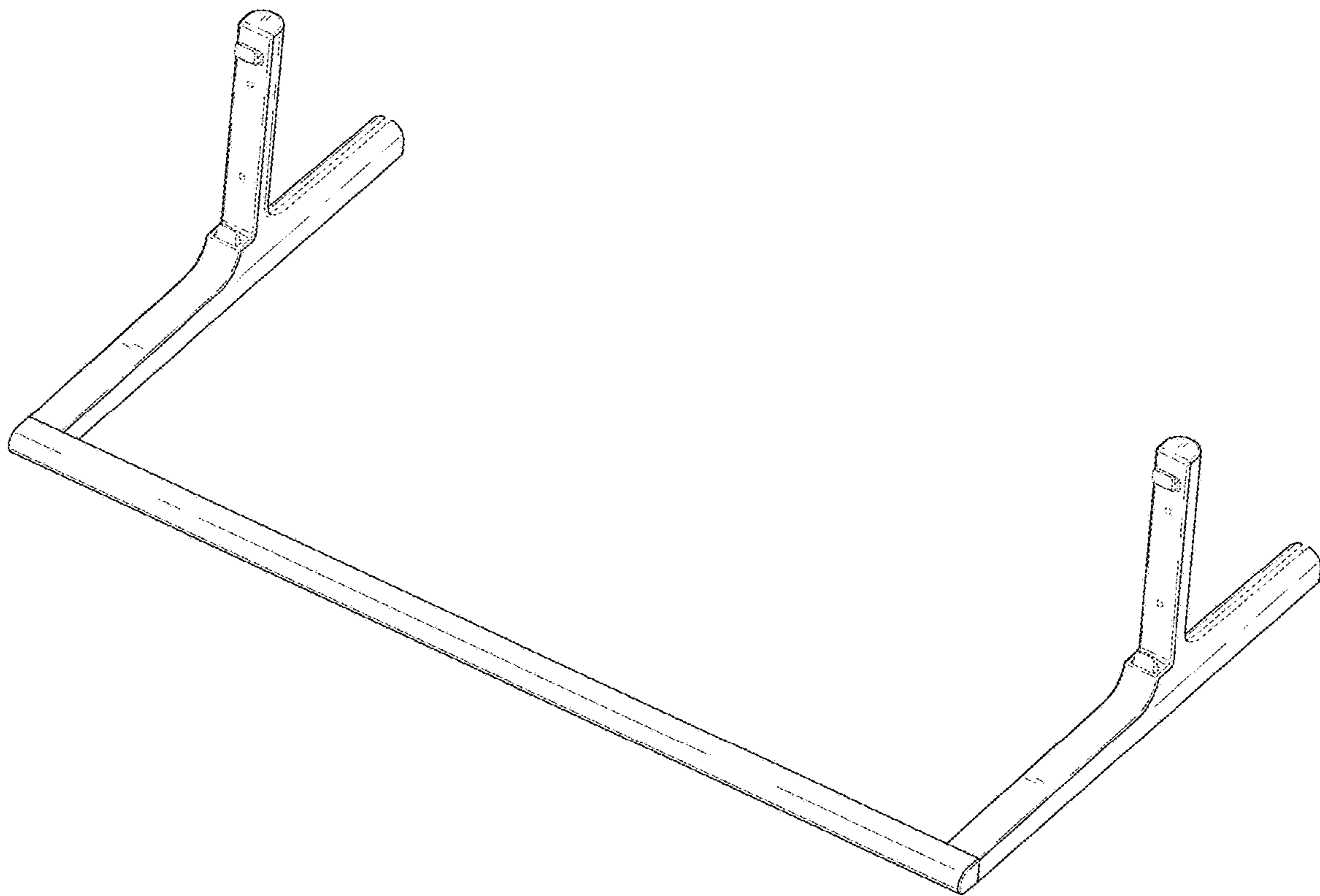


FIG. 10

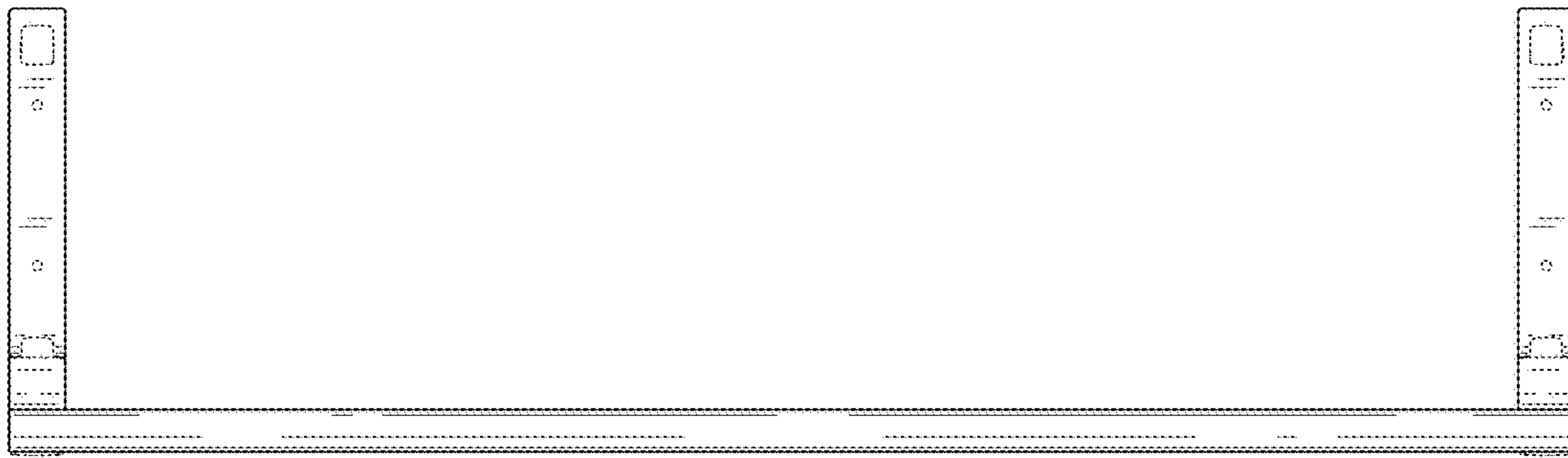


FIG. 11

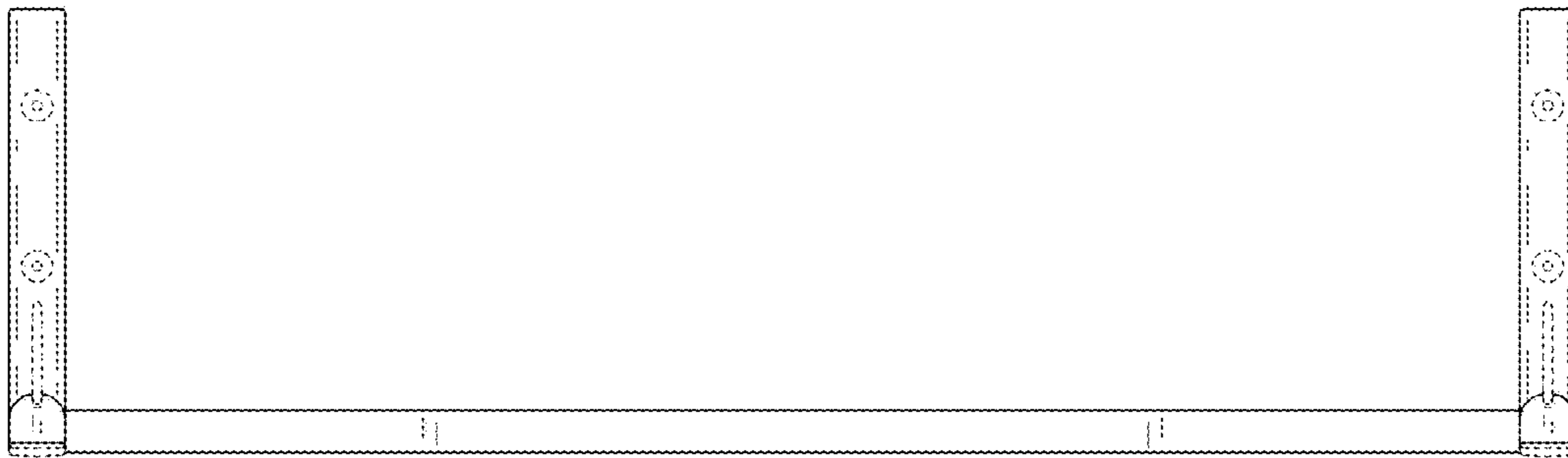


FIG. 12

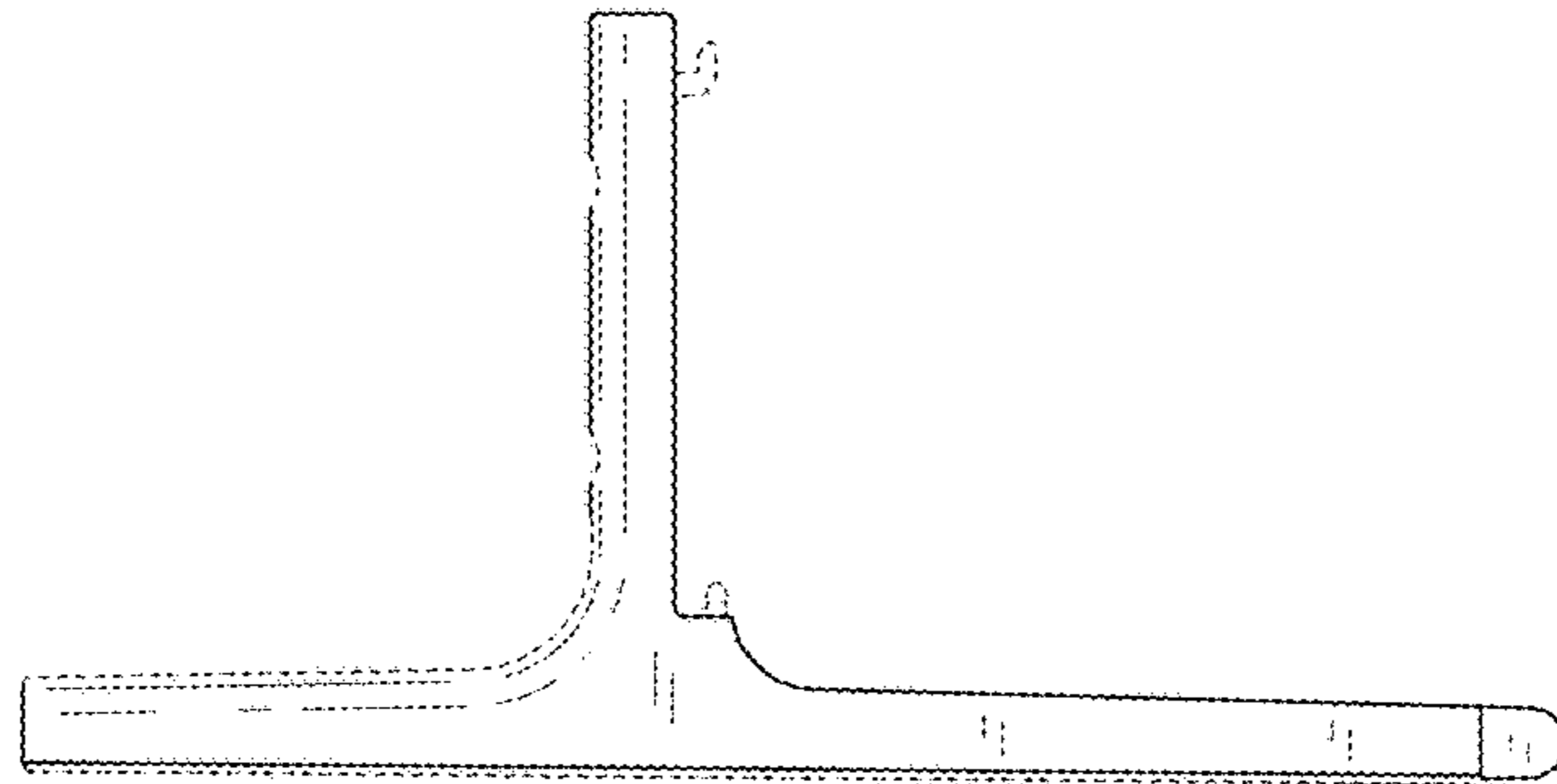


FIG. 13

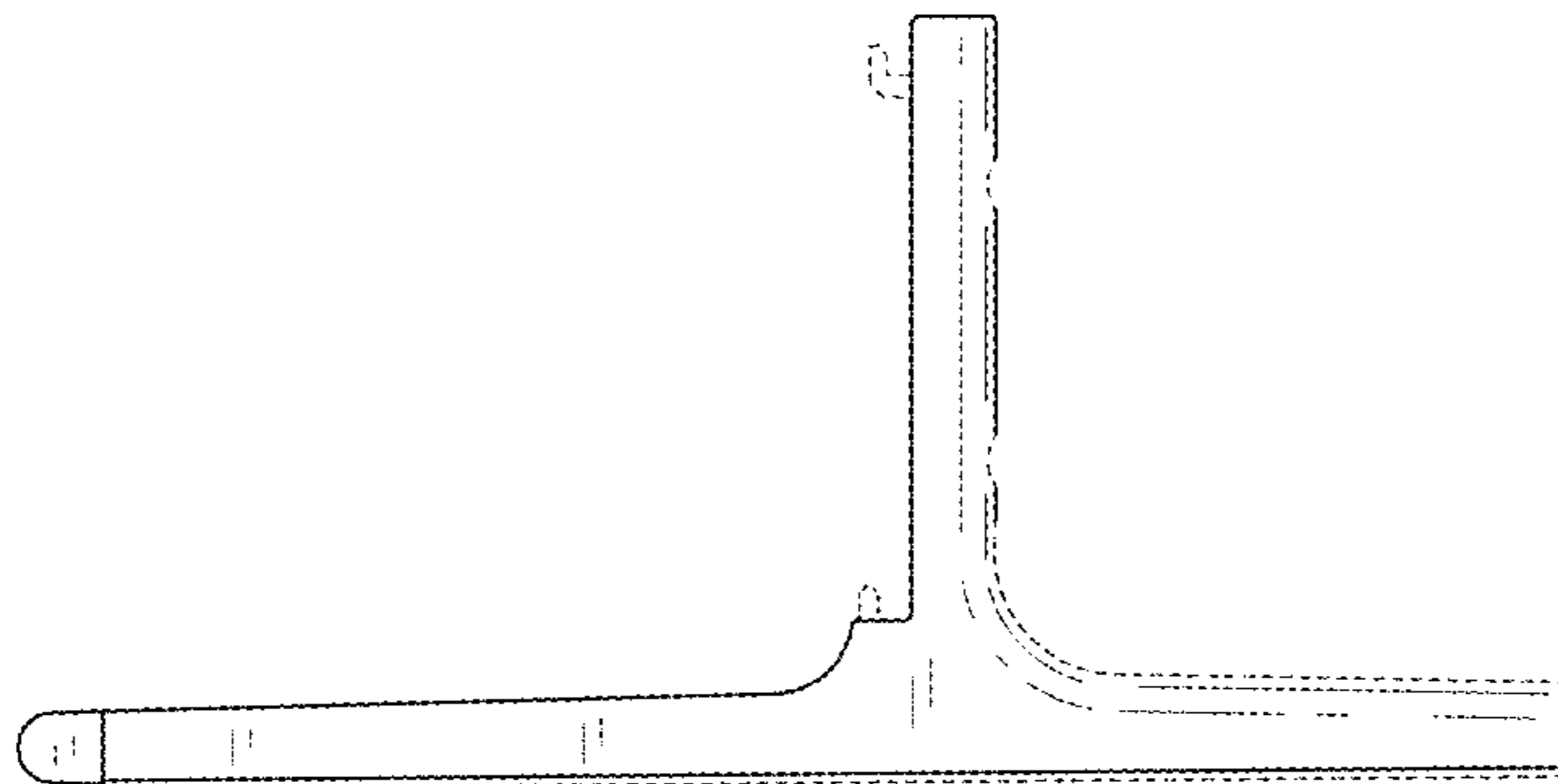


FIG. 14



FIG. 15

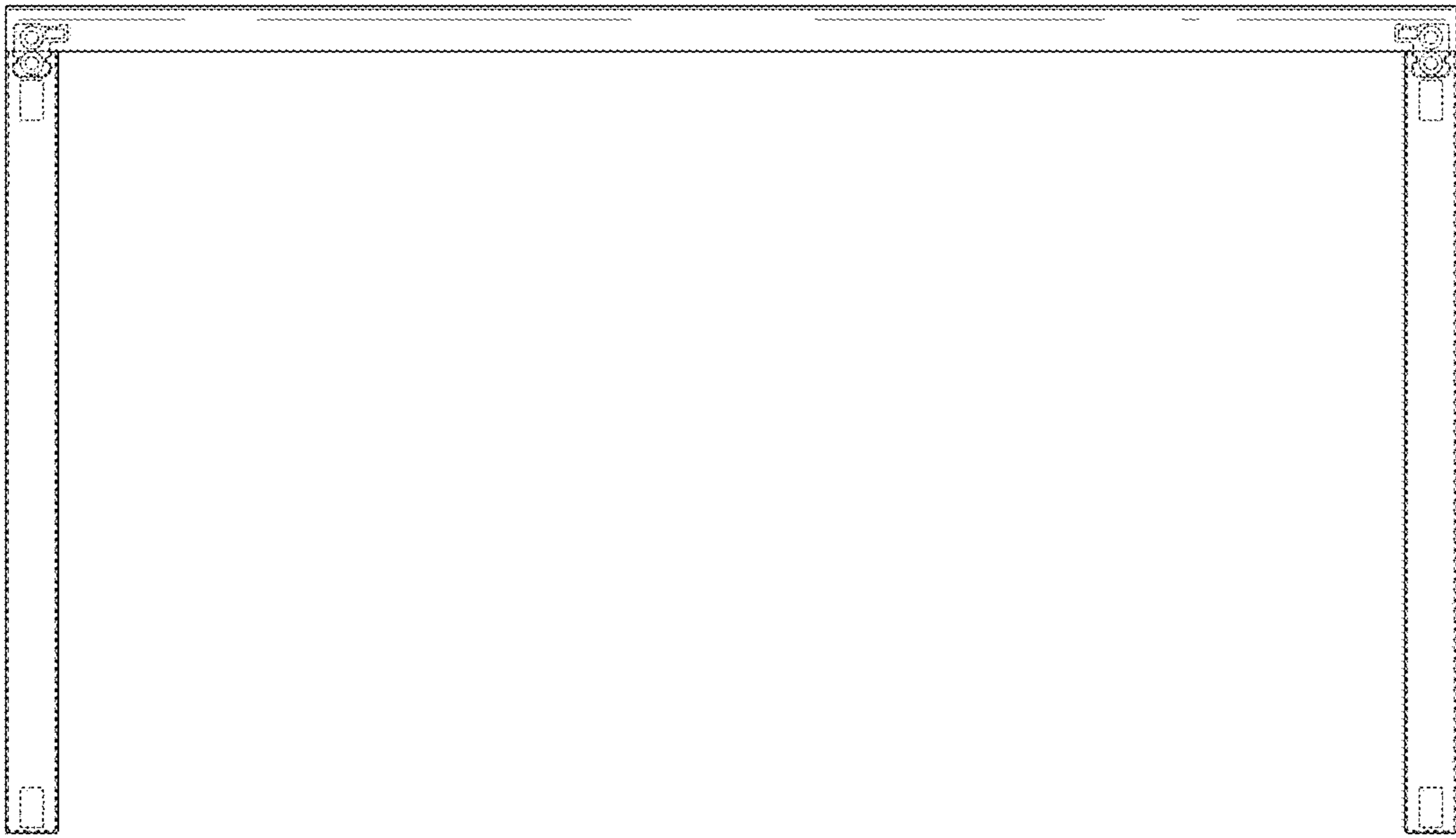




FIG. 16

