



US00D862426S

(12) **United States Design Patent** (10) **Patent No.:** **US D862,426 S**
Benedetti et al. (45) **Date of Patent:** **** Oct. 8, 2019**

(54) **TELEVISION ANTENNA**
(71) Applicant: **VOXX International Corporation**,
Hauppauge, NY (US)
(72) Inventors: **David Anthony Benedetti**, Carmel, IN
(US); **Kevin Kei Kwan Lee**, Victoria
(AU)
(73) Assignee: **VOXX International Corporation**,
Hauppauge, NY (US)

D371,560 S 7/1996 Fenton et al. D14/230
D372,545 S 8/1996 Schultz D25/138
D391,965 S 3/1998 Kimura D14/230
D391,966 S 3/1998 Mischenko et al. D14/230
D414,777 S 10/1999 Tsai D14/230
D421,017 S 2/2000 Phipps D14/230
D472,892 S 4/2003 Tourres D14/230
D490,424 S 5/2004 Yamanashi D14/358
D491,926 S 6/2004 Tai et al. D14/230
D491,927 S * 6/2004 Tai D14/230
D516,060 S * 2/2006 Wu D14/230
7,006,053 B2 2/2006 Zigler et al. 343/878
D517,055 S * 3/2006 Hung D14/230

(**) Term: **15 Years**

(Continued)

(21) Appl. No.: **29/570,495**
(22) Filed: **Jul. 8, 2016**
(51) **LOC (12) Cl.** **14-03**
(52) **U.S. Cl.**
USPC **D14/230**
(58) **Field of Classification Search**
USPC D12/42, 43; D13/168; D14/124, 137,
D14/138, 230-238.1, 299, 358
CPC H01L 33/48; H01L 23/02; H01Q 13/10;
H05K 11/00; H04B 1/034
See application file for complete search history.

FOREIGN PATENT DOCUMENTS

CN 3021824 11/1993
CN 303409202 10/2015

Primary Examiner — Mark A Goodwin
Assistant Examiner — Benjamin M Weeks
(74) *Attorney, Agent, or Firm* — Bodner & O'Rourke,
LLP; Gerald T. Bodner; Christian P. Bodner

(57) **CLAIM**

The ornamental design of a television antenna, substantially as shown and described.

DESCRIPTION

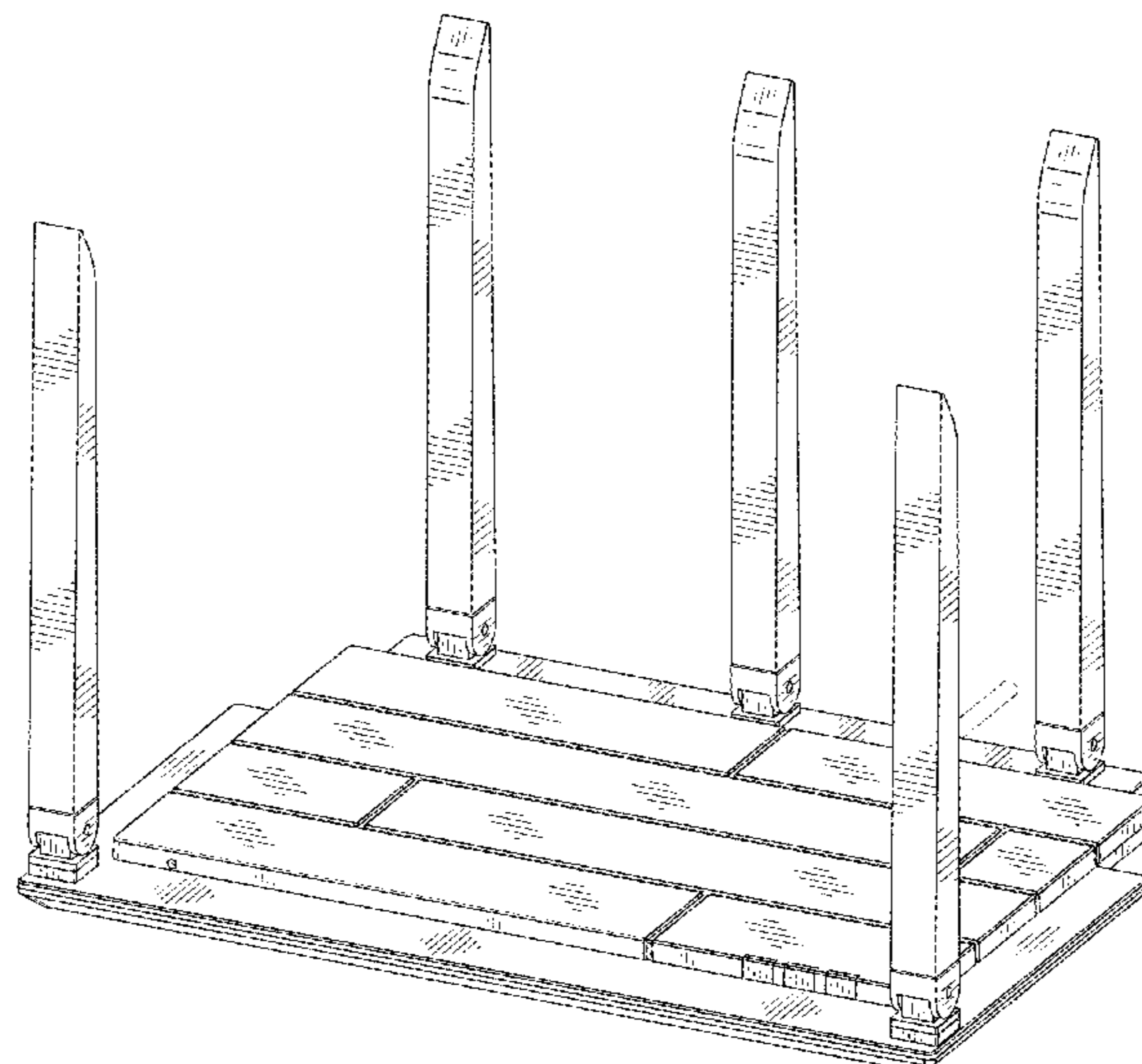
FIG. 1 is a top perspective view of a television antenna showing our new design;
FIG. 2 is a bottom perspective view thereof;
FIG. 3 is a top plan view thereof;
FIG. 4 is a bottom plan view thereof;
FIG. 5 is a left elevational view thereof;
FIG. 6 is a right elevational view thereof;
FIG. 7 is a front elevational view thereof; and,
FIG. 8 is a rear elevational view thereof.
The broken lines and portions contained within are not claimed.

(56) **References Cited**

U.S. PATENT DOCUMENTS

D159,725 S * 8/1950 Goumas D14/234
2,657,312 A 10/1953 Saranga 343/727
2,700,105 A 1/1955 Winegard 343/795
D181,027 S * 9/1957 Singer D14/235
3,324,476 A 6/1967 Smith, Jr. et al. 343/830
3,478,361 A 11/1969 Middlemark 343/730
D294,026 S 2/1988 Shinkawa D14/230
D306,862 S 3/1990 Kent D14/230
D310,224 S 8/1990 Cooper D14/230
D332,262 S 1/1993 Borchardt D14/230
D345,982 S 4/1994 Lucey D14/230
D347,010 S 5/1994 Emmerling D14/230
D357,683 S * 4/1995 Cline D14/234

1 Claim, 8 Drawing Sheets



(56)

References Cited

U.S. PATENT DOCUMENTS

D517,535	S	3/2006	Wu	D14/230
D520,498	S	5/2006	Lin et al.	D14/230
D525,239	S *	7/2006	Lai	D14/230
D525,967	S	8/2006	Hsiau	D14/230
D531,624	S *	11/2006	Sun	D14/230
D579,446	S	10/2008	Imano et al.	D14/230
D585,435	S	1/2009	Wafer	D14/230
D596,177	S	7/2009	Steele et al.	D14/358
D598,577	S	8/2009	Li	D25/138
D637,837	S	5/2011	Kubota	D25/138
D643,025	S *	8/2011	Podduturi	D14/230
8,174,457	B1	5/2012	Lam	343/828
D696,231	S *	12/2013	Konishi	D14/230
D710,834	S *	8/2014	Jeon	D14/230
D711,358	S *	8/2014	Jeon	D14/230
D712,568	S	9/2014	Canales	D25/104
D718,749	S *	12/2014	Huang	D14/230
D740,449	S	10/2015	Huang	D25/151
D748,079	S	1/2016	Dinsdale et al.	D14/230
D751,054	S	3/2016	Chou et al.	D14/230
D775,110	S *	12/2016	Tsen	D14/230
D786,837	S *	5/2017	Tsen	D14/230
2004/0239567	A1	12/2004	Van Der Poel	343/700 MS
2005/0259022	A1	11/2005	Wang	343/764
2005/0259023	A1	11/2005	Wang	343/764
2007/0285328	A1	12/2007	Mariola	343/767
2008/0111761	A1	5/2008	Kan et al.	343/873
2012/0229358	A1	9/2012	Doneker et al.	343/848
2014/0266971	A1	9/2014	Bedicks, Jr. et al.	343/888
2014/0368400	A1	12/2014	Lin et al.	343/843
2017/0263997	A1	9/2017	Daniel et al.		

* cited by examiner

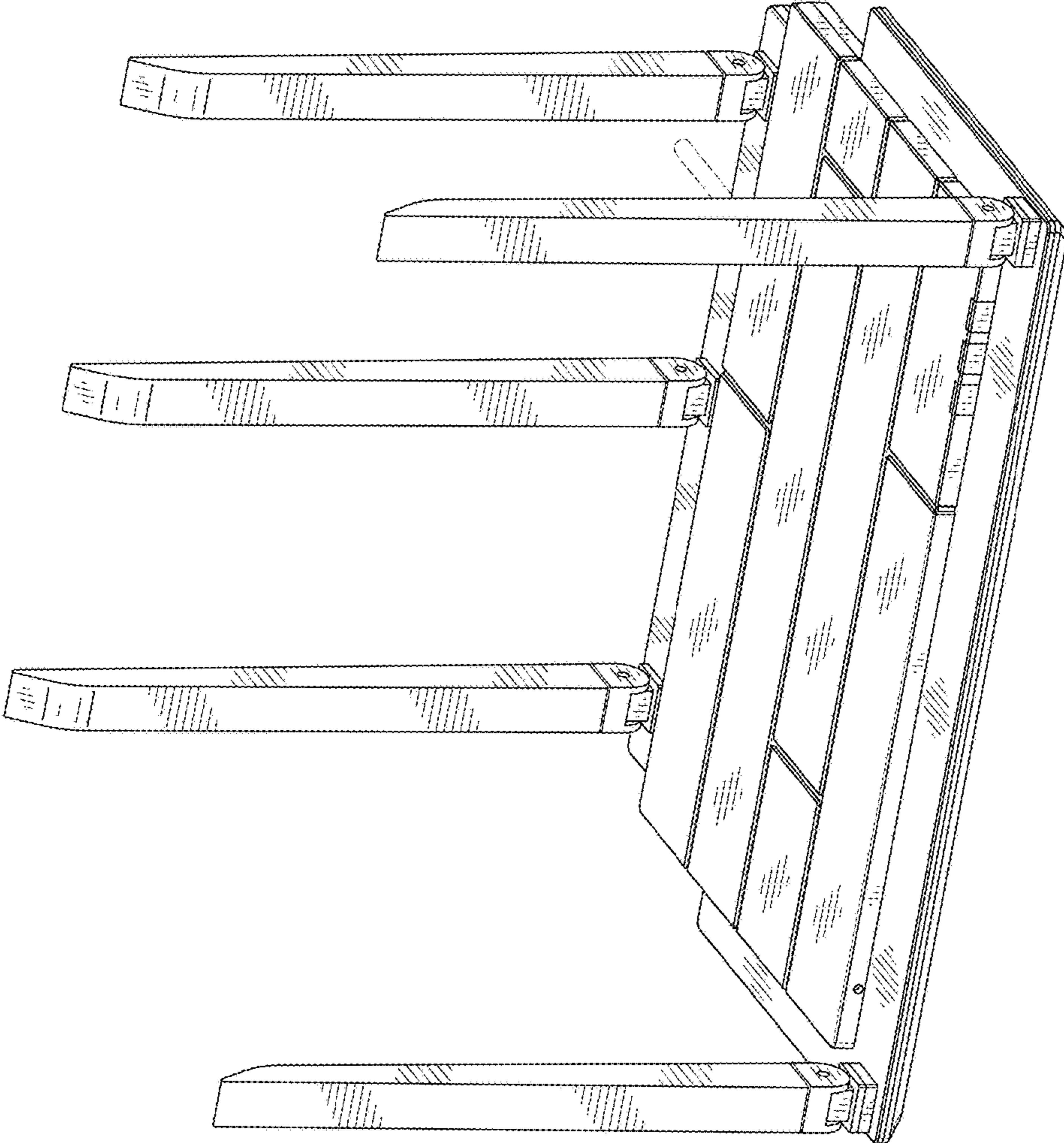


FIG. 1

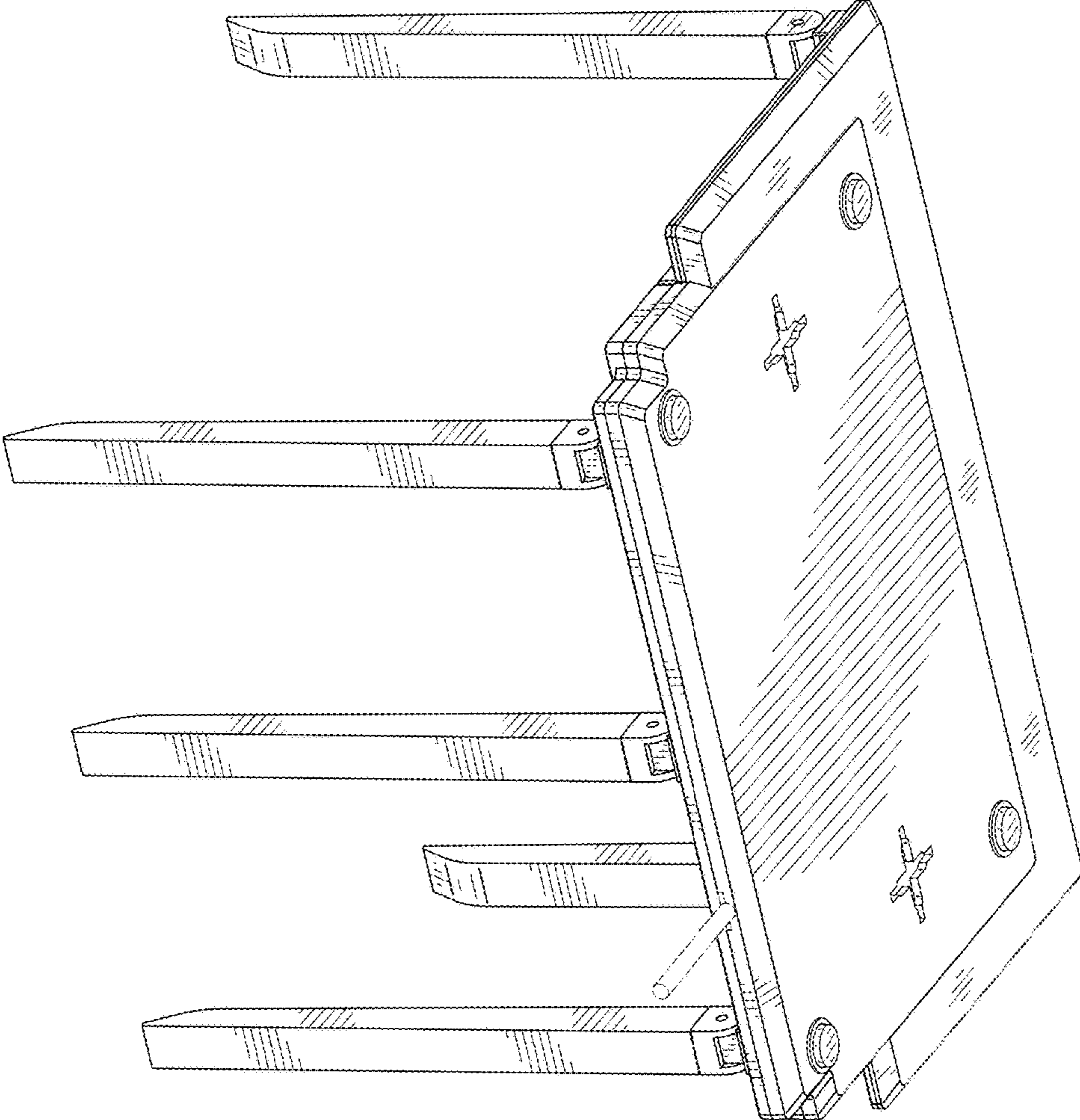


FIG. 2

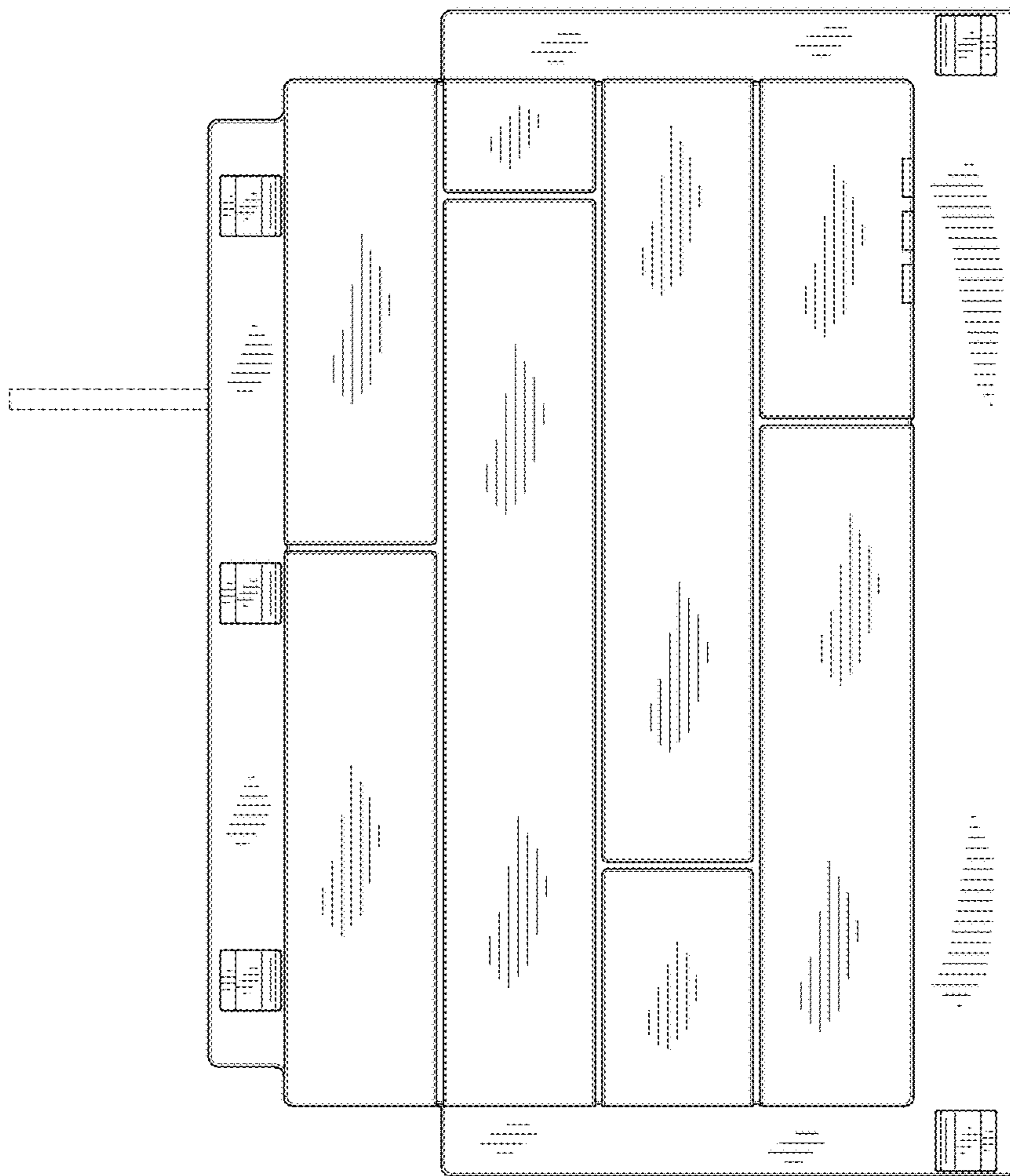


FIG. 3

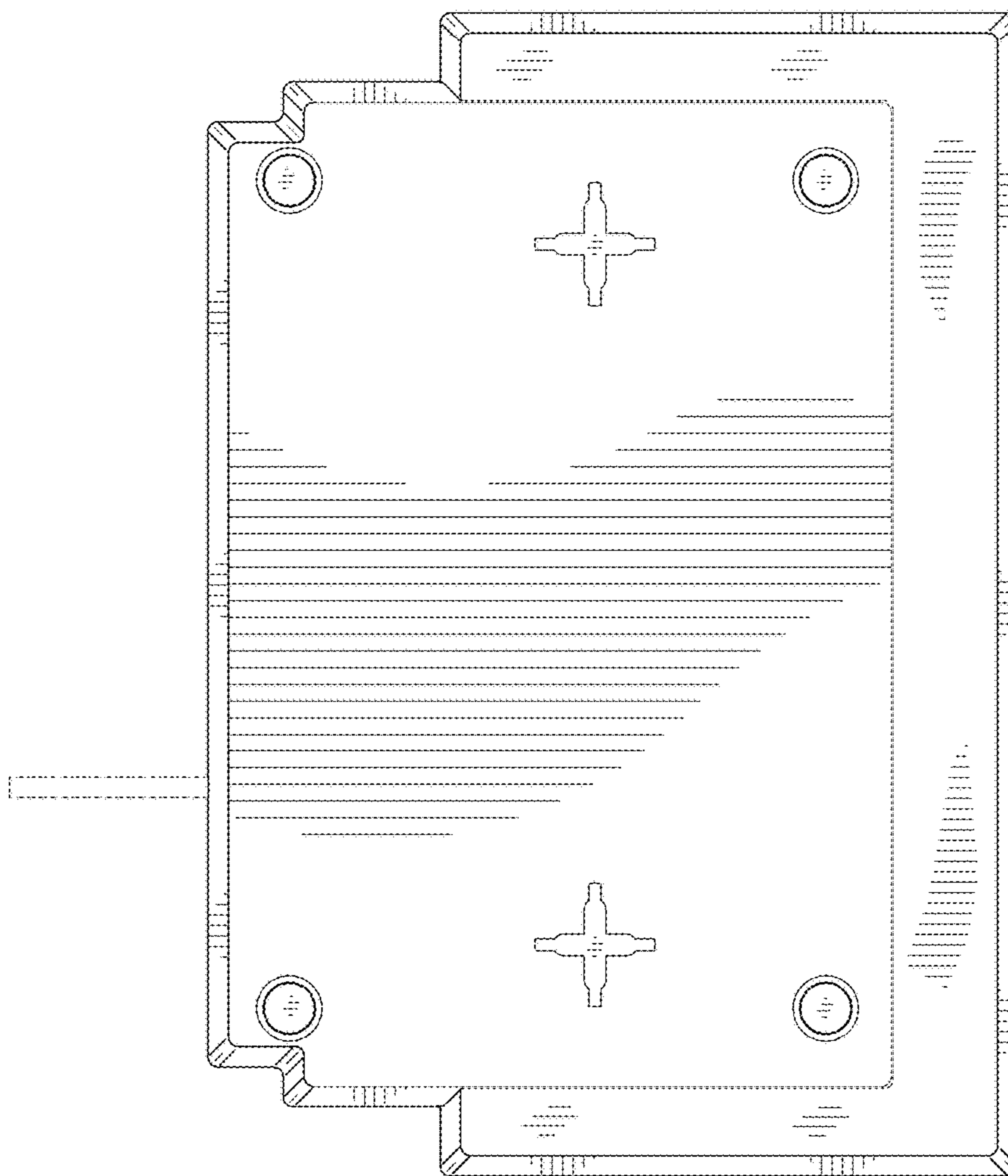


FIG. 4

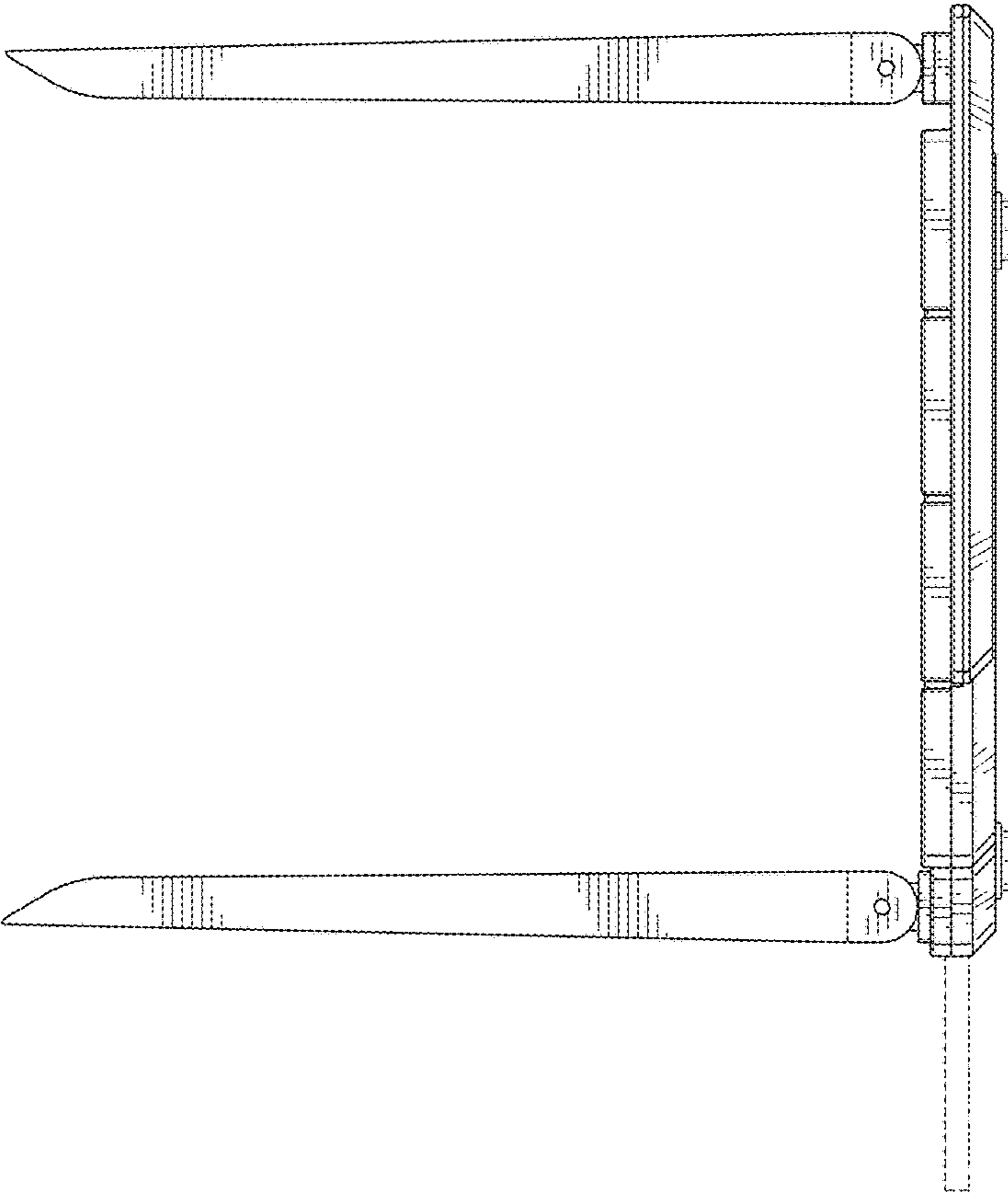


FIG. 5

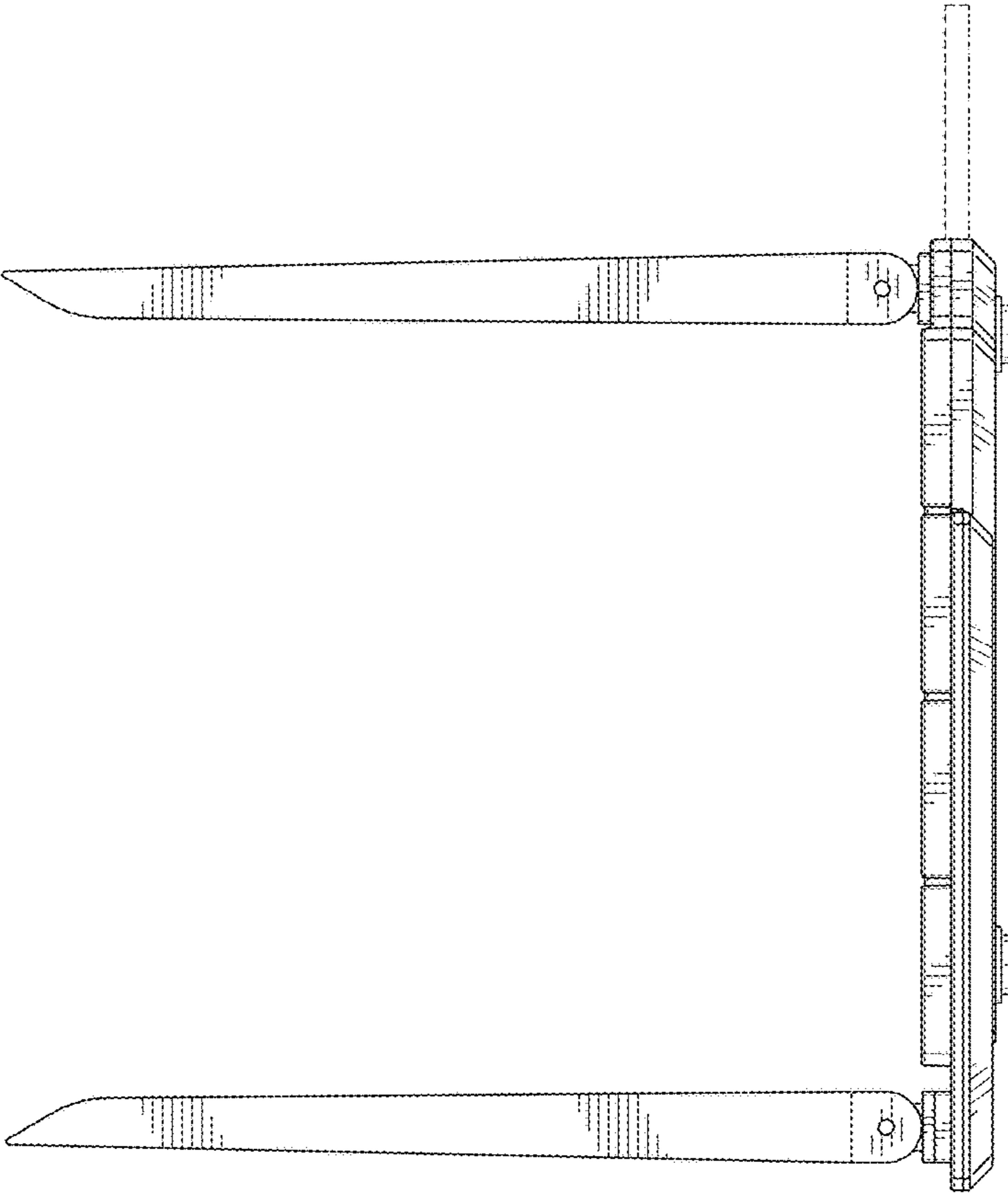


FIG. 6

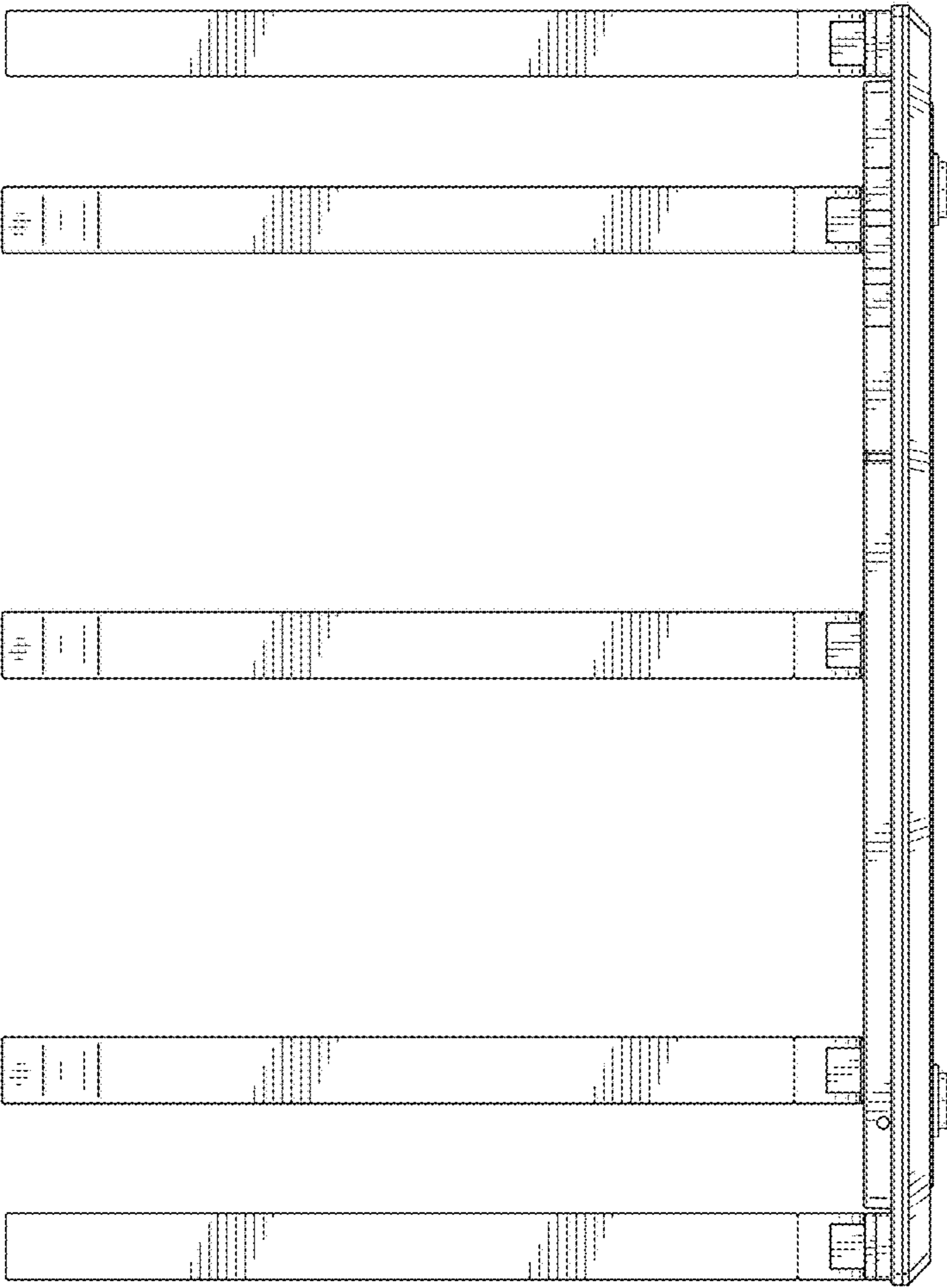


FIG. 7

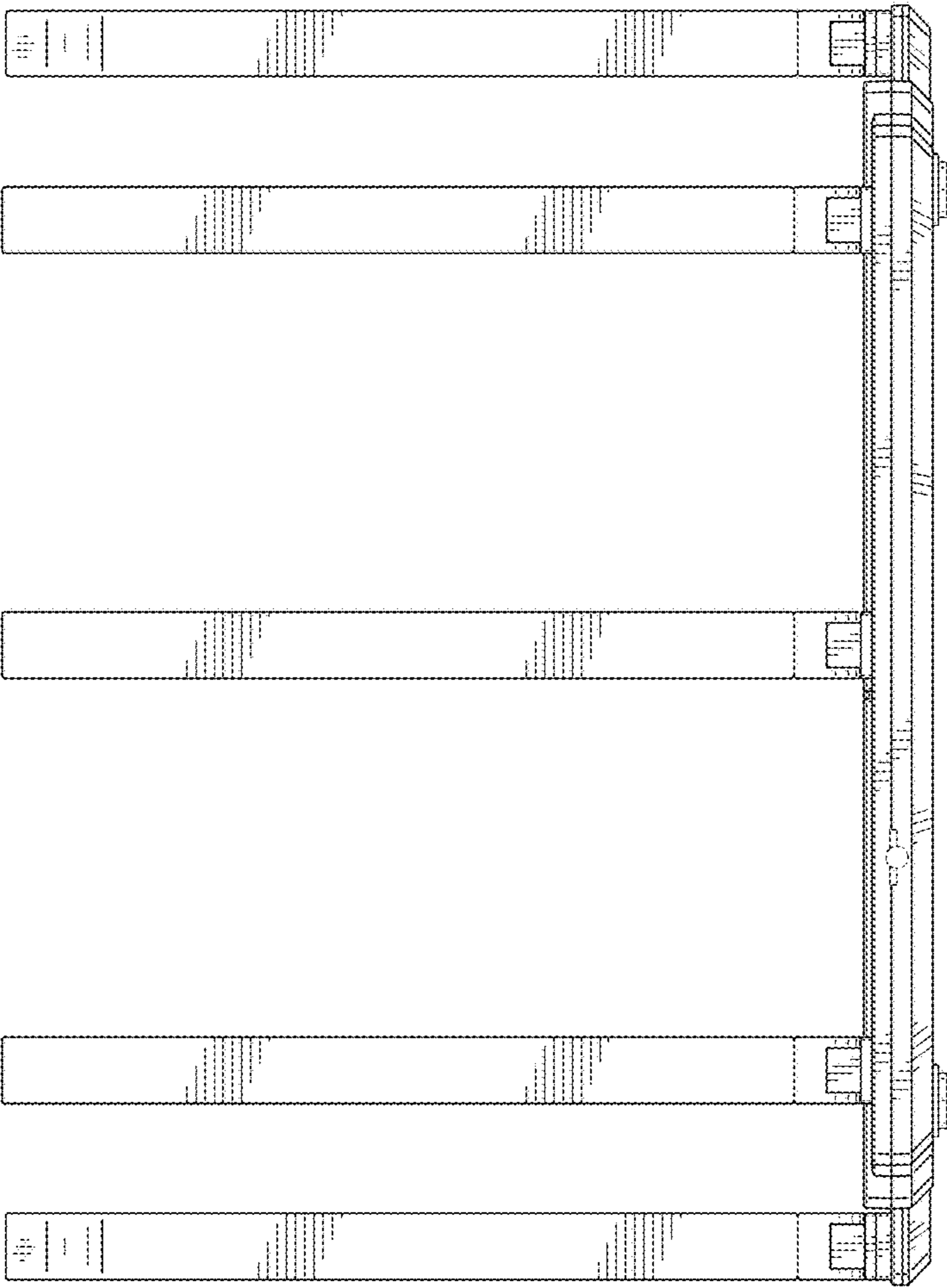


FIG. 8