



US00D862425S

(12) **United States Design Patent**  
**Yan**

(10) **Patent No.:** **US D862,425 S**  
(45) **Date of Patent:** **\*\* Oct. 8, 2019**

- (54) **WIRELESS HEADSET**
- (71) Applicant: **Shenzhen Grandshine Technology Co., Ltd.**, Shenzhen, Guangdong (CN)
- (72) Inventor: **Xuedong Yan**, Shandong (CN)
- (73) Assignee: **Shenzhen Grandshine Technology Co., Ltd.**, Shenzhen (CN)
- (\*\*) Term: **15 Years**
- (21) Appl. No.: **29/695,698**
- (22) Filed: **Jun. 21, 2019**
- (51) **LOC (12) Cl.** ..... **14-01**
- (52) **U.S. Cl.**  
USPC ..... **D14/223; D14/203.6**
- (58) **Field of Classification Search**  
USPC ..... D14/223, 205, 203.1–203.6, 192, 168, D14/249, 137, 218, 217, 240, 260; D24/174, 186; D13/168; 128/864, 865, 128/866; 181/129, 130, 135; 379/430, 379/433, 368, 447; 381/380, 381, 309, 381/322, 311; 455/90.3, 575.1, 569.1  
CPC ..... H04R 25/00; H04R 1/10; H04R 1/1066; H04R 1/1016; H04R 5/033; H04R 5/0335  
See application file for complete search history.

(56) **References Cited**

**U.S. PATENT DOCUMENTS**

- 4,539,708 A \* 9/1985 Norris ..... H04B 1/088 455/100
- D282,544 S \* 2/1986 Wu ..... D14/147
- D287,764 S \* 1/1987 Topholm ..... D24/174
- D287,765 S \* 1/1987 Topholm ..... D24/174
- D291,990 S \* 9/1987 Lee ..... D14/143
- 4,691,383 A \* 9/1987 Demars ..... H04B 1/086 379/430
- D295,173 S \* 4/1988 Oren ..... D14/168

- 4,754,484 A \* 6/1988 Larkin ..... H04M 1/05 379/419
- 4,905,270 A \* 2/1990 Ono ..... B60R 11/0247 379/420.01
- D359,733 S \* 6/1995 Fellingner ..... D14/138 AB
- D367,274 S \* 2/1996 Gobindram ..... D14/143
- 6,154,663 A \* 11/2000 Itamochi ..... H04M 1/6066 379/420.04
- D448,359 S \* 9/2001 Do ..... D14/223
- D459,314 S \* 6/2002 Flick ..... D10/104.1
- D470,833 S \* 2/2003 Rath ..... D14/205
- D472,889 S \* 4/2003 Tanaka ..... D14/206
- D477,593 S \* 7/2003 Komiyama ..... D14/223
- D477,822 S \* 7/2003 Komiyama ..... D14/223
- D478,573 S \* 8/2003 Wrisley ..... D14/223
- D478,576 S \* 8/2003 Leong ..... D14/223
- D481,709 S \* 11/2003 Solderits ..... D14/223
- D482,022 S \* 11/2003 Nakano ..... D14/223
- D495,665 S \* 9/2004 Stekelenburg ..... D13/168
- D505,415 S \* 5/2005 Han ..... D14/223
- D505,938 S \* 6/2005 Tse ..... D14/188
- D508,479 S \* 8/2005 Okada ..... D14/206

(Continued)

*Primary Examiner* — Paula Allen Greene

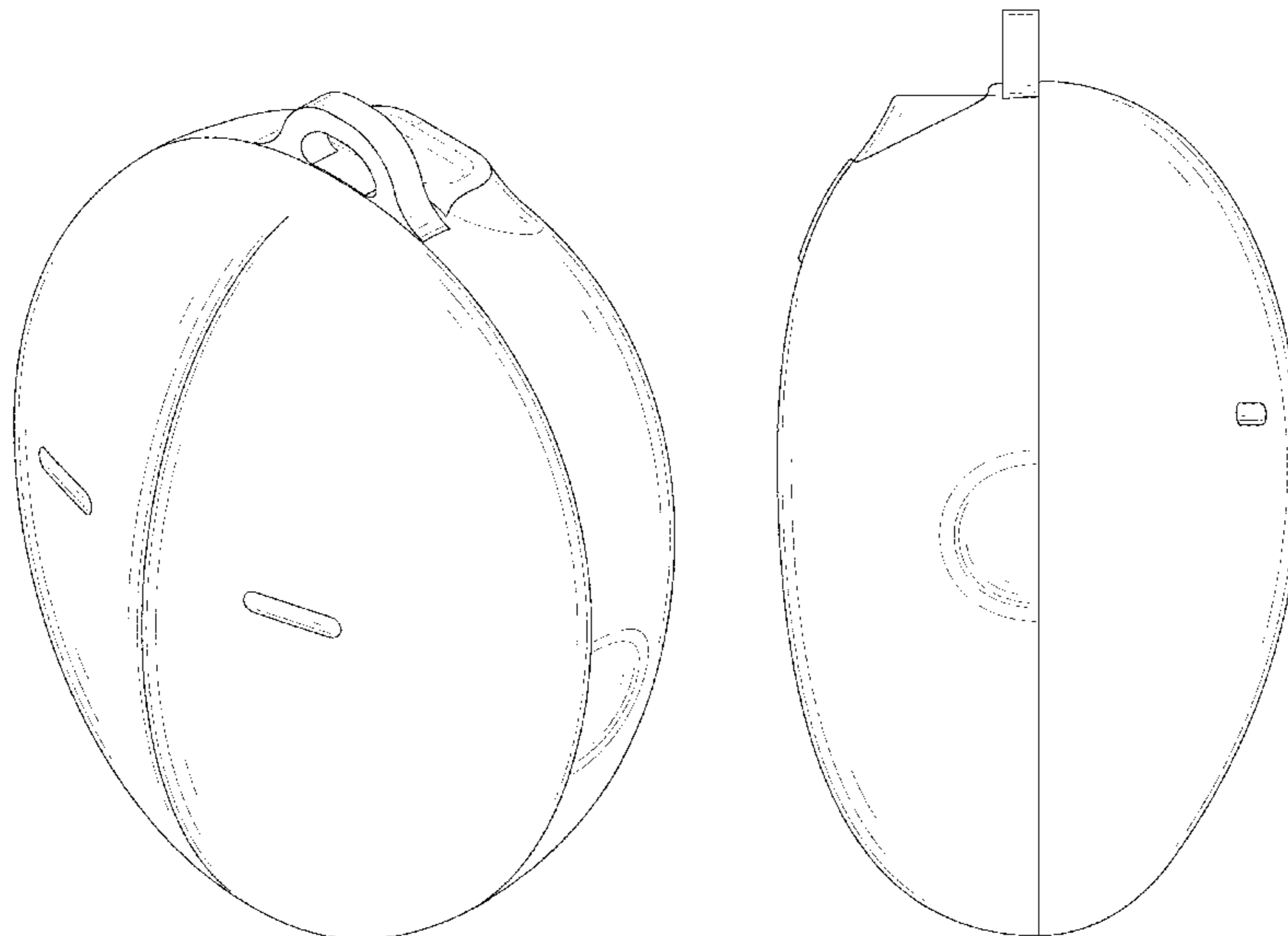
(57) **CLAIM**

The ornamental design for wireless headset, as shown and described.

**DESCRIPTION**

FIG. 1 is a perspective view of a wireless headset showing my design;  
 FIG. 2 is a front view thereof;  
 FIG. 3 is a back view thereof;  
 FIG. 4 is a left side view thereof;  
 FIG. 5 is a right side view thereof;  
 FIG. 6 is a top view thereof; and,  
 FIG. 7 is a bottom view thereof.  
 The broken lines shown in the drawings depict portions of the wireless headset in which the design is embodied that form no part of the claimed design.

**1 Claim, 7 Drawing Sheets**



(56)

References Cited

U.S. PATENT DOCUMENTS

D514,095 S \* 1/2006 Wilson ..... D14/223  
 D517,052 S \* 3/2006 Skulley ..... D14/223  
 7,120,267 B2 \* 10/2006 Ito ..... H04M 1/05  
 381/375  
 D537,438 S \* 2/2007 Hermansen ..... D14/223  
 D542,282 S \* 5/2007 Yoshiyama ..... D14/223  
 D543,972 S \* 6/2007 Taylor ..... D14/223  
 D559,837 S \* 1/2008 Nakano ..... D14/223  
 D566,051 S \* 4/2008 Govindasamy ..... D13/168  
 D567,790 S \* 4/2008 Cardoso ..... D14/138 R  
 7,356,362 B2 \* 4/2008 Chang ..... H04R 1/1033  
 379/430  
 D584,293 S \* 1/2009 Kim ..... D14/223  
 D584,720 S 1/2009 Houy  
 D596,623 S \* 7/2009 Laine ..... D14/218  
 D604,725 S \* 11/2009 Chen ..... D13/184  
 D609,213 S \* 2/2010 Yeo ..... D14/203.1  
 D612,361 S \* 3/2010 Wright ..... D14/203.1

D614,168 S \* 4/2010 Rogers ..... D14/206  
 D616,873 S 6/2010 Olivier  
 D616,898 S \* 6/2010 Miller ..... D14/203.1  
 D619,117 S \* 7/2010 Unruh ..... D14/203.6  
 D655,277 S \* 3/2012 Wai ..... D14/223  
 D687,417 S \* 8/2013 Koss ..... D14/223  
 8,837,766 B2 \* 9/2014 Liu ..... H04R 1/1066  
 381/381  
 D716,758 S \* 11/2014 Burgett ..... D14/205  
 D719,549 S \* 12/2014 Henry ..... D14/223  
 D726,687 S \* 4/2015 Minarik ..... D14/192  
 D773,437 S \* 12/2016 Lee ..... D14/223  
 D781,269 S \* 3/2017 Choe ..... D14/223  
 D795,225 S \* 8/2017 Sumii ..... D14/223  
 D818,457 S \* 5/2018 Paschke ..... D14/218  
 D848,973 S 5/2019 Karacal  
 2003/0027606 A1 \* 2/2003 Tsai ..... H04M 1/05  
 455/575.2  
 2012/0114160 A1 \* 5/2012 Lin ..... H04R 1/1091  
 381/380

\* cited by examiner

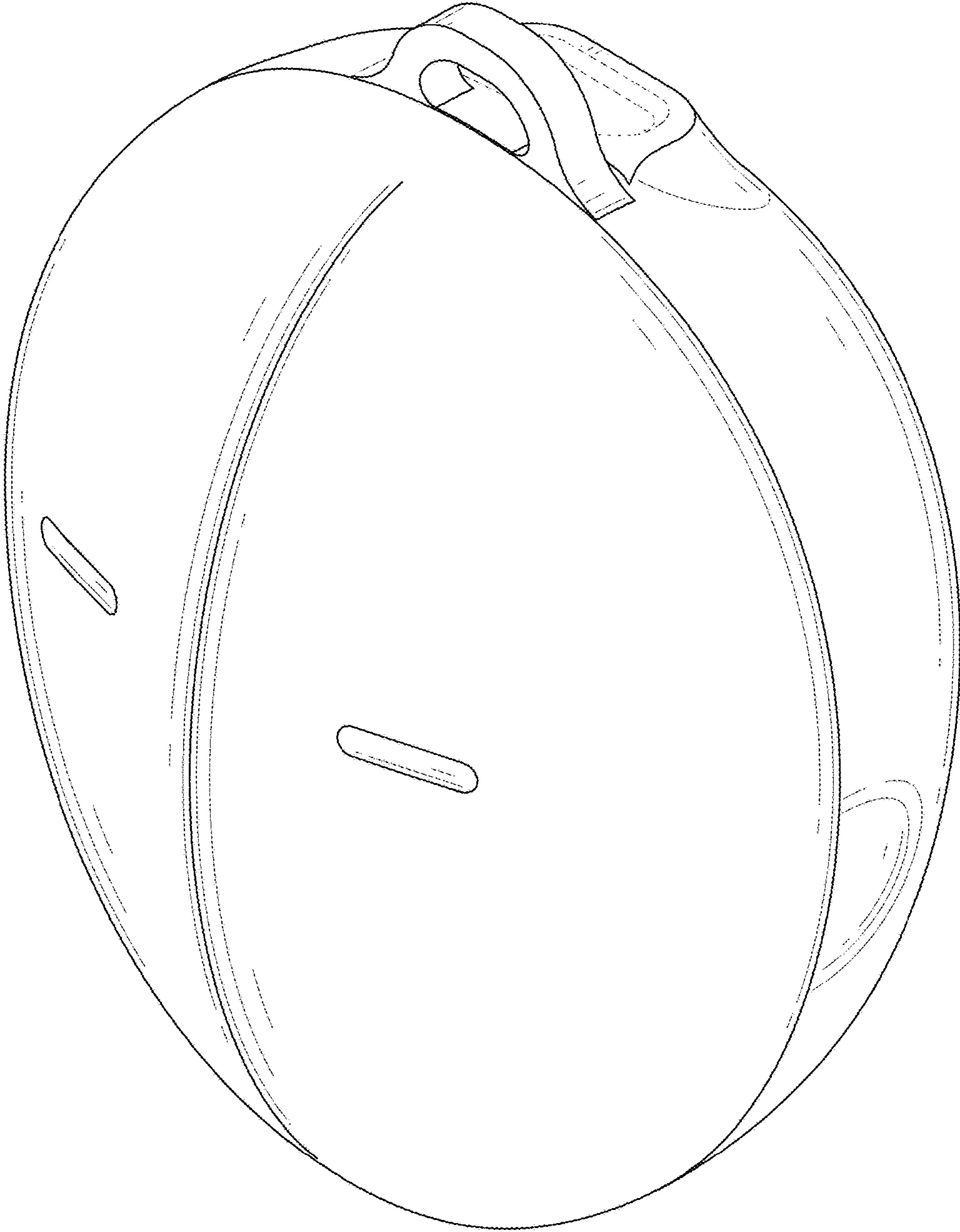


FIG. 1

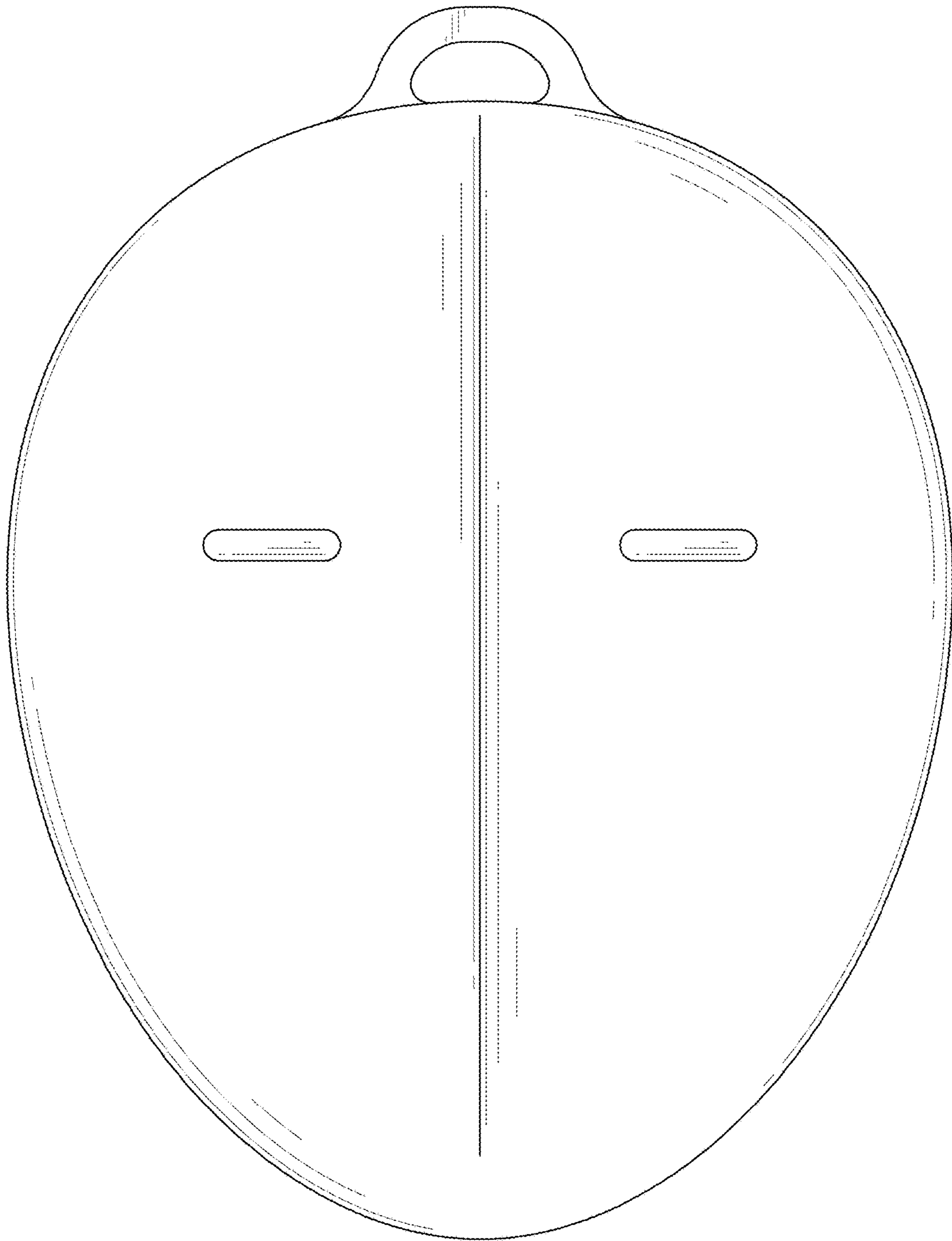


FIG. 2

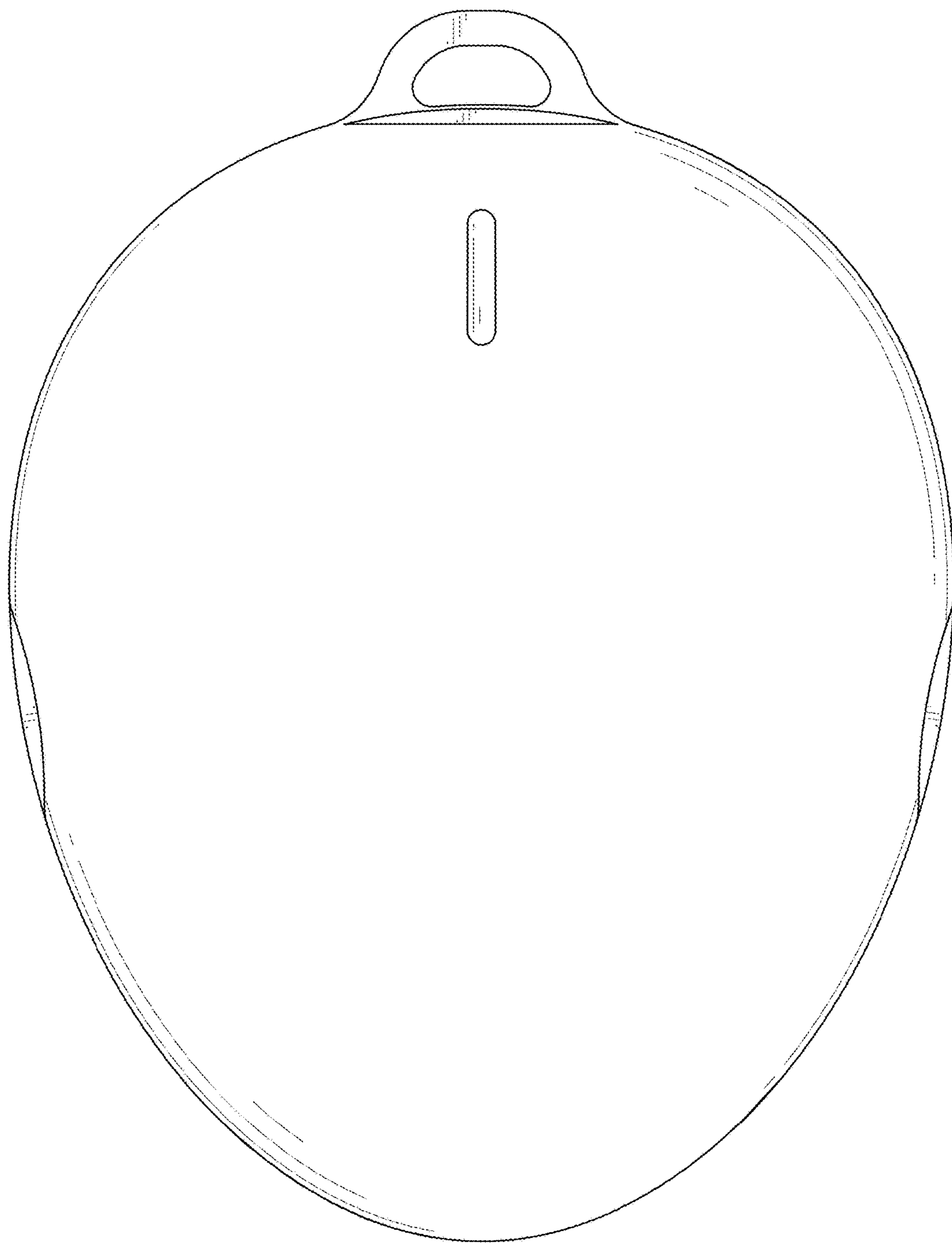


FIG. 3

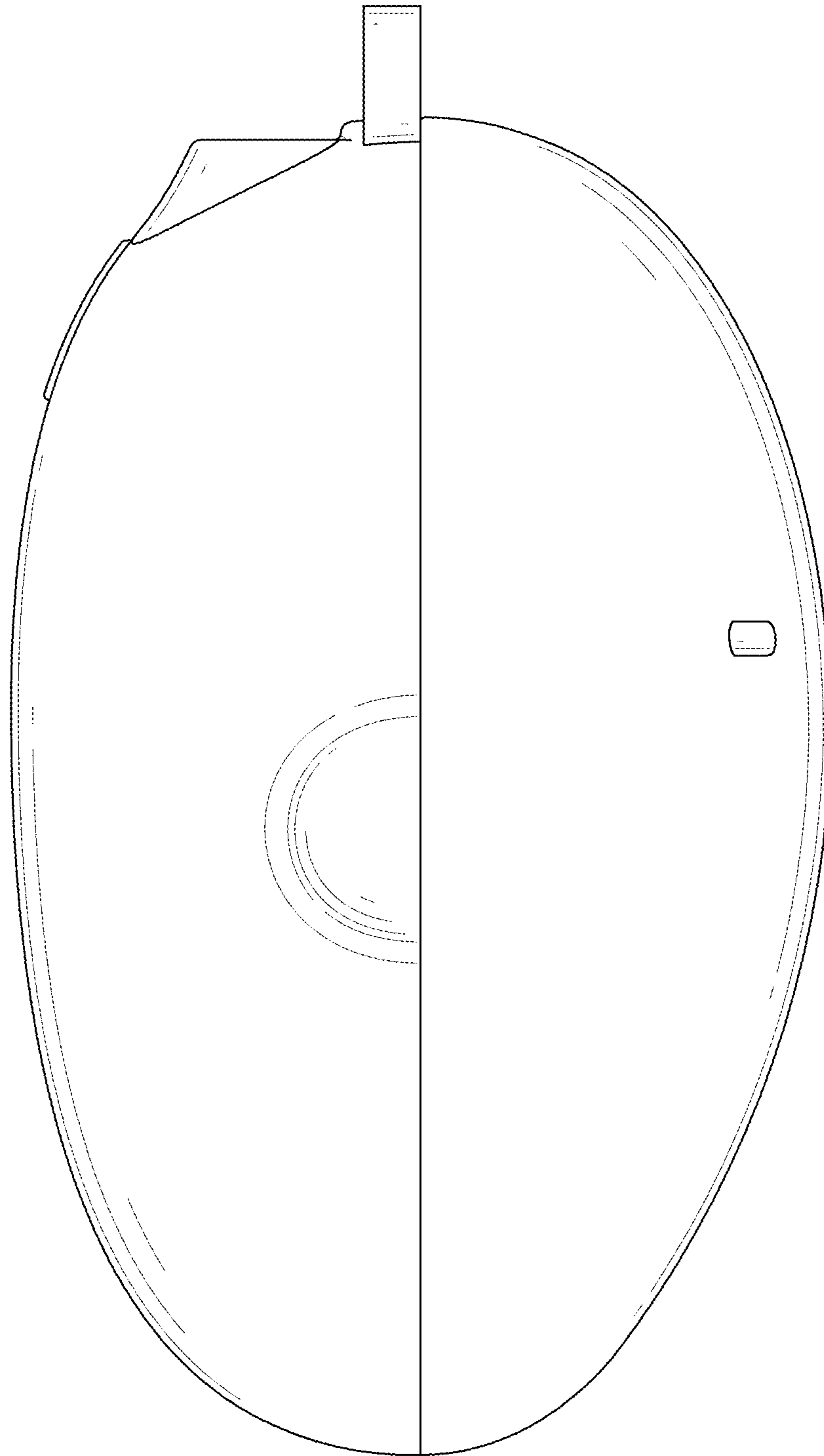


FIG. 4

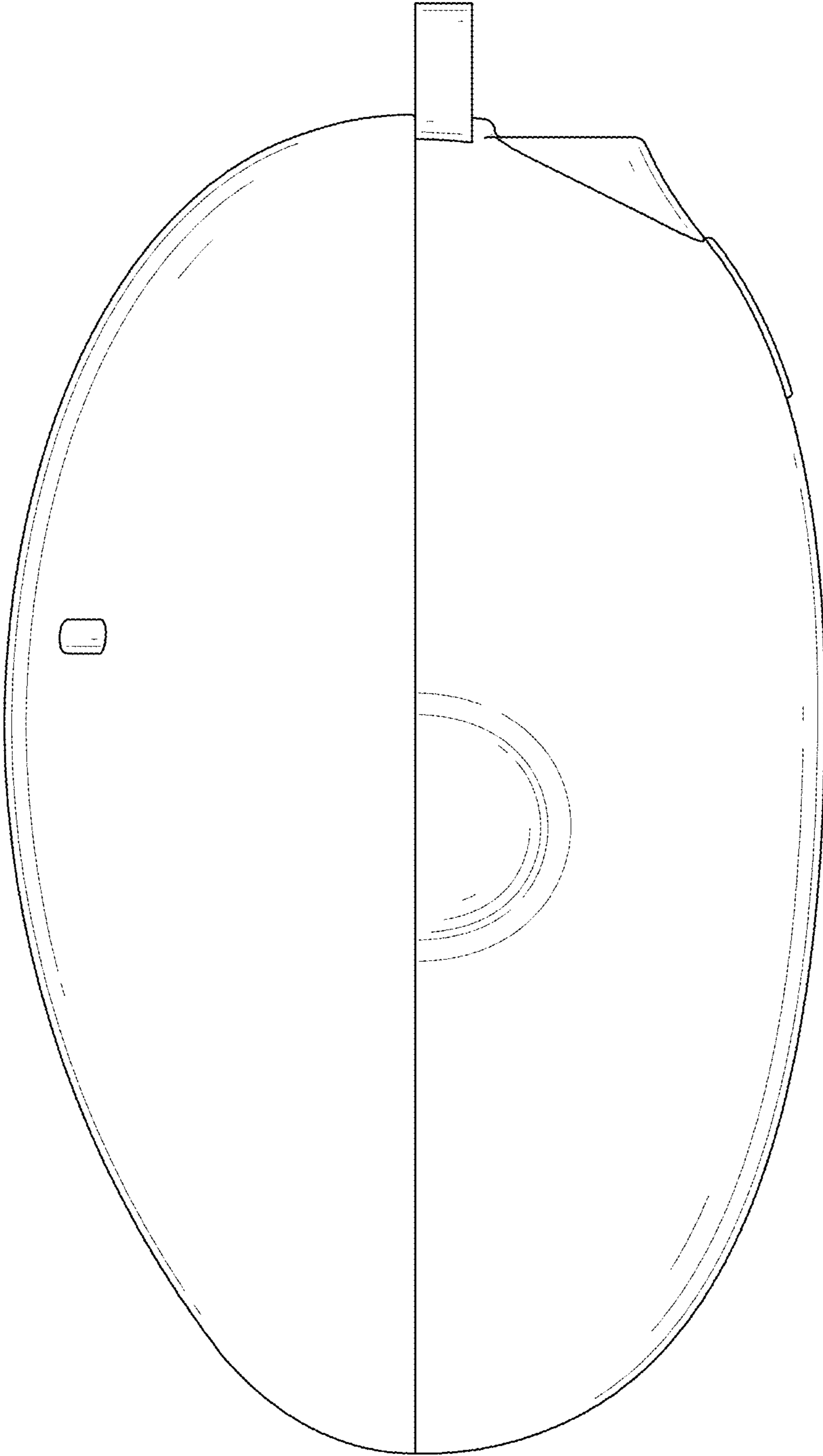


FIG. 5

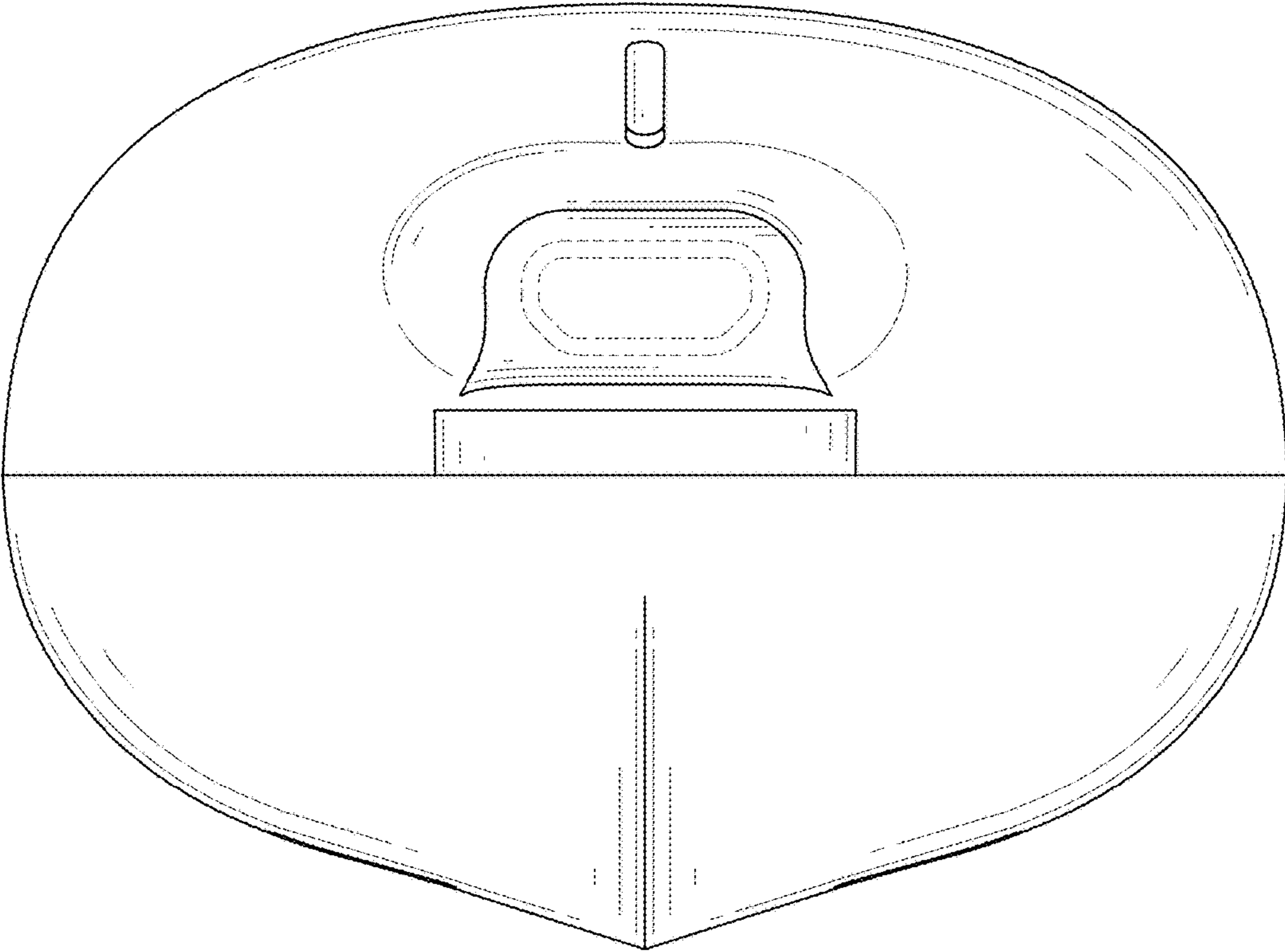


FIG. 6



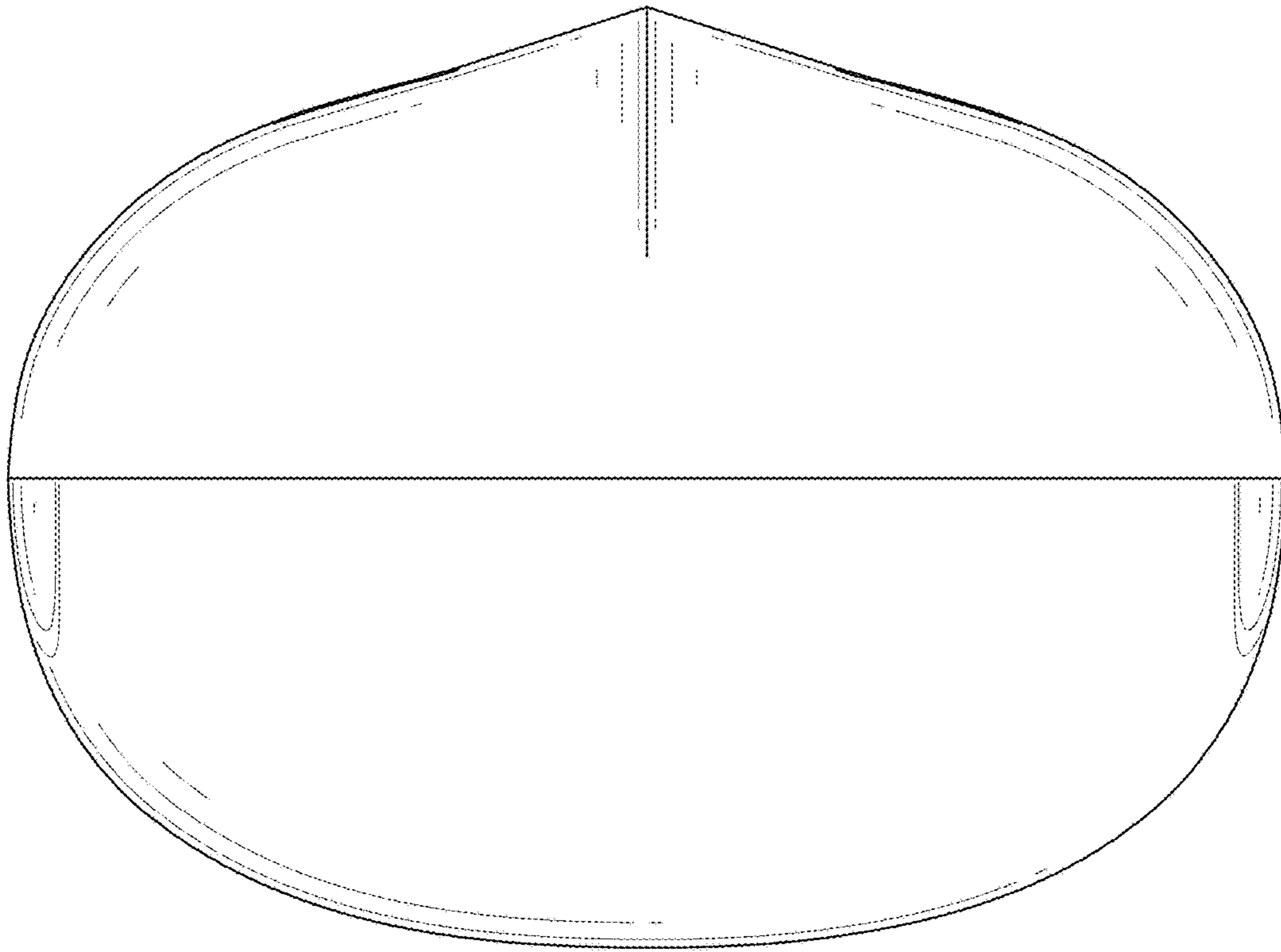


FIG. 7