

US00D862424S

(12) **United States Design Patent**
You

(10) **Patent No.:** **US D862,424 S**

(45) **Date of Patent:** **** Oct. 8, 2019**

- (54) **HEADSET**
- (71) Applicant: **DONGGUANG TINGBEI ELECTRONIC TECHNOLOGY CO., LTD.**, Dongguang, Guangdong (CN)
- (72) Inventor: **Pei You**, Dongguang (CN)
- (73) Assignee: **DONGGUANG TINGBEI ELECTRONIC TECHNOLOGY CO.**, Dongguang, Guangdong (CN)
- (**) Term: **15 Years**
- (21) Appl. No.: **29/653,249**
- (22) Filed: **Jun. 13, 2018**
- (51) **LOC (12) Cl.** **14-01**
- (52) **U.S. Cl.**
USPC **D14/223**
- (58) **Field of Classification Search**
USPC D14/223, 205; D24/174; 128/865, 866, 128/867; 181/129, 130, 135; 379/430, 379/431; 381/380, 381, 322, 328, 329; 455/90.3, 575.1, 569.1
CPC H04R 1/10; H04R 25/00; H04R 25/02; H04R 1/105; H04R 1/1016; H04R 1/1066; H04R 5/033; H04R 5/0335
See application file for complete search history.

- 4,359,708 A * 11/1982 Jarosz H01H 85/10 337/159
- 4,965,838 A * 10/1990 Kamon H04R 1/1016 381/322
- D455,405 S * 4/2002 Bonn D13/158
- D481,374 S * 10/2003 Lee D14/188
- D490,070 S * 5/2004 Lee D14/188
- D496,653 S * 9/2004 Townsend D14/240
- 6,865,279 B2 * 3/2005 Leedom H04R 25/65 381/322
- D512,049 S * 11/2005 Yang D14/205
- 7,079,664 B2 * 7/2006 Nassimi H04R 25/558 381/328
- D531,169 S * 10/2006 Tokioka D14/223
- D536,692 S * 2/2007 Alwicker D14/188
- D555,146 S * 11/2007 Sandy D14/167
- D566,099 S * 4/2008 Komiyama D14/206
- D581,396 S * 11/2008 Wikel D14/206
- D597,084 S * 7/2009 Gondo D14/223
- D603,378 S * 11/2009 Paradise D14/223
- D604,722 S * 11/2009 Mistry D14/223
- D618,211 S * 6/2010 Oguro D14/205

(Continued)

Primary Examiner — Paula Allen Greene

(74) *Attorney, Agent, or Firm* — Juan Carlos A. Marquez; Marquez IP Law Office, PLLC

(57) **CLAIM**

The ornamental design for a headset, as shown and described.

DESCRIPTION

FIG. 1 is a perspective view of a headset, showing my new design;

FIG. 2 is a front view thereof;

FIG. 3 is a rear view thereof;

FIG. 4 is a left-side view thereof;

FIG. 5 is a right-side view thereof;

FIG. 6 is a top view thereof; and,

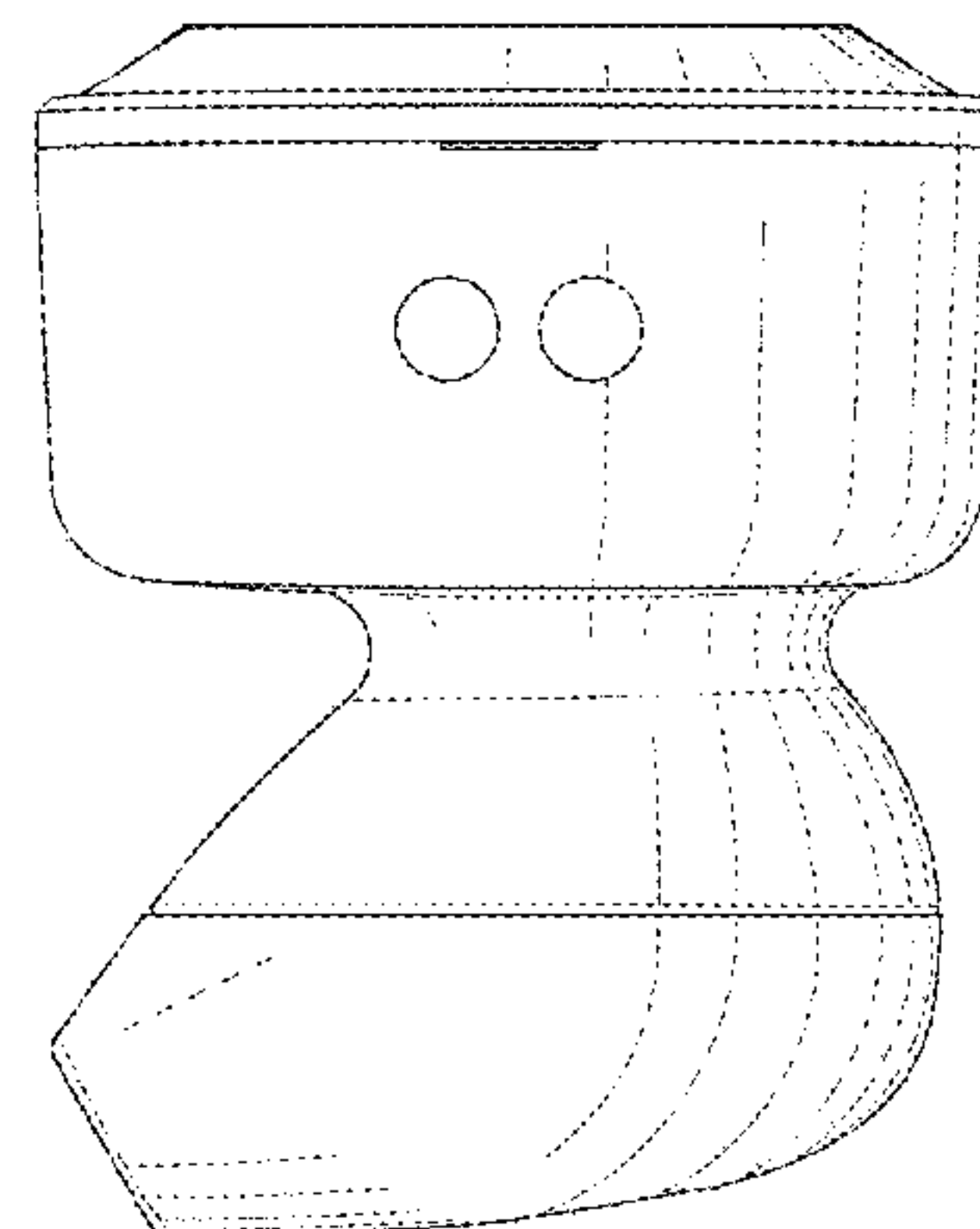
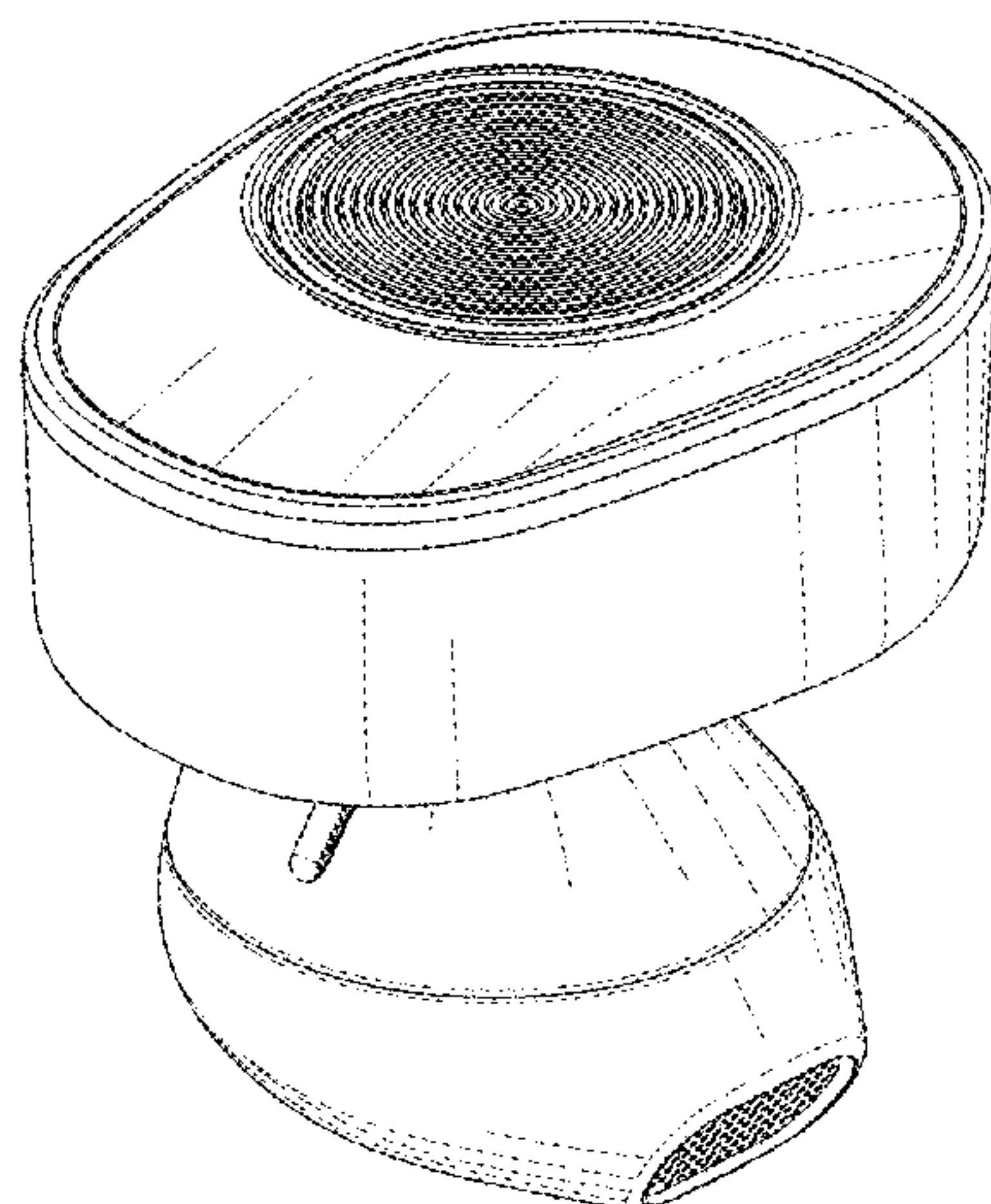
FIG. 7 is a bottom view thereof.

1 Claim, 7 Drawing Sheets

(56) **References Cited**

U.S. PATENT DOCUMENTS

- 2,529,701 A * 11/1950 Maloff G03B 21/625 156/106
- 2,875,543 A * 3/1959 Sylvester B44F 1/00 264/152
- 2,958,148 A * 11/1960 Sylvester B44C 3/042 264/220
- 3,440,365 A * 4/1969 Hazell H04M 1/05 379/430



(56)

References Cited

U.S. PATENT DOCUMENTS

D623,630 S * 9/2010 Ohori D14/223
D631,470 S * 1/2011 Yoneyama D14/223
D632,677 S * 2/2011 Brown D14/223
D641,010 S * 7/2011 Kwon D14/223
D645,457 S * 9/2011 Carr D14/223
D652,823 S * 1/2012 Chen D14/223
D668,244 S * 10/2012 Matsumura D14/223
D685,481 S * 7/2013 Heaysman D24/174
D693,796 S * 11/2013 Birger D14/223
D725,082 S * 3/2015 Palmborg D14/223
D733,102 S * 6/2015 Palmborg D14/223
D733,103 S * 6/2015 Jeong D14/224
9,055,369 B2 * 6/2015 Yang H04R 1/10
D737,251 S * 8/2015 Thompson D14/223
D764,445 S * 8/2016 Czaniecki D14/223
D781,269 S * 3/2017 Choe D14/223
D798,843 S * 10/2017 Valenzuela D14/223
D800,097 S * 10/2017 Chen D14/223
D801,950 S * 11/2017 Otani D14/223
D806,879 S * 1/2018 Horbinski D24/174
D810,054 S * 2/2018 Yuan D14/223
D817,309 S * 5/2018 Czaniecki D14/223
D822,646 S * 7/2018 Dang D14/223
D845,932 S * 4/2019 Lu D14/223
2011/0293130 A1 * 12/2011 Huang H04R 1/1016
381/380
2012/0114160 A1 * 5/2012 Lin H04R 1/1091
381/380
2013/0259286 A1 * 10/2013 Chung H04R 1/1016
381/380
2017/0026738 A1 * 1/2017 Tang H04R 1/1091
2018/0035193 A1 * 2/2018 Tsubone H04R 1/1016

* cited by examiner

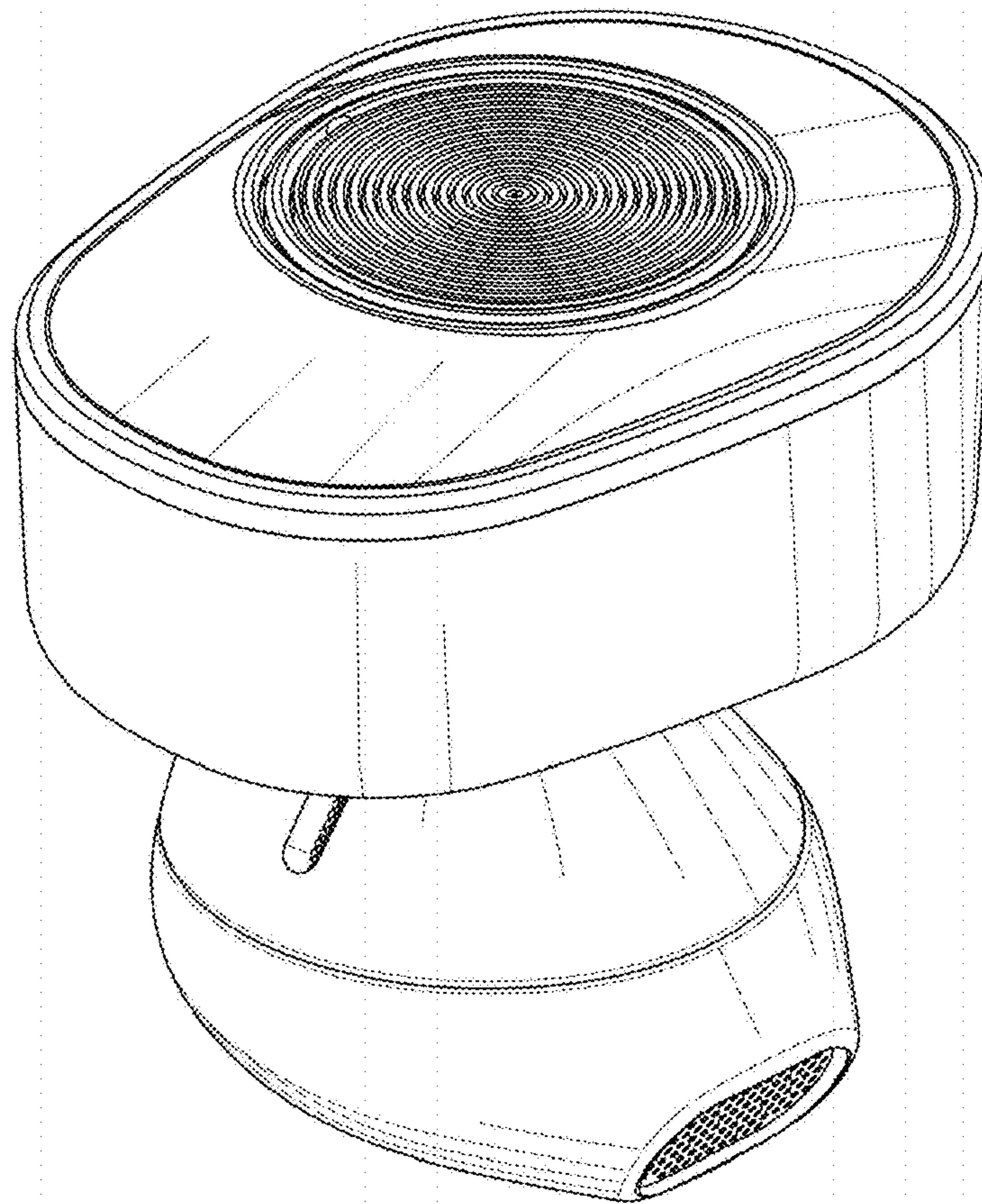


FIG. 1

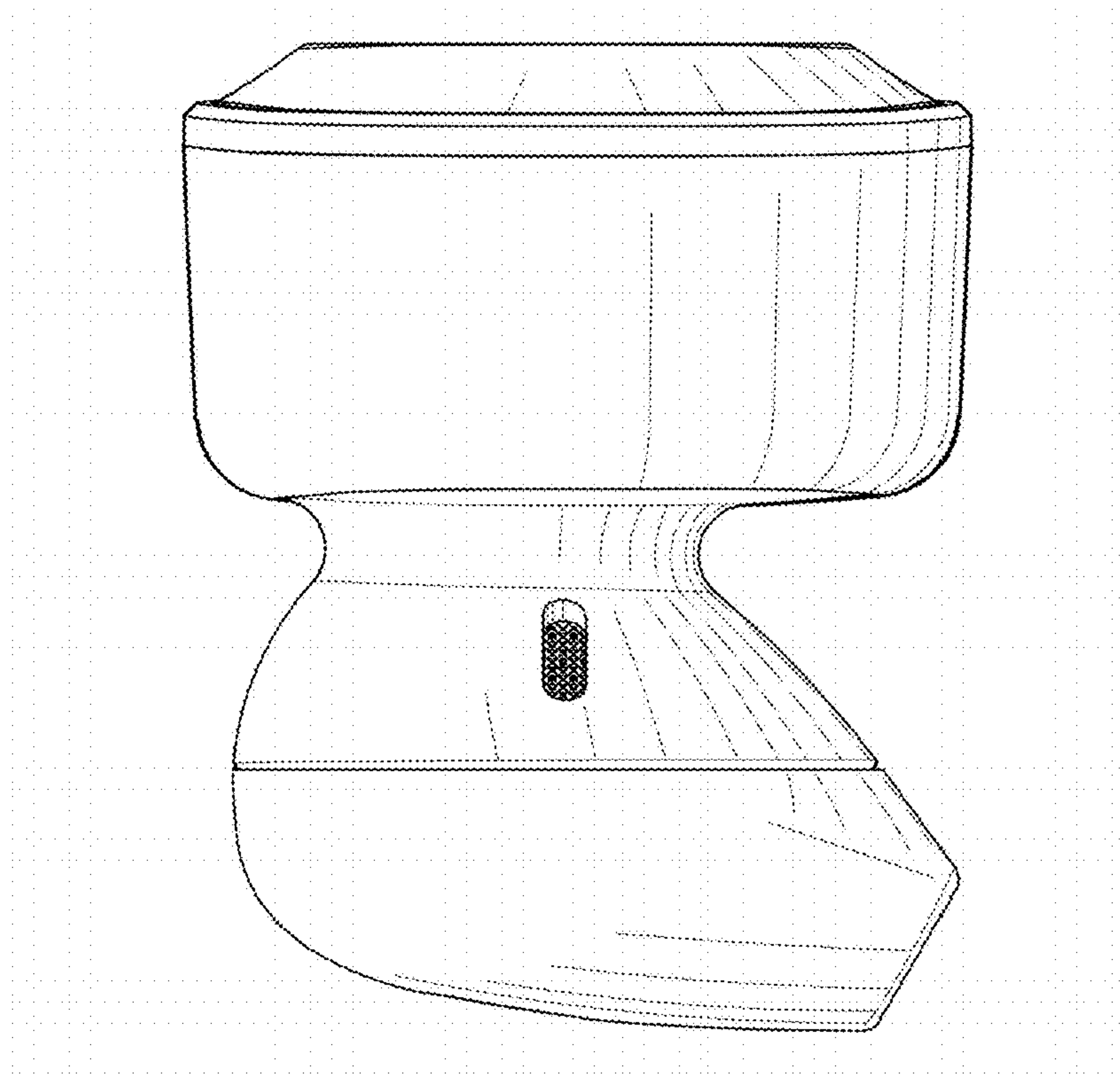


FIG. 2

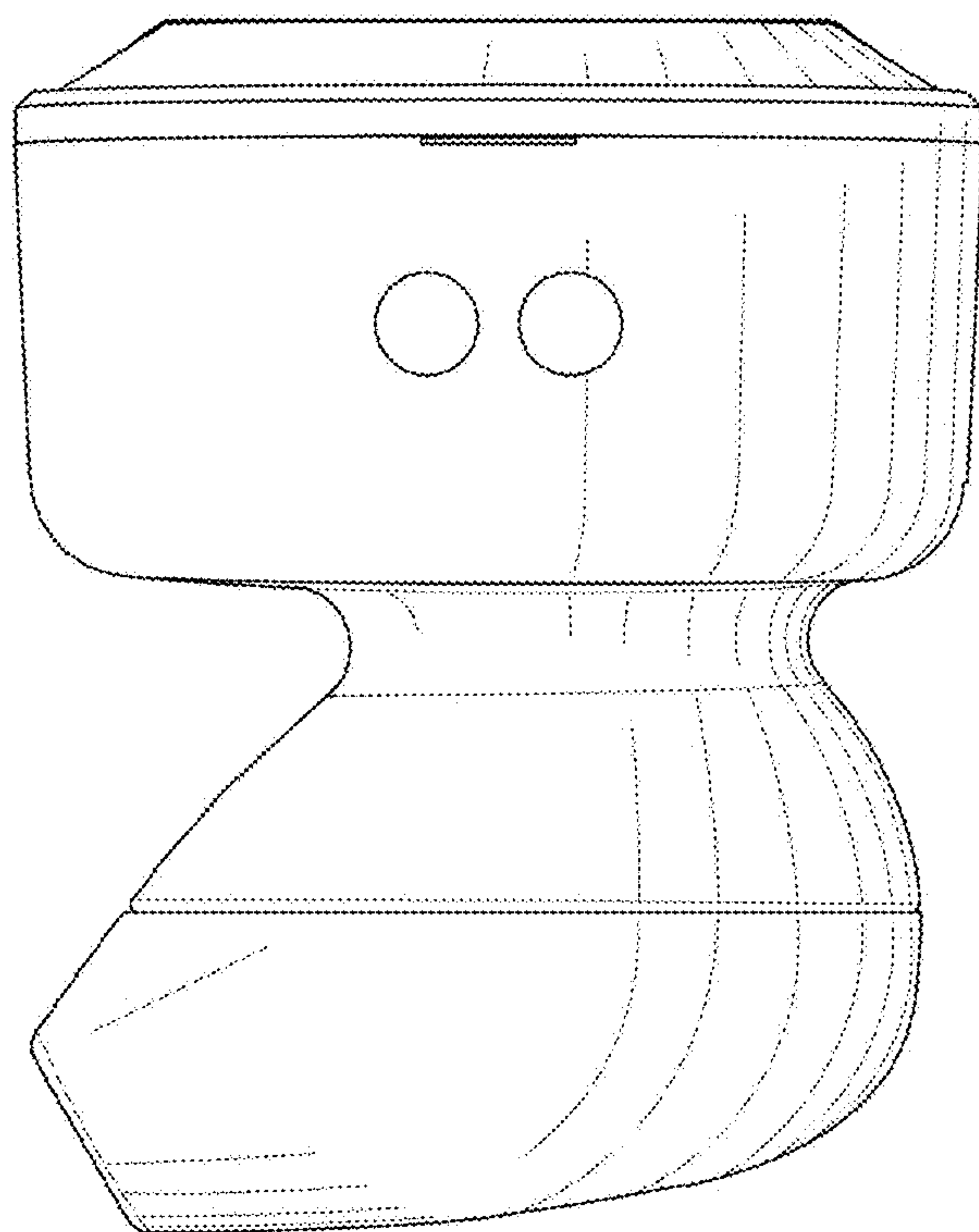


FIG. 3

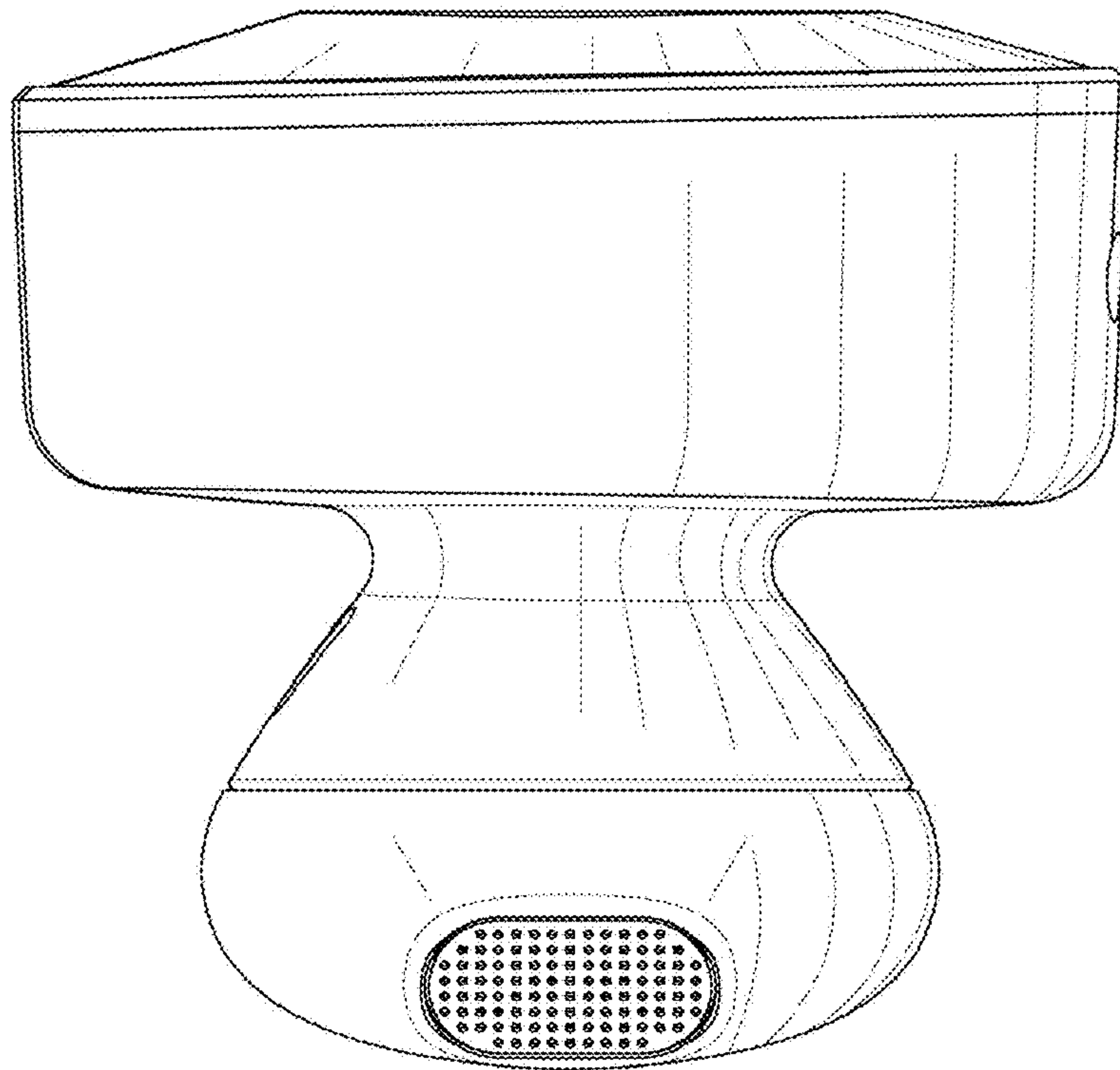


FIG. 4

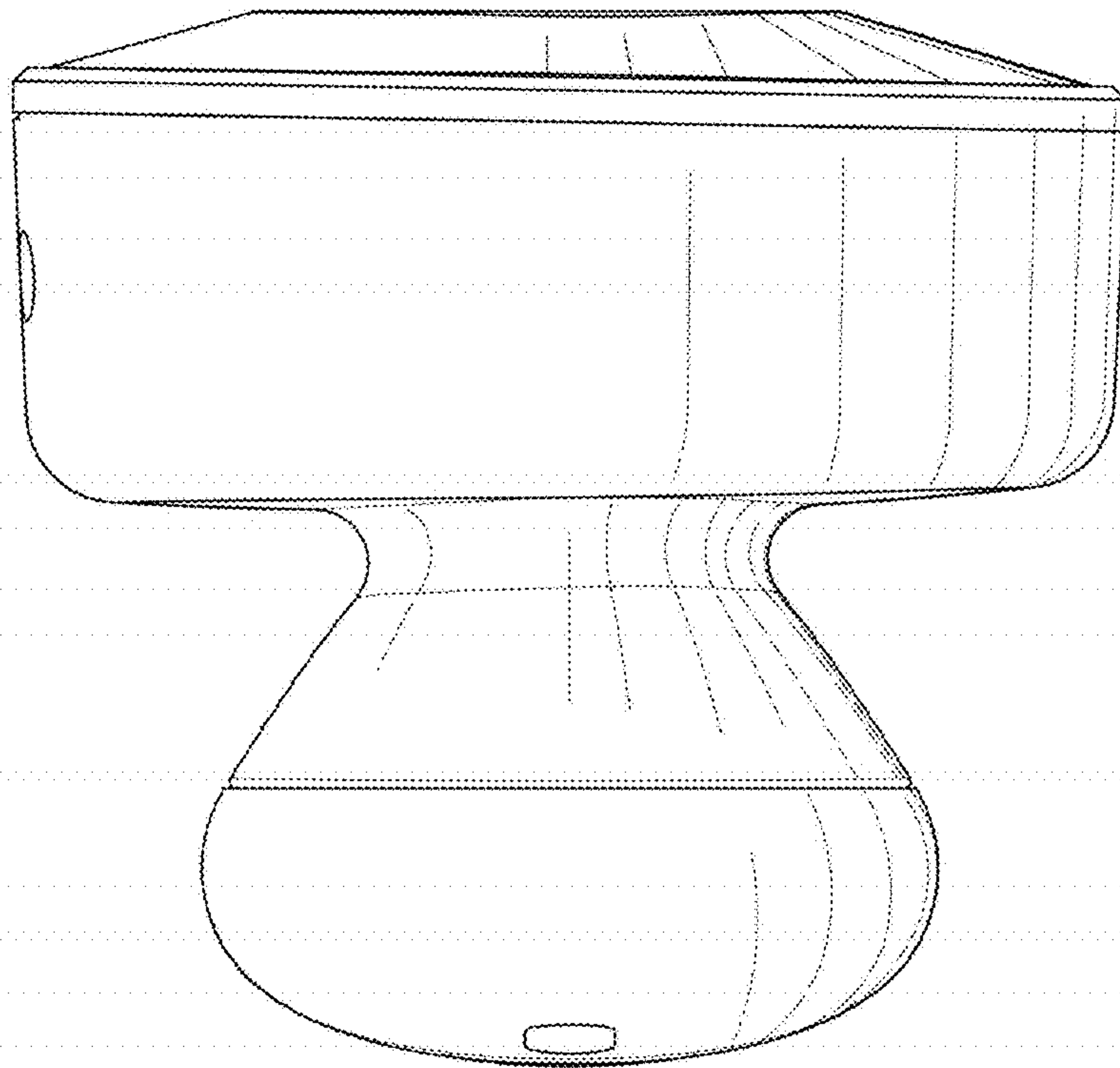


FIG. 5

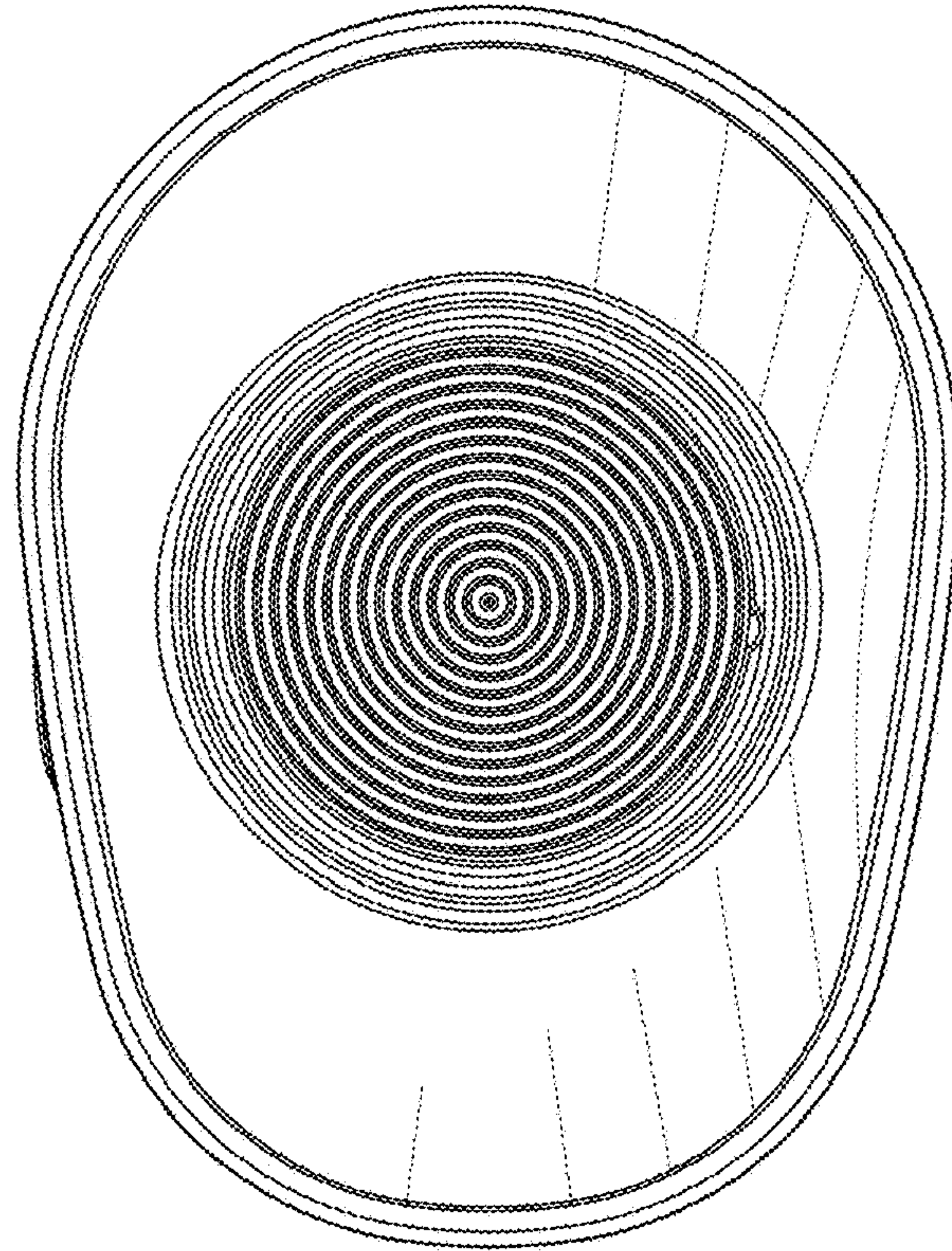


FIG. 6

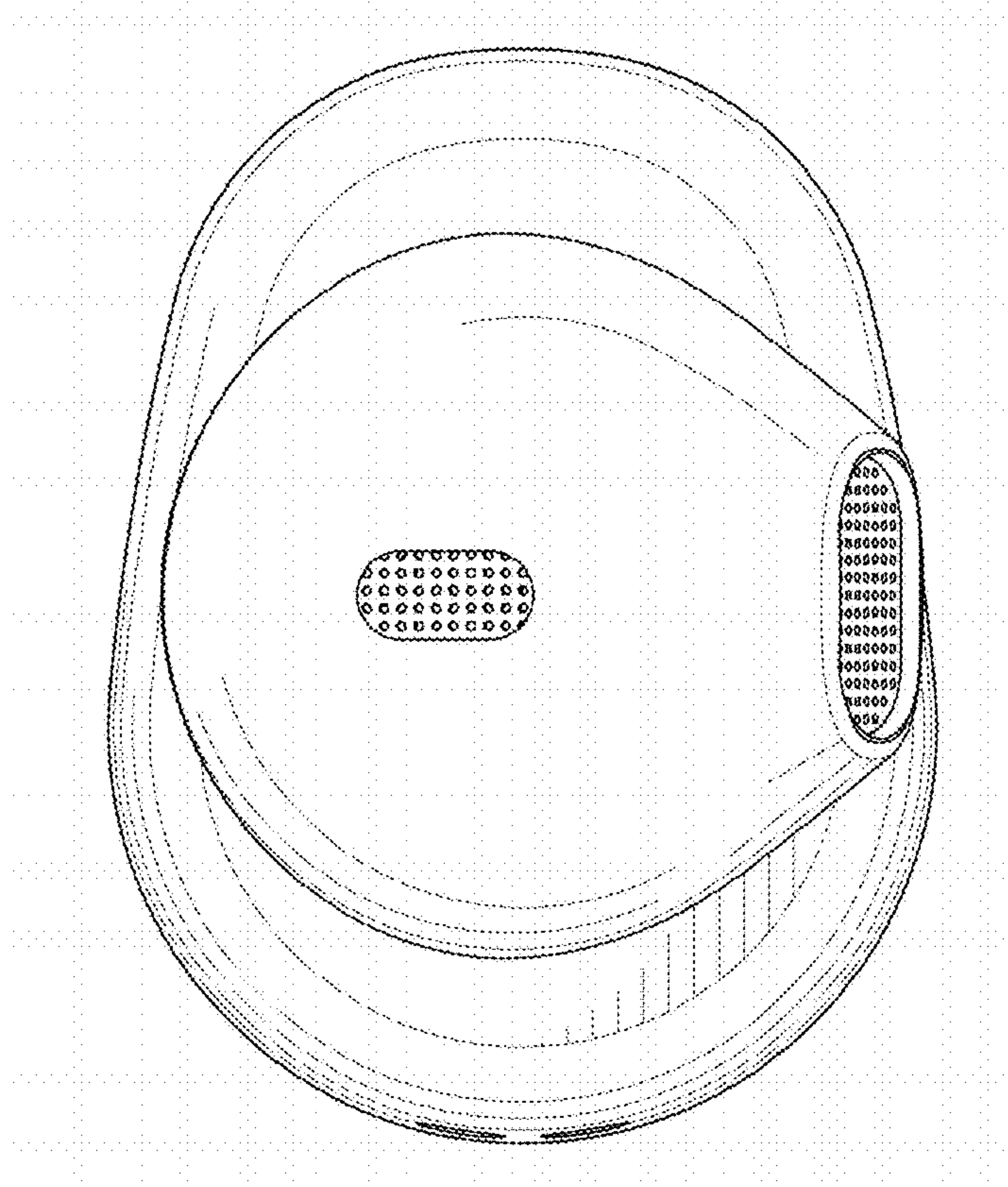


FIG. 7