

US00D862421S

(12) **United States Design Patent** (10) **Patent No.:** **US D862,421 S**  
**Arimoto** (45) **Date of Patent:** **\*\* Oct. 8, 2019**

(54) **REMOTE CONTROL FOR EARPHONE**

D726,831 S \* 4/2015 Lee ..... D13/168  
D728,528 S \* 5/2015 Akana ..... D14/218  
D730,873 S \* 6/2015 Petterson ..... D14/218

(71) Applicant: **JVC KENWOOD Corporation**,  
Yokohama-shi, Kanagawa (JP)

(Continued)

(72) Inventor: **Takuya Arimoto**, Yokohama (JP)

FOREIGN PATENT DOCUMENTS

(73) Assignee: **JVC KENWOOD Corporation**,  
Yokohama-Shi (JP)

EM 004156404-0002 \* 9/2017

(\*\*) Term: **15 Years**

OTHER PUBLICATIONS

(21) Appl. No.: **29/615,029**

Amazon.com: In-Ear Earbuds Headphones with Mic Controller, reviews 2018, <https://www.amazon.com/Headphones-Controller-Isolating-Earphones-Exercise/dp/B078MBR62T#customerReviews>, site visited Mar. 4, 2019.\*

(22) Filed: **Aug. 25, 2017**

(Continued)

(30) **Foreign Application Priority Data**

*Primary Examiner* — John Windmuller

Apr. 14, 2017 (JP) ..... 2017-008042

*Assistant Examiner* — John R Yeh

(51) **LOC (12) Cl.** ..... **14-03**

(74) *Attorney, Agent, or Firm* — Amin, Turocy & Watson LLP

(52) **U.S. Cl.**  
USPC ..... **D14/218**

(57) **CLAIM**

(58) **Field of Classification Search**  
USPC ..... D14/218; D13/168  
CPC ..... G09G 5/00; G06F 3/033  
See application file for complete search history.

The ornamental design for a remote control for earphone, as shown and described.

**DESCRIPTION**

(56) **References Cited**

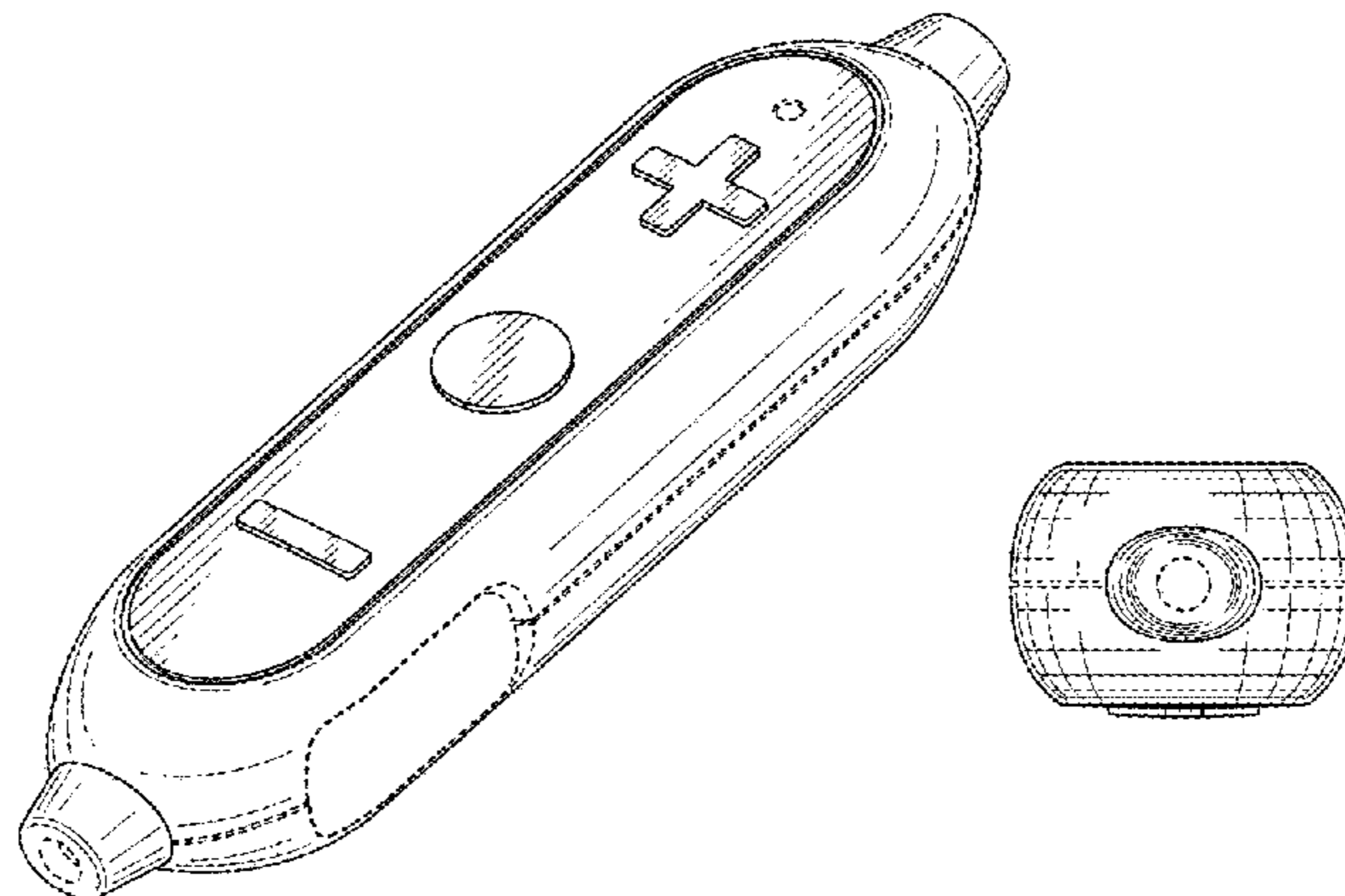
FIG. 1 is a front and right-side perspective view of a remote control for earphone showing my new design; FIG. 2 is a front elevational view thereof; FIG. 3 is a rear elevational view thereof; FIG. 4 is a top plan view thereof; FIG. 5 is a bottom plan view thereof; FIG. 6 is a right-side elevational view thereof; FIG. 7 is a left-side elevational view thereof; and, FIG. 8 is a reference perspective view thereof, showing a state for use with earphone and cables.

U.S. PATENT DOCUMENTS

D271,301 S \* 11/1983 Manning ..... D13/168  
D334,043 S \* 3/1993 Taniguchi ..... D14/218  
D524,295 S \* 7/2006 Jacobson ..... D14/218  
D524,297 S \* 7/2006 Lee ..... D14/218  
D569,841 S \* 5/2008 Chung ..... D14/205  
D606,980 S \* 12/2009 Bradford ..... D14/218  
D614,166 S \* 4/2010 Brickstad ..... D14/205  
D614,167 S \* 4/2010 Brickstad ..... D14/205  
D687,416 S \* 8/2013 Lee ..... D14/218  
D716,268 S \* 10/2014 Yamamoto ..... D14/218  
D716,758 S \* 11/2014 Burgett ..... D14/205  
D718,273 S \* 11/2014 Harata ..... D14/205

The broken lines depict portions of the remote control for earphone that form no part of the claimed design. In FIG. 8, the broken lines showing of earphone and cables illustrate environment and form no part of the claimed design.

**1 Claim, 5 Drawing Sheets**



(56)

**References Cited**

U.S. PATENT DOCUMENTS

D743,381 S *	11/2015	Pi .....	D14/218
D747,293 S *	1/2016	Mistry .....	D13/168
D788,077 S *	5/2017	Ducret .....	D14/218
D793,995 S *	8/2017	Nakagawa .....	D14/218
D813,204 S *	3/2018	Ducret .....	D14/218
D822,643 S *	7/2018	Chen .....	D14/218
2014/0254848 A1 *	9/2014	Petterson .....	H04R 1/1041 381/334

OTHER PUBLICATIONS

Amazon.com: JVC HAFR6B Gumy Plus Headphones, reviews 2015, <https://www.amazon.com/JVC-HAFR6B-Gumy-Headphones-Black/dp/B008SOSE6M#customerReviews>, site visited Mar. 4, 2019.\*  
Amazon.com: JVC Wireless Earbud, reviews 2018, [https://www.amazon.com/JVC-Wireless-Earbud-Black-HAFX9BTB/dp/B076FBXNHD/ref=cm\\_cr\\_arp\\_d\\_product\\_top?ie=UTF8](https://www.amazon.com/JVC-Wireless-Earbud-Black-HAFX9BTB/dp/B076FBXNHD/ref=cm_cr_arp_d_product_top?ie=UTF8), site visited Mar. 4, 2019.\*

\* cited by examiner

FIG. 1

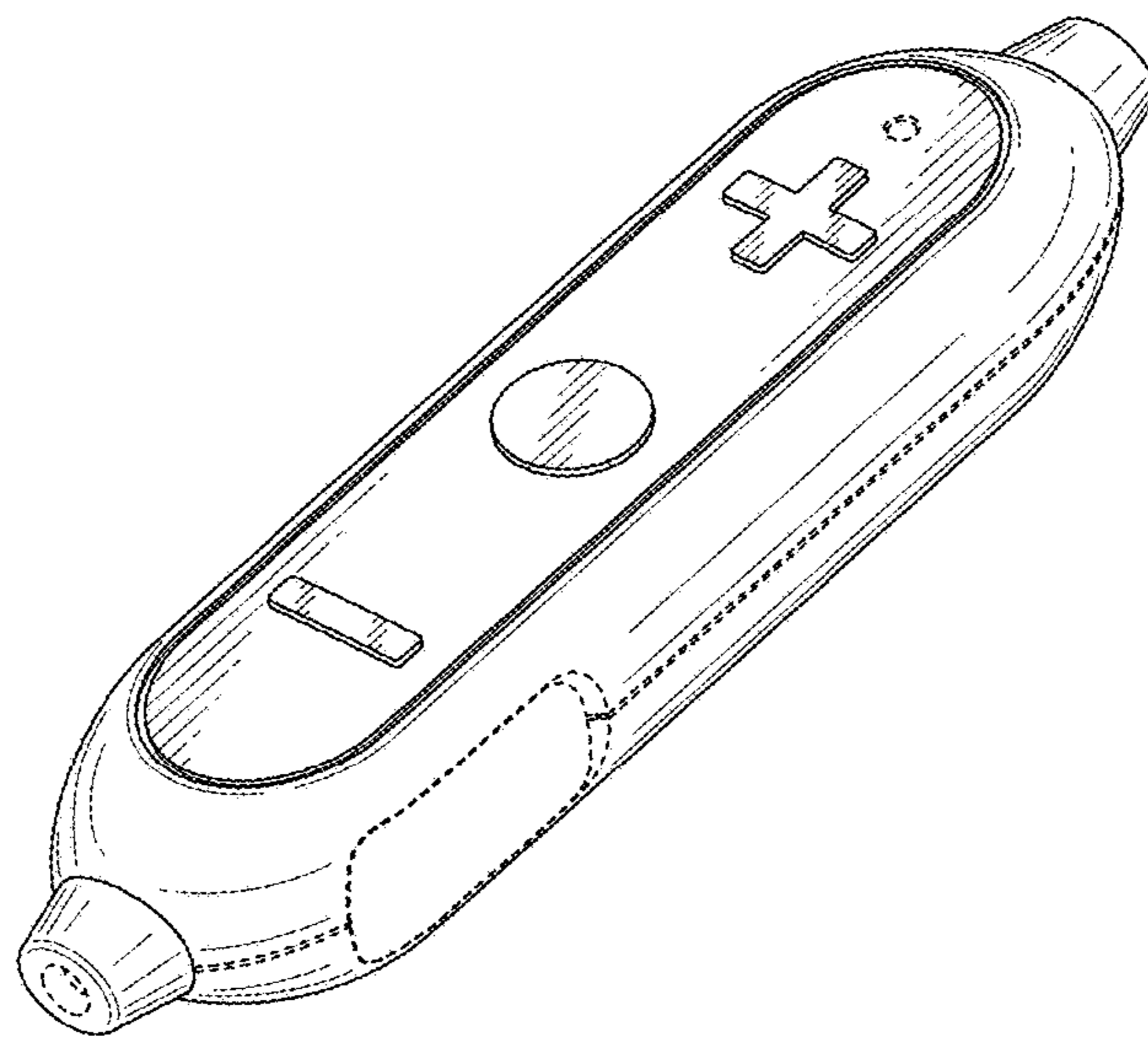


FIG. 2

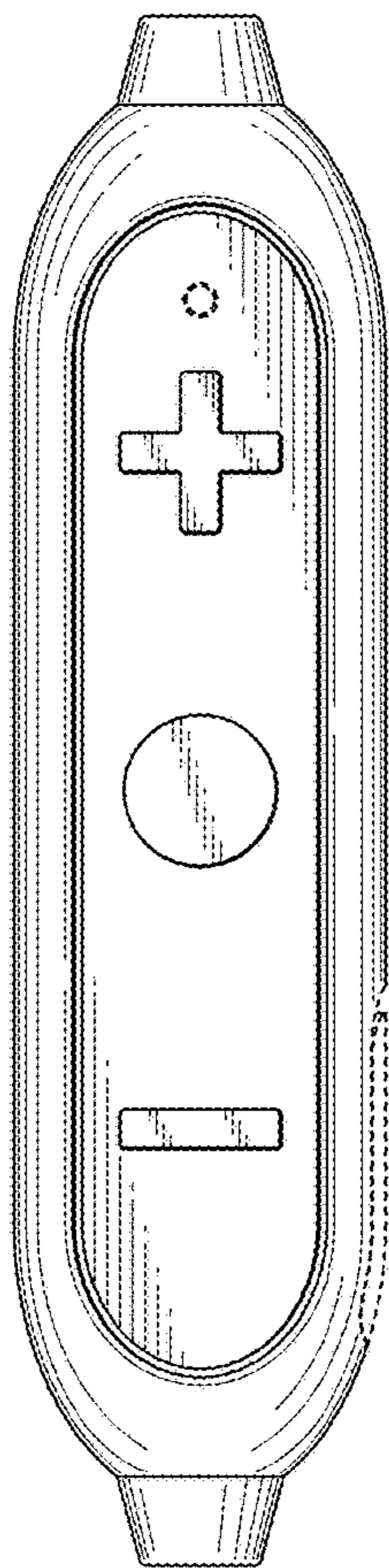
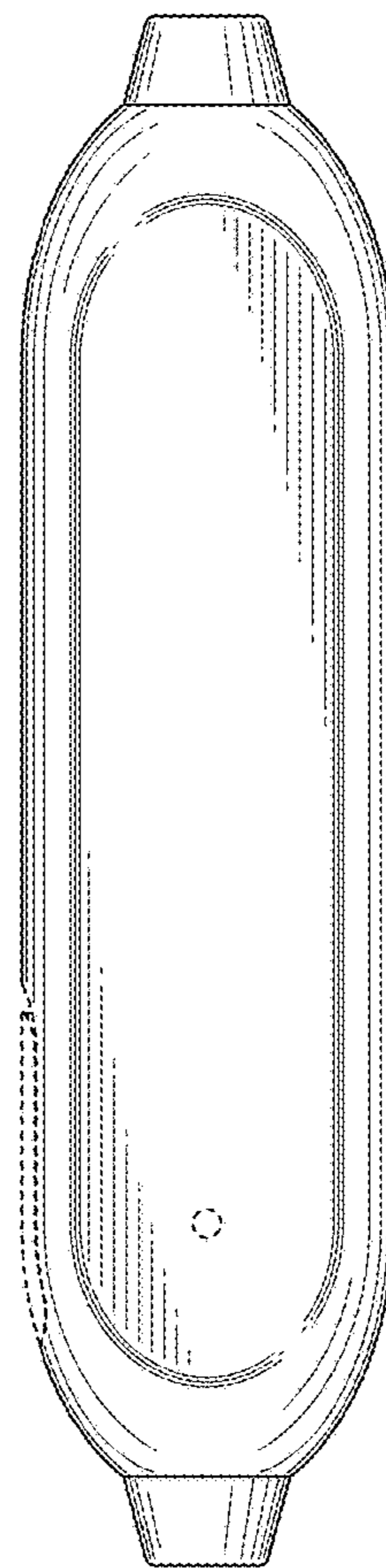
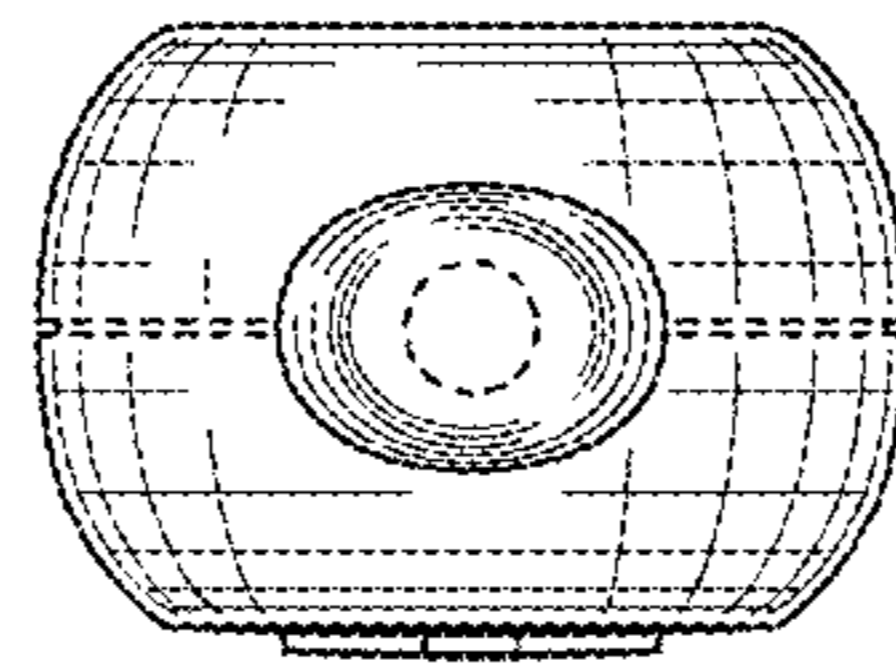


FIG. 3



*FIG. 4*



*FIG. 5*

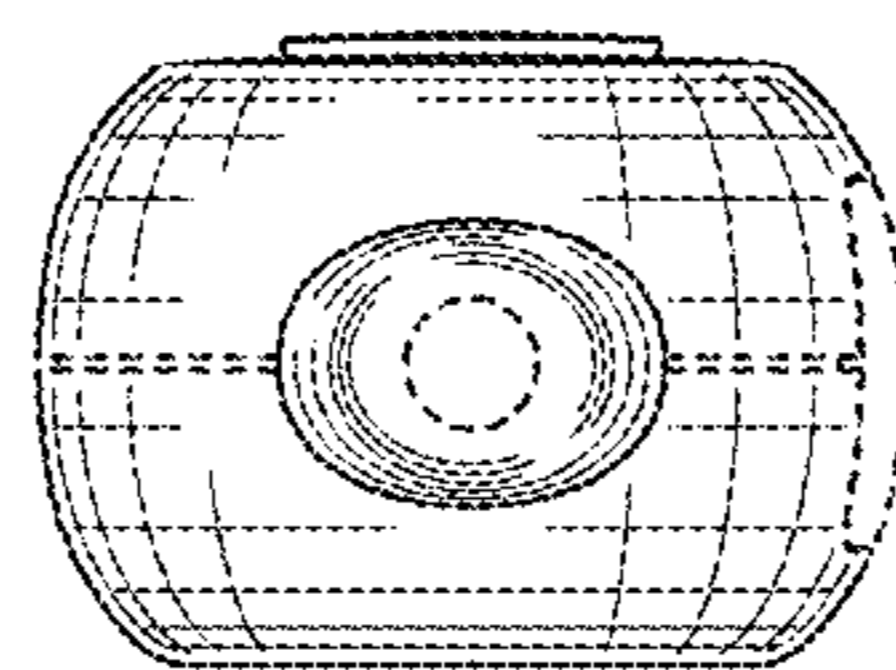


FIG. 6

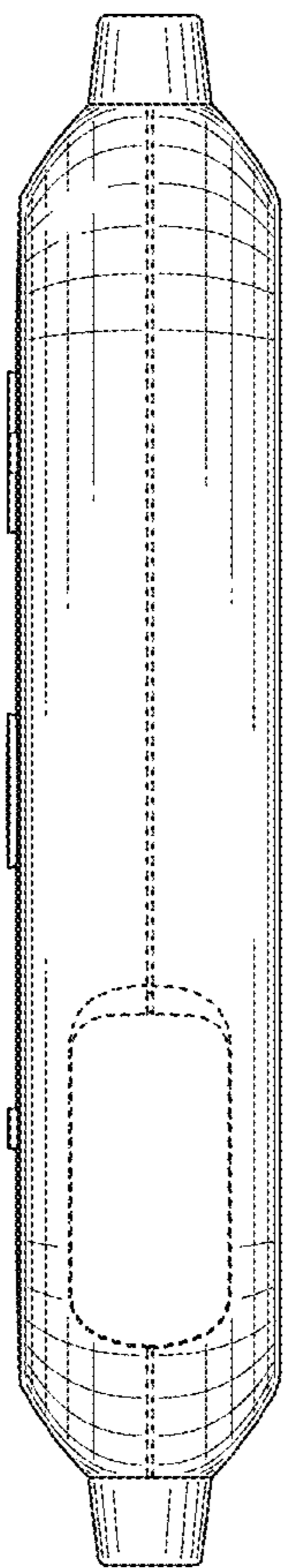


FIG. 7

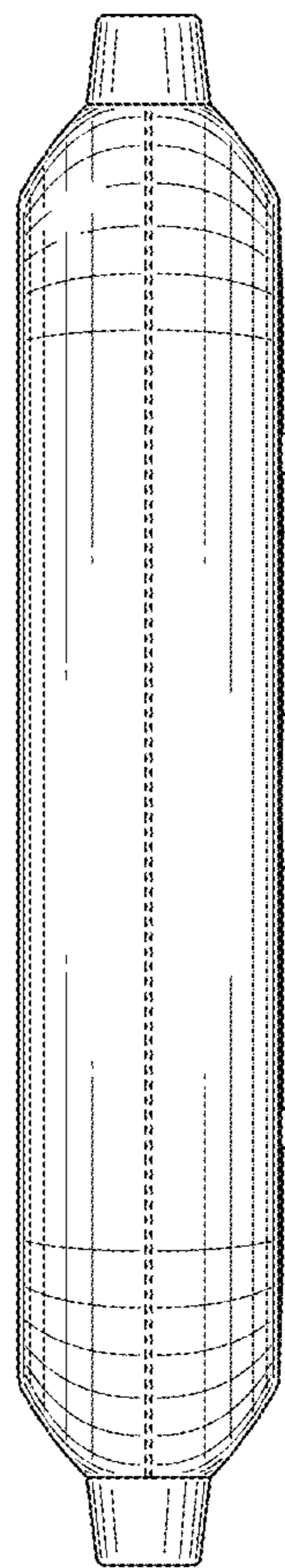


FIG. 8

