



US00D862420S

(12) **United States Design Patent**  
**Yang et al.**

(10) **Patent No.:** **US D862,420 S**

(45) **Date of Patent:** **\*\* \*Oct. 8, 2019**

(54) **CLIP ACCESSORY FOR PERSONAL COMMUNICATION DEVICE**

(71) Applicant: **Moon Selfie, Inc.**, Quincy, MA (US)

(72) Inventors: **Dishen Yang**, Quincy, MA (US);  
**Edward Madongorere**, Lowell, MA (US)

(73) Assignee: **Moon Selfie, Inc.**, Quincy, MA (US)

(\*) Notice: This patent is subject to a terminal disclaimer.

(\*\*) Term: **15 Years**

(21) Appl. No.: **29/611,751**

(22) Filed: **Jul. 25, 2017**

(51) **LOC (12) Cl.** ..... **14-03**

(52) **U.S. Cl.**  
USPC ..... **D14/217**

(58) **Field of Classification Search**  
USPC ..... D14/240, 242, 356, 358, 432, 433;  
D11/40, 41, 42, 78.1, 79, 85, 88;  
D16/237, 239; D26/51, 52, 60  
CPC ..... G03B 15/02; F21L 4/00; F21V 23/0414;  
F21V 21/08; H04N 7/142; H04N  
1/00307; H04M 1/0264; F21Y 2101/02  
See application file for complete search history.

(56) **References Cited**

**U.S. PATENT DOCUMENTS**

D443,261 S \* 6/2001 Yuyama ..... D14/223  
D464,638 S \* 10/2002 Huang ..... D14/205

D474,762 S \* 5/2003 Moberg ..... D14/217  
D524,293 S \* 7/2006 Takagi ..... D14/217  
D687,018 S \* 7/2013 Afshar ..... D14/204  
D758,995 S \* 6/2016 Vellozo Luz ..... D14/217  
D788,080 S \* 5/2017 Turksu ..... D14/224  
D796,490 S \* 9/2017 Lian ..... D14/217  
D801,312 S \* 10/2017 Birger ..... H04R 1/1016  
D14/223  
D810,053 S \* 2/2018 Otani ..... D14/223  
D822,635 S \* 7/2018 Ando ..... D14/205

\* cited by examiner

*Primary Examiner* — Khawaja Anwar

(74) *Attorney, Agent, or Firm* — Gesmer Updegrove LLP

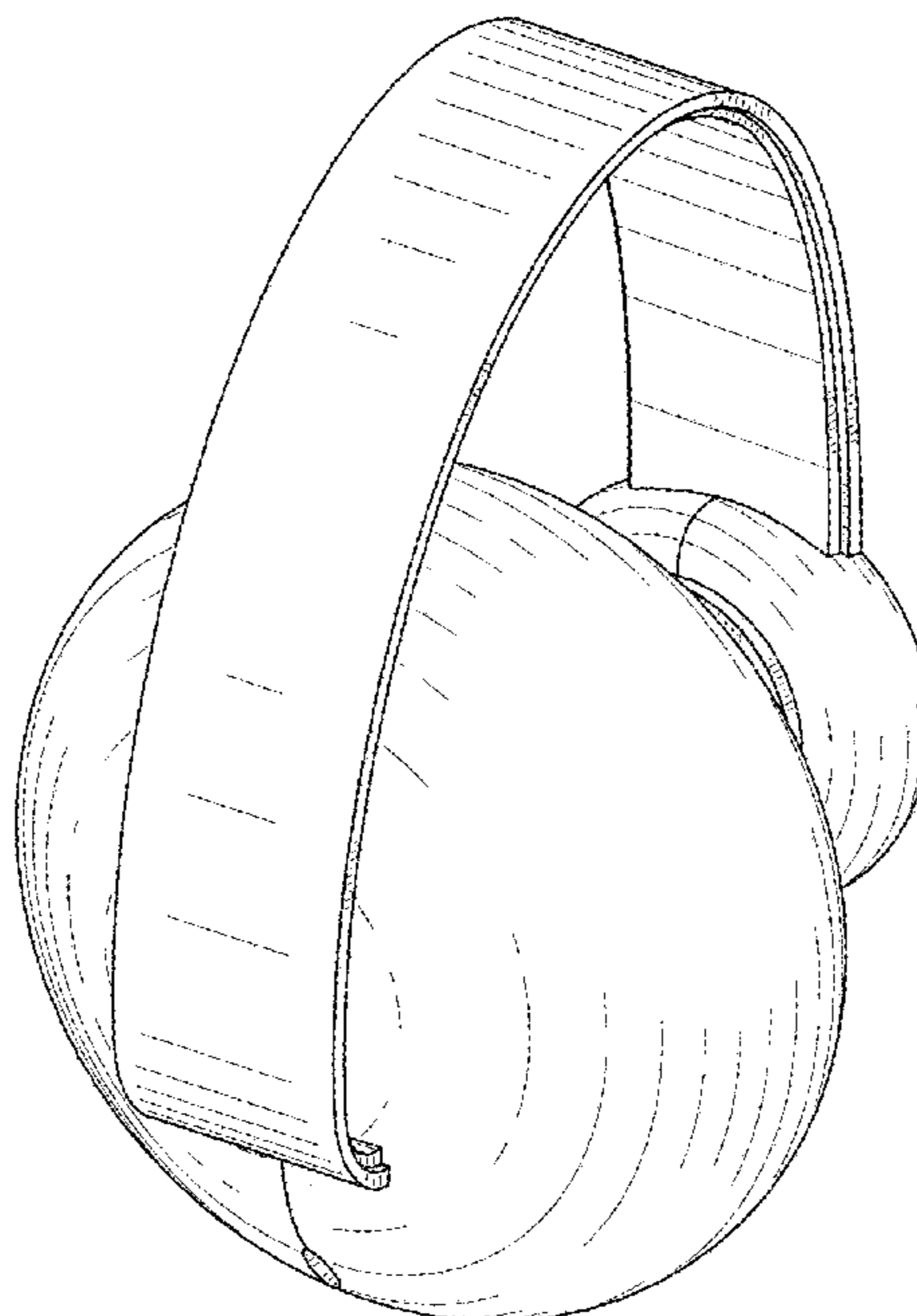
(57) **CLAIM**

The ornamental design for a clip accessory for personal communication device, as shown and described in the figures.

**DESCRIPTION**

FIG. 1 is an isometric view of the clip accessory for personal communication device;  
FIG. 2 is a front view of the clip accessory for personal communication device;  
FIG. 3 is right side view of the clip accessory for personal communication device;  
FIG. 4 is rear view of the clip accessory for personal communication device;  
FIG. 5 is left side view of the clip accessory for personal communication device;  
FIG. 6 is a top view of the clip accessory for personal communication device; and,  
FIG. 7 is a bottom view of the clip accessory for personal communication device.

**1 Claim, 4 Drawing Sheets**



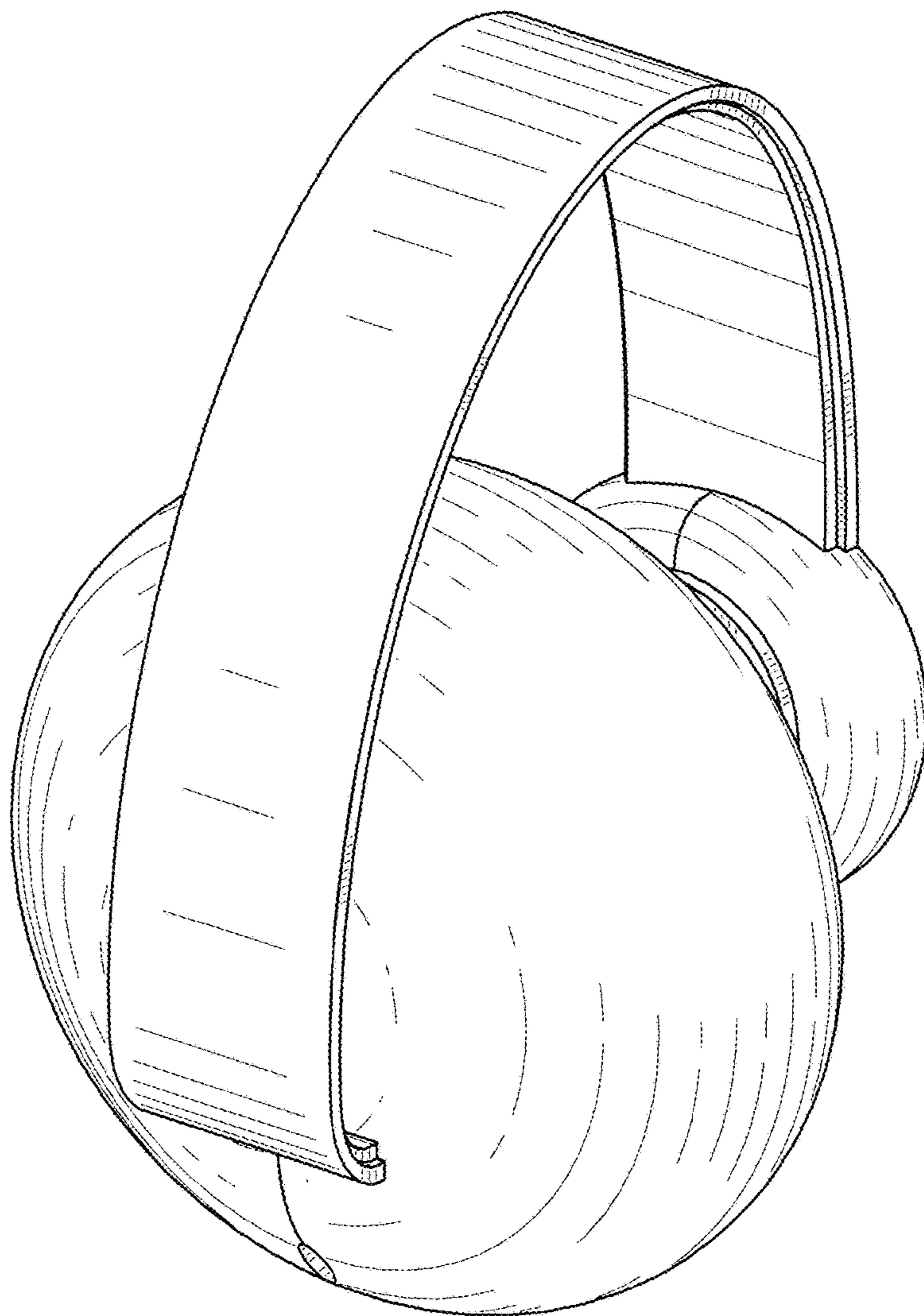


FIG. 1

FIG. 3

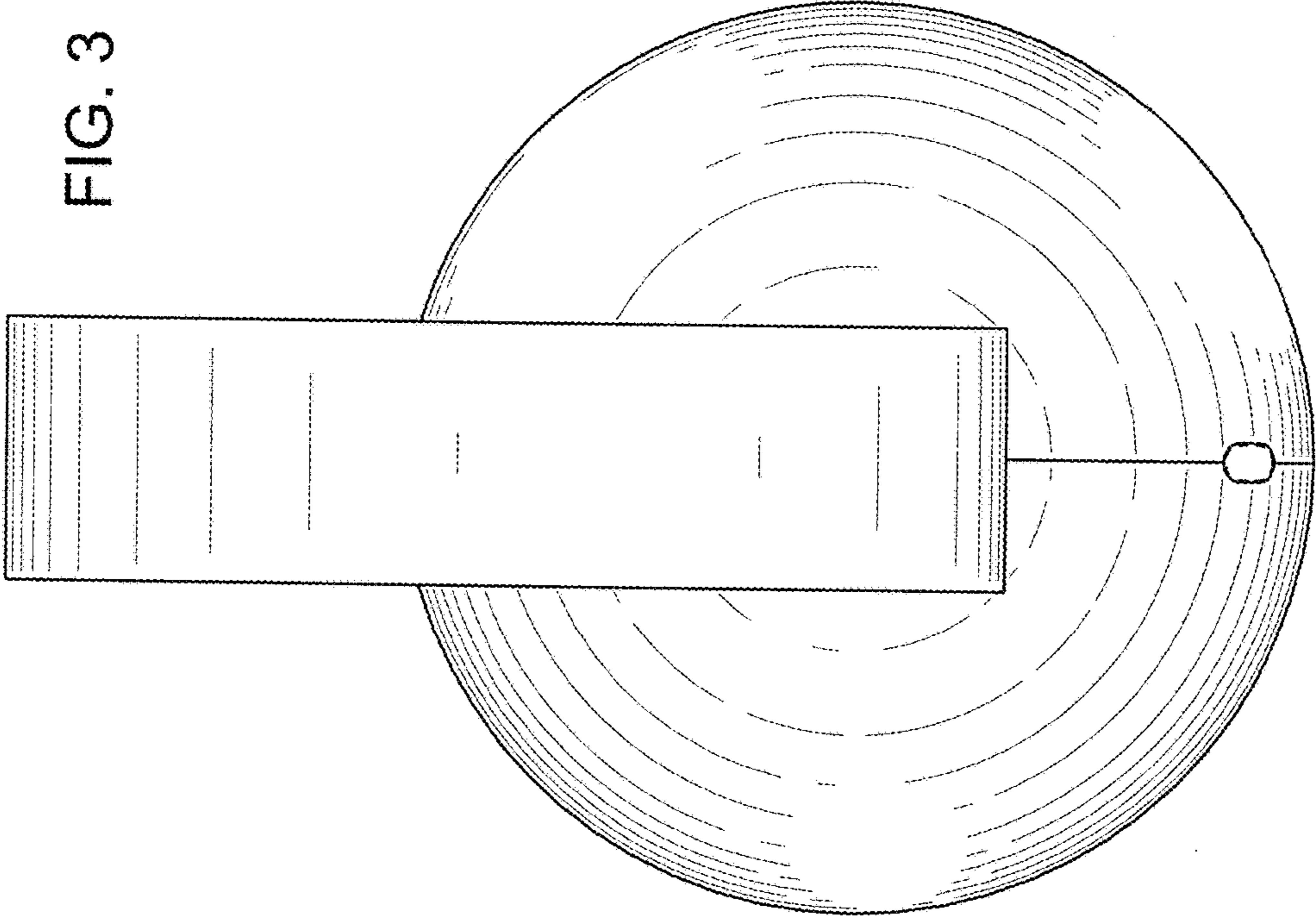
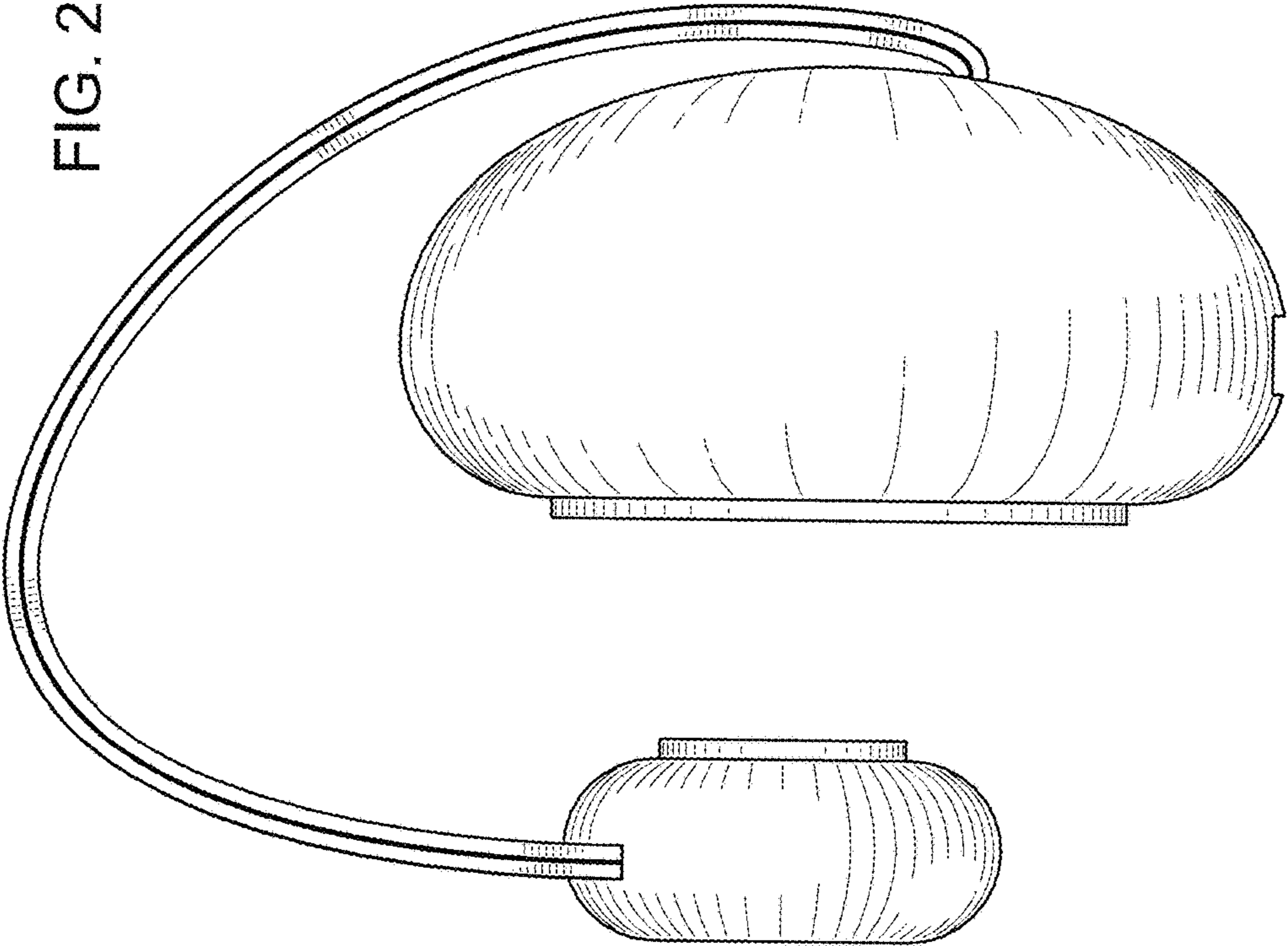


FIG. 2



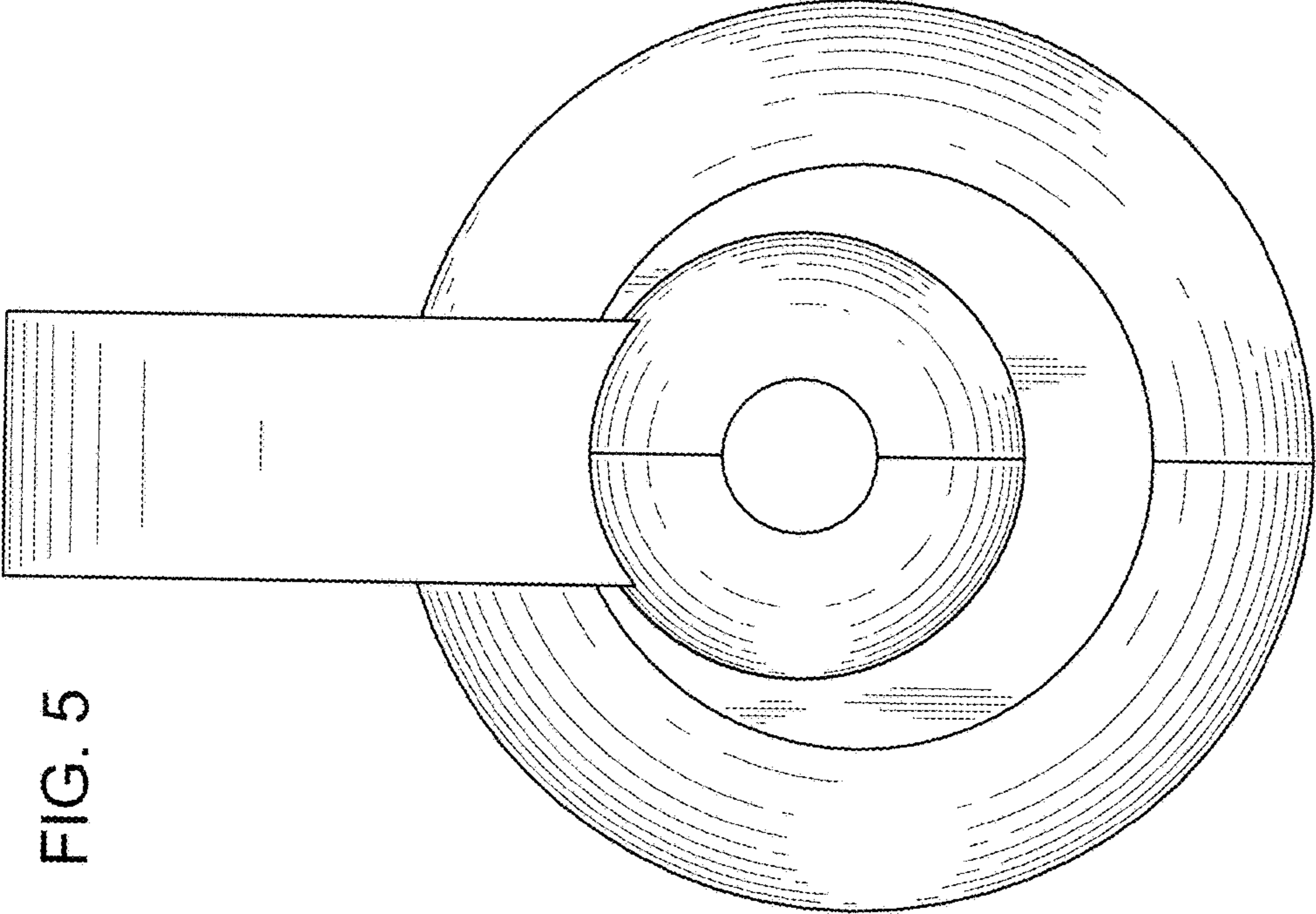


FIG. 5

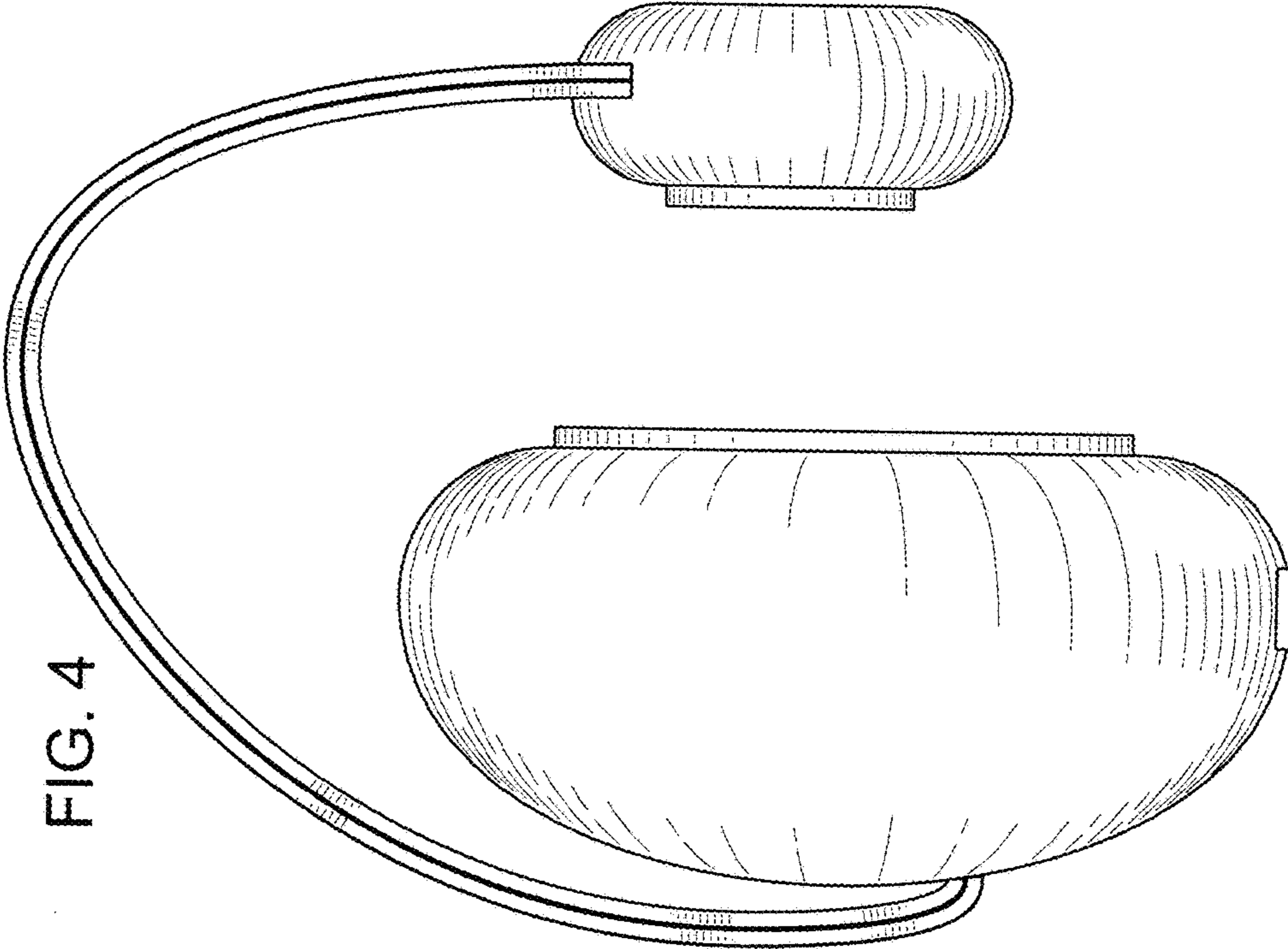


FIG. 4

FIG. 7

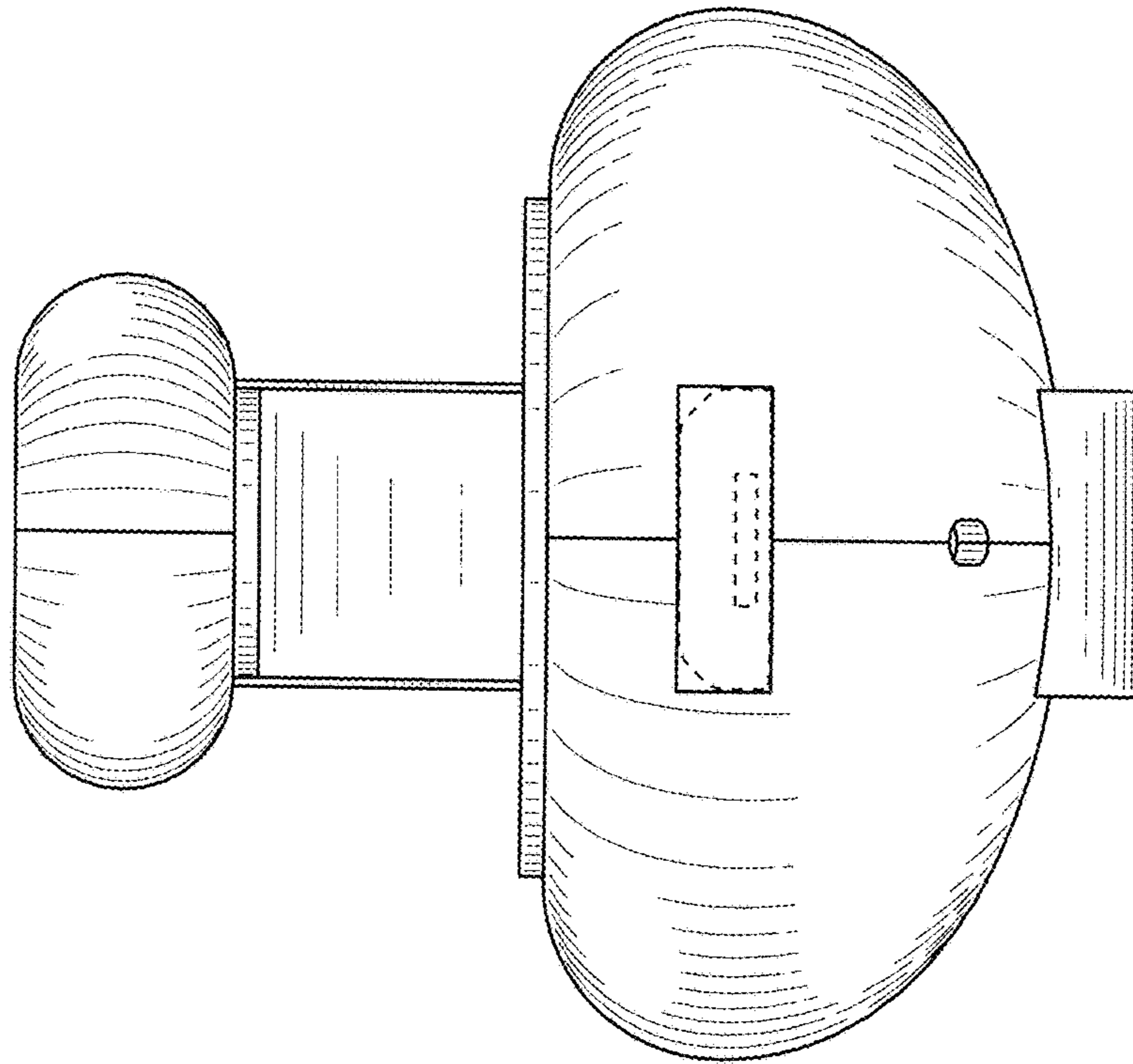


FIG. 6

