



US00D862418S

(12) **United States Design Patent**  
**Distefano**

(10) **Patent No.:** **US D862,418 S**

(45) **Date of Patent:** **\*\* Oct. 8, 2019**

(54) **LOUDSPEAKER**

(71) Applicant: **Harman International Industries, Incorporated**, Northridge, CA (US)

(72) Inventor: **Dario Distefano**, Shenzhen (CN)

(73) Assignee: **Harman International Industries, Incorporated**, Northridge, CA (US)

(\*\*) Term: **15 Years**

(21) Appl. No.: **29/628,746**

(22) Filed: **Dec. 7, 2017**

(51) **LOC (12) Cl.** ..... **14-01**

(52) **U.S. Cl.**

USPC ..... **D14/216**

(58) **Field of Classification Search**

USPC ..... D14/167, 168, 170–172, 188, 194–198, D14/204, 207, 209.1, 210–216, 219, 221, D14/222, 224, 496, 313; 181/143, 144, 181/147, 148, 150, 153, 157, 198, 199; 369/6–12; 381/300–303, 306, 332–334, 381/336, 345, 361–364, 386–388

CPC ..... B60R 11/0217; G06F 1/1688; G10K 9/22; G10K 11/004; H03F 1/327; H04M 1/03; H04M 1/035; H04N 5/642; H04N 21/4852; H04S 3/00; H04S 7/30; H04R 1/02; H04R 1/06; H04R 1/021; H04R 1/025; H04R 1/026; H04R 1/028; H04R 1/105; H04R 1/323; H04R 1/403; H04R 1/2803; H04R 1/2834; H04R 5/02; H04R 7/20; H04R 9/06; H04R 9/025; H04R 2201/021; H04R 2400/00; H04R 2400/07; H04R 2499/11; H04R 2499/13; H04R 2499/15

See application file for complete search history.

(56) **References Cited**

U.S. PATENT DOCUMENTS

2,890,297 A \* 6/1959 Lehr ..... H04R 1/08  
181/148

D317,768 S \* 6/1991 Davidson ..... D14/216  
(Continued)

OTHER PUBLICATIONS

JBL Clip 3 Portable Waterproof Wireless Bluetooth Speaker—Black, Amazon.com, Date first listed on Amazon: May 4, 2018, [online ], [site visited May 9, 2019]. URL: [https://www.amazon.com/JBL-Portable-Waterproof-Wireless-Bluetooth/dp/B07CVQDQMG/ref=pd\\_lpo\\_vtph\\_47\\_bs\\_t\\_1?](https://www.amazon.com/JBL-Portable-Waterproof-Wireless-Bluetooth/dp/B07CVQDQMG/ref=pd_lpo_vtph_47_bs_t_1?) (Year: 2018).\*

(Continued)

*Primary Examiner* — T Chase Nelson

*Assistant Examiner* — Jonathan J. Han

(74) *Attorney, Agent, or Firm* — Plumsea Law Group, LLC

(57) **CLAIM**

The ornamental design for a loudspeaker, as shown and described.

**DESCRIPTION**

FIG. 1 is a front perspective view of a loudspeaker showing the new design;

FIG. 2 is a rear perspective view thereof;

FIG. 3 is a front elevational view thereof;

FIG. 4 is a rear elevational view thereof;

FIG. 5 is a side elevational view thereof;

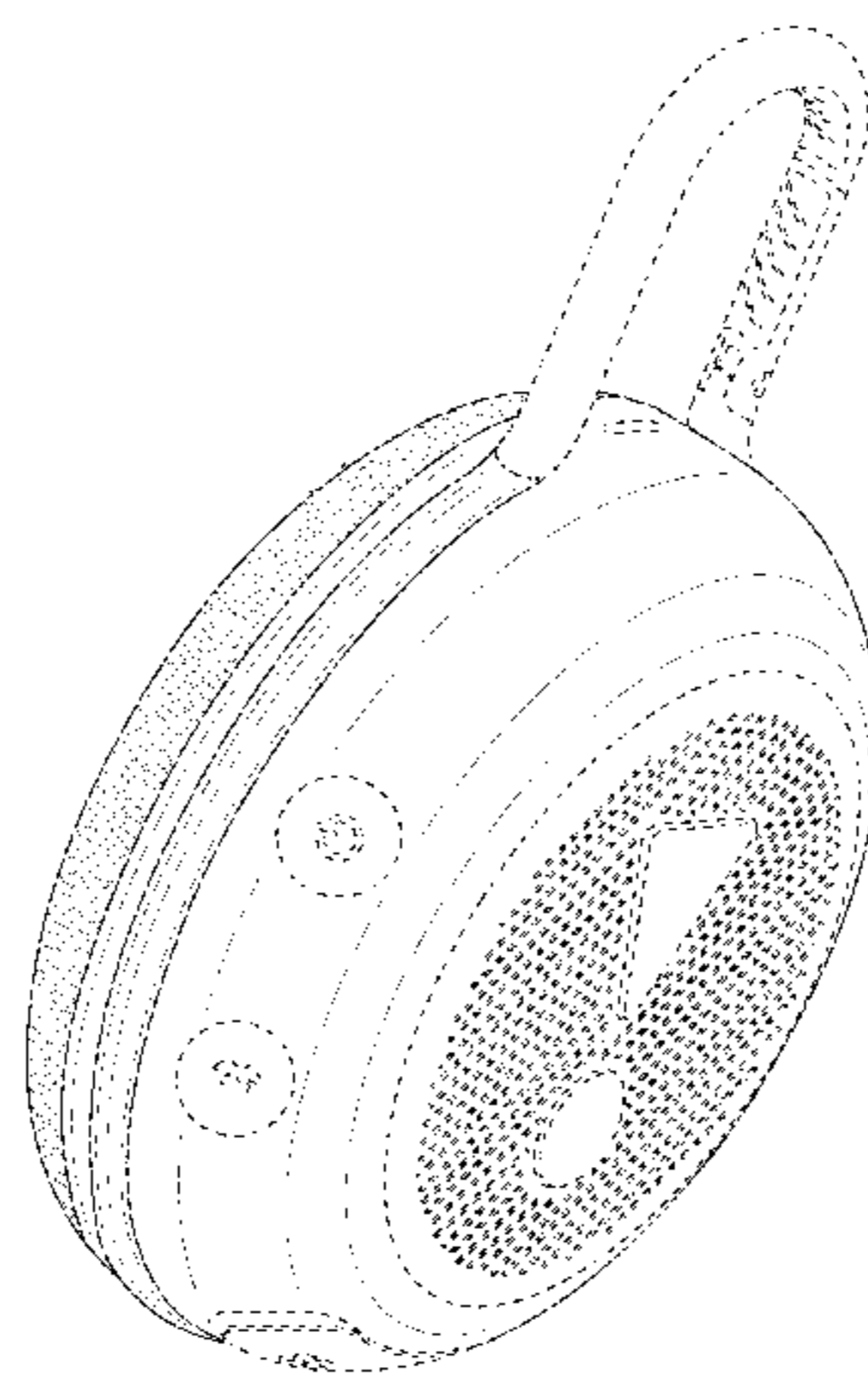
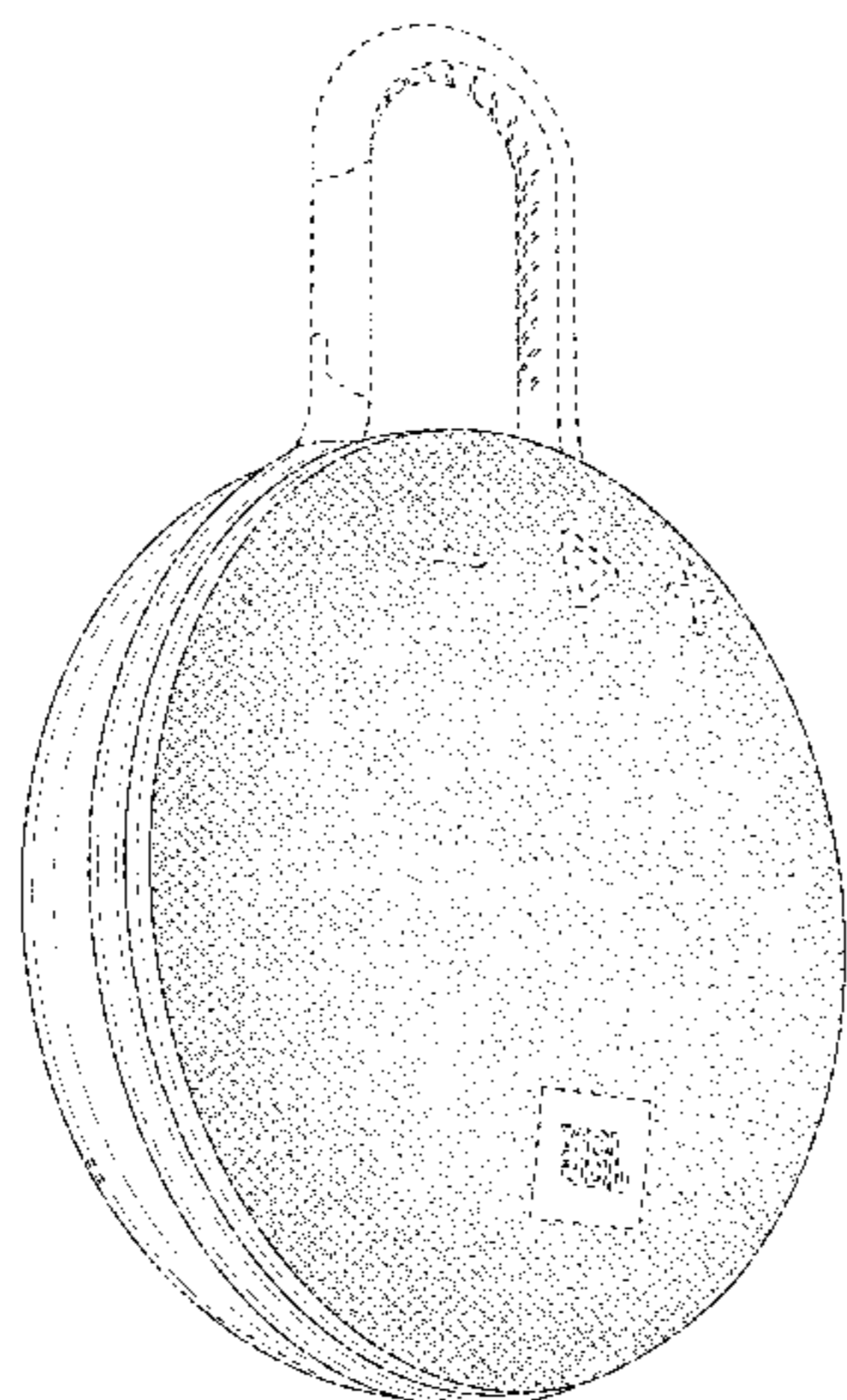
FIG. 6 is an opposite side elevational view thereof;

FIG. 7 is a top view thereof; and,

FIG. 8 is a bottom view thereof.

The evenly spaced broken lines are directed to environment and are for illustrative purposes only. The dot-dash broken

(Continued)



ones represent bounds of the claimed design. All of the broken lines and unshaded areas form no part of the claimed design. The shading on the loudspeaker is provided merely to represent contours of the design and does not connote the character of the surfaces such as any specific texture, material, gloss, translucence, transparency, surface treatment, or surface decoration.

**1 Claim, 8 Drawing Sheets**

D770,417 S	*	11/2016	Chen	.....	D14/216
D778,871 S	*	2/2017	Corval	.....	D14/204
D797,704 S		9/2017	Fischer et al.		
D813,192 S	*	3/2018	Zeng	.....	D14/204
D814,442 S	*	4/2018	Ye	.....	D14/216
D816,052 S	*	4/2018	Pallakoff	.....	D14/137
D816,994 S	*	5/2018	Fischer	.....	D3/294
D819,600 S	*	6/2018	Jeon	.....	D14/216
D828,333 S	*	9/2018	Hu	.....	D14/216
D832,264 S	*	10/2018	Kim	.....	D14/434
D832,821 S	*	11/2018	Jeon	.....	D14/215
D834,567 S	*	11/2018	Snyder	.....	D14/228

(56)

**References Cited**

U.S. PATENT DOCUMENTS

D494,633 S	*	8/2004	Nussberger	.....	D21/324
D521,982 S	*	5/2006	Schafernak	.....	D14/216
D521,983 S	*	5/2006	Kuo	.....	D14/216
D560,209 S	*	1/2008	Kim	.....	D14/215
D577,357 S	*	9/2008	Poandl	.....	D14/216
D591,269 S	*	4/2009	Kim	.....	D14/216
D596,159 S	*	7/2009	Yamaji	.....	D14/209.1
D606,517 S	*	12/2009	Nousiainen	.....	D14/216
D636,760 S	*	4/2011	Cheng	.....	D14/216
D645,818 S	*	9/2011	Guccione	.....	D13/108
D717,770 S	*	11/2014	Yamamoto	.....	D14/216
D726,158 S	*	4/2015	Zhao	.....	D14/216
D730,872 S	*	6/2015	Wan	.....	D14/216
D732,006 S	*	6/2015	Zhao	.....	D14/216
D737,249 S	*	8/2015	Zhao	.....	D14/216
D740,258 S	*	10/2015	Yu	.....	D14/216
D756,955 S	*	5/2016	Wagner	.....	D14/203.6
D768,113 S	*	10/2016	Lee	.....	D14/216
D768,114 S	*	10/2016	Hou	.....	D13/168

OTHER PUBLICATIONS

JBL Clip 2 Waterproof Portable Bluetooth Speaker (Black), Amazon.com, Date first listed on Amazon: May 2, 2016, [online], [site visited May 9, 2019]. URL: [https://www.amazon.com/dp/B01F24RELQ/ref=psdc\\_689637011\\_t1\\_B07CVQDQMG](https://www.amazon.com/dp/B01F24RELQ/ref=psdc_689637011_t1_B07CVQDQMG) (Year: 2016).\*

JBL Clip 2 Bluetooth Speaker—Review, YouTube.com, JimsReviewRoom, Published on Jun. 16, 2016, [online], [site visited May 9, 2019]. URL: [https://www.youtube.com/watch?v=BMi9\\_ZuUbiE](https://www.youtube.com/watch?v=BMi9_ZuUbiE) (Year: 2016).\*

JBL Clip 2 Review, SoundGuys.com, by Adam Molina, Sep. 20, 2016, Release Date: Jan. 5, 2016, [online], [site visited May 9, 2019]. URL: <https://www.soundguys.com/jbl-clip-2-review-10014/> (Year: 2016).\*

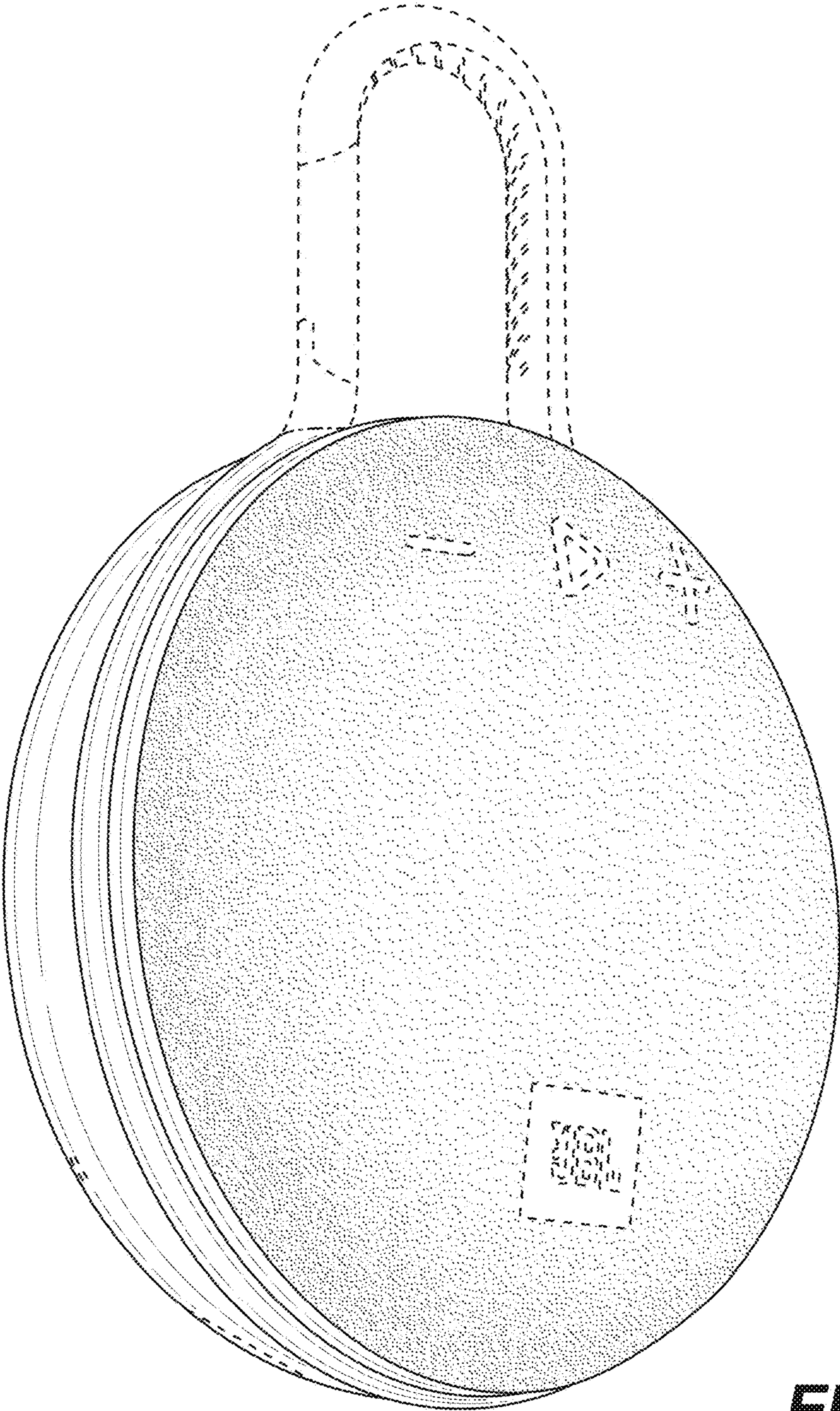
JBL Clip Quick Start Guide, JBL by Harman, 2014.

JBL Clip Specification Sheet, JBL by Harman, 2014.

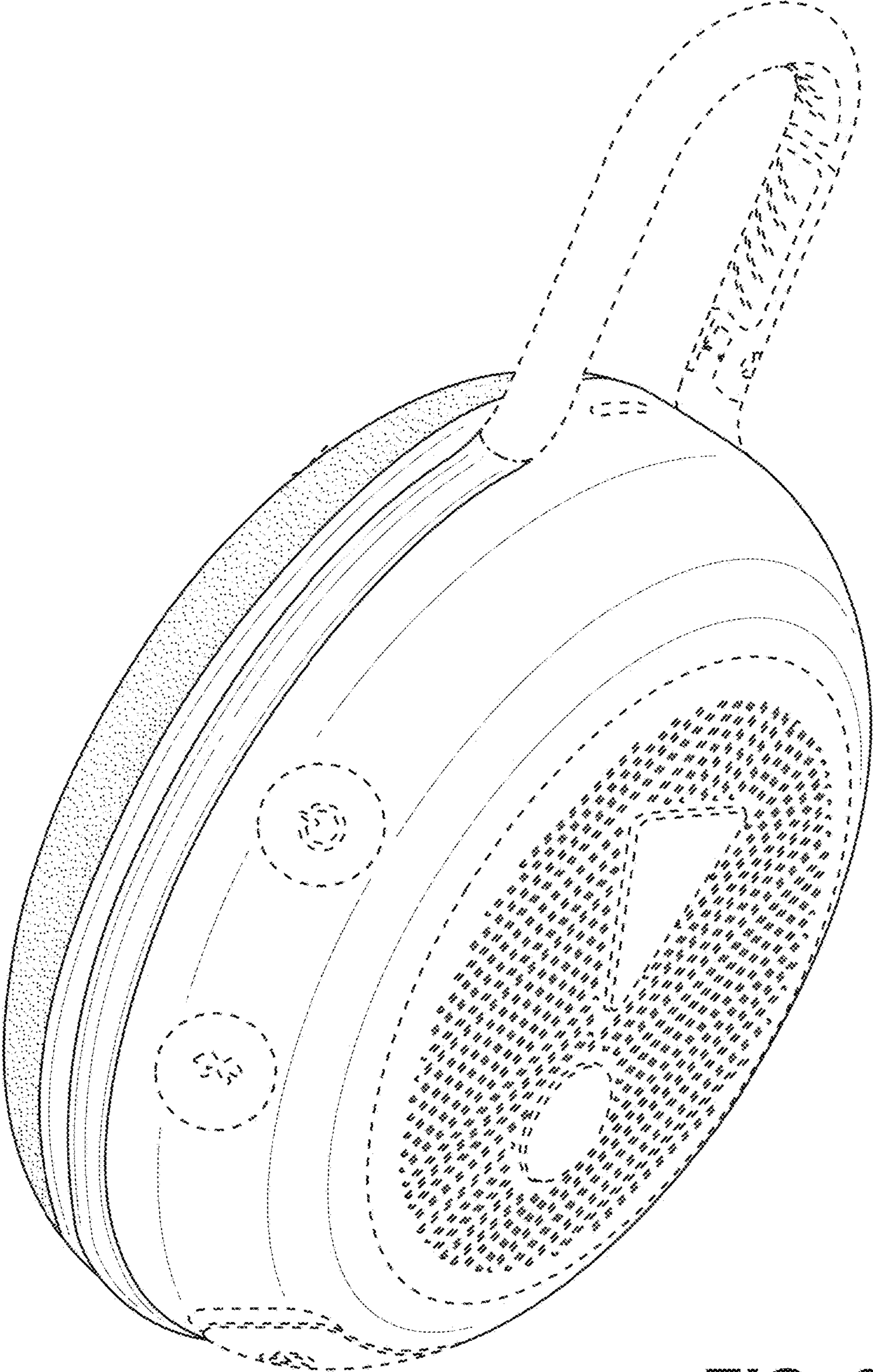
JBL Clip+ Quick Start Guide, JBL by Harman, 2015.

JBL Clip+ Specification Sheet, JBL by Harman, 2015.

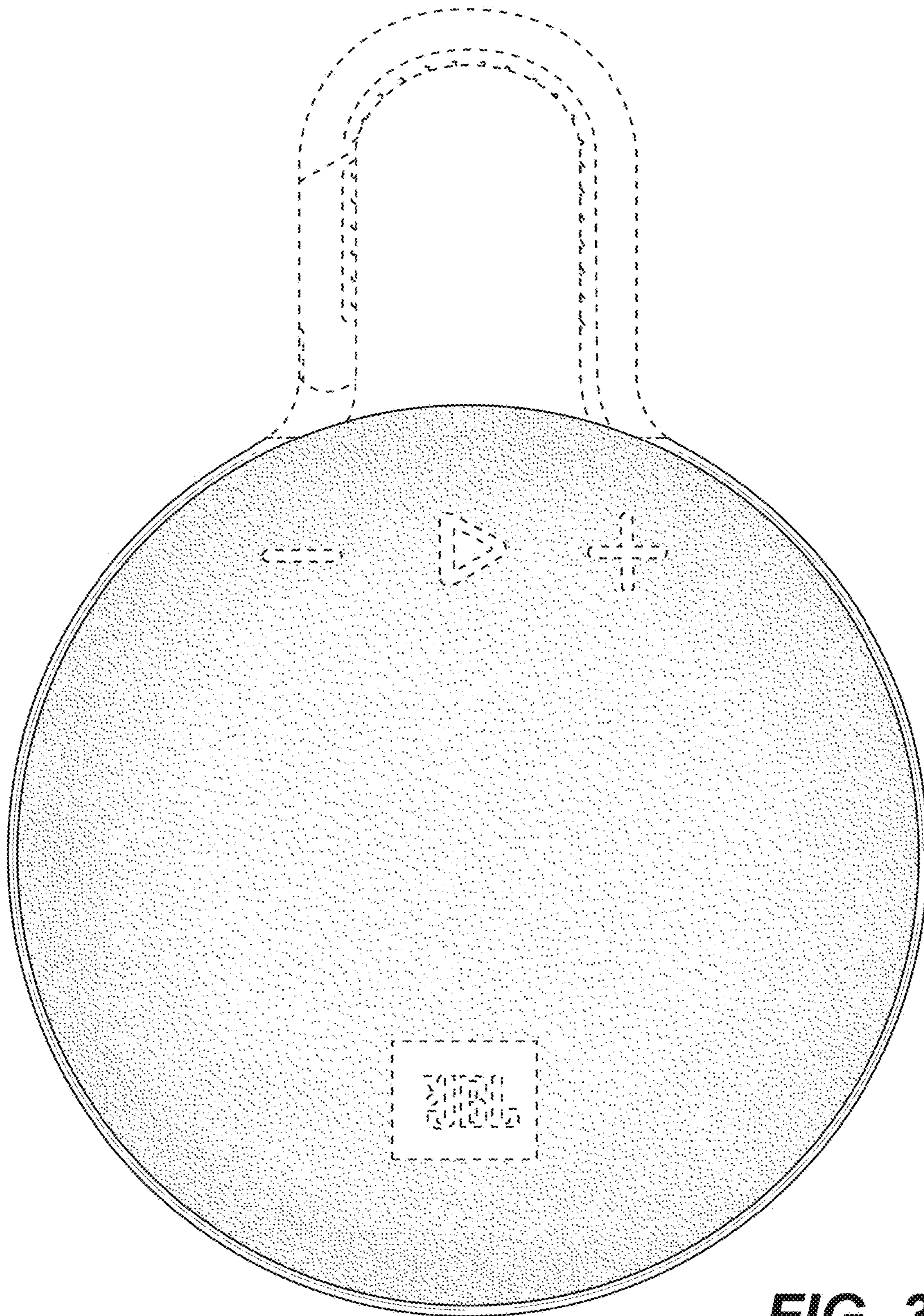
\* cited by examiner



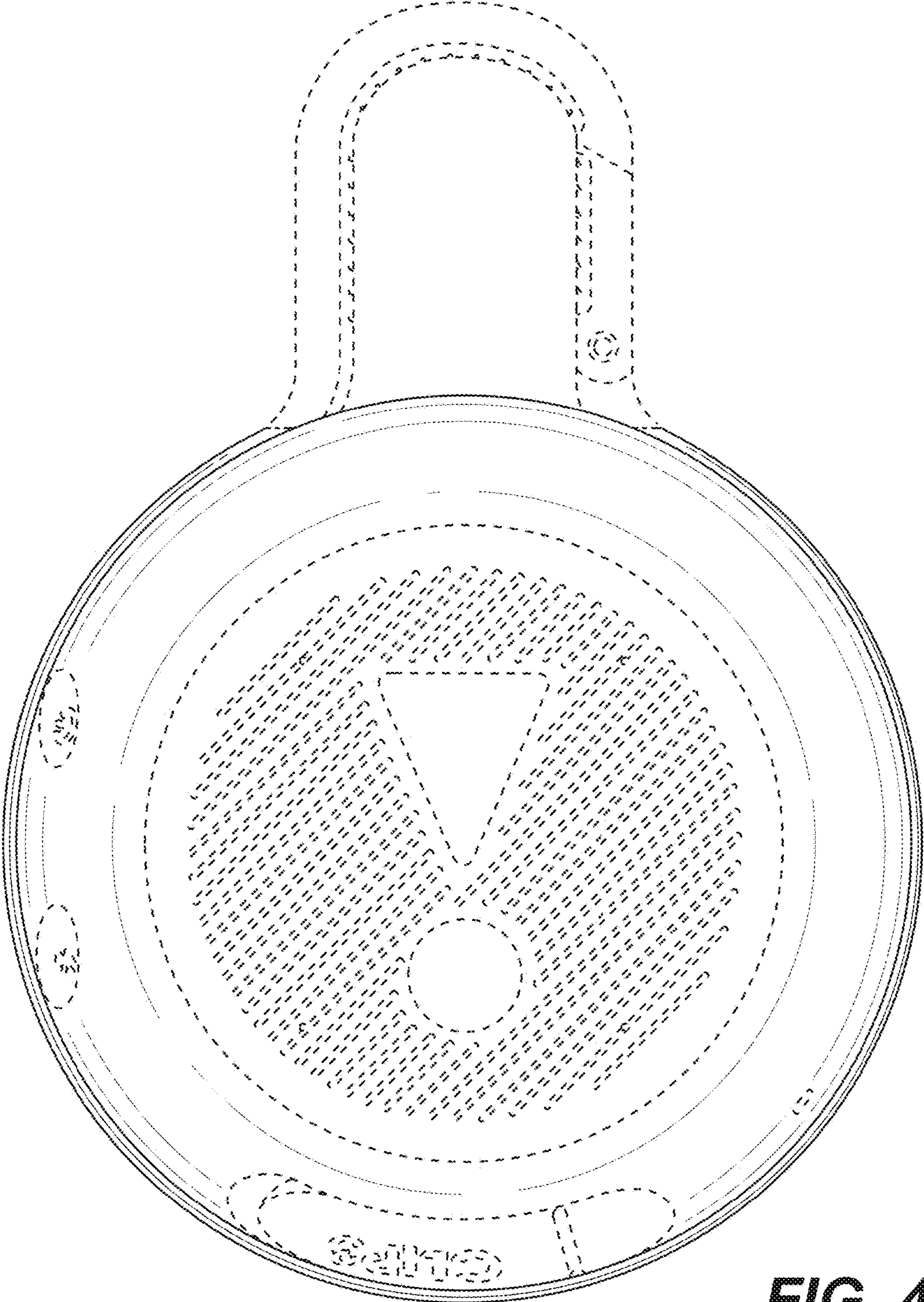
**FIG. 1**



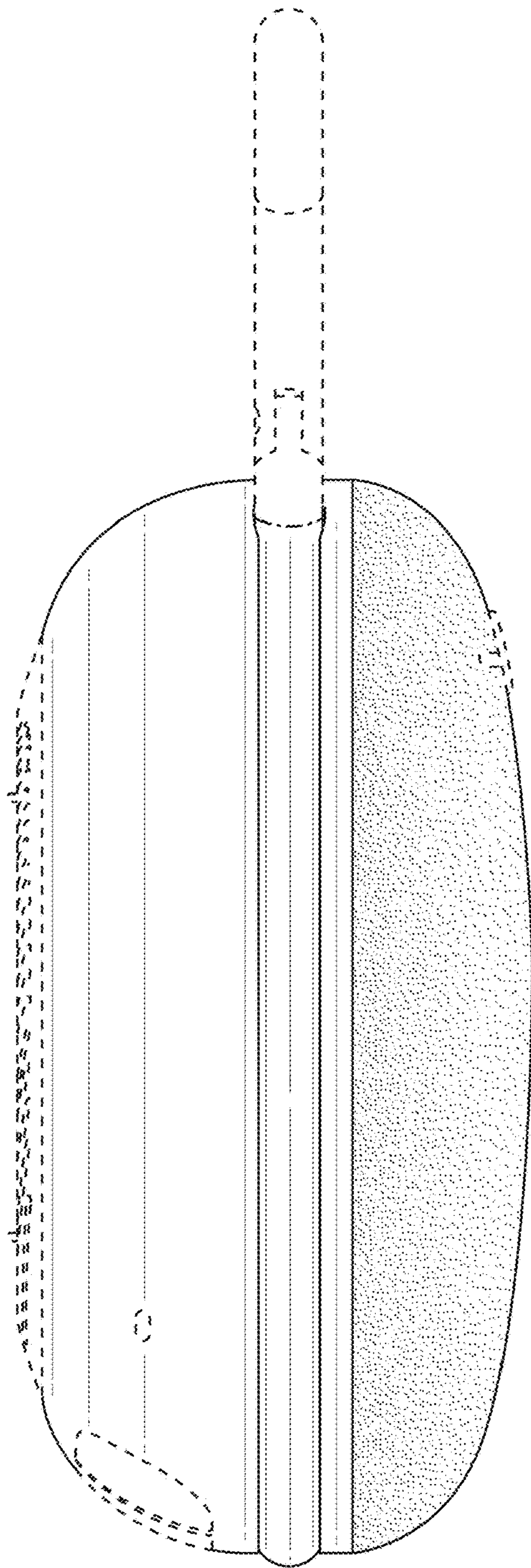
**FIG. 2**



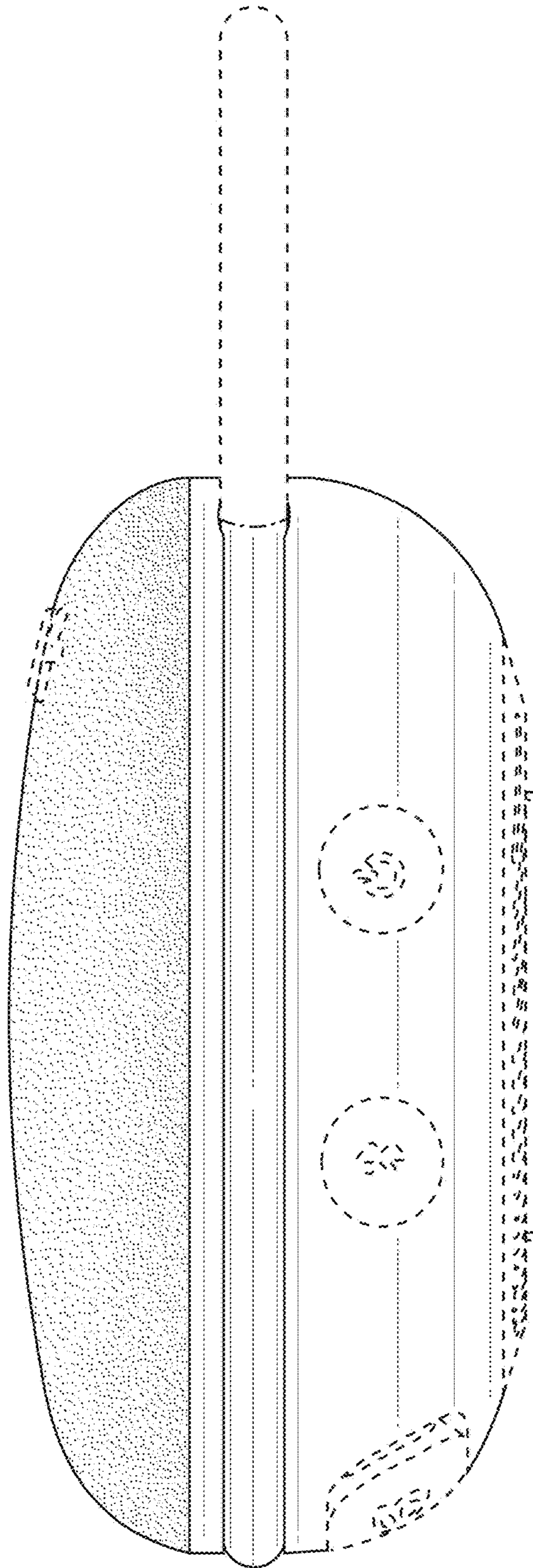
**FIG. 3**



**FIG. 4**

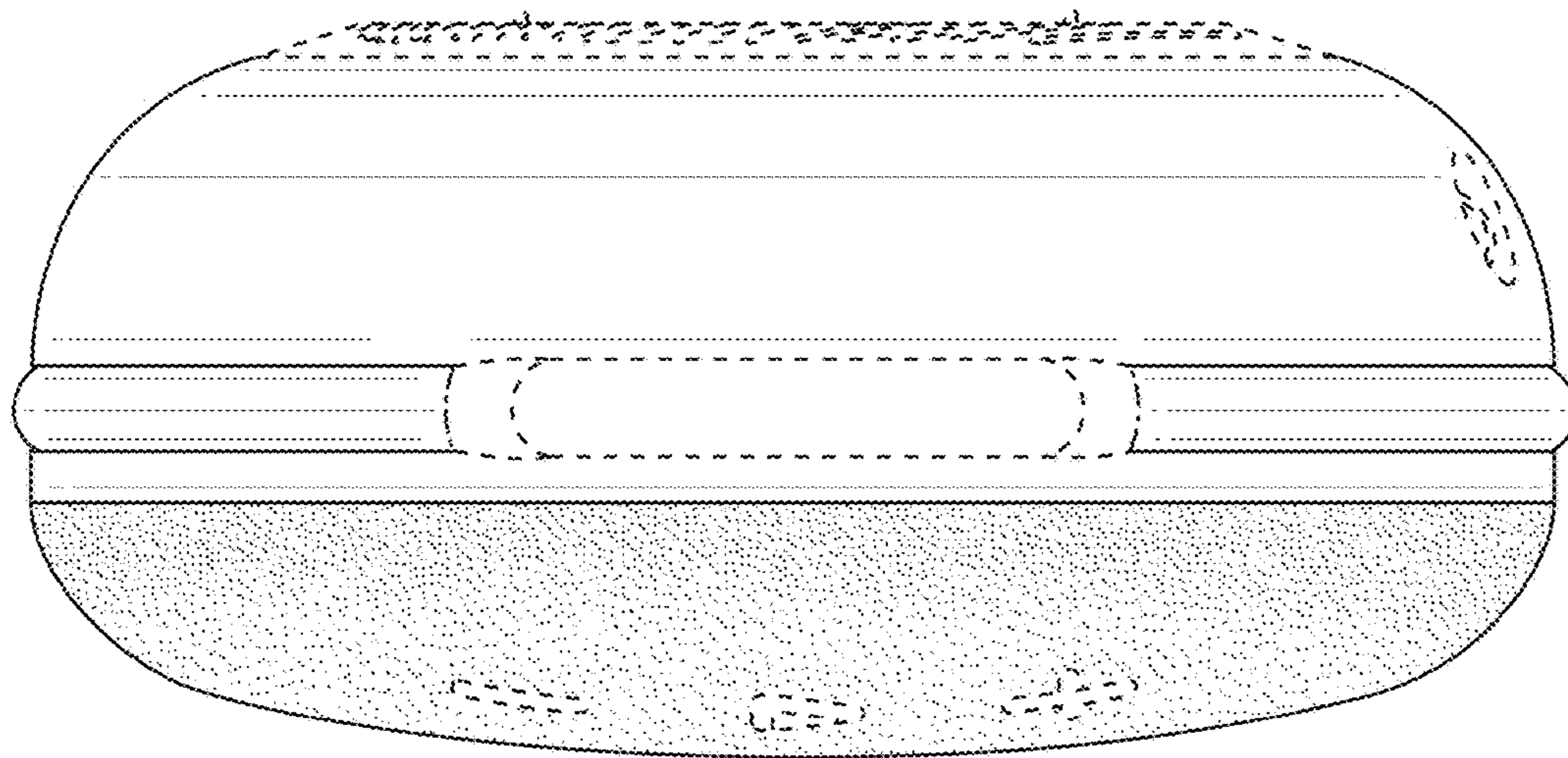


**FIG. 5**

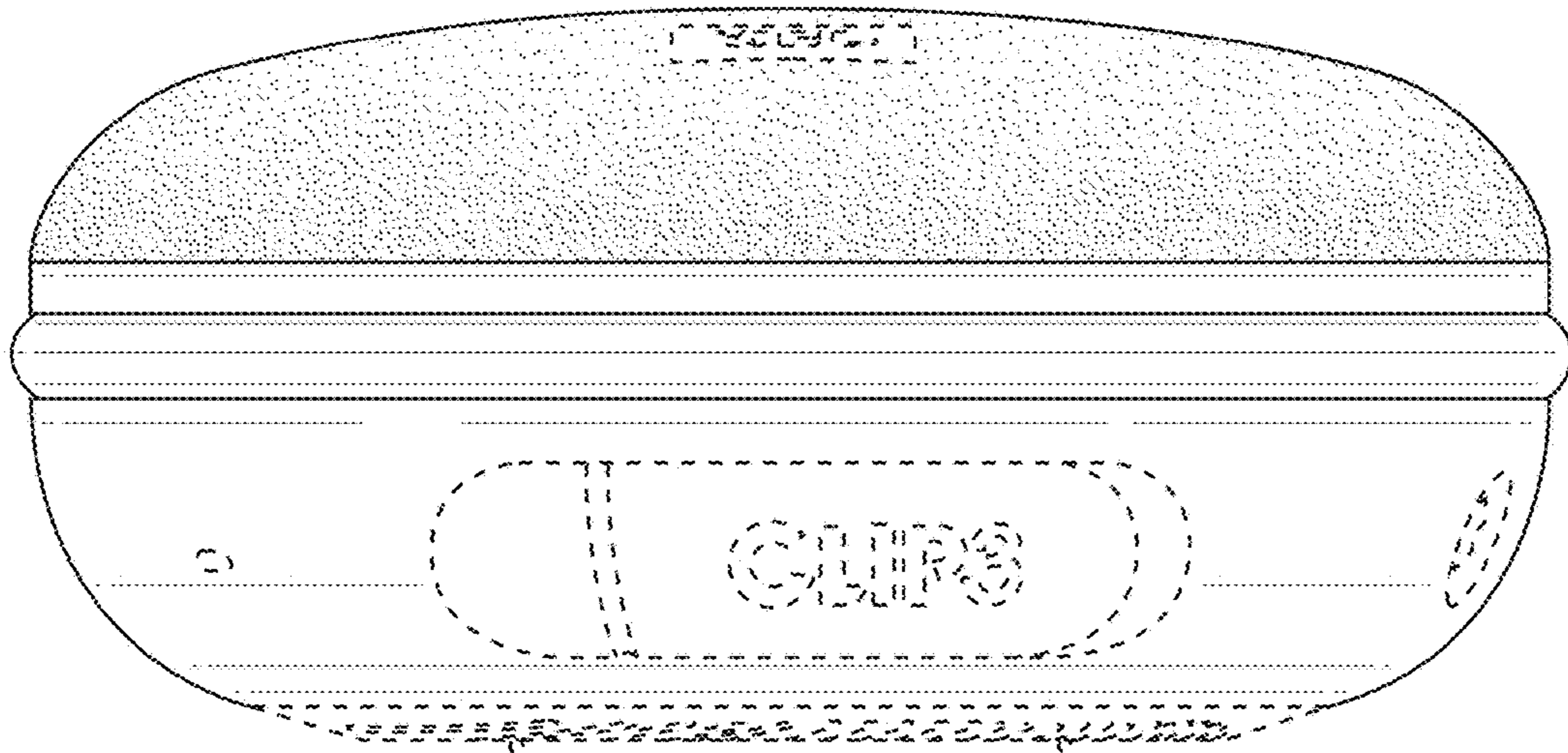


**FIG. 6**





**FIG. 7**



**FIG. 8**