

US00D862416S

(12) **United States Design Patent** (10) **Patent No.:** **US D862,416 S**
Czaniecki et al. (45) **Date of Patent:** **** Oct. 8, 2019**

(54) **LOUDSPEAKER**

(71) Applicant: **Harman International Industries, Incorporated**, Northridge, CA (US)

(72) Inventors: **Rafal Czaniecki**, Shenzhen (CN); **Damian Mackiewicz**, Shenzhen (CN); **Joey Verbeke**, Northridge, CA (US); **Davide Di Censo**, Oakland, CA (US); **Dan Pye**, Northridge, CA (US); **Stefan Marti**, Oakland, CA (US); **Alexander Demin**, Shenzhen (CN)

(73) Assignee: **Harman International Industries, Incorporated**, Northridge, CA (US)

(**) Term: **15 Years**

(21) Appl. No.: **29/565,380**

(22) Filed: **May 19, 2016**

Related U.S. Application Data

(63) Continuation-in-part of application No. 29/516,628, filed on Feb. 4, 2015, now Pat. No. Des. 766,215, which is a continuation of application No. 29/496,384, filed on Jul. 11, 2014, now abandoned.

(51) **LOC (12) Cl.** **14-01**

(52) **U.S. Cl.**
USPC **D14/216; D14/215**

(58) **Field of Classification Search**
USPC D14/167, 168, 170-172, 188, 194-196, D14/204, 207, 209.1, 210-216, 219, 221, D14/222, 224, 239, 496
CPC B60R 11/0217; G06F 1/1688; G10K 9/22; G10K 11/004; H03F 1/327; H04M 1/03; H04M 1/035; H04N 5/642; H04N 21/4852; H04R 1/02; H04R 1/06; H04R 1/021; H04R 1/025; H04R 1/026; H04R 1/028; H04R 1/105; H04R 1/323; H04R 1/403; H04R 1/2803; H04R 1/2834; H04R 5/02; H04R 7/20; H04R 9/06;

H04R 9/025; H04R 2201/021; H04R 2400/00; H04R 2400/07; H04R 2499/11; H04R 2499/13; H04R 2499/15; H04S 3/00; H04S 7/30

See application file for complete search history.

(56) **References Cited**

U.S. PATENT DOCUMENTS

D371,559	S	*	7/1996	Rozier	D14/224
D514,548	S	*	2/2006	Chan	D14/216
D642,159	S	*	7/2011	Joseph	D14/215
D659,680	S	*	5/2012	Kim	D14/216
D674,775	S	*	1/2013	Bolton	D14/204
D681,010	S	*	4/2013	Cho	D14/215
D697,898	S	*	1/2014	Park	D14/209.1
D718,275	S	*	11/2014	Shim	D14/214
D734,741	S	*	7/2015	Brunner	D14/216
D765,617	S	*	9/2016	Mackiewicz	D14/216
D766,215	S	*	9/2016	Mackiewicz	D14/216
D800,687	S	*	10/2017	Kim	D14/204

(Continued)

Primary Examiner — Keli L Hill

(74) *Attorney, Agent, or Firm* — Plumsea Law Group, LLC

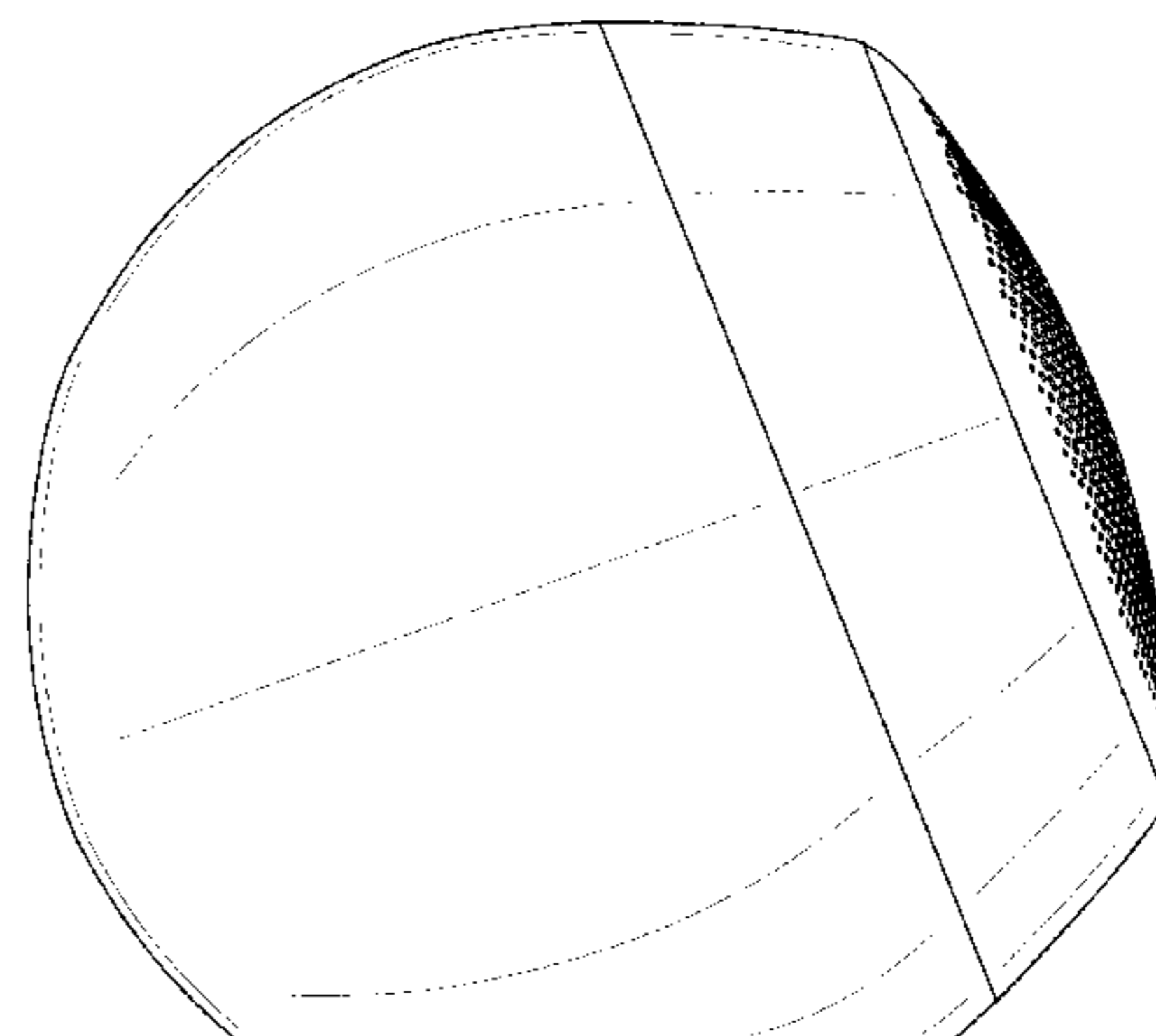
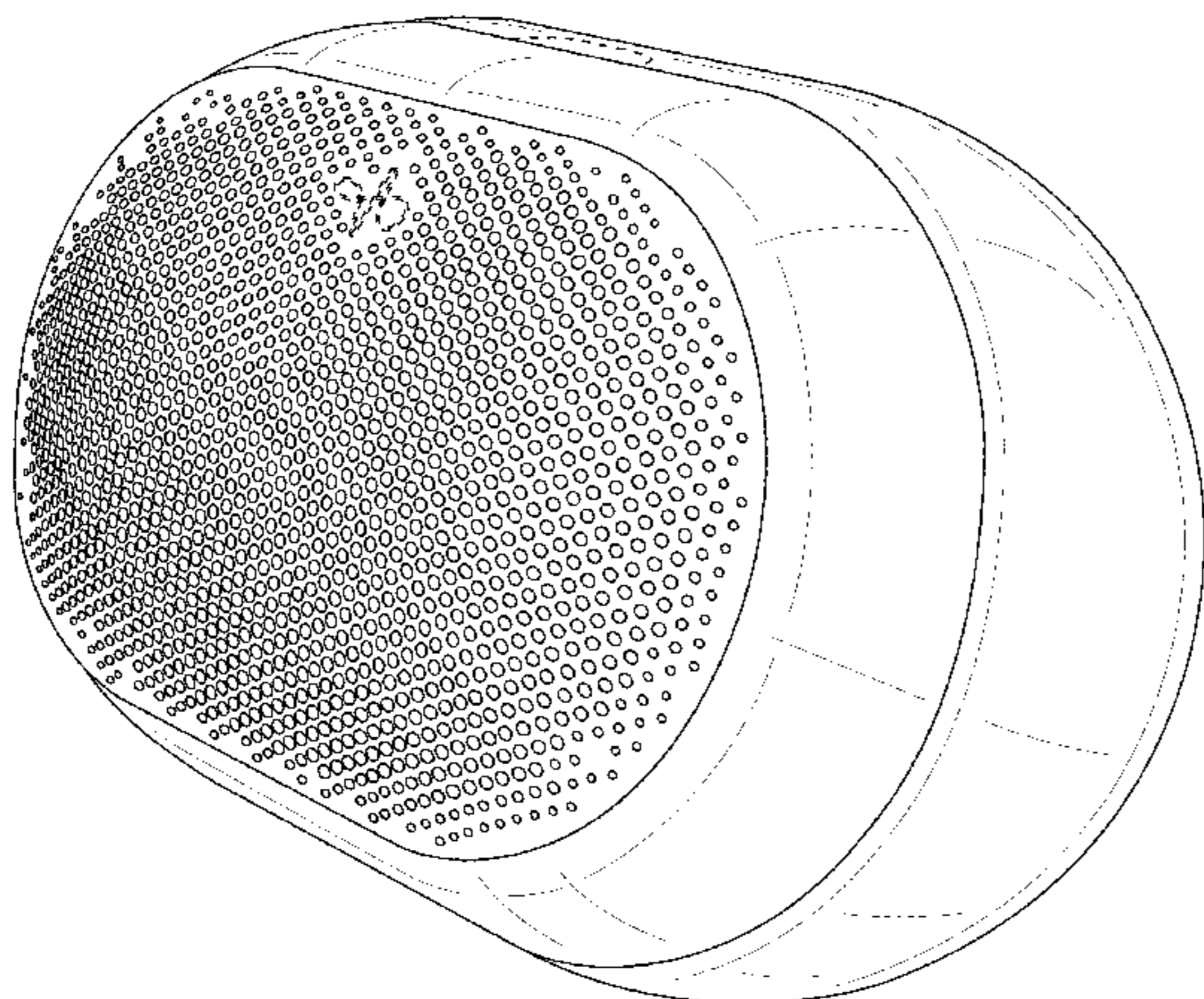
(57) **CLAIM**

The ornamental design for a loudspeaker, as shown and described.

DESCRIPTION

FIG. 1 is a front perspective view of a loudspeaker showing our new design;
FIG. 2 is a front view thereof;
FIG. 3 is a rear view thereof;
FIG. 4 is a side elevational view of one side thereof;
FIG. 5 is a side elevational view of the opposite side thereof; and,
FIG. 6 is a top view thereof.
The broken lines and unshaded areas form no part of the claimed design.

1 Claim, 6 Drawing Sheets



(56)

References Cited

U.S. PATENT DOCUMENTS

D801,307 S * 10/2017 Kim D14/216
D818,987 S * 5/2018 Sun D14/204
D842,841 S * 3/2019 Demin D14/216

* cited by examiner

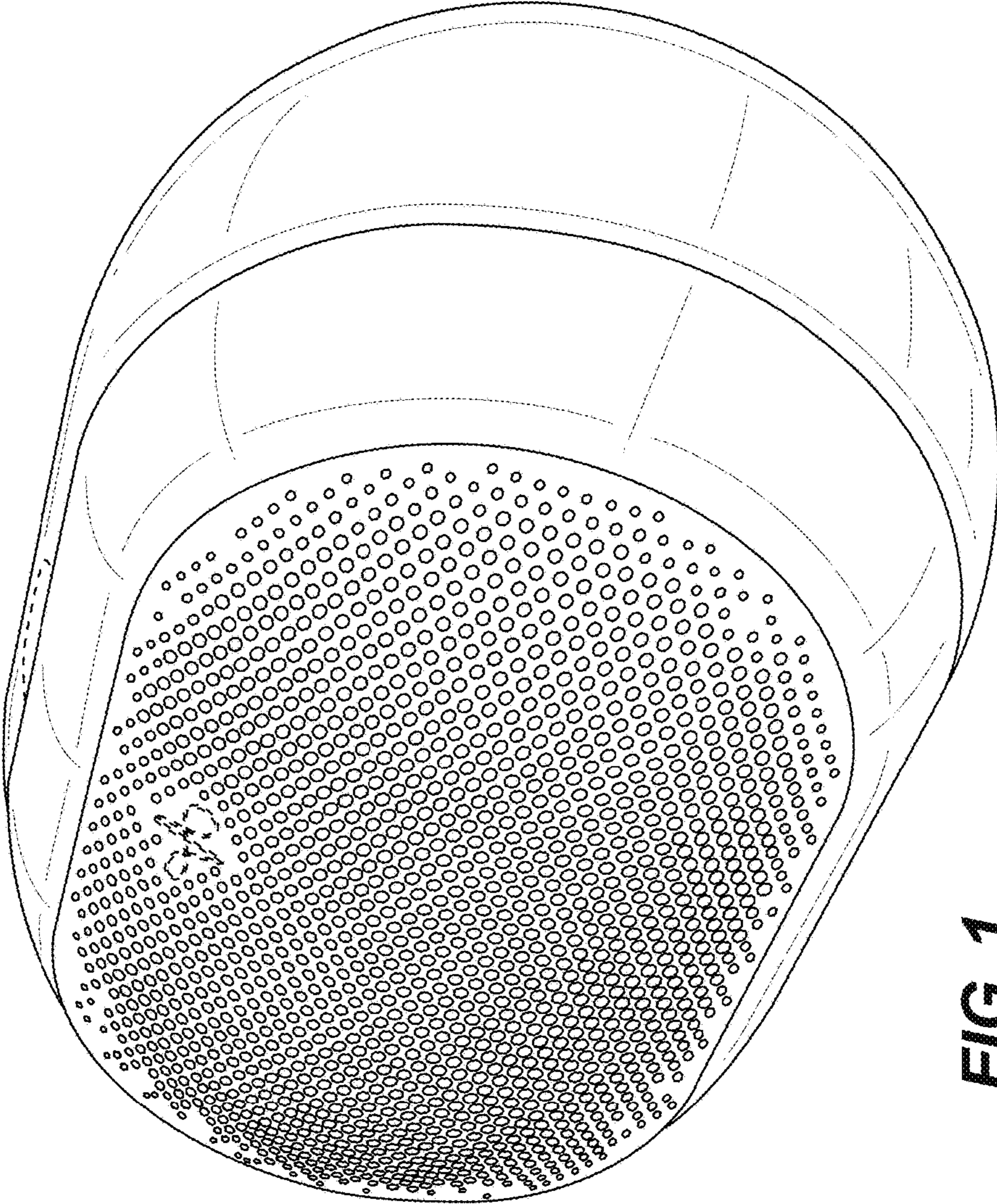


FIG. 1

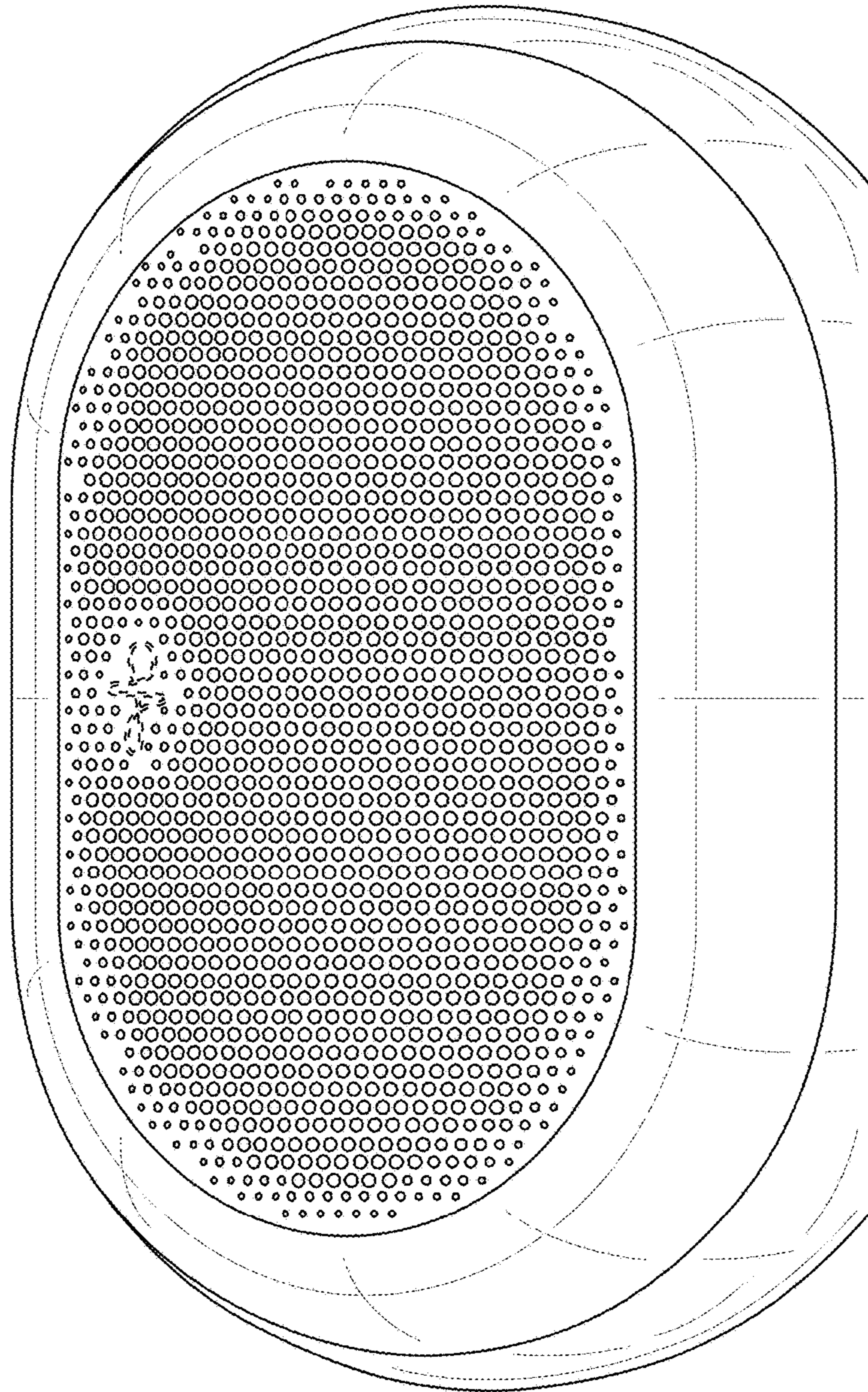


FIG. 2

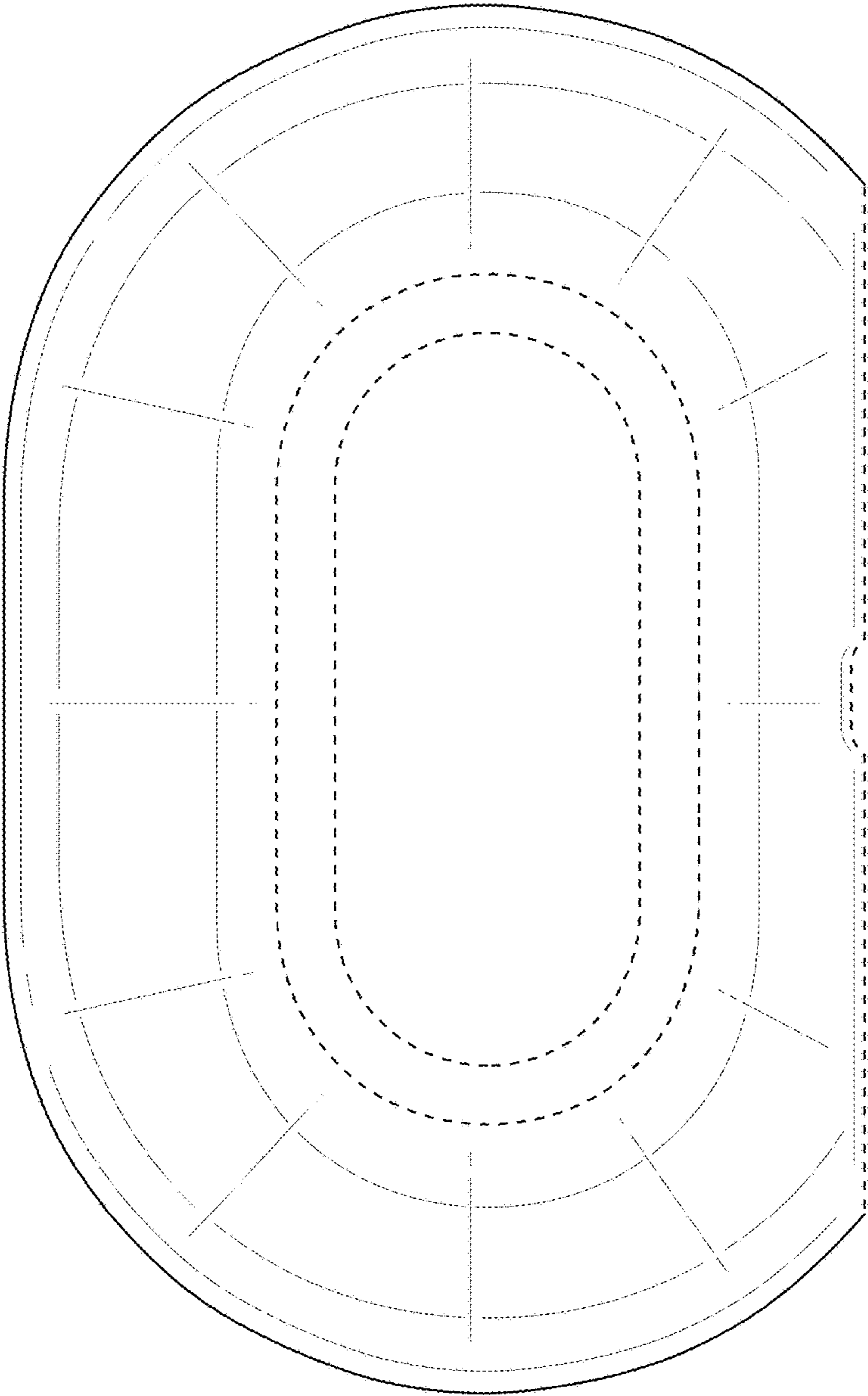


FIG. 3

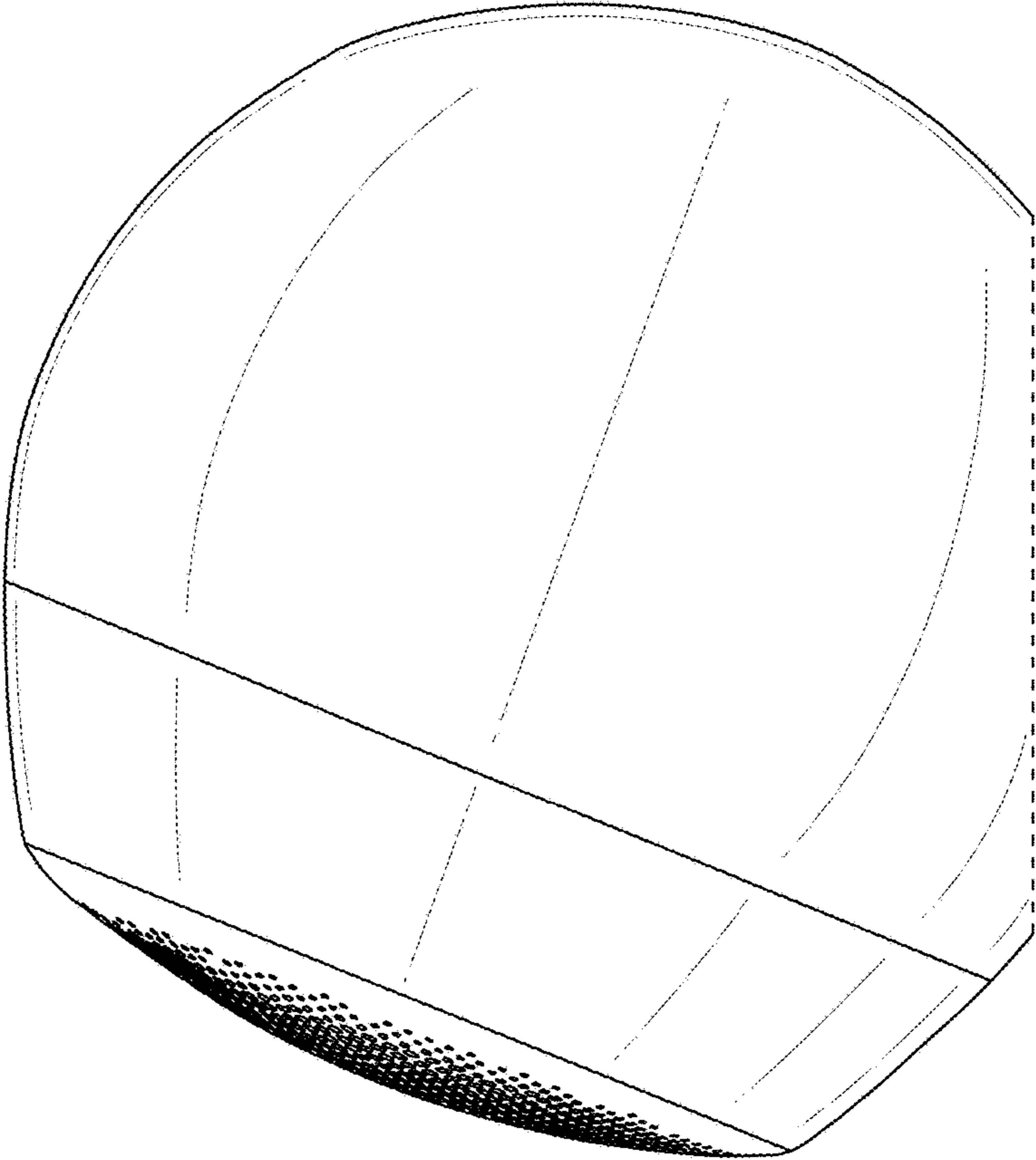


FIG. 4

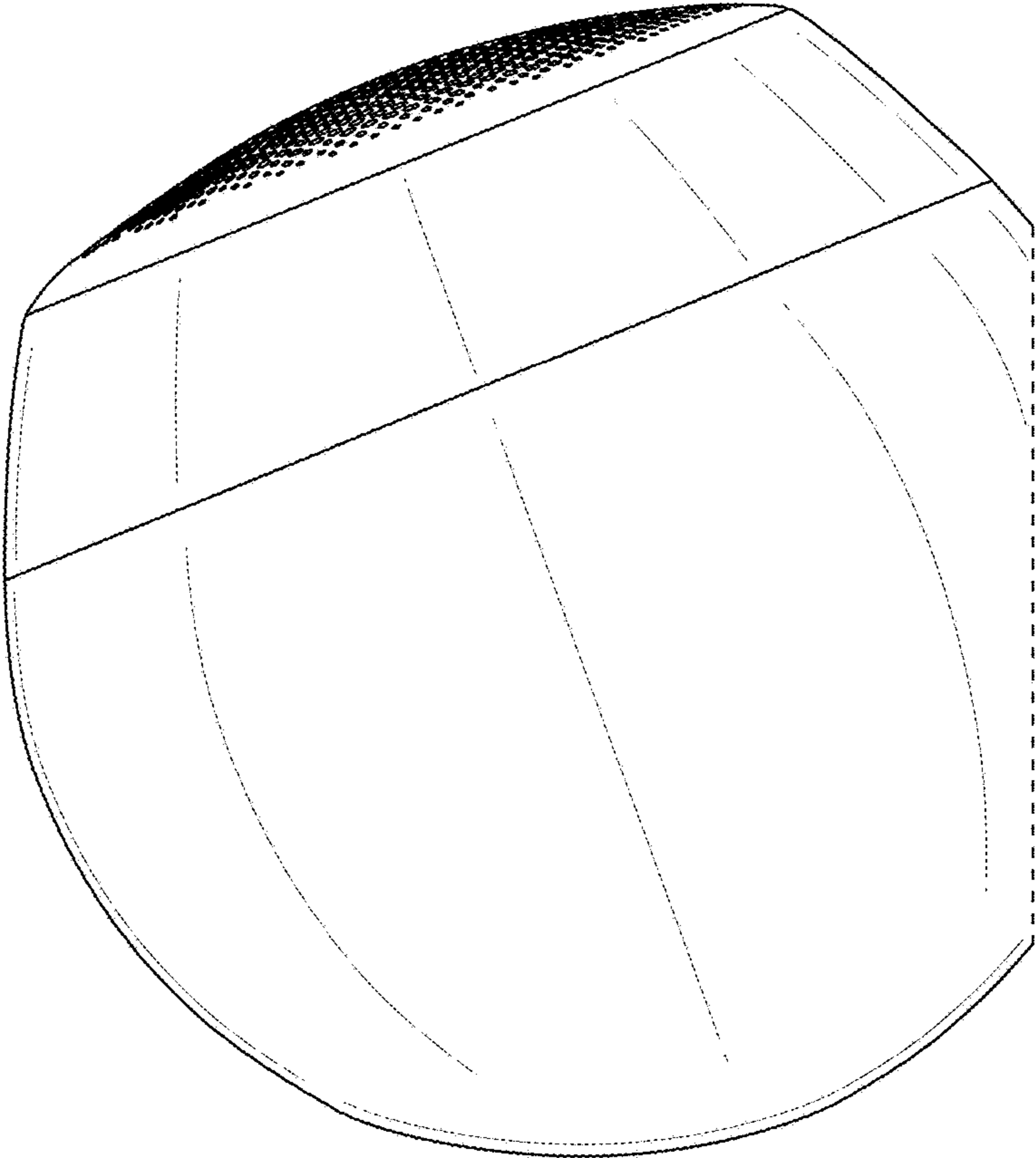


FIG. 5

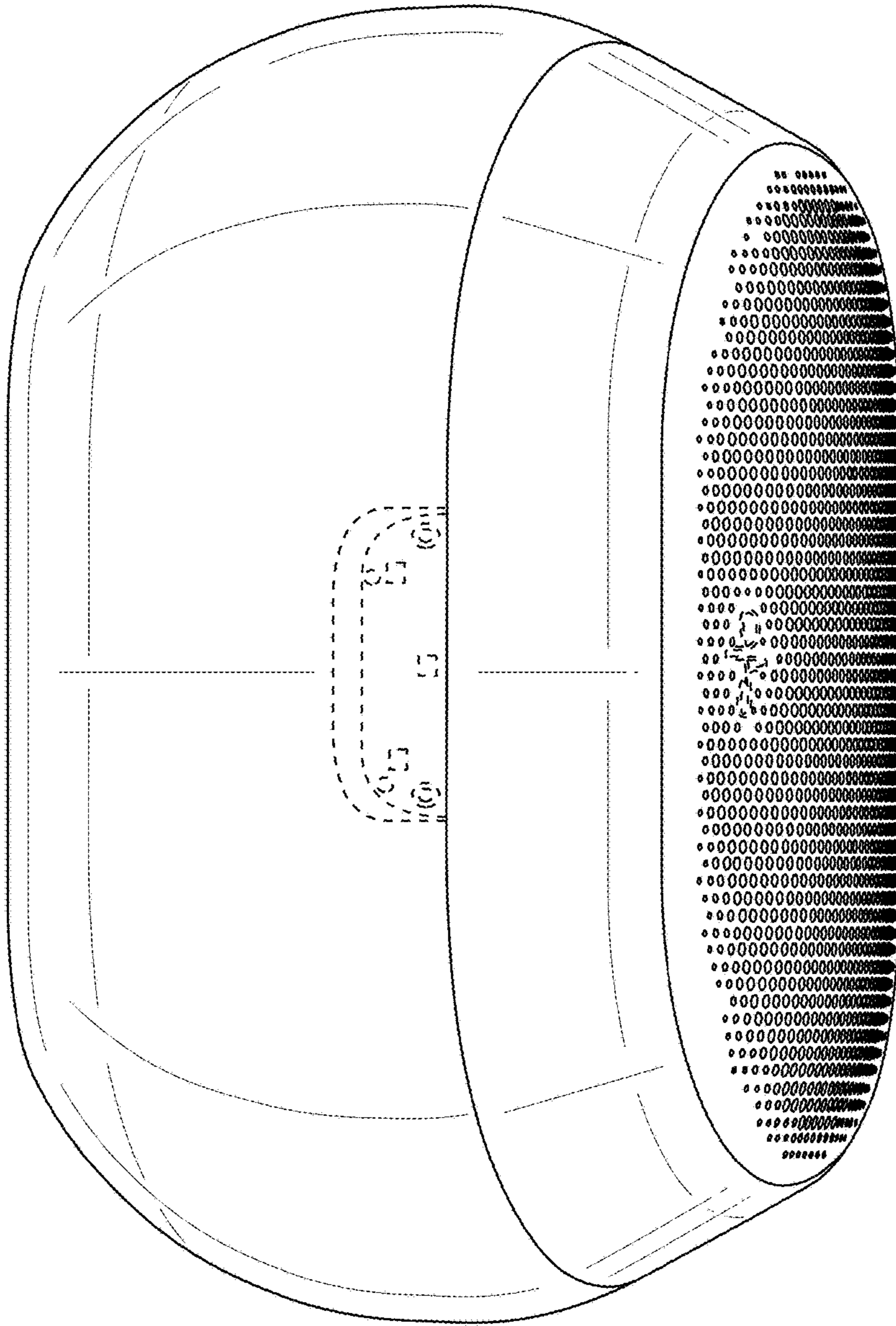


FIG. 6