

US00D862415S

(12) **United States Design Patent** (10) **Patent No.:** **US D862,415 S**
Krizan et al. (45) **Date of Patent:** **** Oct. 8, 2019**

(54) **AUDIO VISUAL DEVICE**

(56) **References Cited**

(71) Applicant: **AMX LLC**, Richardson, TX (US)

U.S. PATENT DOCUMENTS

(72) Inventors: **Paul Krizan**, Plano, TX (US); **Shaun Robinson**, Dallas, TX (US); **Mathew Bates**, Deansgrange (IE); **Ben King**, Bray (IE); **Desmond Kavanagh**, Greystones (IE)

D445,955 S	*	7/2001	Neergaard	D24/101
D468,294 S	*	1/2003	Solland	D14/216
D715,257 S	*	10/2014	Son	D14/214
D721,350 S	*	1/2015	Kim	D14/188
D726,153 S	*	4/2015	Chang	D14/214
D729,200 S	*	5/2015	Kim	D14/209.1
D742,851 S	*	11/2015	Matthews	D14/188
D759,624 S	*	6/2016	Byrd	D14/204
D768,603 S	*	10/2016	Kim	D14/214
D791,736 S	*	7/2017	Schoolmeester	D14/214
D800,693 S	*	10/2017	Sugiura	D14/214
D818,455 S	*	5/2018	McManigal	D14/214
D826,216 S	*	8/2018	Schoolmeester	D14/214
D835,605 S	*	12/2018	Schoolmeester	D14/214
D836,082 S	*	12/2018	McManigal	D14/204

(73) Assignee: **AMX LLC**, Richardson, TX (US)

(**) Term: **15 Years**

* cited by examiner

(21) Appl. No.: **29/592,950**

(22) Filed: **Feb. 3, 2017**

Primary Examiner — Keli L Hill

(51) **LOC (12) Cl.** **14-01**

(74) *Attorney, Agent, or Firm* — Plumsea Law Group, LLC

(52) **U.S. Cl.**

USPC **D14/214**

(58) **Field of Classification Search**

(57) **CLAIM**

The ornamental design for an audio visual device, as shown and described.

USPC D14/167, 168, 170–172, 188, 194–196, D14/204, 209.1, 210–216, 219, 221, 222, D14/224, 239, 496

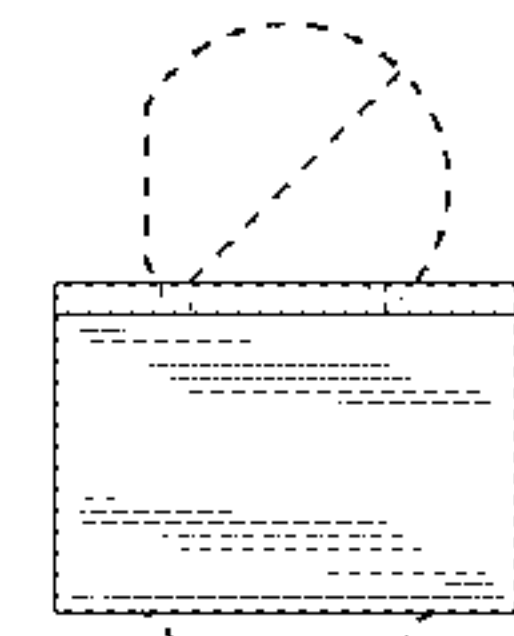
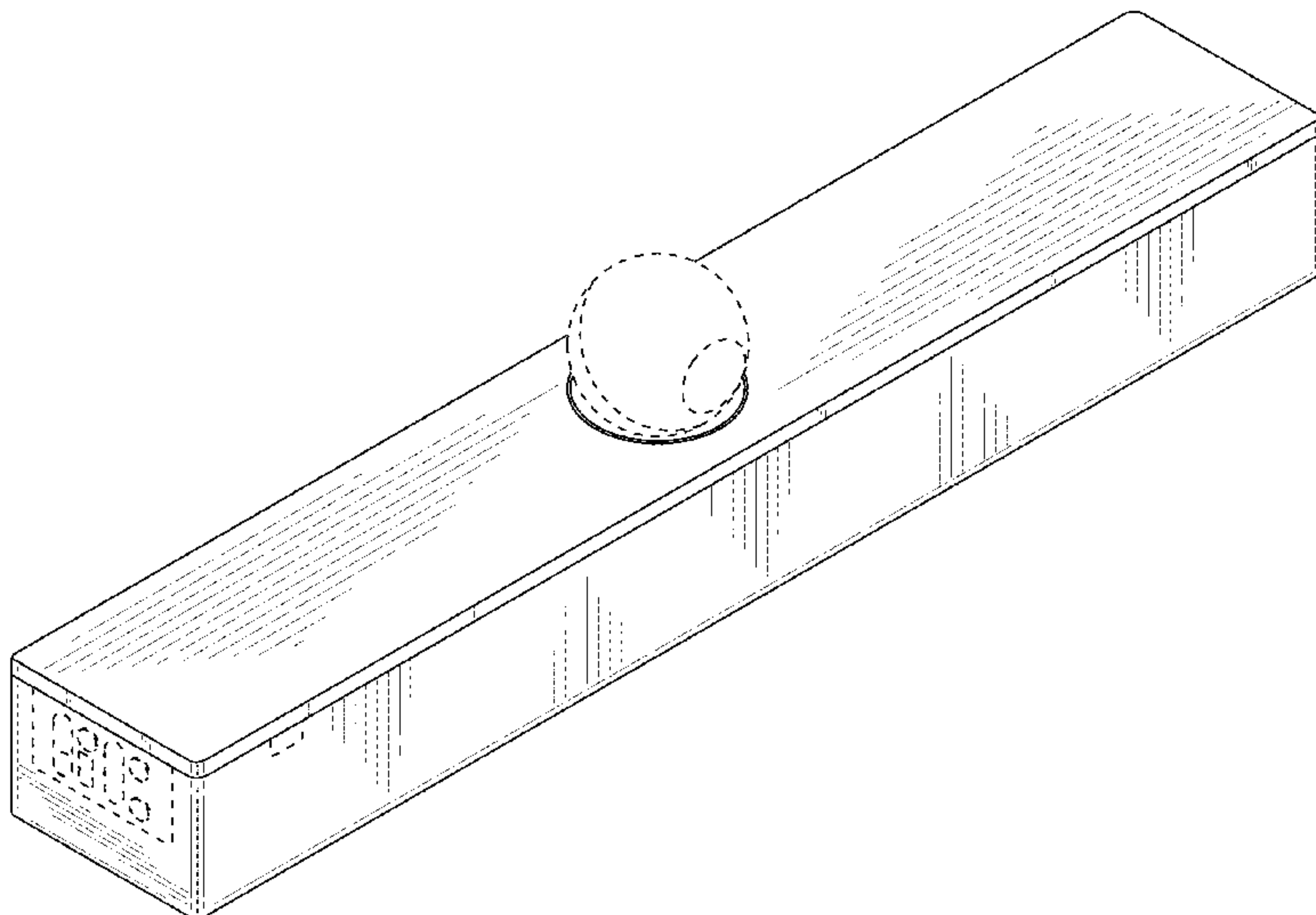
CPC B60R 11/0217; G06F 1/1688; G10K 9/22; G10K 11/004; H03F 1/327; H04M 1/03; H04M 1/035; H04N 5/642; H04N 21/4852; H04R 1/02; H04R 1/06; H04R 1/021; H04R 1/025; H04R 1/026; H04R 1/028; H04R 1/105; H04R 1/323; H04R 1/403; H04R 1/2803; H04R 1/2834; H04R 5/02; H04R 7/20; H04R 9/06; H04R 9/025; H04R 2201/021; H04R 2400/00; H04R 2400/07; H04R 2499/11; H04R 2499/13; H04R 2499/15; H04S 3/00; H04S 7/30

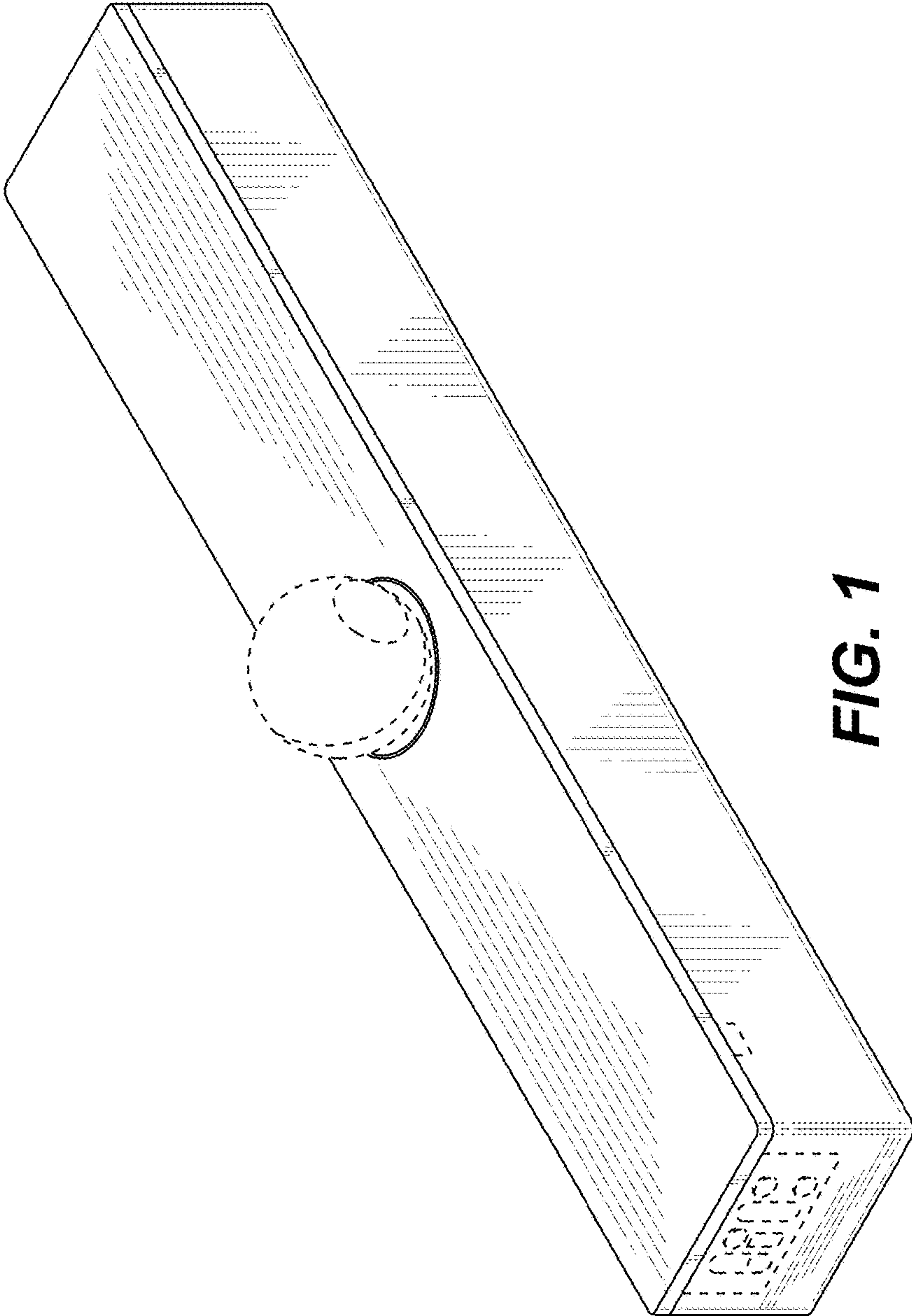
DESCRIPTION

FIG. 1 is a perspective view of an audio visual device showing our new design;
FIG. 2 is a front elevation view thereof;
FIG. 3 is a rear elevation view thereof;
FIG. 4 is a side elevation view of one side thereof;
FIG. 5 is a side elevation view of the opposite side thereof;
FIG. 6 is a top plan view thereof; and,
FIG. 7 is a bottom plan view thereof.
The broken line showings form no part of the claimed design.

See application file for complete search history.

1 Claim, 7 Drawing Sheets





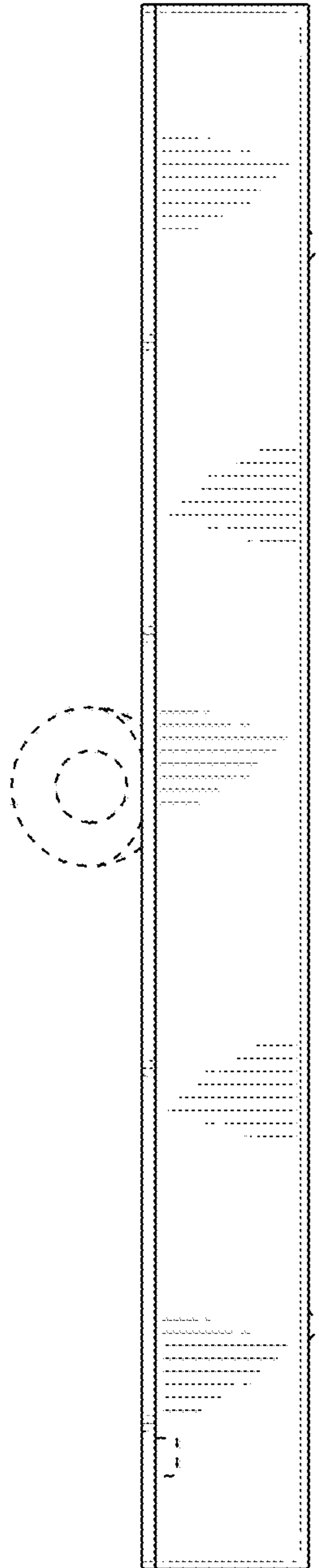


FIG. 2

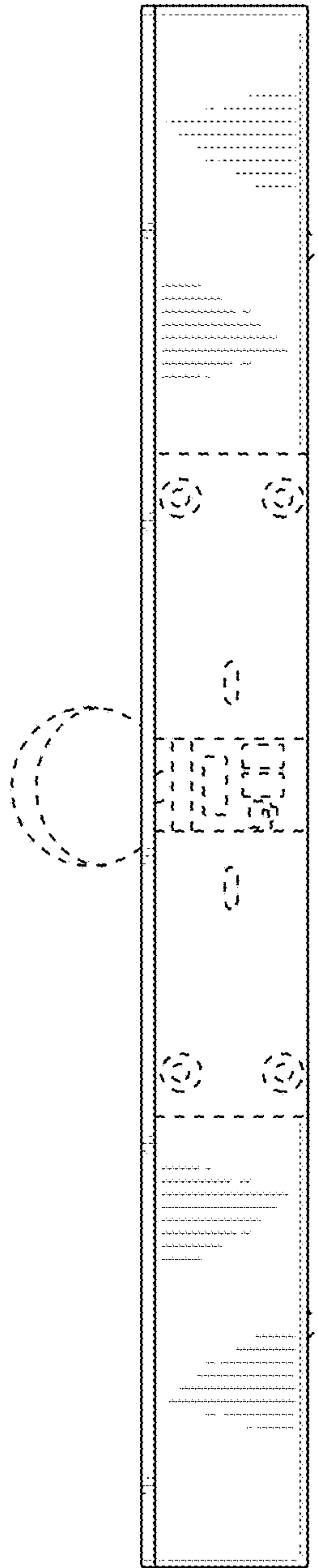


FIG. 3

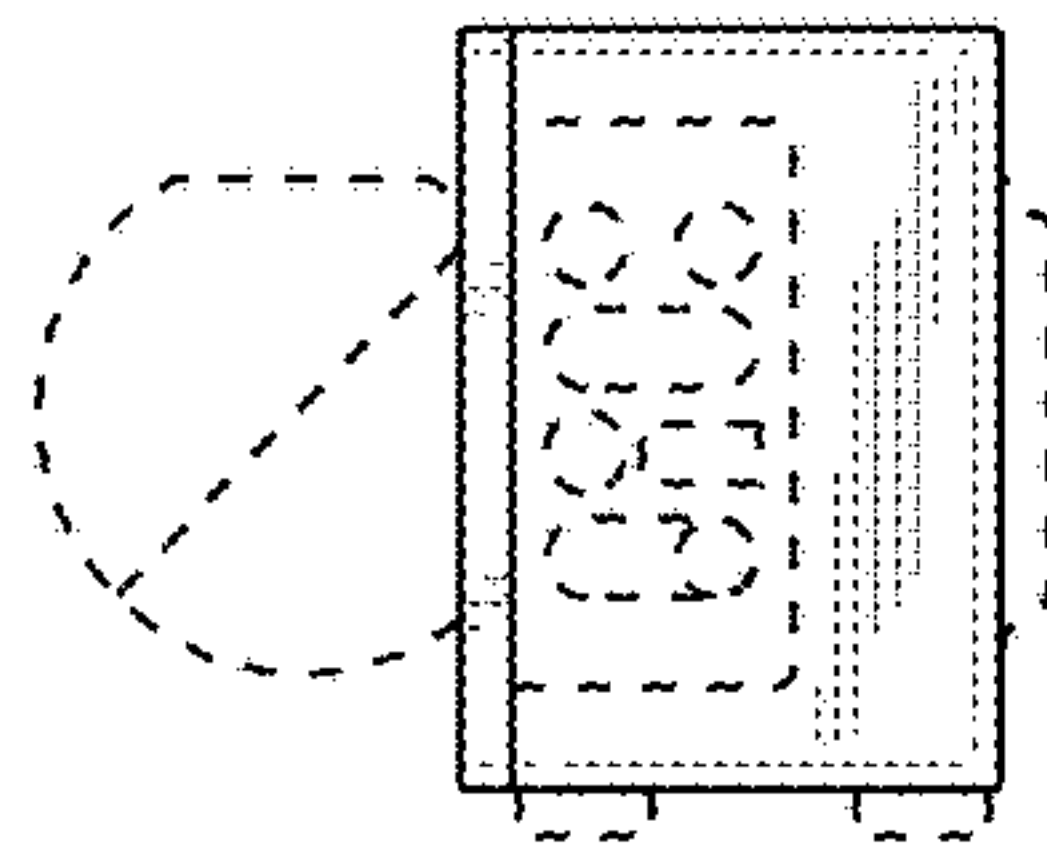


FIG. 4

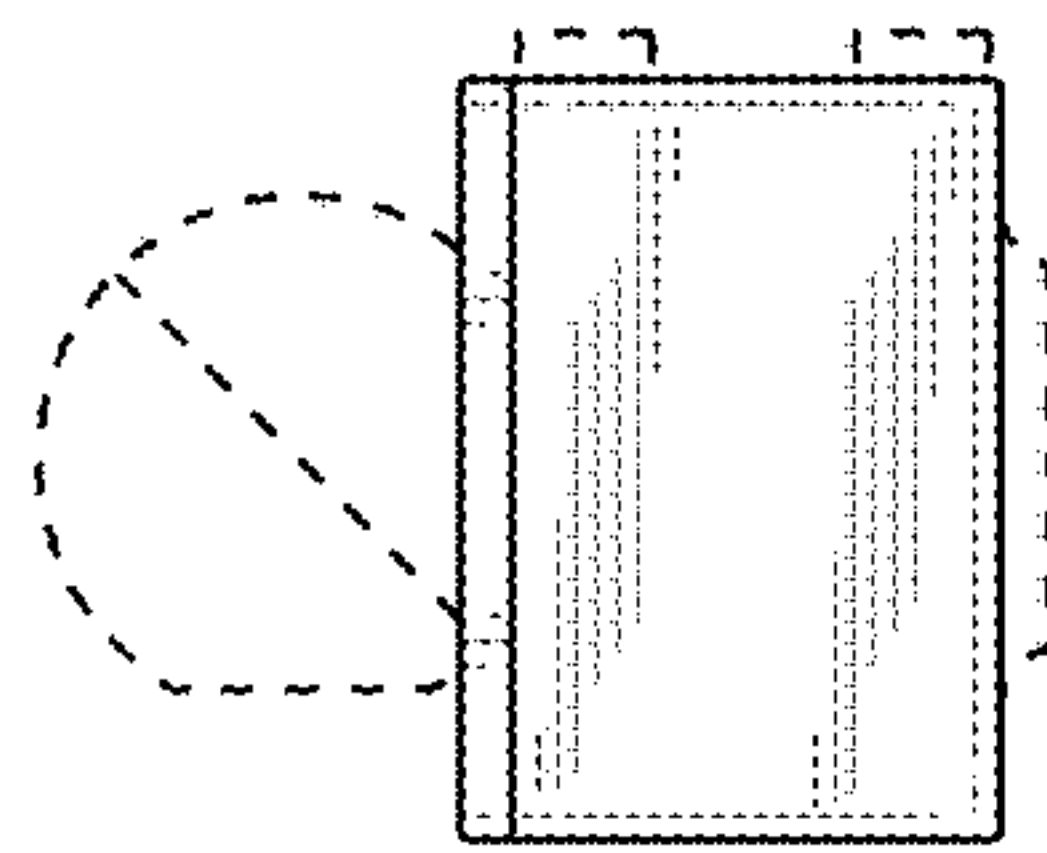


FIG. 5

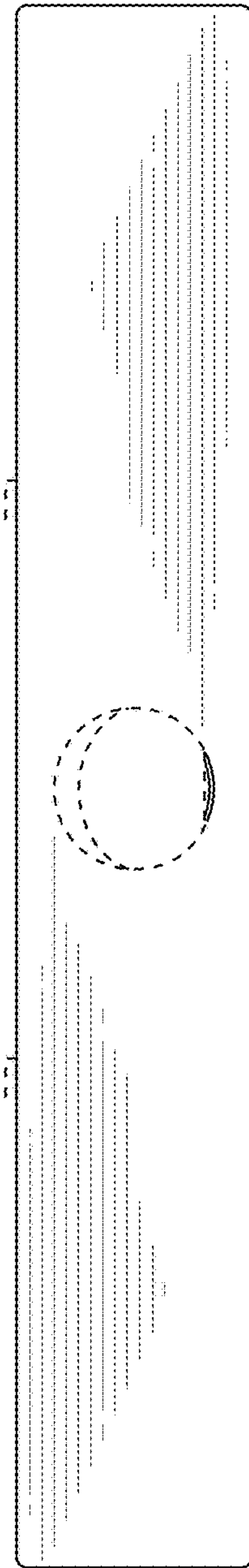


FIG. 6

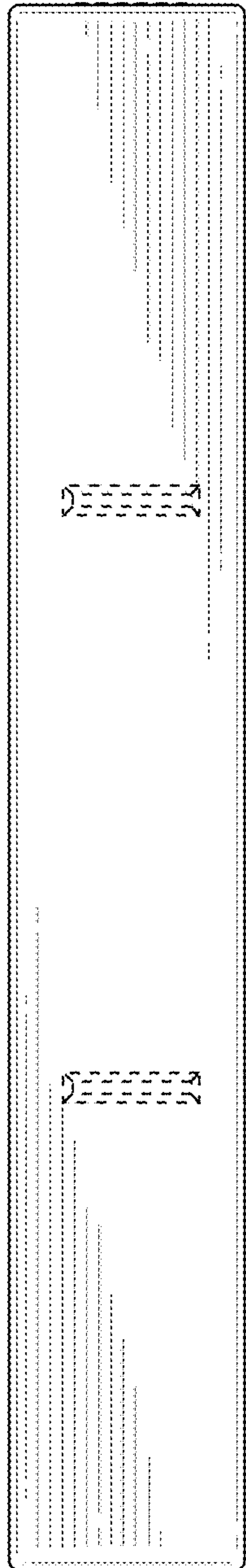


FIG. 7