



US00D862413S

(12) **United States Design Patent**
Davi et al.

(10) **Patent No.:** **US D862,413 S**
(45) **Date of Patent:** **** Oct. 8, 2019**

- (54) **HEADPHONES**
- (71) Applicant: **Davi Audio, Inc.**, Longwood, FL (US)
- (72) Inventors: **Leonard Davi**, Longwood, FL (US);
Massimo Borrelli, Moncalieri (IT);
Jason May, Converse, TX (US); **Scott Disbennett**, New Smyrna Beach, FL (US)
- (73) Assignee: **Davi Audi, Inc.**, Longwood, FL (US)
- (**) Term: **15 Years**
- (21) Appl. No.: **29/634,471**
- (22) Filed: **Jan. 22, 2018**

- D318,669 S * 7/1991 Nakayama D14/205
- D319,241 S * 8/1991 Daido D14/205
- 5,095,382 A * 3/1992 Abe H04B 10/114
320/107
- D336,646 S * 6/1993 Yamazaki D14/205
- D345,162 S * 3/1994 Yamatogi D14/205
- 5,293,647 A * 3/1994 Mirmilshteyn H04R 1/10
2/209
- D348,465 S * 7/1994 Yamatogi D14/205

(Continued)

Primary Examiner — Paula Allen Greene
(74) *Attorney, Agent, or Firm* — Michael L. Leetzow, P.A.

(57) **CLAIM**

The ornamental design for headphones, as shown and described.

DESCRIPTION

FIG. 1 is a back side perspective view from the top of a portion of headphones showing our new design;
 FIG. 2 is a back side perspective view from the bottom of the portion of the headphones shown in FIG. 1;
 FIG. 3 is a back side view of the portion of the headphones shown in FIG. 1;
 FIG. 4 is a front side view of the portion of the headphones shown in FIG. 1;
 FIG. 5 is a left side view of the portion of the headphones shown in FIG. 1;
 FIG. 6 is a right side view of the portion of the headphones shown in FIG. 1;
 FIG. 7 is a top side view of the portion of the headphones shown in FIG. 1; and,
 FIG. 8 is a bottom side view of the portion of the headphones shown in FIG. 1.

The broken lines immediately adjacent the shaded areas represent the bounds of the claimed design while all other broken lines are directed to environment and are for illustrative purposes only; the broken lines form no part of the claimed design.

1 Claim, 7 Drawing Sheets

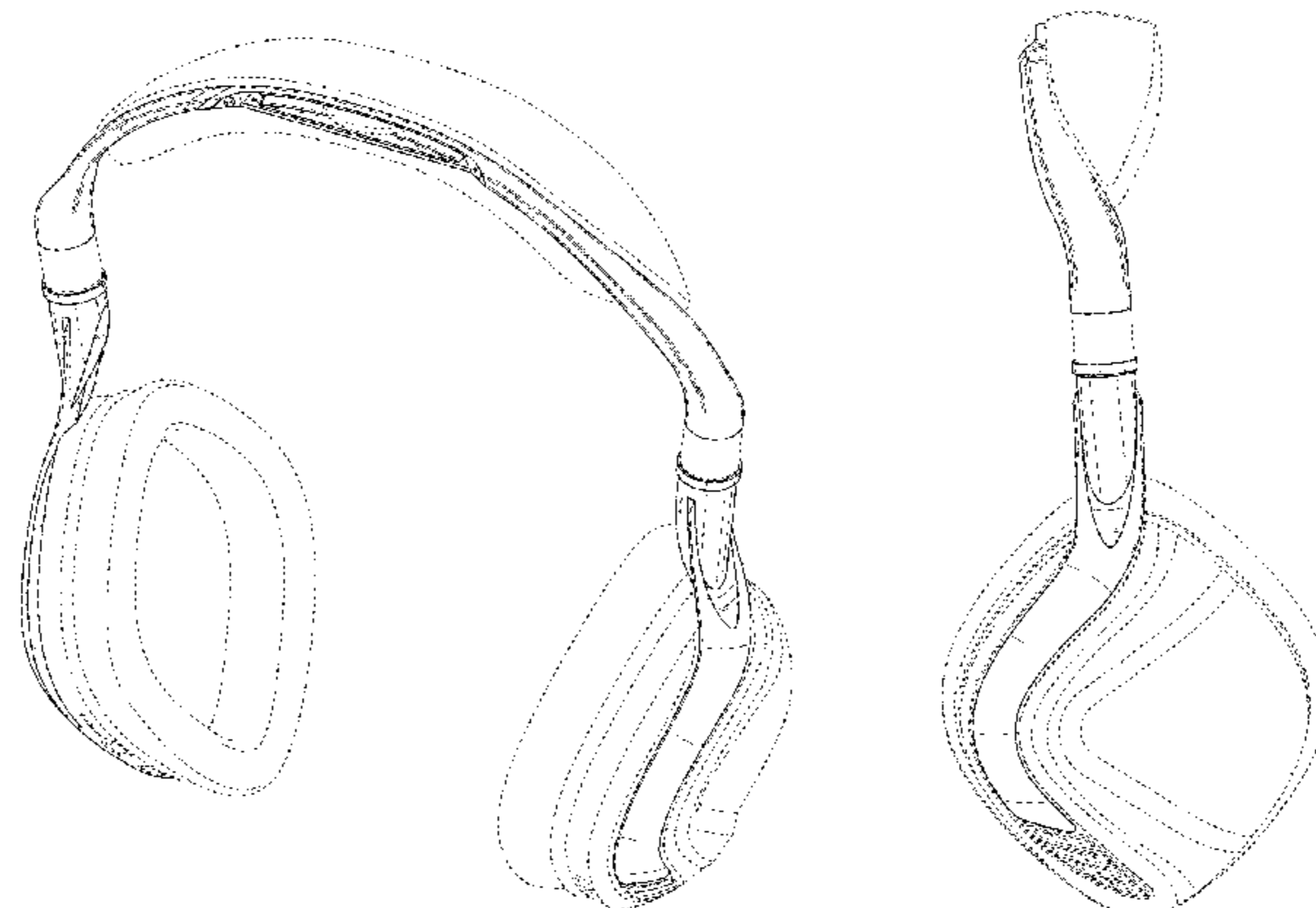
Related U.S. Application Data

- (62) Division of application No. 29/582,914, filed on Oct. 31, 2016, now Pat. No. Des. 829,686.
- (51) **LOC (12) Cl.** **14-01**
- (52) **U.S. Cl.**
USPC **D14/205**
- (58) **Field of Classification Search**
USPC D14/205, 188, 192; D29/112; 2/209;
181/129, 130, 135; 379/430, 431;
381/380, 381, 374; 455/90.3, 575.1,
455/569.1
CPC H04R 1/1066; H04R 1/1016; H04R 25/00;
H04R 1/10; H04R 5/033; H04R 5/0335
See application file for complete search history.

References Cited

U.S. PATENT DOCUMENTS

- D244,037 S 4/1977 Warner et al.
- 4,741,030 A * 4/1988 Wilson H04M 1/05
379/368
- 4,829,571 A 5/1989 Kakiuchi et al.
- D302,429 S 7/1989 Leer
- D316,861 S * 5/1991 Yoda D14/205



(56)

References Cited

U.S. PATENT DOCUMENTS

D353,817 S * 12/1994 Wada D14/205
 D358,391 S * 5/1995 Isono D14/205
 5,459,290 A 10/1995 Yamagishi
 D369,604 S 5/1996 Morimiya
 D373,360 S * 9/1996 Kanno D14/205
 D375,312 S 11/1996 Kanno
 D377,021 S * 12/1996 Isono D14/205
 D386,181 S * 11/1997 Fisher D14/192
 D394,062 S * 5/1998 Chun D14/192
 D405,449 S * 2/1999 Nakamura D14/205
 D423,012 S 4/2000 Yasutomi
 6,385,325 B1 * 5/2002 Nageno H04R 1/1066
 381/370
 D471,176 S * 3/2003 Suzuki D14/205
 D484,485 S * 12/2003 Matsuoka D14/205
 D492,941 S * 7/2004 Komiyama D14/205
 D492,943 S * 7/2004 Komiyama D14/205
 D504,414 S * 4/2005 Yoshida D14/192
 D510,335 S * 10/2005 Suzuki D14/205
 D520,492 S 5/2006 Chen
 7,172,052 B2 * 2/2007 Lenhard-Backhaus
 H04R 1/1066
 181/129
 D541,255 S 4/2007 Taylor et al.
 D583,800 S * 12/2008 Jaakkola D14/205
 D588,098 S * 3/2009 Kurihara D14/205

D591,263 S * 4/2009 Shimizu D14/205
 D594,847 S 6/2009 Suzuki
 D625,703 S 10/2010 Kolton
 D632,667 S 2/2011 Martin
 D648,318 S 11/2011 Huang
 D691,109 S * 10/2013 Hardi D14/205
 8,774,420 B2 7/2014 Belafonte et al.
 D712,375 S * 9/2014 Miyake D14/205
 D716,256 S 10/2014 Ang
 8,923,525 B2 * 12/2014 Saideh H04R 1/1033
 381/309
 D727,286 S * 4/2015 Galler D14/205
 D727,289 S * 4/2015 Czaniecki D14/205
 D741,286 S 10/2015 Brennwald et al.
 D745,860 S 12/2015 Logan
 D746,793 S 1/2016 Logan
 D763,223 S * 8/2016 Czaniecki D14/205
 D763,821 S * 8/2016 Leopardi D14/205
 D773,434 S * 12/2016 Wu D14/205
 D788,071 S 5/2017 Logan
 D795,218 S 8/2017 Ohmachi
 D829,686 S * 10/2018 Davi D14/205
 D841,615 S * 2/2019 Bian D14/205
 2005/0053255 A1 * 3/2005 Harris H04R 1/1066
 381/379
 2007/0165899 A1 * 7/2007 Garin H04R 1/1066
 381/377
 2010/0177907 A1 * 7/2010 Morisawa H04R 1/1066
 381/74

* cited by examiner

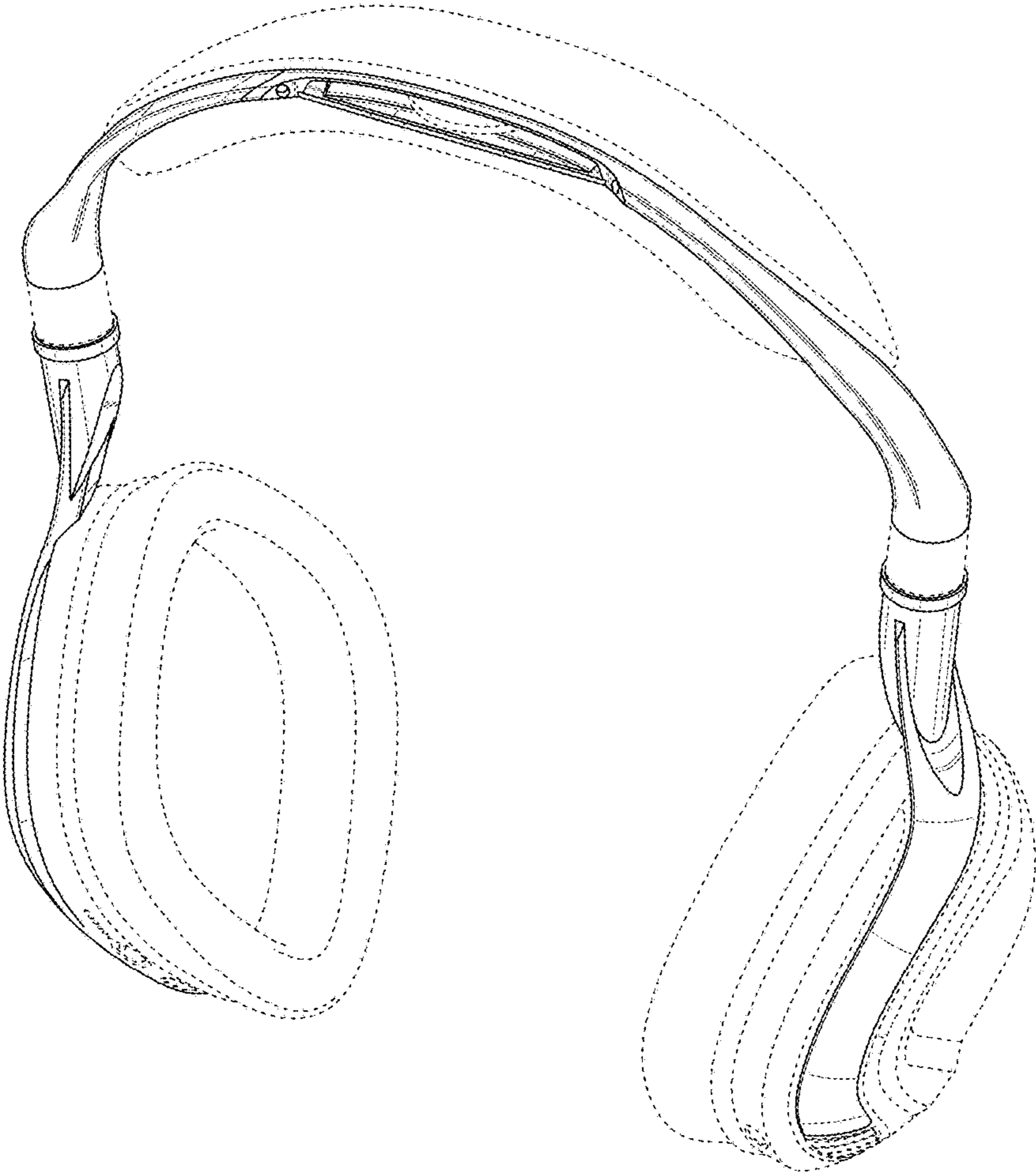


Fig. 1

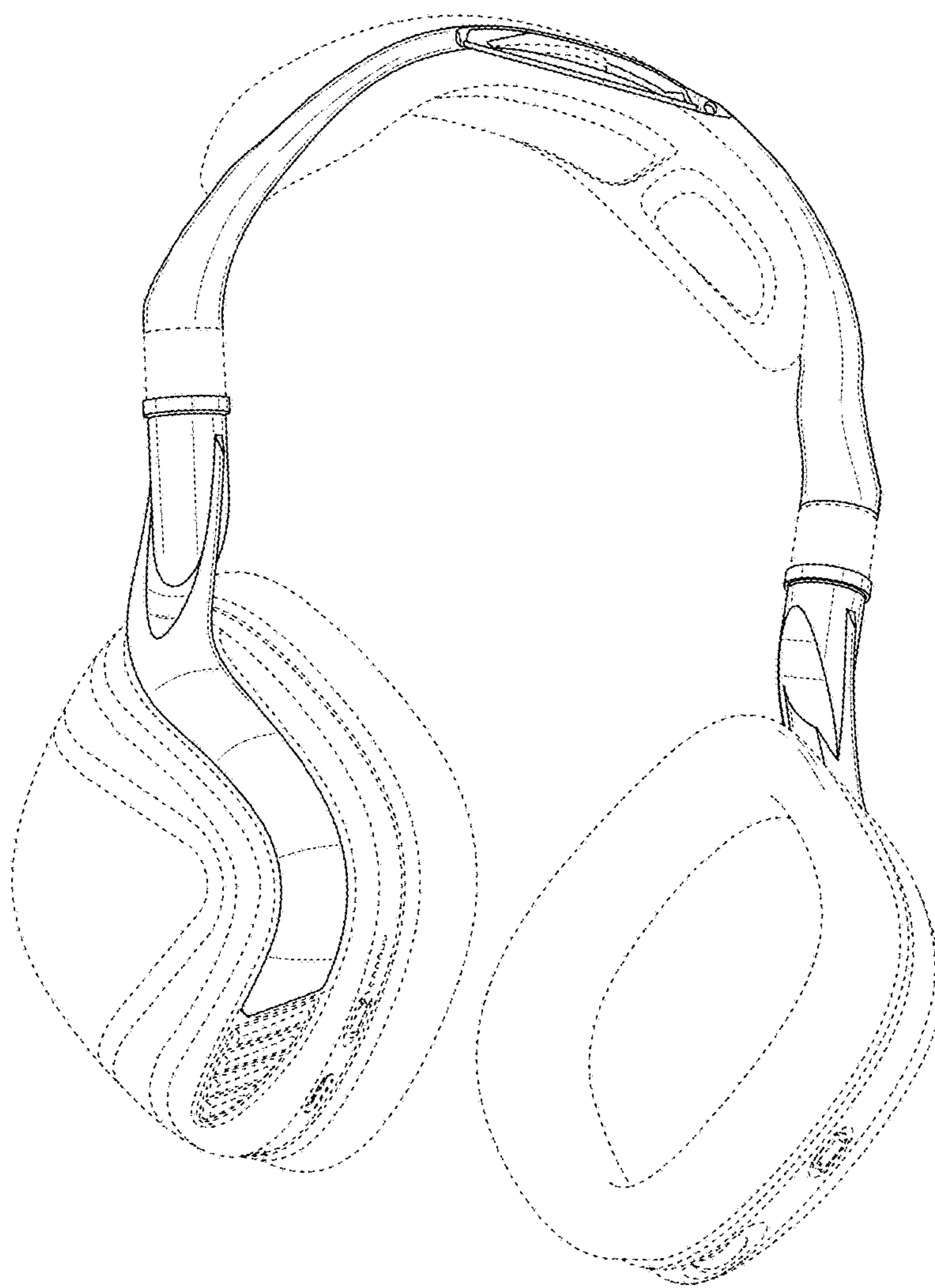


Fig. 2



Fig. 3



Fig. 4

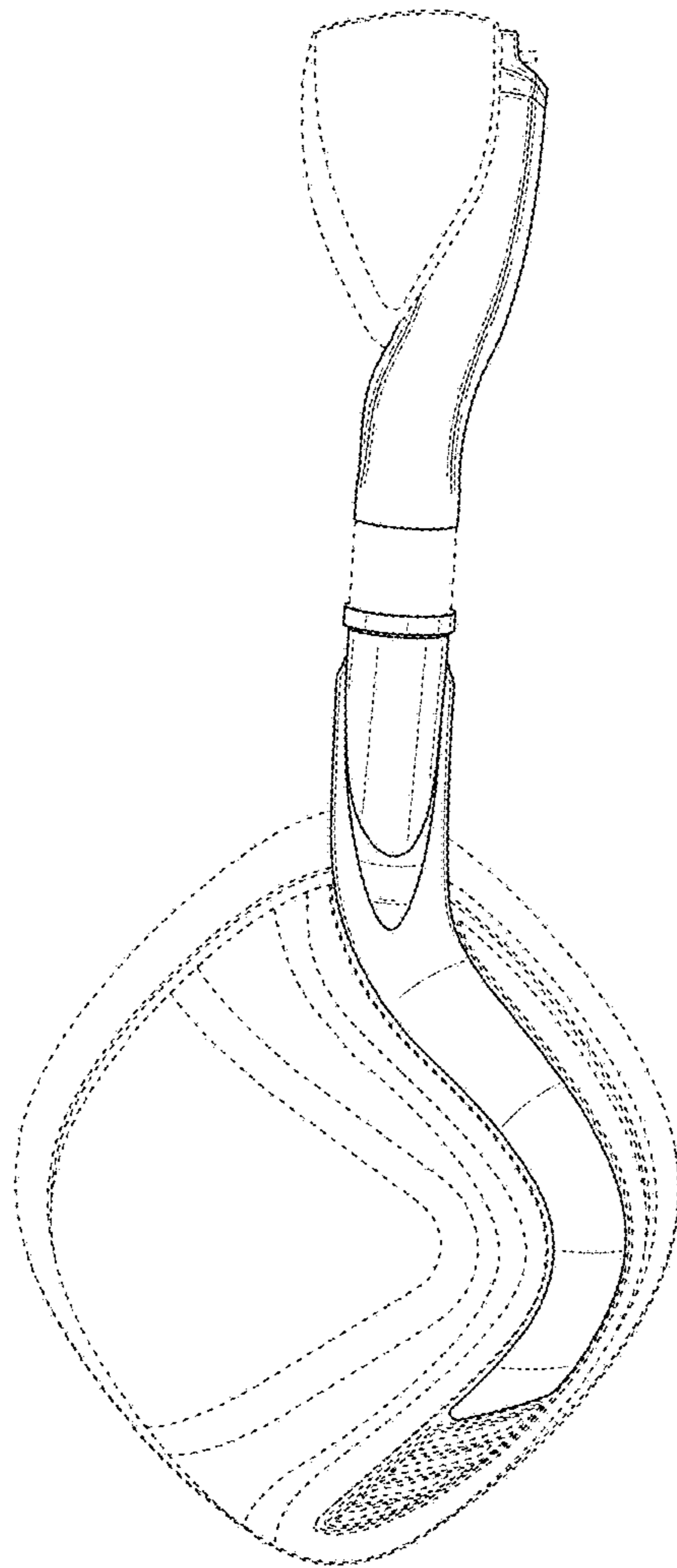


Fig. 5

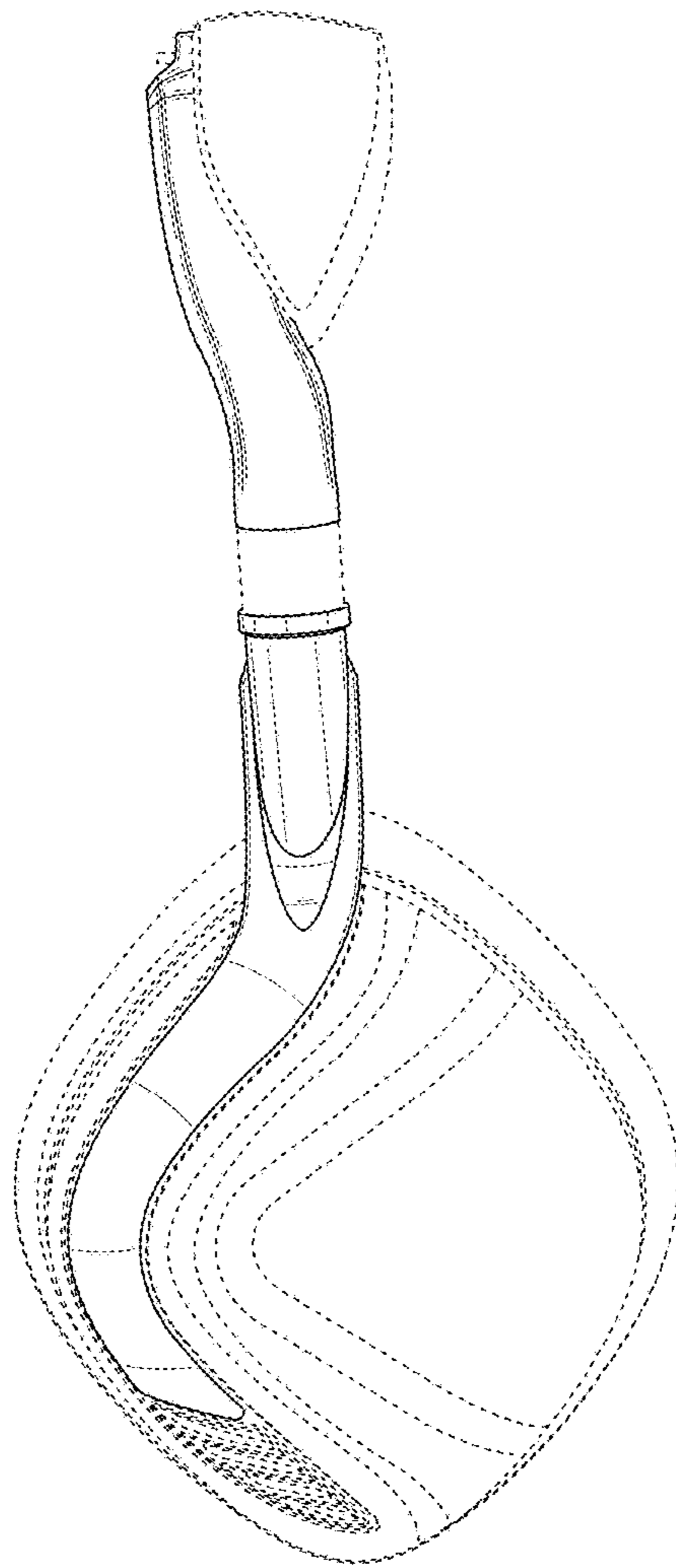


Fig. 6

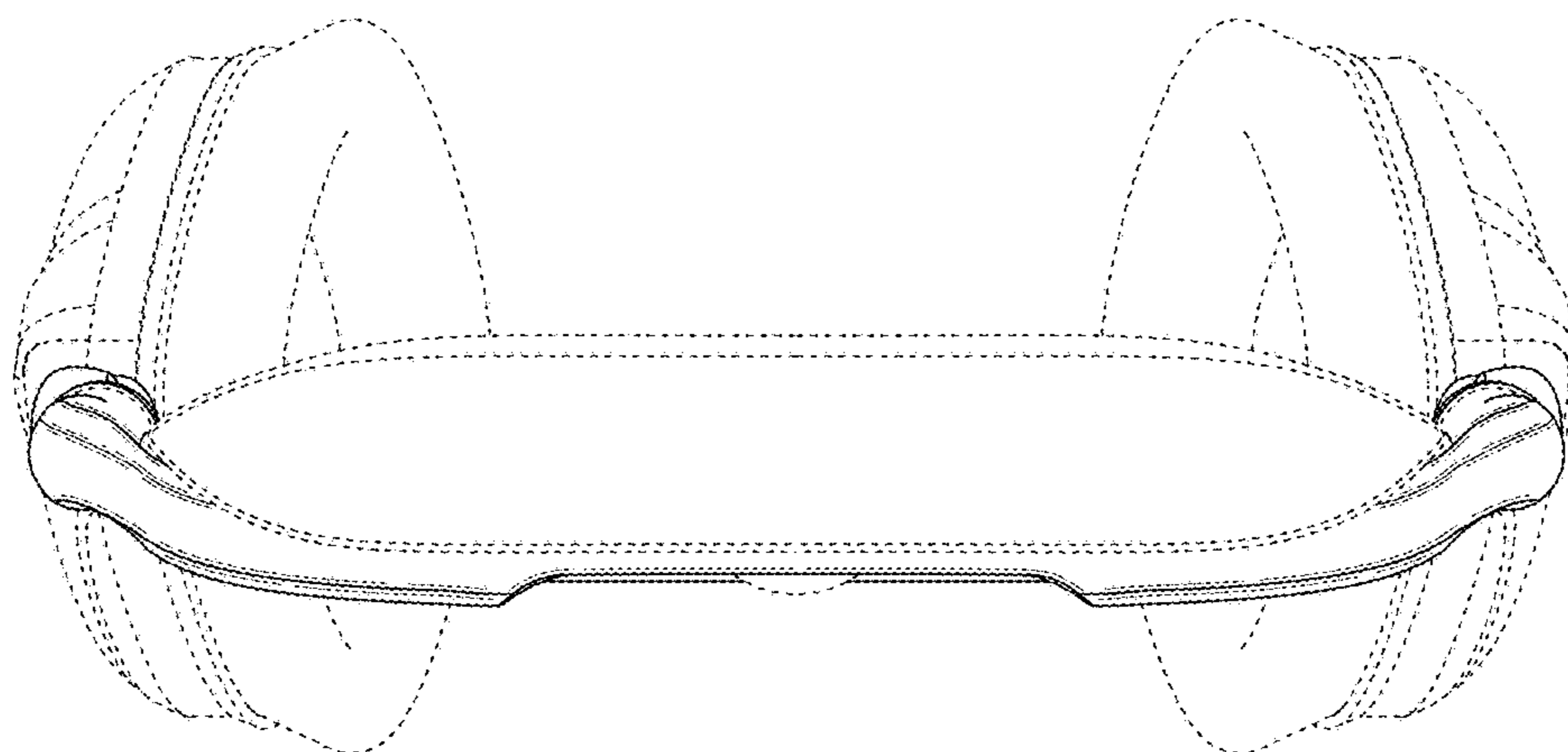


Fig. 7

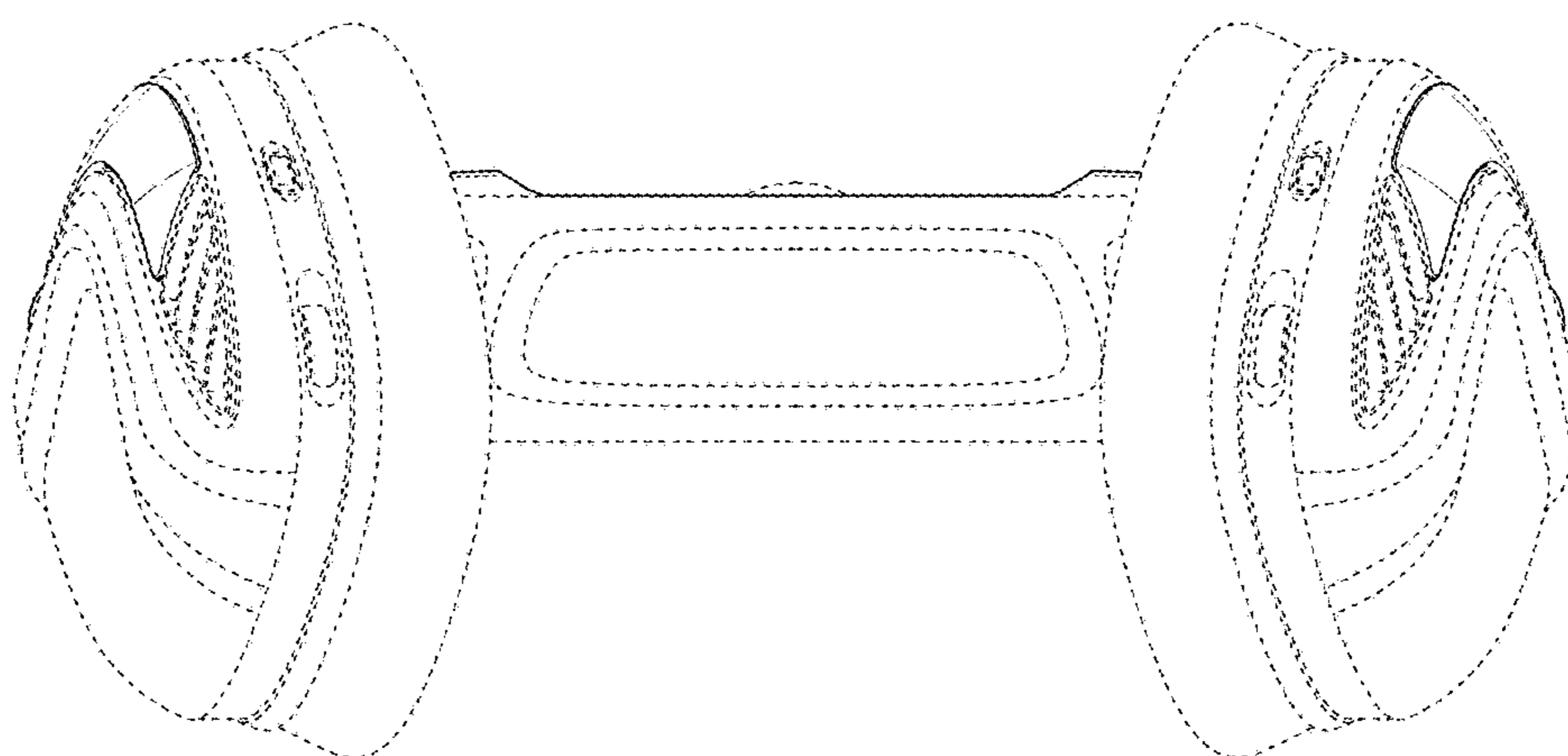


Fig. 8