



US00D862412S

(12) **United States Design Patent**
Yook

(10) **Patent No.:** **US D862,412 S**

(45) **Date of Patent:** **** Oct. 8, 2019**

(54) **HEADPHONE**

(71) Applicant: **Harman International Industries, Incorporated**, Northridge, CA (US)

(72) Inventor: **Jinwon Yook**, Shenzhen (CN)

(73) Assignee: **Harman International Industries, Incorporated**, Northridge, CA (US)

(**) Term: **15 Years**

(21) Appl. No.: **29/627,685**

(22) Filed: **Nov. 29, 2017**

(51) **LOC (12) Cl.** **14-01**

(52) **U.S. Cl.**
USPC **D14/205**; D14/223

(58) **Field of Classification Search**
USPC D14/223, 205; 181/129, 130, 135;
379/430, 431; 381/380, 381, 370, 374;
455/90.3, 575.1, 569.1
CPC H04R 1/10; H04R 1/1016; H04R 1/1066;
H04R 25/00; H04R 25/02; H04R 5/033;
H04R 5/0335
See application file for complete search history.

(56) **References Cited**

U.S. PATENT DOCUMENTS

- 2,584,402 A * 2/1952 Volkmann H04R 25/556
181/129
- D318,670 S 7/1991 Taniguchi
- D326,655 S 6/1992 Iribe
- D331,061 S * 11/1992 Hyohgo D14/223
- 5,222,151 A 6/1993 Nagayoshi et al.
- 5,410,608 A 4/1995 Lucey et al.
- 5,949,896 A * 9/1999 Nageno H04R 1/1016
381/328
- 6,122,369 A 9/2000 Hwang et al.
- D431,553 S * 10/2000 Suzuki D14/223
- 6,222,151 B1 4/2001 Ziolkowski et al.

- D473,217 S 4/2003 Rivera
- D487,077 S * 2/2004 Obata D14/223
- D514,551 S * 2/2006 Lee D14/205

(Continued)

OTHER PUBLICATIONS

Design U.S. Appl. No. 29/576,111, filed Aug. 31, 2016.

(Continued)

Primary Examiner — Paula Allen Greene

(74) *Attorney, Agent, or Firm* — Plumsea Law Group, LLC

(57) **CLAIM**

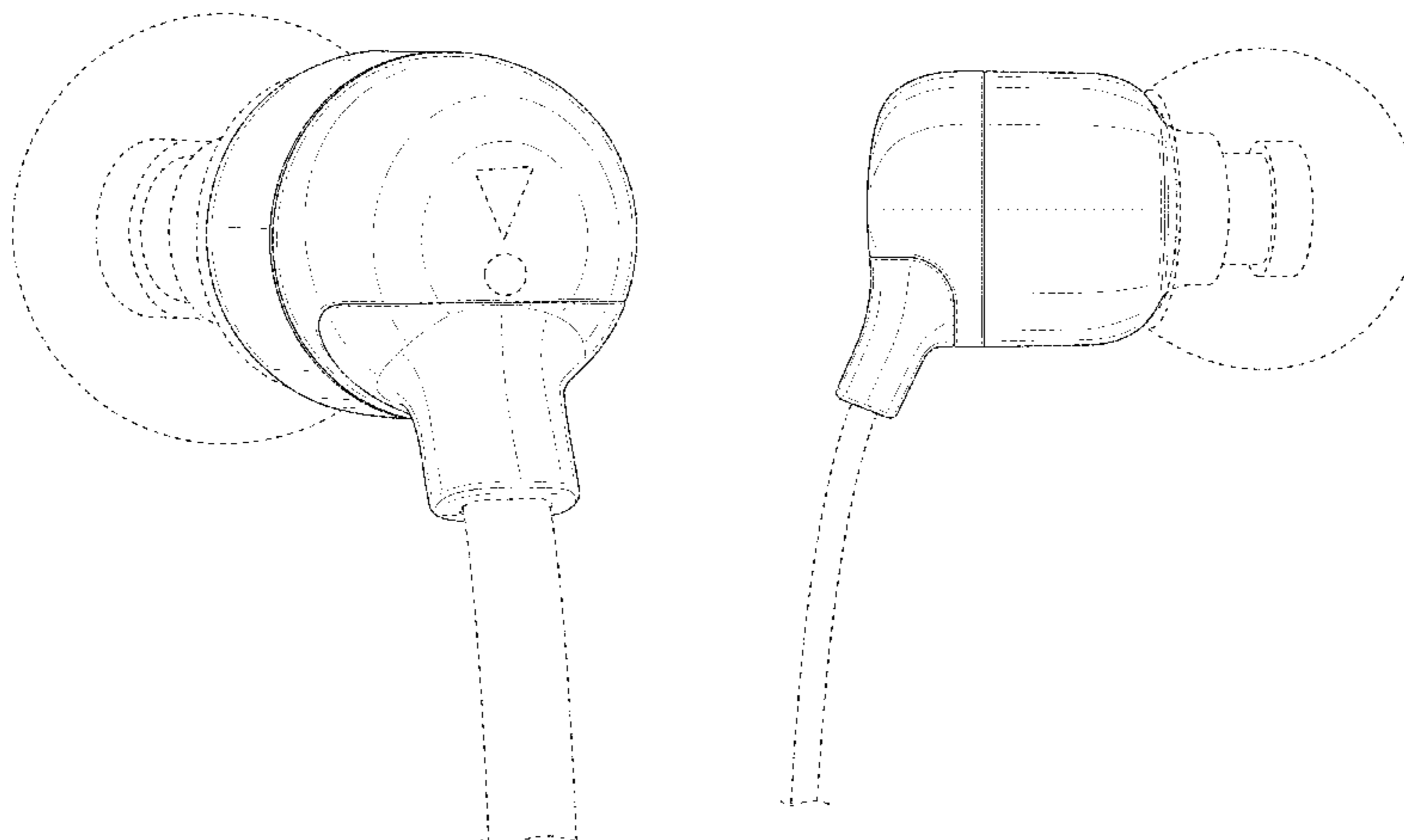
The ornamental design for a headphone, as shown and described.

DESCRIPTION

FIG. 1 is a perspective view of a headphone showing the new design;
 FIG. 2 is a front elevational view thereof;
 FIG. 3 is a rear elevational view thereof;
 FIG. 4 is a side elevational view of one side thereof;
 FIG. 5 is a side elevational view of the opposite side thereof;
 FIG. 6 is a top plan view thereof;
 FIG. 7 is a bottom plan view thereof;
 FIG. 8 is a perspective view of an opposite-handed embodiment of the headphone of FIG. 1;
 FIG. 9 is a front elevational view thereof;
 FIG. 10 is a rear elevational view thereof;
 FIG. 11 is a side elevational view of one side thereof;
 FIG. 12 is a side elevational view of the opposite side thereof;
 FIG. 13 is a top plan view thereof; and,
 FIG. 14 is a bottom plan view thereof.

The broken lines immediately adjacent the shaded areas represent the bounds of the claimed design, while all other broken lines are directed to environment and are for illustrative purposes only; the broken lines form no part of the claimed design.

1 Claim, 14 Drawing Sheets



(56)

References Cited

U.S. PATENT DOCUMENTS

D519,107 S * 4/2006 Yang D14/223
 D519,108 S * 4/2006 Yang D14/223
 D539,782 S 4/2007 Lee
 D554,627 S * 11/2007 Gondo D14/223
 D563,945 S * 3/2008 Johns D14/205
 D564,495 S * 3/2008 Sasaki D14/205
 D567,217 S 4/2008 Kamo et al.
 D569,841 S 5/2008 Chung et al.
 D572,703 S * 7/2008 Ledbetter D14/205
 D576,111 S * 9/2008 Azzola D13/160
 D576,154 S 9/2008 Ledbetter et al.
 D579,005 S * 10/2008 Wilhelmsen D14/223
 D587,681 S * 3/2009 Yanai D14/205
 D591,721 S * 5/2009 Densho D14/205
 D591,722 S * 5/2009 Densho D14/205
 D594,441 S 6/2009 Lee et al.
 D598,894 S 8/2009 Masuda et al.
 D599,778 S 9/2009 Ando
 D602,905 S * 10/2009 Morisawa D14/205
 D605,628 S 12/2009 Ando
 D606,971 S 12/2009 Christopher et al.
 D614,168 S * 4/2010 Rogers D14/206
 D618,209 S 6/2010 Andre et al.
 D627,764 S * 11/2010 Tsai D14/223
 7,920,902 B2 4/2011 Carroll
 D651,589 S 1/2012 Fischer
 D653,236 S * 1/2012 Andre D14/205
 D653,242 S 1/2012 Katsuraku et al.
 D654,056 S 2/2012 Hoggarth et al.
 D656,922 S 3/2012 Massaro et al.
 D666,581 S 9/2012 Perez
 8,265,323 B2 * 9/2012 Stiehl B29C 45/0025
 381/371
 8,290,193 B2 * 10/2012 Pang H04R 1/1033
 381/370
 D674,904 S 1/2013 Aunio
 D680,102 S 4/2013 Chen
 D685,764 S * 7/2013 Coulter D14/205
 D698,750 S 2/2014 Yoon
 D699,226 S 2/2014 Yoon
 8,731,227 B2 5/2014 Hwang
 8,743,533 B2 6/2014 Stanley
 8,761,430 B2 6/2014 Zimmerman
 D711,356 S 8/2014 Yang

D712,371 S 9/2014 Henning
 D726,145 S 4/2015 Hsieh et al.
 D727,871 S 4/2015 Orbach
 D728,528 S 5/2015 Akana et al.
 D740,255 S * 10/2015 Samrelius D14/206
 D743,381 S 11/2015 Pi et al.
 D746,792 S 1/2016 Kim
 D767,532 S 9/2016 Jen
 D776,635 S 1/2017 Chang et al.
 D777,138 S 1/2017 Fletcher et al.
 D780,155 S 2/2017 Levine et al.
 D782,997 S 4/2017 Shin et al.
 D782,998 S 4/2017 Shin et al.
 D783,578 S * 4/2017 Bristol D14/223
 D787,480 S * 5/2017 Morris D14/223
 D795,225 S 8/2017 Sumii
 D801,951 S * 11/2017 Bao D14/223
 D804,445 S * 12/2017 Golnik D14/205
 D806,059 S * 12/2017 Ott D14/223
 D809,487 S * 2/2018 Lee D14/223
 D824,359 S * 7/2018 Czaniecki D14/205
 D824,875 S * 8/2018 Czaniecki D14/205
 D825,534 S * 8/2018 Kim D14/223
 D834,561 S * 11/2018 Bristol D14/223
 2007/0189570 A1 * 8/2007 Matsuo H04R 1/1016
 381/382
 2008/0166003 A1 7/2008 Hankey et al.
 2009/0238395 A1 9/2009 Jubelirer et al.
 2011/0110552 A1 5/2011 Pang et al.
 2011/0176700 A1 7/2011 Hashimoto
 2011/0249856 A1 * 10/2011 Takei H04R 1/1016
 381/380
 2012/0170790 A1 7/2012 Pang et al.
 2013/0170692 A1 7/2013 Kaneko et al.
 2013/0259287 A1 * 10/2013 Tseng H04R 1/1016
 381/380
 2015/0382099 A1 * 12/2015 Chu H04R 1/2811
 381/370

OTHER PUBLICATIONS

Design U.S. Appl. No. 29/592,110, filed Jan. 26, 2017.
 Design U.S. Appl. No. 29/631,522, filed Dec. 29, 2017.
 Office Action dated Feb. 21, 2019 in Design U.S. Appl. No. 29/631,522.

* cited by examiner

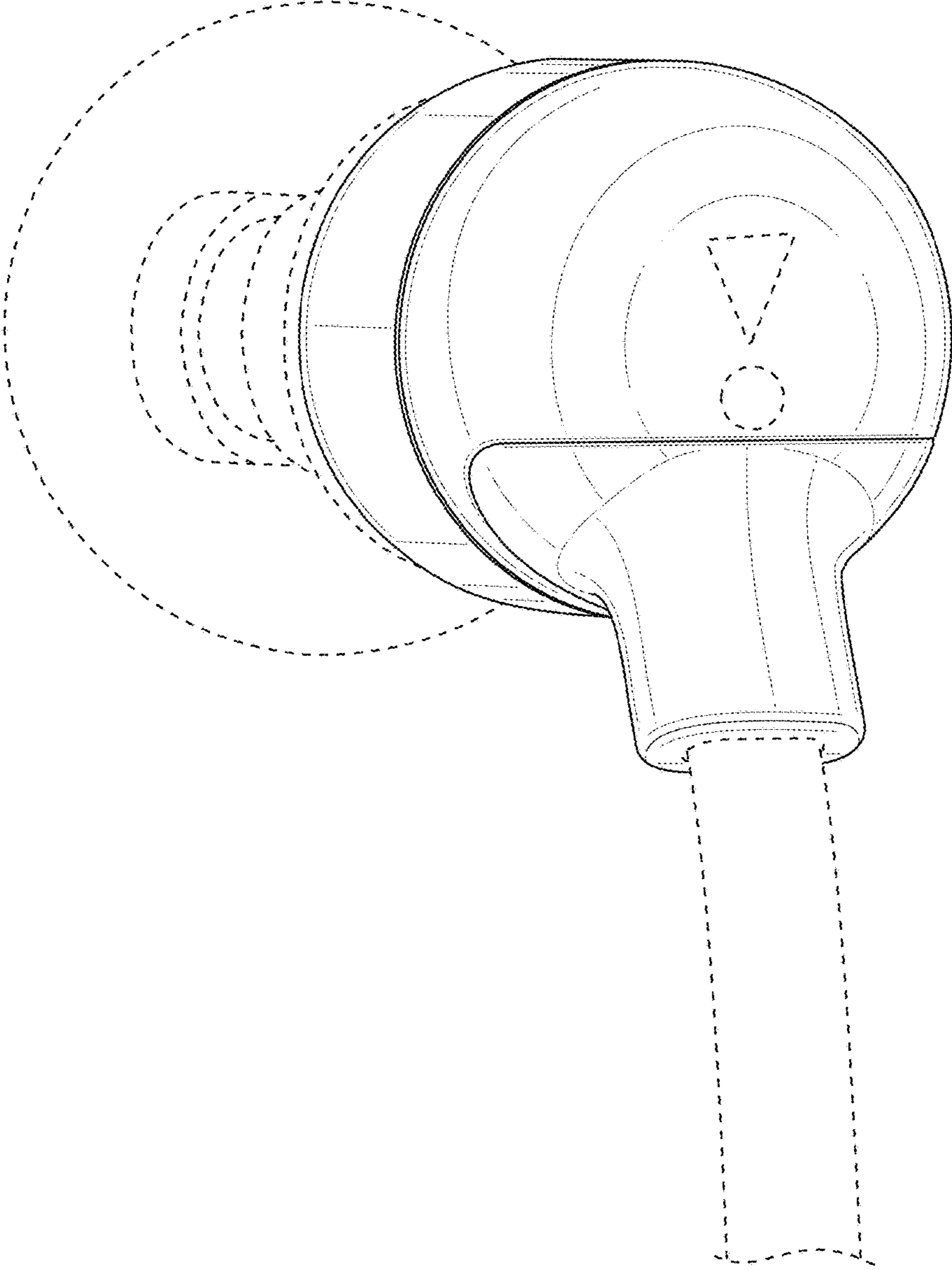


FIG. 1

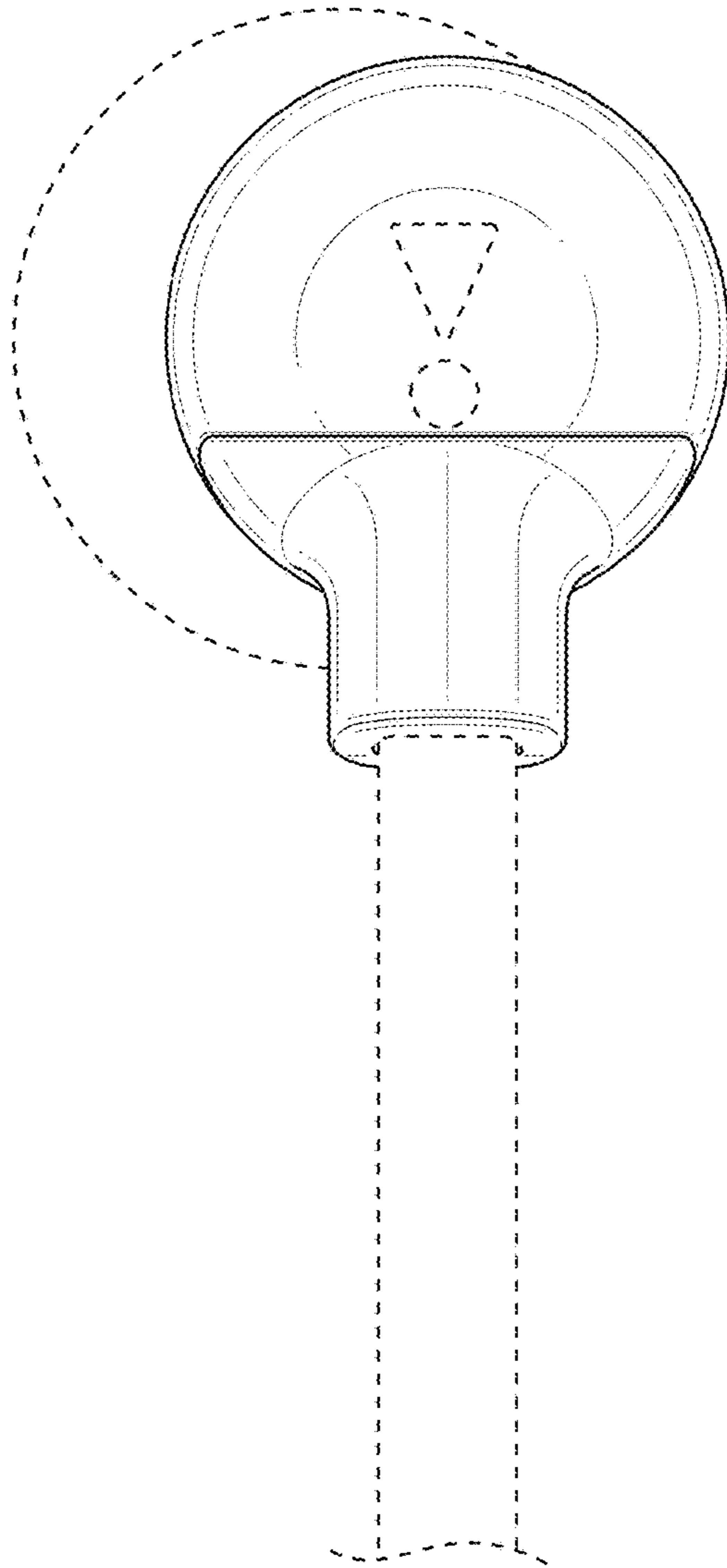


FIG. 2

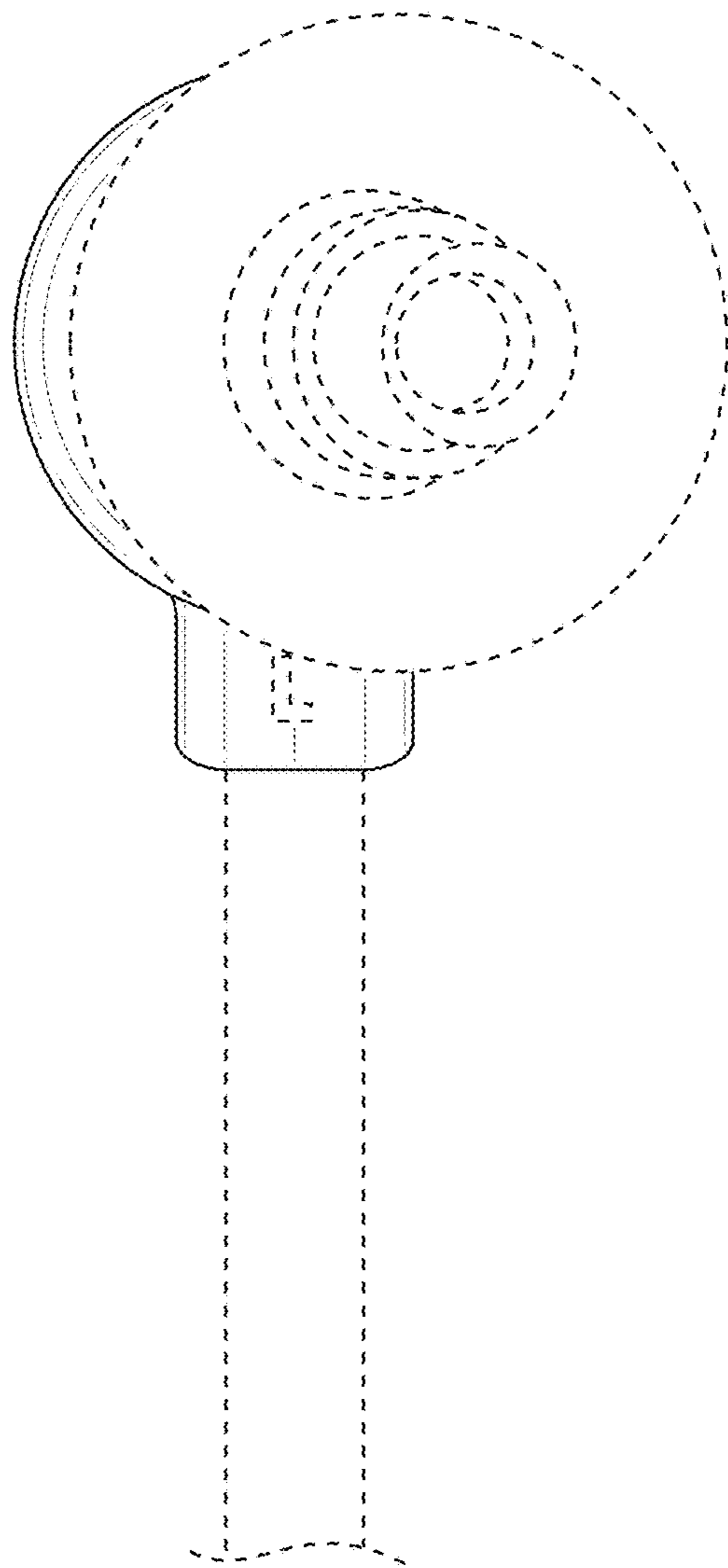


FIG. 3

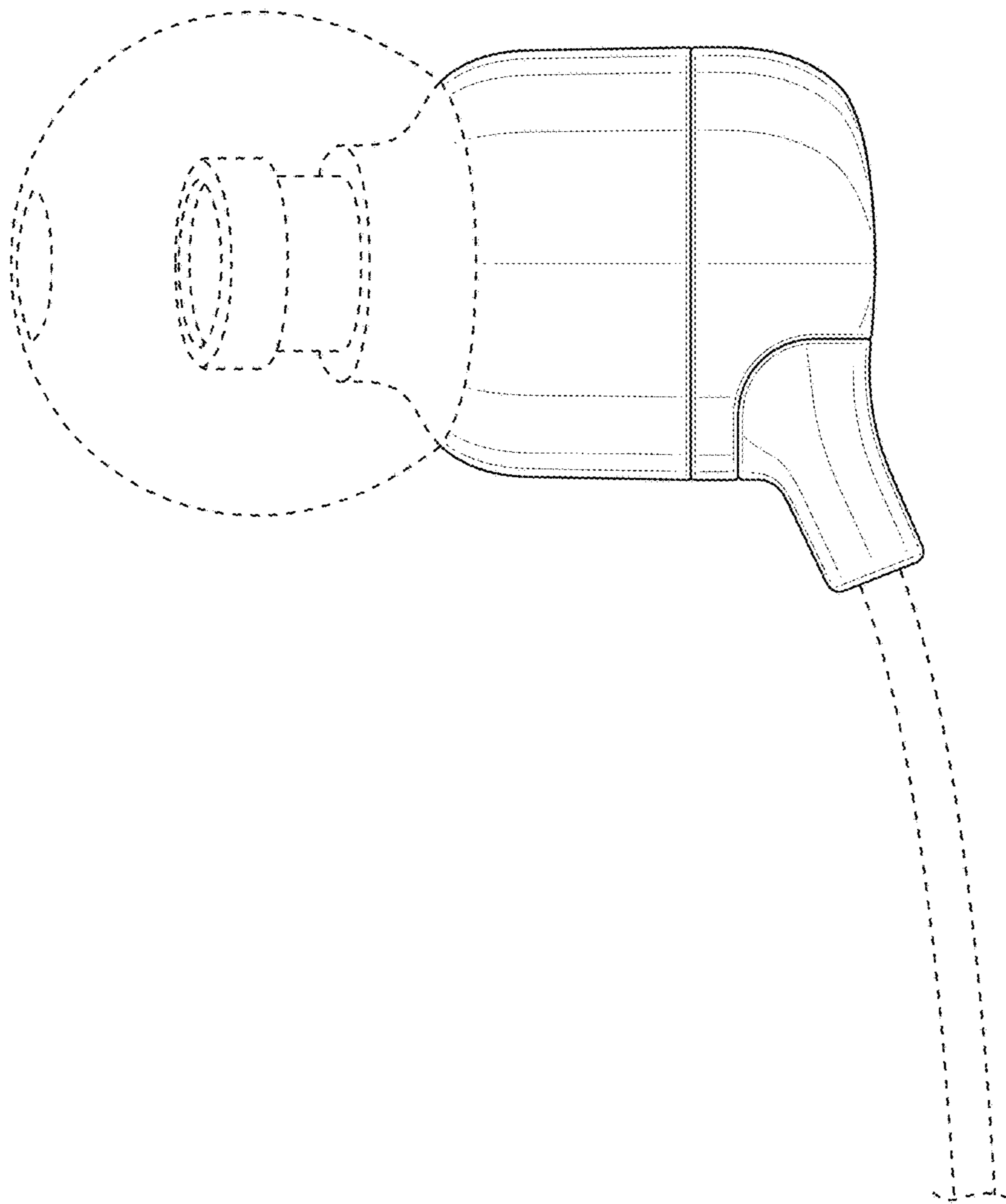


FIG. 4

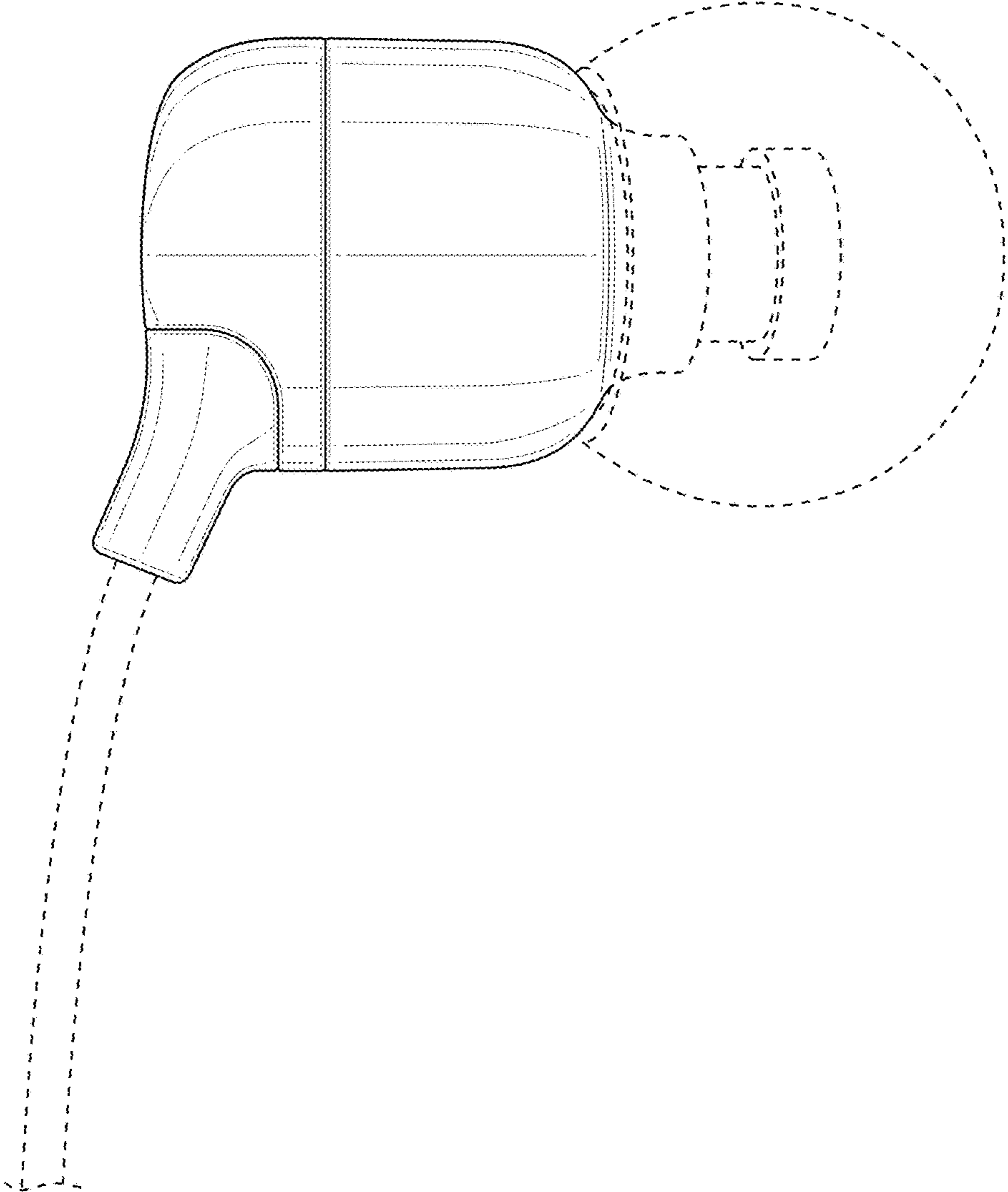


FIG. 5

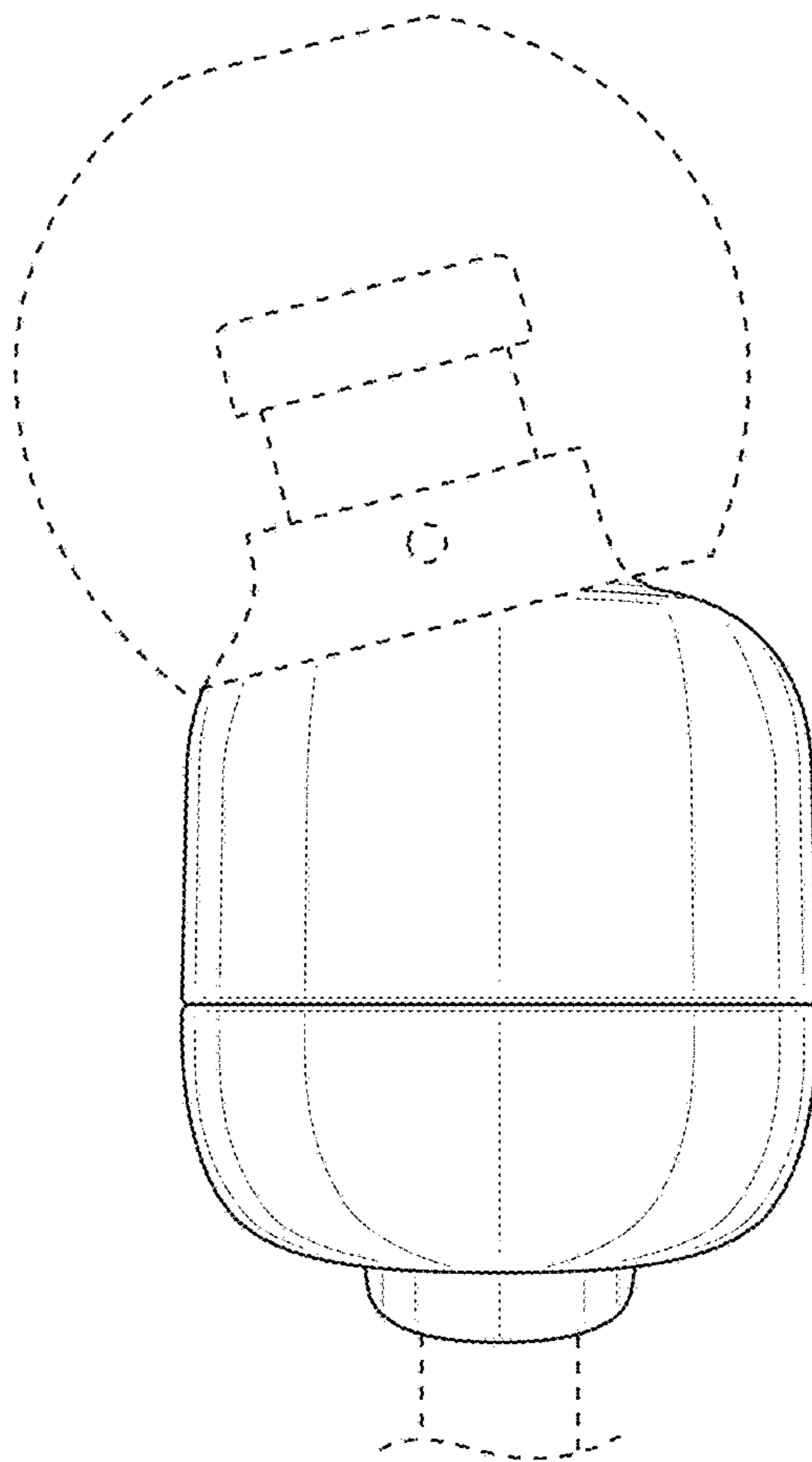


FIG. 6

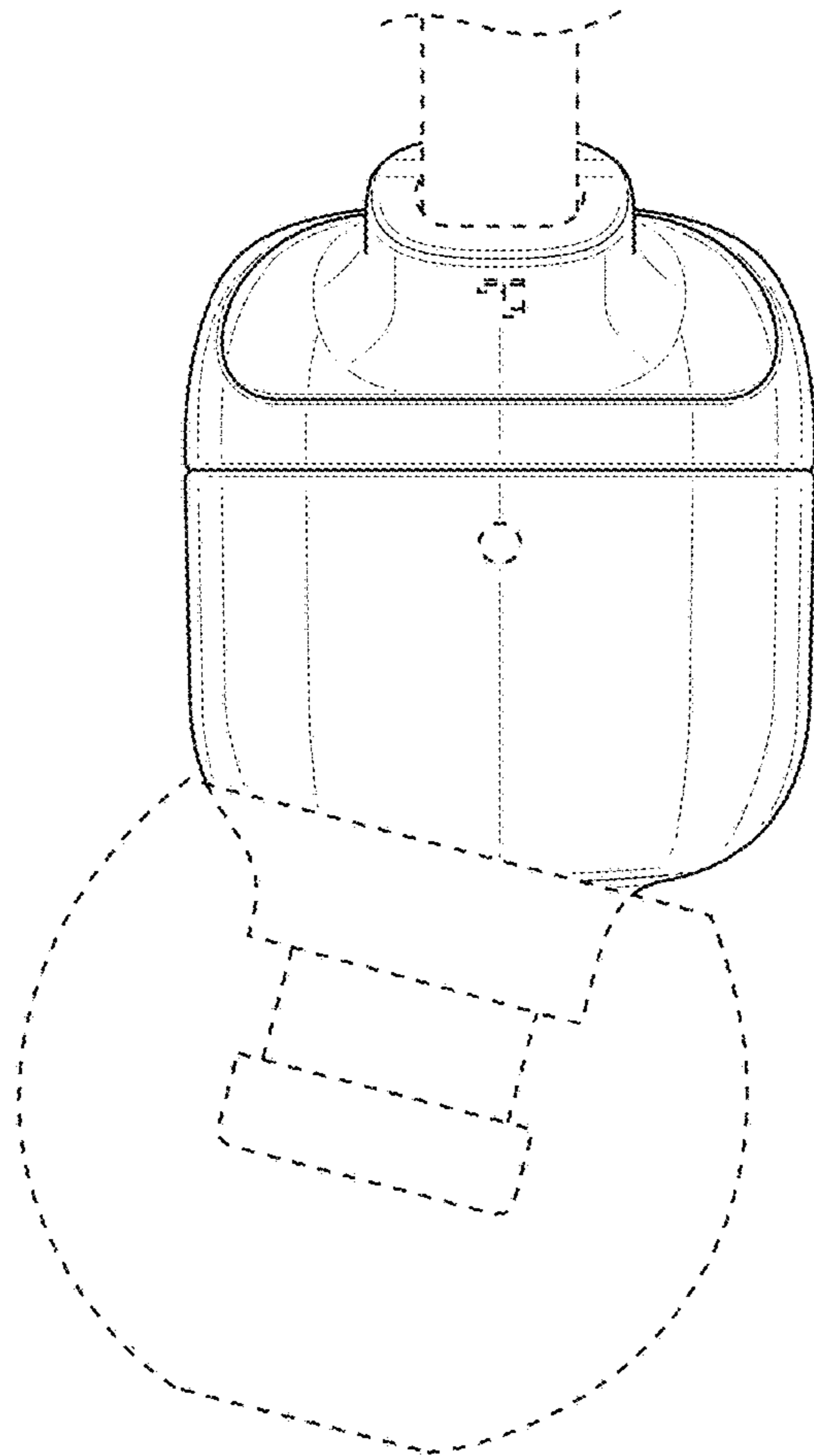


FIG. 7

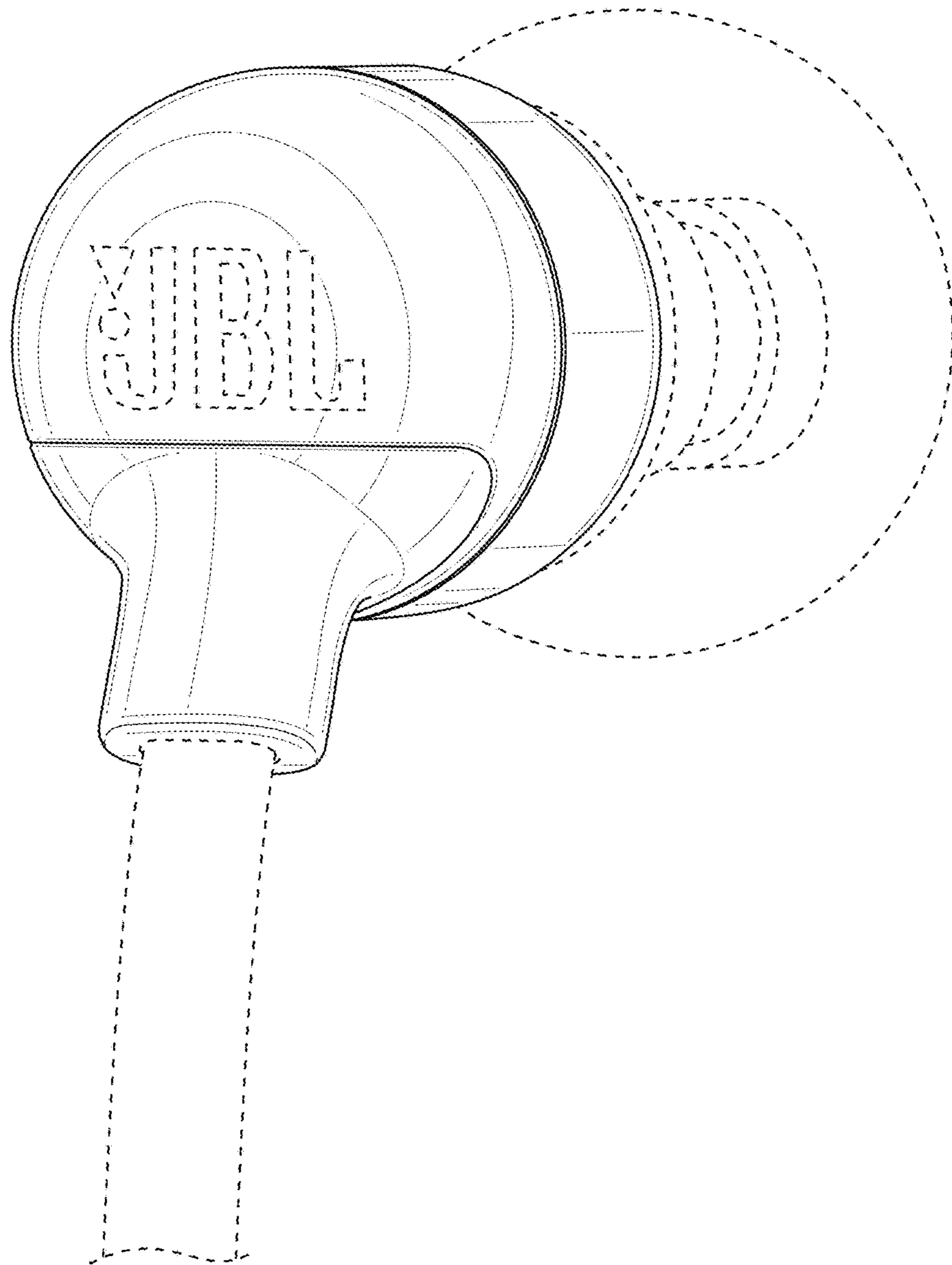


FIG. 8

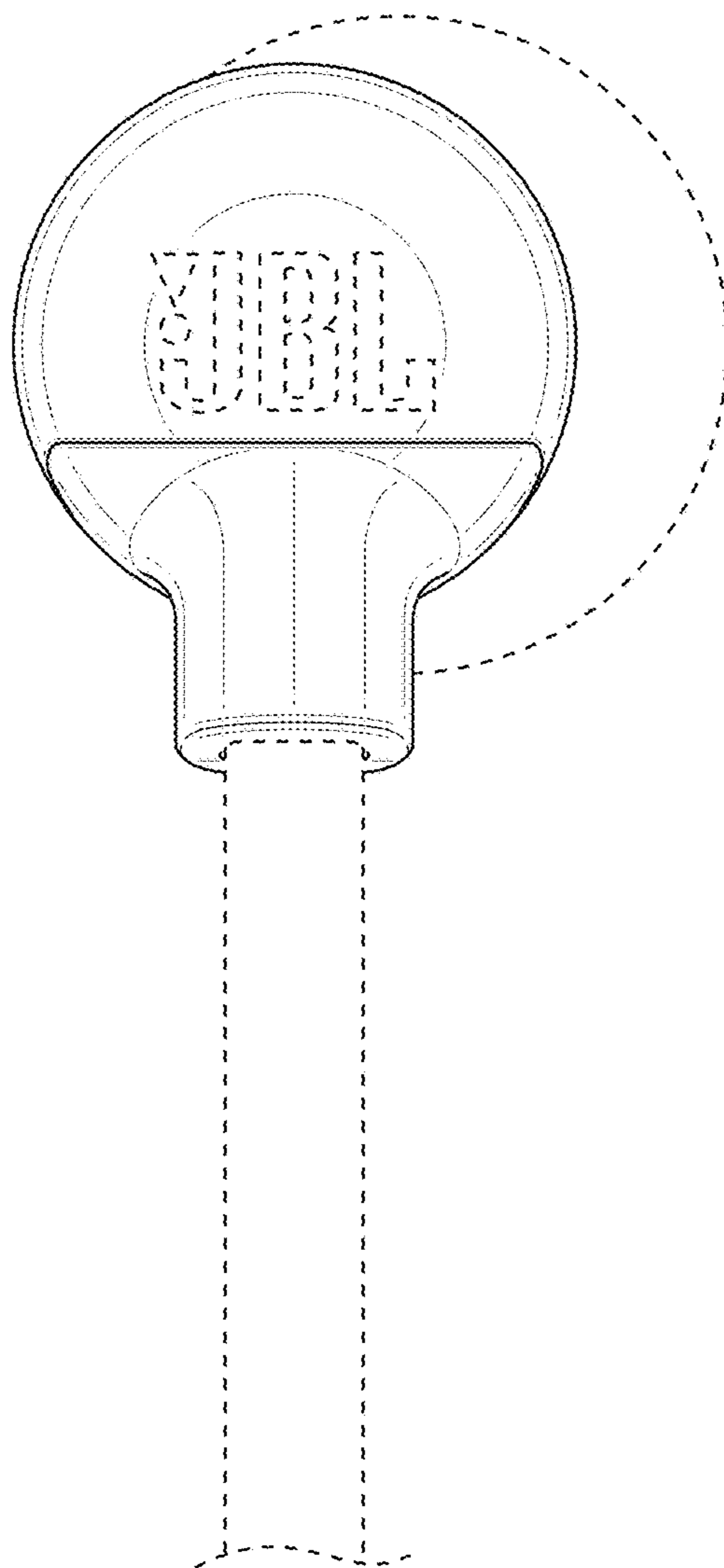


FIG. 9

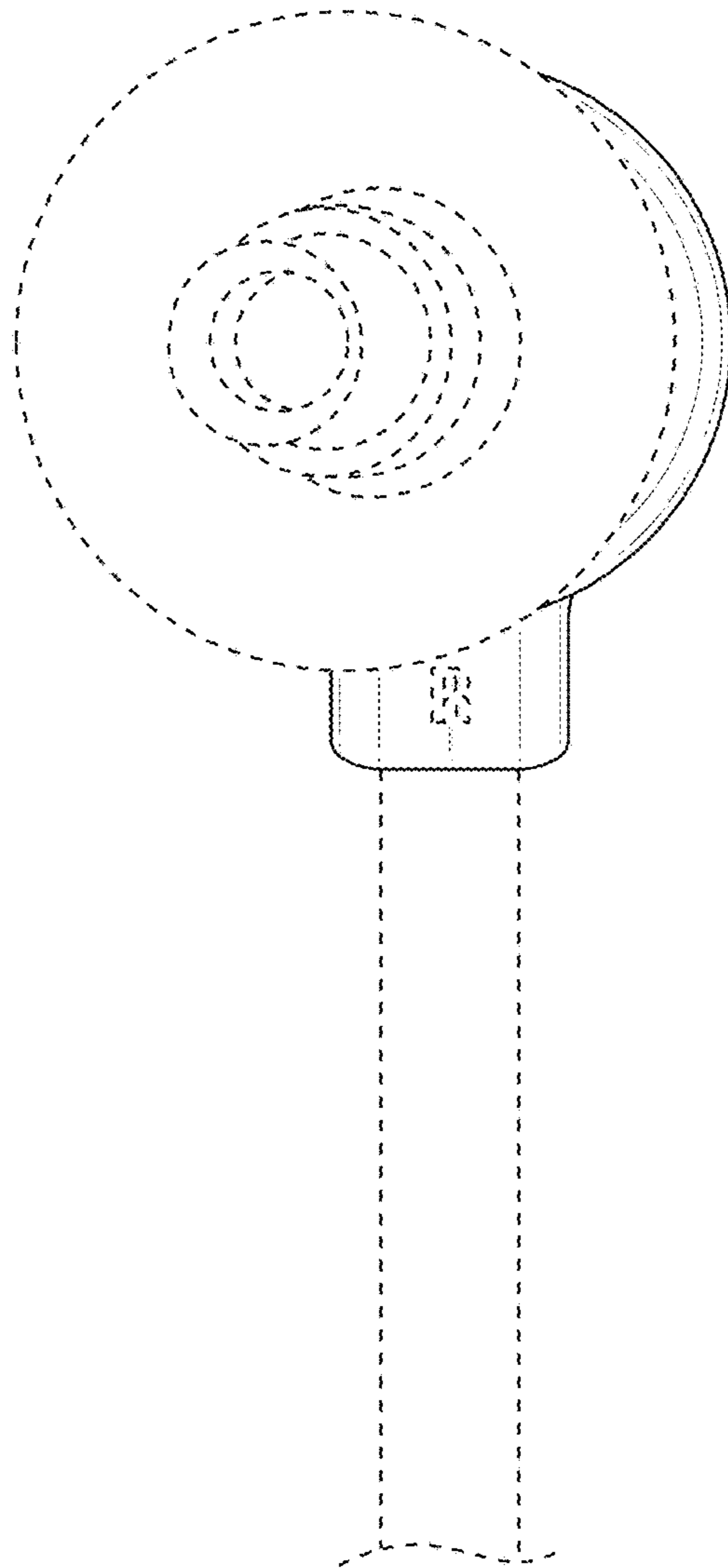


FIG. 10

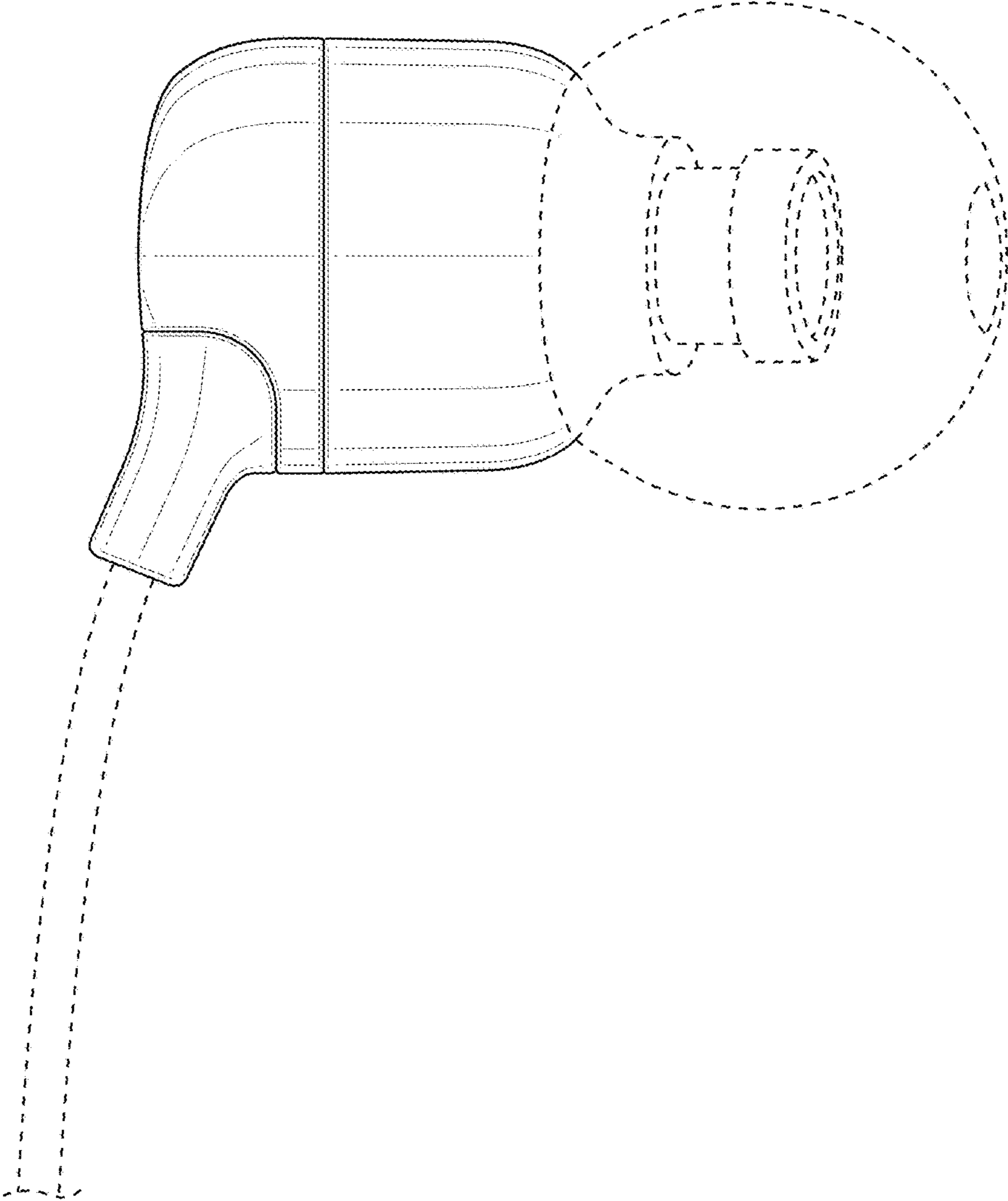


FIG. 11

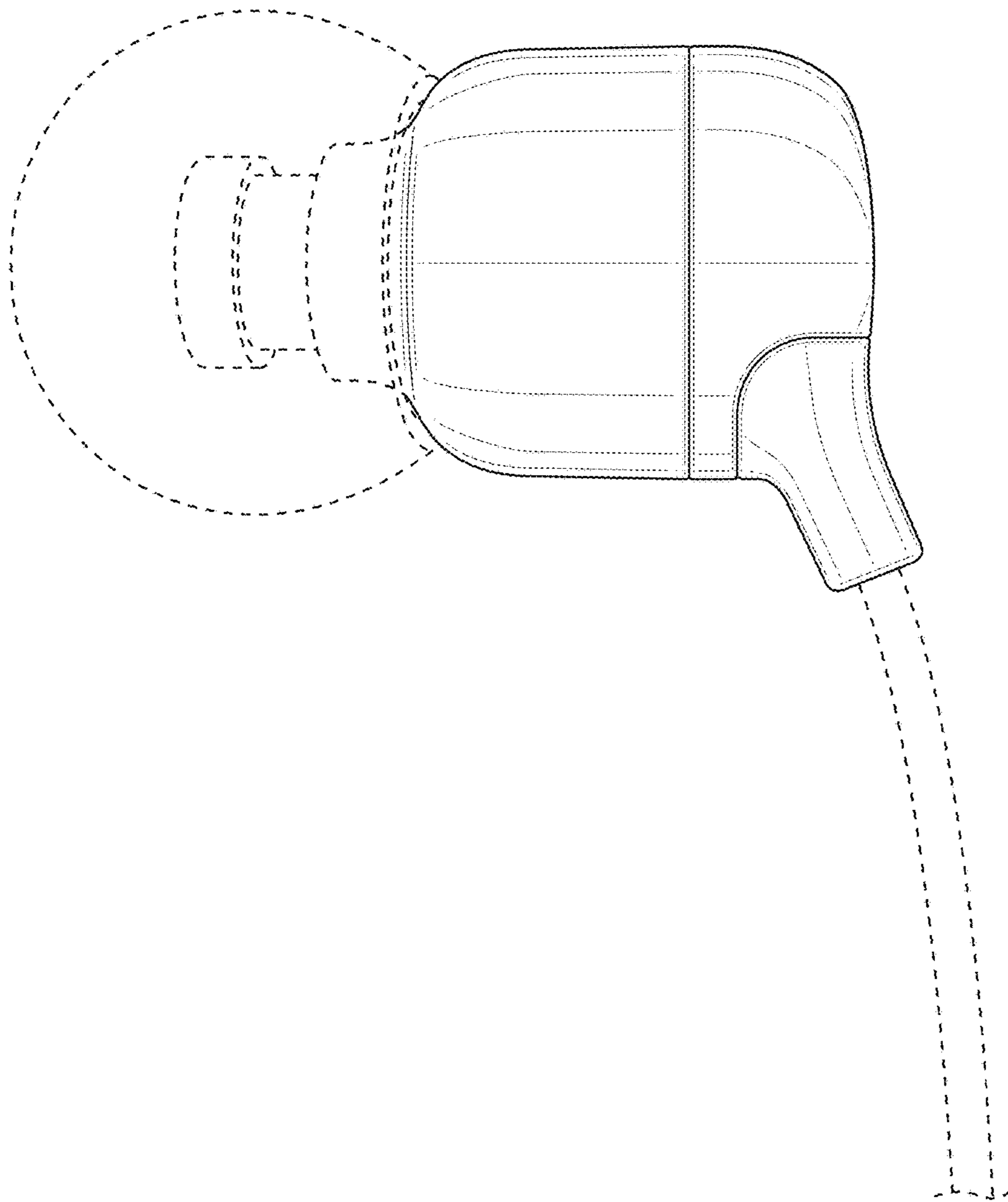


FIG. 12

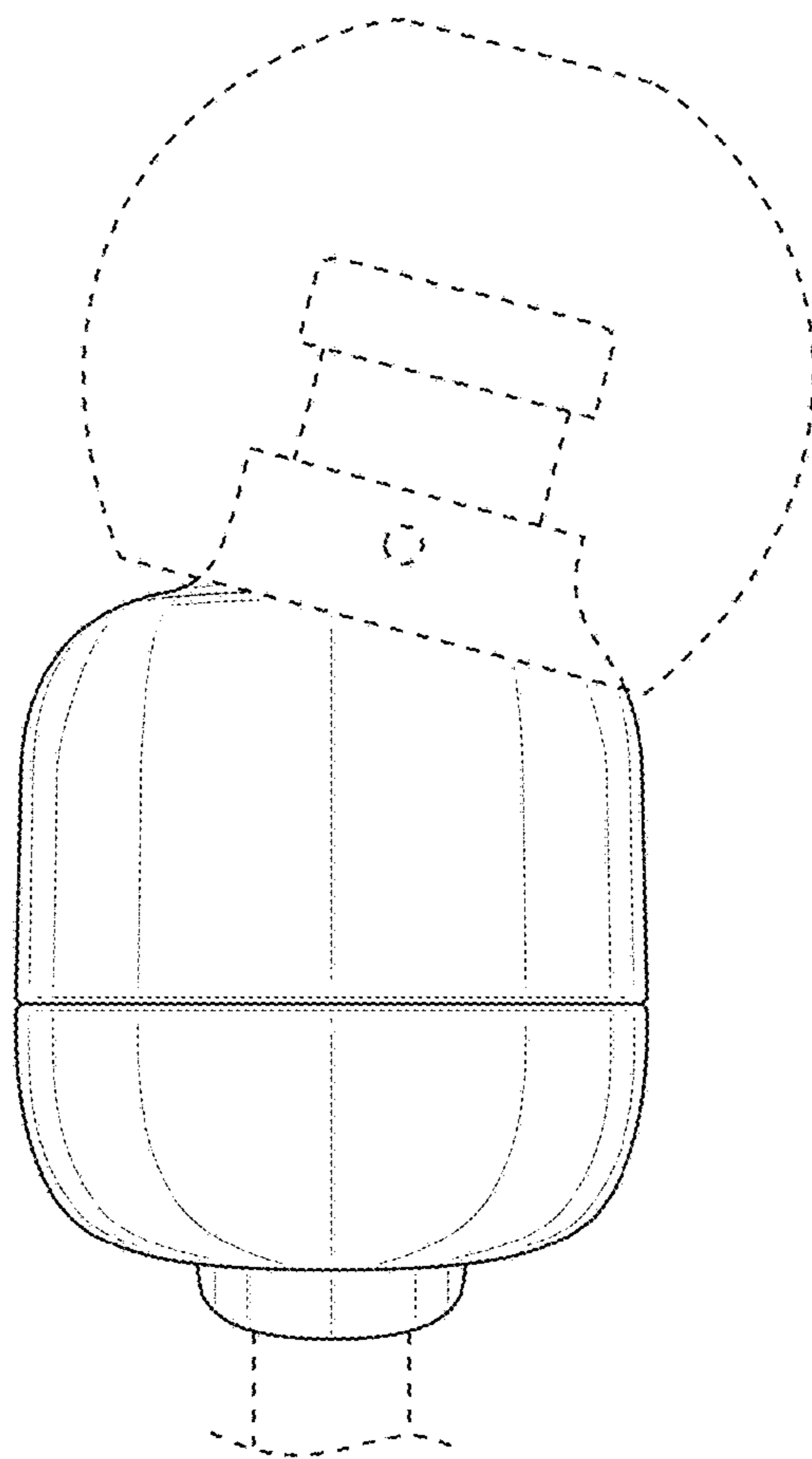


FIG. 13

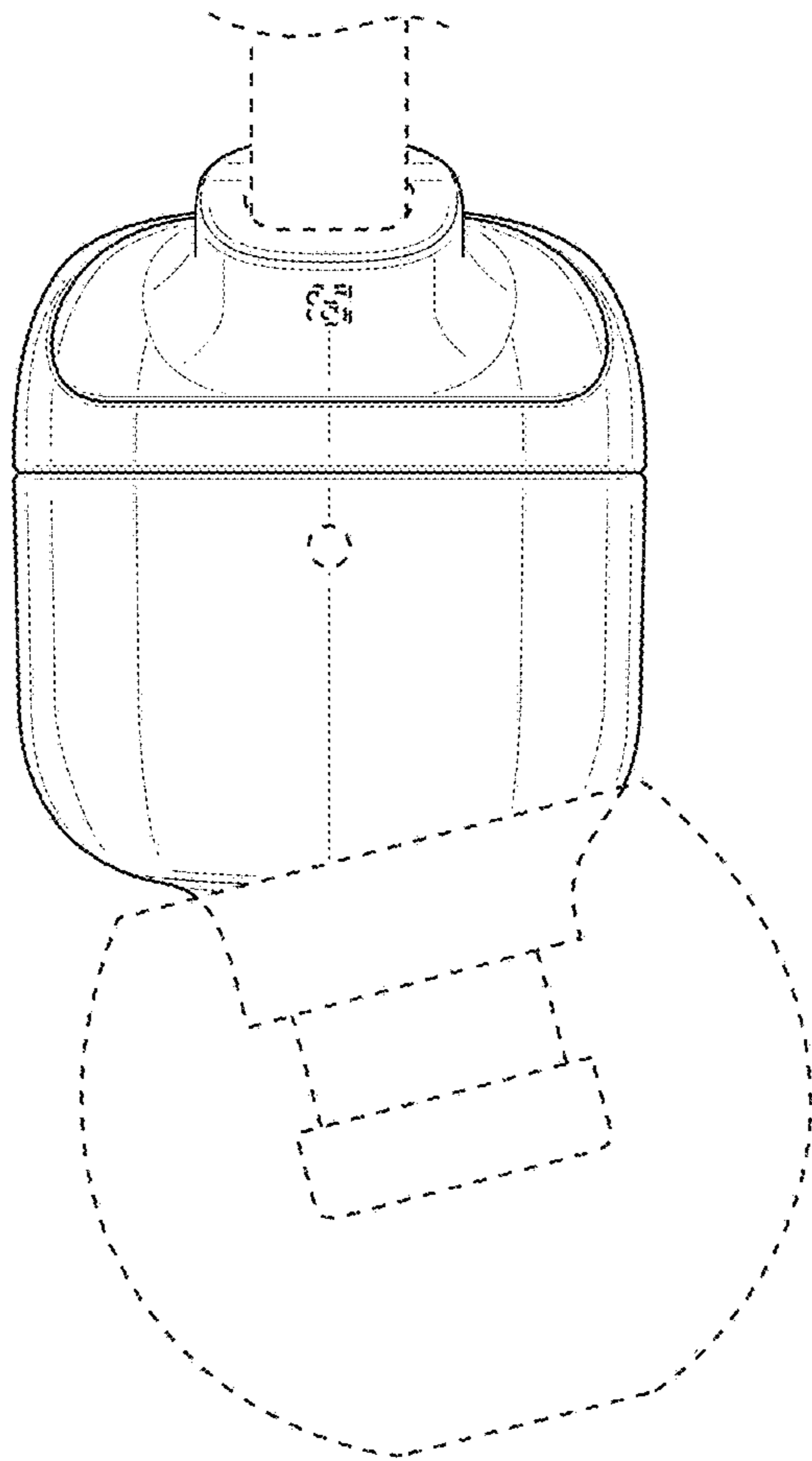


FIG. 14