

US00D862409S

(12) **United States Design Patent** (10) **Patent No.:** **US D862,409 S**
Lee et al. (45) **Date of Patent:** **** Oct. 8, 2019**

(54) **SPEAKER**

(71) Applicant: **LG ELECTRONICS INC.**, Seoul (KR)
(72) Inventors: **Minjae Lee**, Seoul (KR); **Seonkyu Kim**, Seoul (KR); **Jongho Kim**, Seoul (KR)
(73) Assignee: **LG ELECTRONICS INC.**, Seoul (KR)

(**) Term: **15 Years**

(21) Appl. No.: **35/505,435**

(22) Filed: **Feb. 6, 2018**

(80) **Hague Agreement Data**

Int. Filing Date: **Feb. 6, 2018**
Int. Reg. No.: **DM/099744**
Int. Reg. Date: **Feb. 6, 2018**
Int. Reg. Pub. Date: **Aug. 10, 2018**

(30) **Foreign Application Priority Data**

Aug. 7, 2017 (KR) 30-2017-0036457

(51) **LOC (12) Cl.** **14-01**

(52) **U.S. Cl.**
USPC **D14/204**

(58) **Field of Classification Search**

USPC D14/168, 169, 170, 171, 172, 188, 204,
D14/209, 209.1, 210, 212, 214, 215, 221
CPC G06F 1/1688; G10K 9/22; H04N 5/64;
H04R 1/02; H04R 1/021; H04R 1/025;
H04R 1/026; H04R 1/028; H04R 1/403;
H04R 1/2803; H04R 1/2834; H04R 5/02;
H04R 9/06; H04R 19/013; H04R
2201/021; H04R 2400/00; H04R 2499/11;
H05K 5/00; H05K 5/0086

See application file for complete search history.

(56) **References Cited**

U.S. PATENT DOCUMENTS

D451,904 S	*	12/2001	Bauman	D14/188
D582,416 S	*	12/2008	Duarte	D14/434
D692,860 S	*	11/2013	Paterson	D14/214
D692,861 S	*	11/2013	Paterson	D14/214
D763,825 S	*	8/2016	Zamir	D14/215
D807,320 S	*	1/2018	Wong	D14/204
D833,416 S	*	11/2018	Hu	D14/204
D845,925 S	*	4/2019	Bellinghausen	D14/204
D848,971 S	*	5/2019	Wang	D14/204
D848,975 S	*	5/2019	Kong	D14/215

OTHER PUBLICATIONS

www.qvc.com: LG PK3 Portable Bluetooth Speaker. Earliest date Oct. 1, 2018; 4 pages. Found online Jun. 4, 2019 at https://www.qvc.com/qvc.product.E296509.html?colorId=000&sizeId=000&ref=GBA&cm_mmc=GOOGLESHOPPINGFEED-_-GShopping|LlBrandProduct|electronics-_-pla-_-sdrcT17lt|dc_46104296390_pla-555580660304_E296509-000-0.*

* cited by examiner

Primary Examiner — Robert M. Spear
(74) *Attorney, Agent, or Firm* — Birch, Stewart, Kolasch & Birch, LLP

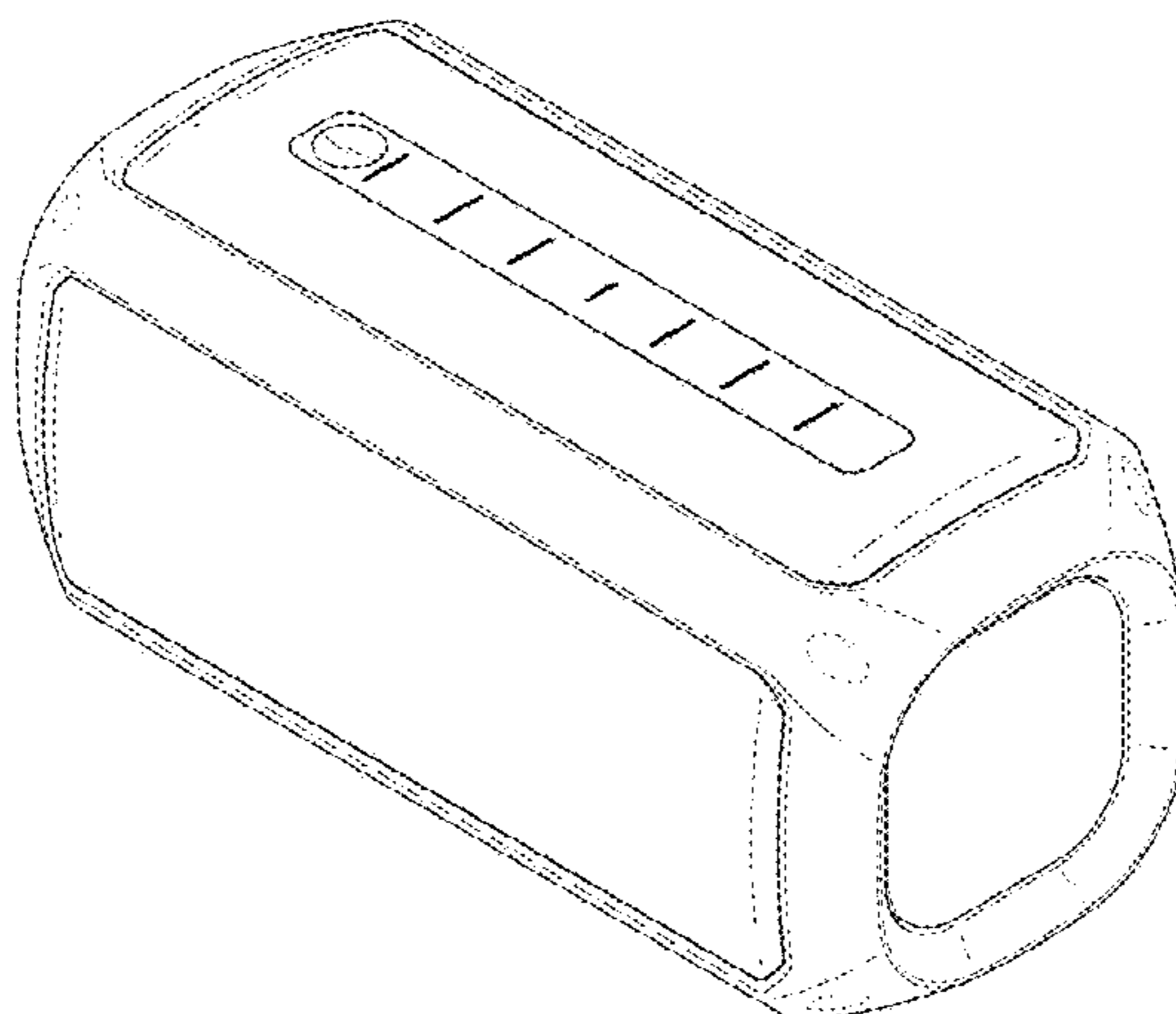
(57) **CLAIM**

The ornamental design for a speaker, as shown and described.

DESCRIPTION

- 1. Speaker
- 1.1 : Perspective
- 1.2 : Front
- 1.3 : Back
- 1.4 : Left
- 1.5 : Right
- 1.6 : Top
- 1.7 : Bottom

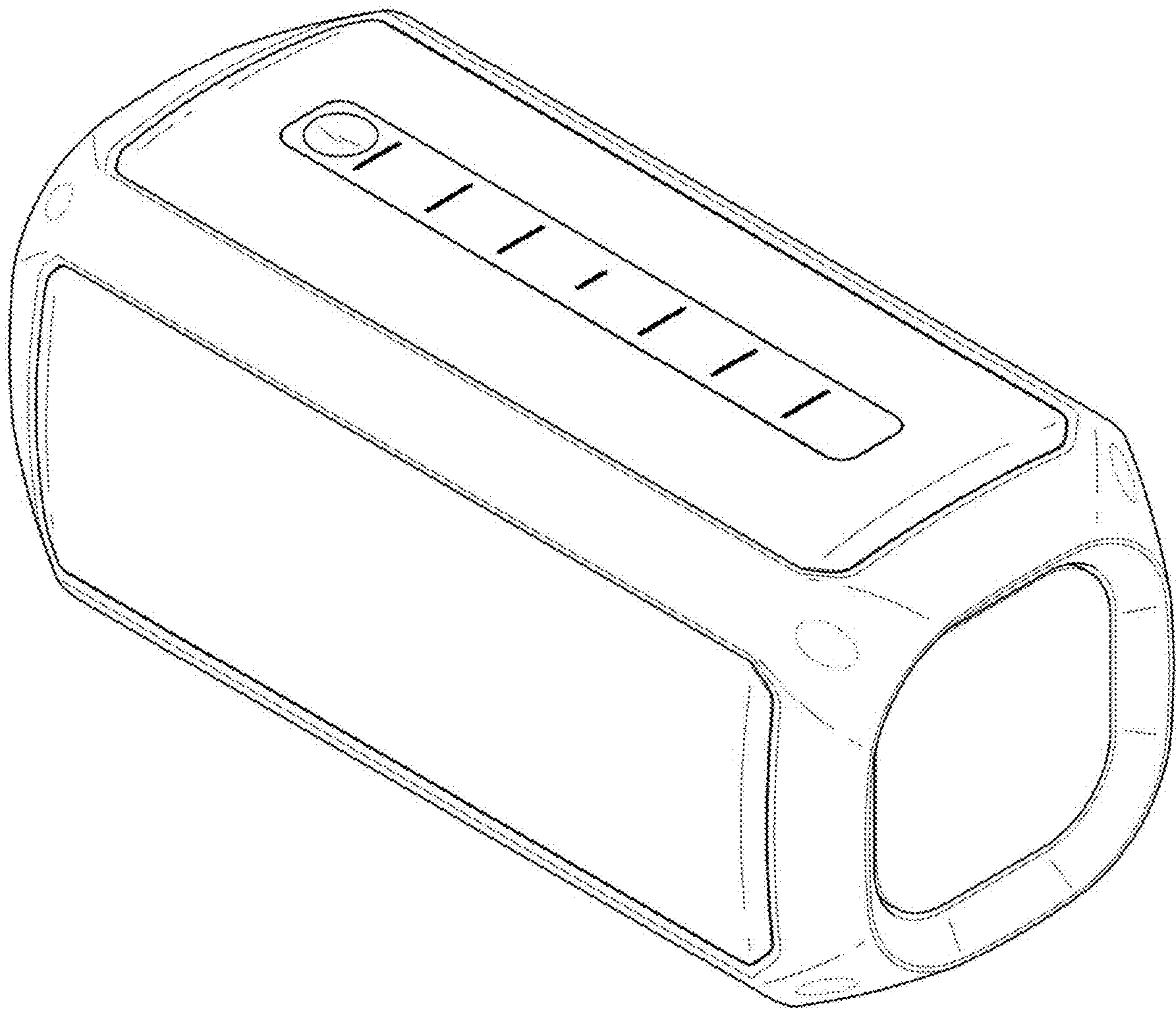
(Continued)



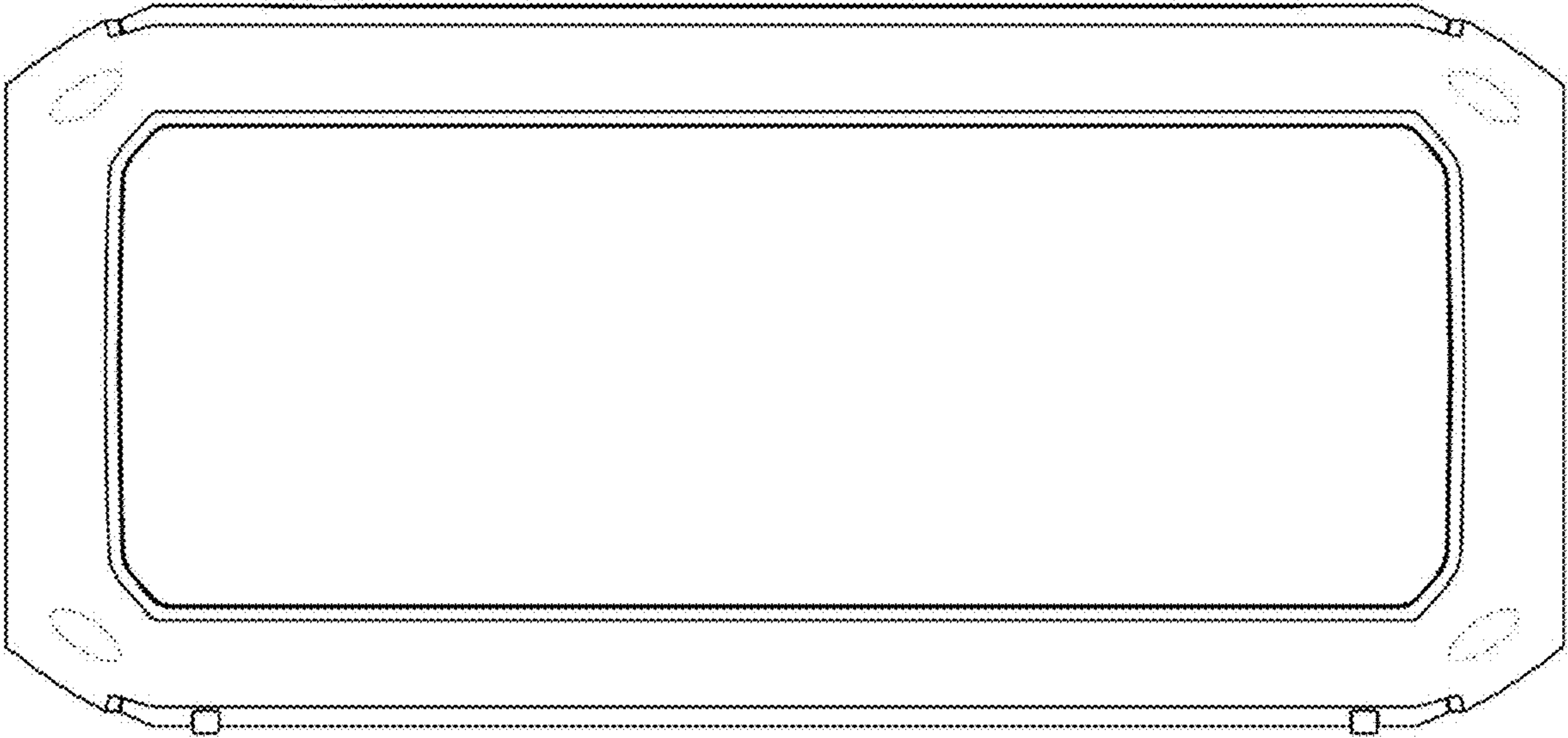
The broken lines indicate unclaimed portions of the article that form no part of the claimed design.

1 Claim, 7 Drawing Sheets

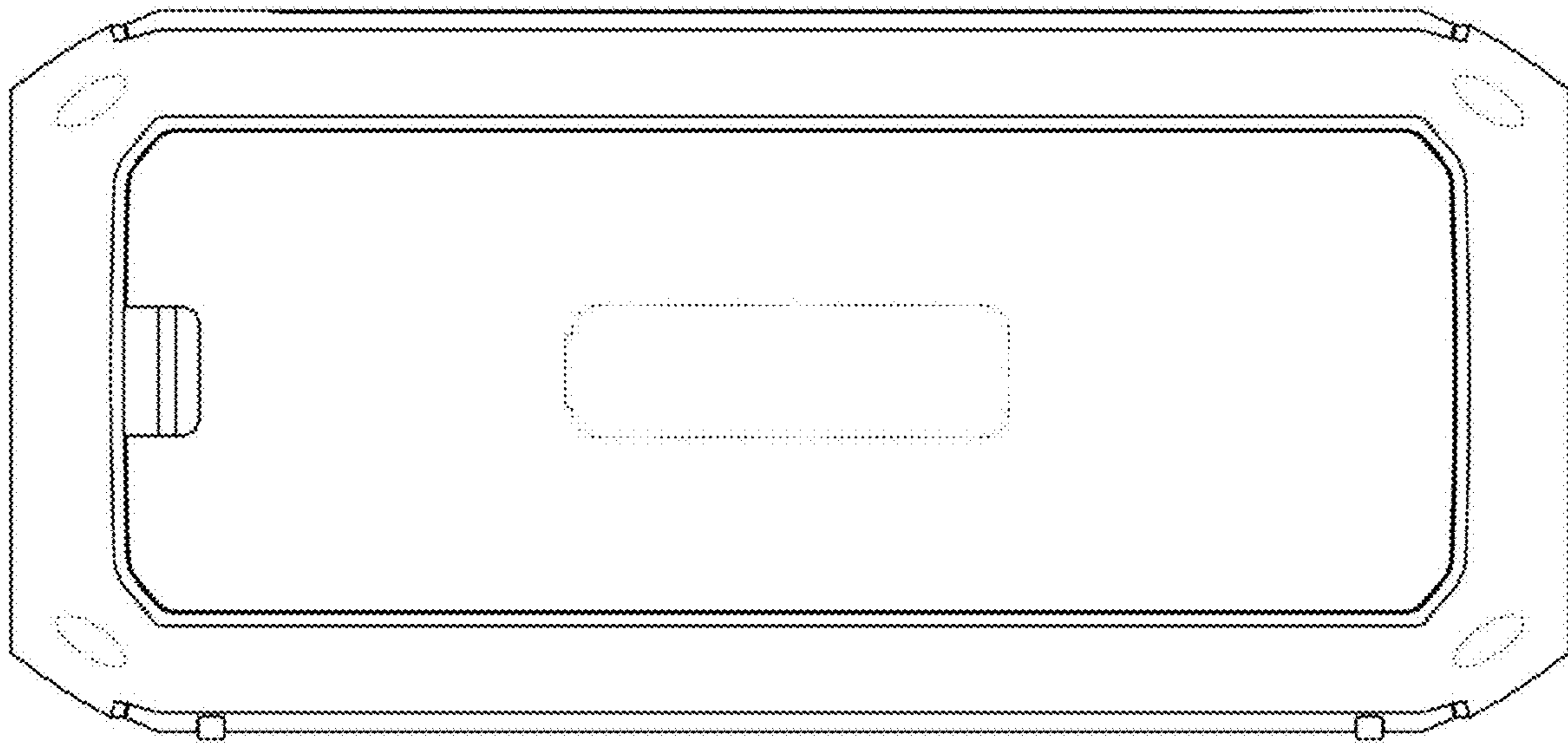
1.1



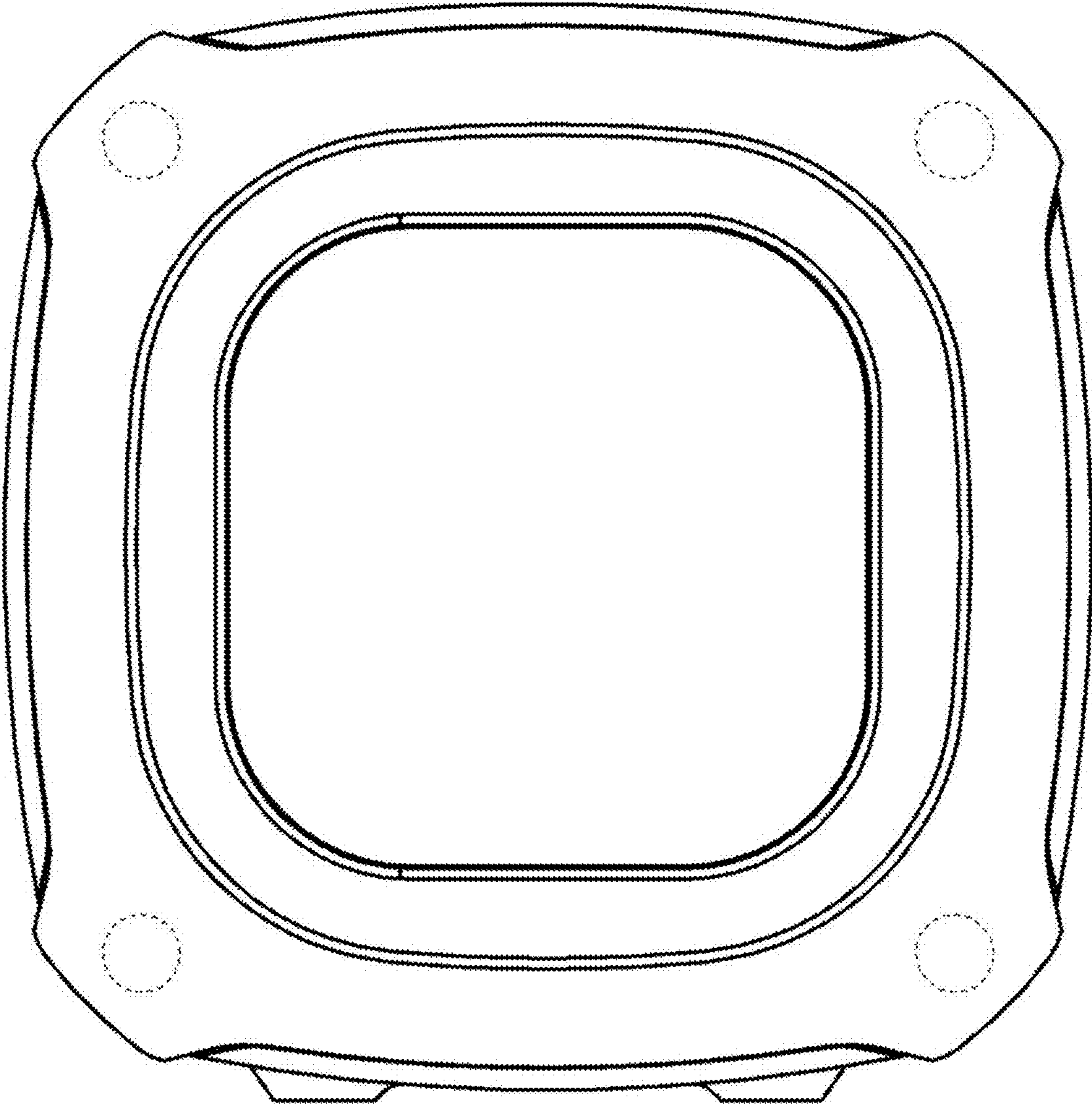
1.2



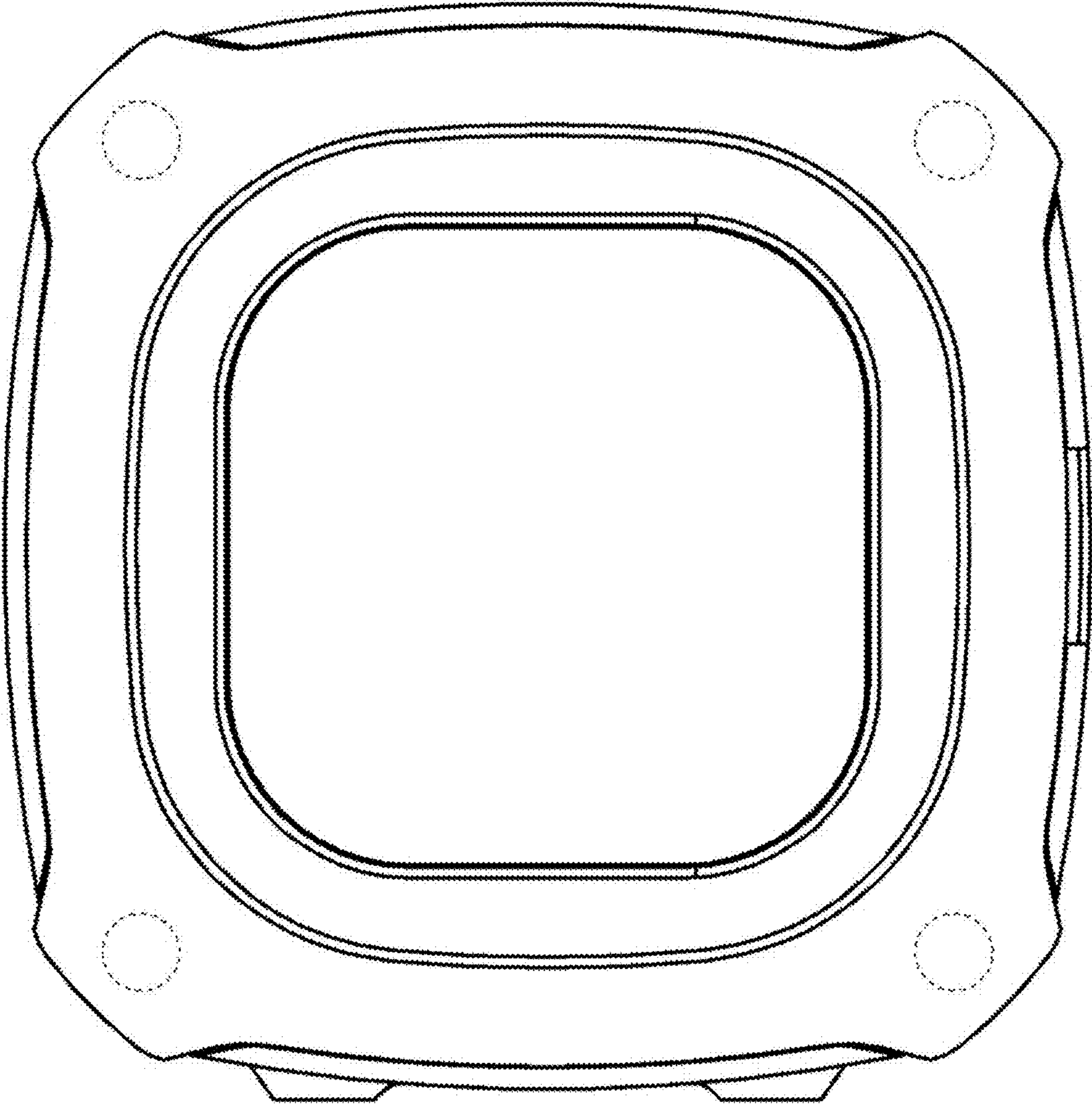
1.3



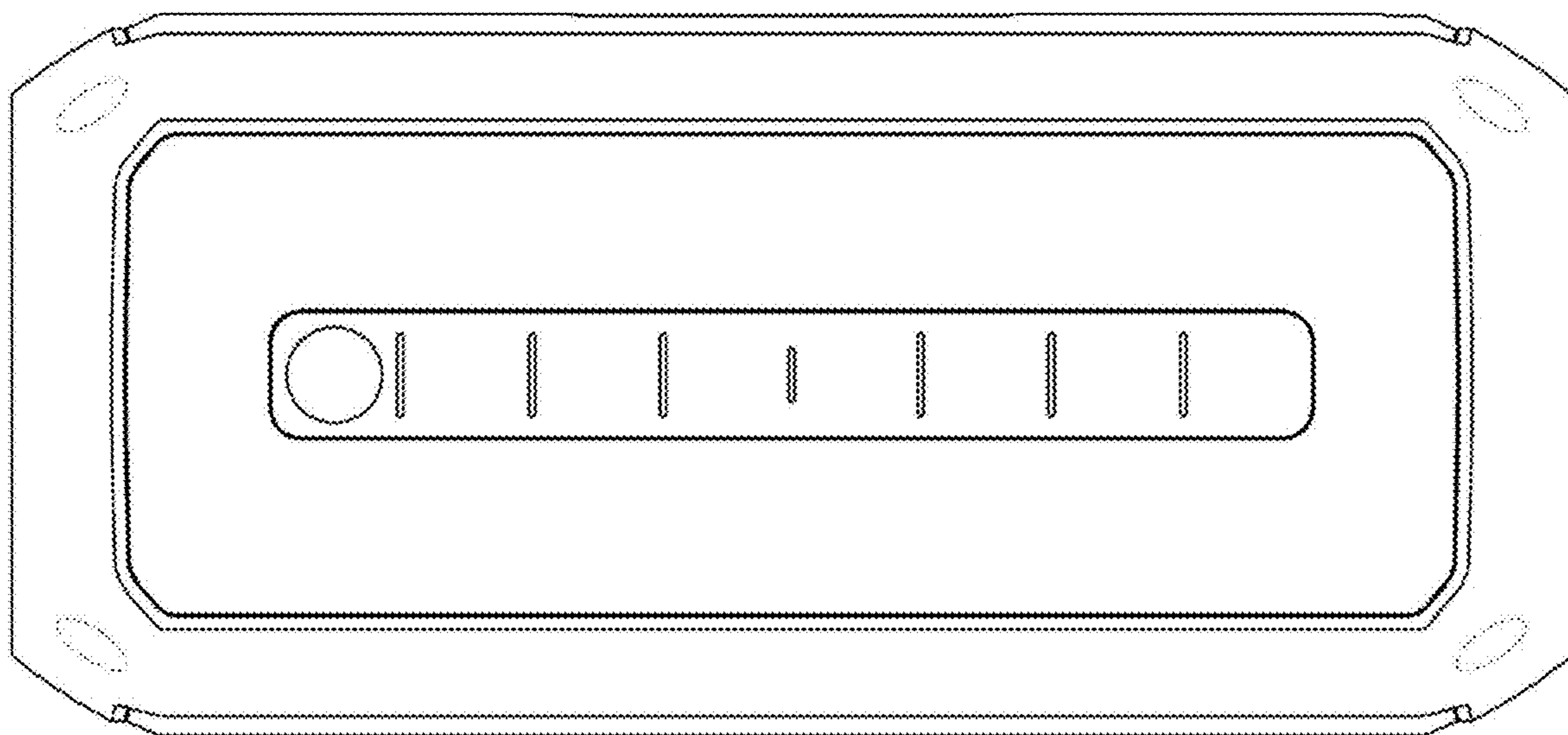
1.4



1.5



1.6



1.7

