



US00D862408S

(12) **United States Design Patent**
Deng

(10) **Patent No.:** **US D862,408 S**

(45) **Date of Patent:** **** Oct. 8, 2019**

(54) **WIRELESS DONGLE**

(71) Applicant: **Maoquan Deng**, Covina, CA (US)

(72) Inventor: **Maoquan Deng**, Covina, CA (US)

(**) Term: **15 Years**

(21) Appl. No.: **29/611,348**

(22) Filed: **Jul. 20, 2017**

(51) **LOC (12) Cl.** **14-03**

(52) **U.S. Cl.**

USPC **D14/188**; D14/358

(58) **Field of Classification Search**

USPC D14/358, 348, 356, 357, 431, 433, 435,
D14/435.1, 496, 507, 125, 140, 140.1,
D14/142, 155, 167, 168, 172, 188, 195,
D14/203.1, 191, 192, 203.3, 203.6, 217,
D14/230, 240, 242, 299, 137, 223;
D13/103, 107, 108, 123, 152, 158, 162,
D13/162.1, 163, 165, 168, 184, 199;
D10/46, 47, 103

CPC ... H04W 88/08; H04W 88/085; H04W 88/00;
H04W 88/005; H04W 88/02; H04W
88/12; H04W 88/14; H04W 88/16; H04W
88/18; H04W 4/00; H01Q 1/241; H01Q
1/246; H04B 1/03; H04B 1/08; H04B
1/38

See application file for complete search history.

(56) **References Cited**

U.S. PATENT DOCUMENTS

D236,913 S *	9/1975	Makino	D14/192
D258,881 S *	4/1981	Ota	D14/248
D264,080 S *	4/1982	Iwata	D14/191
D266,562 S *	10/1982	Hattori	D14/192
D284,765 S *	7/1986	Lam	D14/192
D297,640 S *	9/1988	Hampf	D14/191
D299,138 S *	12/1988	Hampf	D14/191
D316,550 S *	4/1991	Sogabe	D14/168

(Continued)

OTHER PUBLICATIONS

Quest-wire-free-wtx-wireless-headphones-new-2018-02. md-hunter.com. (online image) 1 pg. uploaded Oct. 2017 . [Retrieved on May 15, 2019] <https://md-hunter.com/wp-content/uploads/2017/10/quest-wire-free-wtx-wireless-headphones-new-2018-02-645x400.jpg>.*

(Continued)

Primary Examiner — Marie D. Fast Horse

(74) *Attorney, Agent, or Firm* — Fish & Richardson P.C.

(57) **CLAIM**

The ornamental design for a wireless dongle, substantially as shown and described.

DESCRIPTION

FIG. 1 is a perspective view of an ornamental design for a wireless dongle, showing portions of front, bottom, and right sides of the wireless dongle.

FIG. 2 is a perspective view of the design for the wireless dongle, showing portions of back, top, and right sides of the wireless dongle.

FIG. 3 is a perspective view of the design for the wireless dongle, showing portions of front, top, and right sides of the wireless dongle.

FIG. 4 is a perspective view of the design for the wireless dongle, showing portions of front, top, and left sides of the wireless dongle.

FIG. 5 is a front view of the design for the wireless dongle.

FIG. 6 is a back view of the design for the wireless dongle.

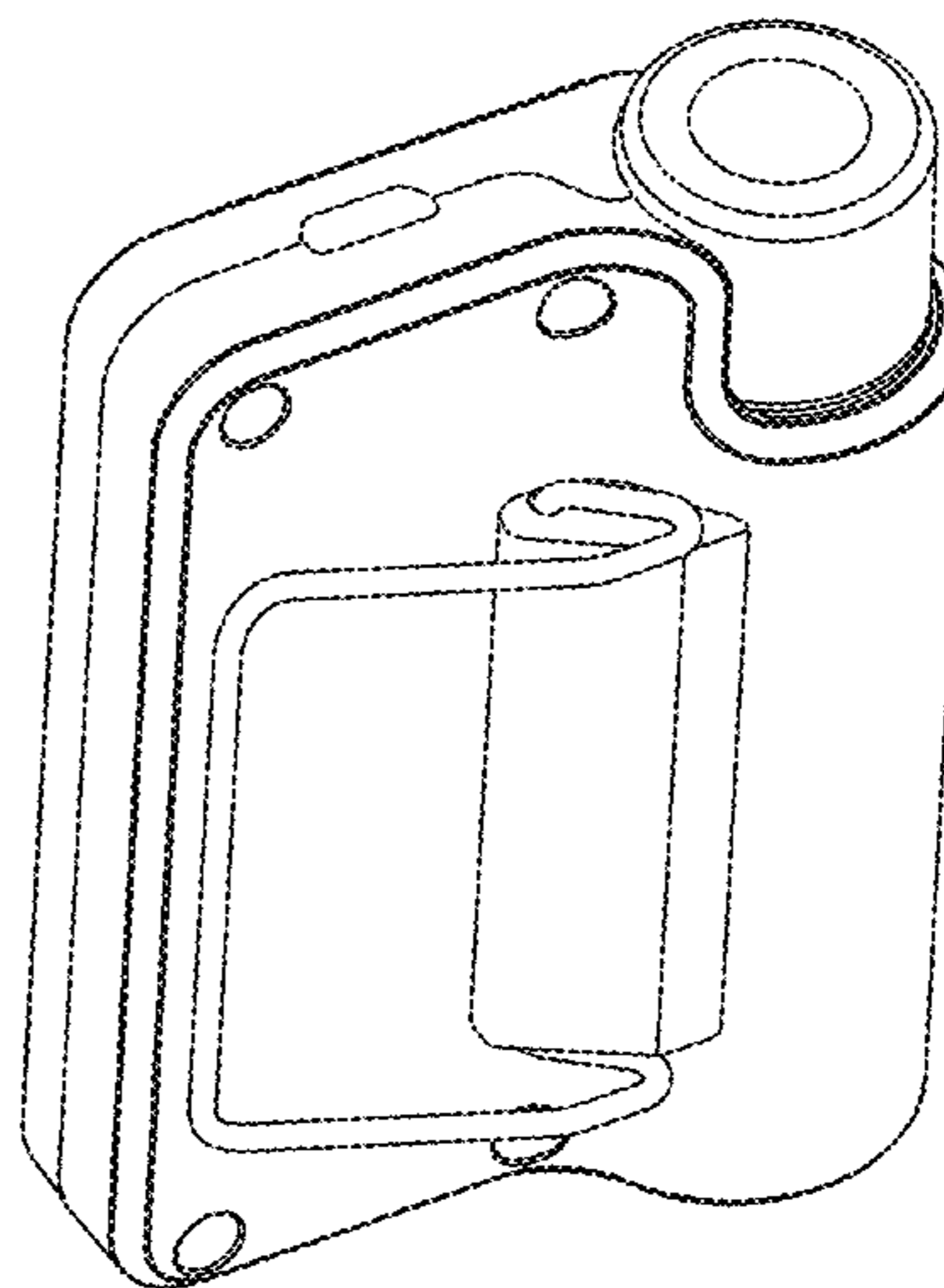
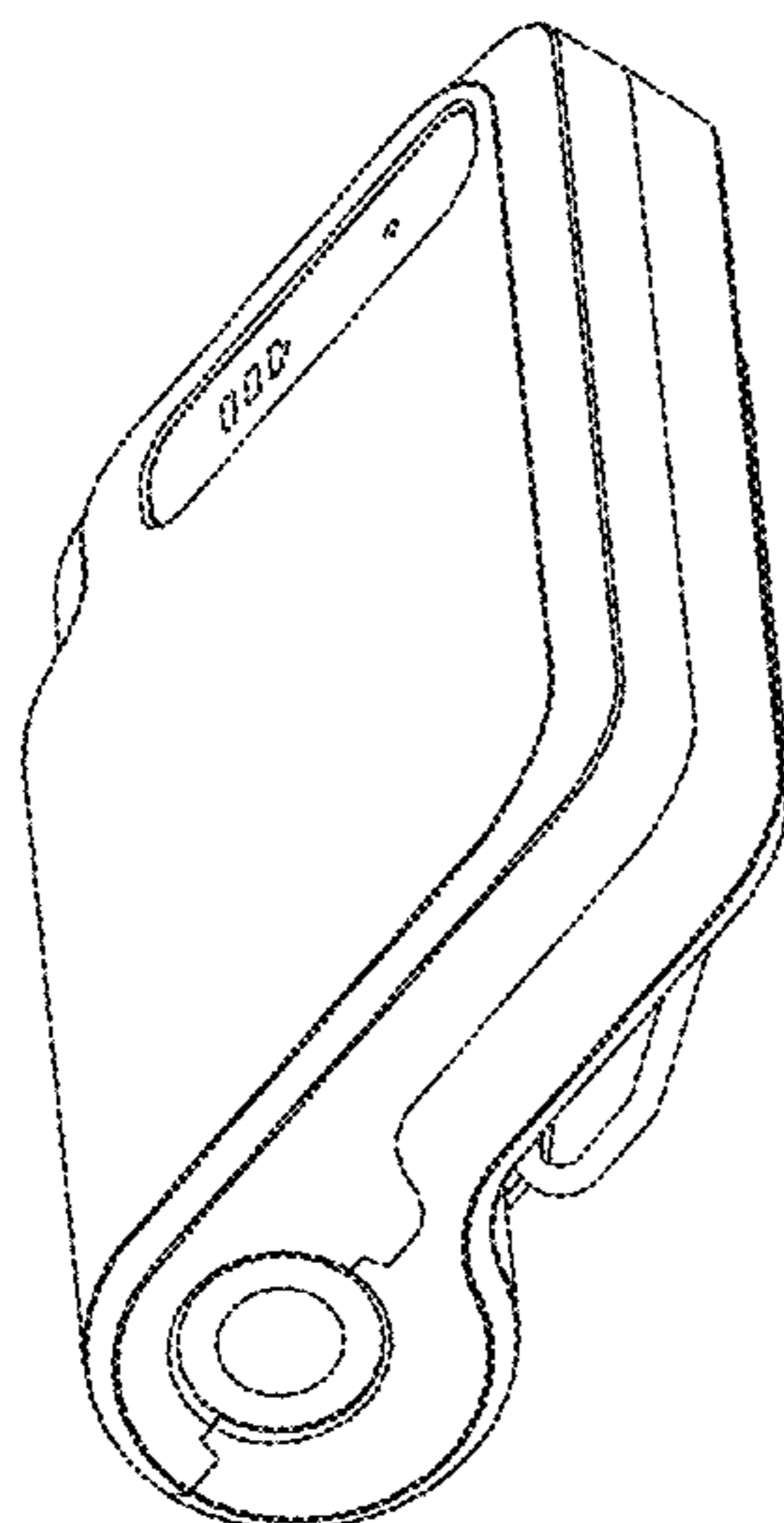
FIG. 7 is a right side view of the design for the wireless dongle.

FIG. 8 is a left side view of the design for the wireless dongle.

FIG. 9 is a top view of the design for the wireless dongle; and,

FIG. 10 is a bottom view of the design for the wireless dongle.

1 Claim, 8 Drawing Sheets



(56)

References Cited

U.S. PATENT DOCUMENTS

D321,880 S * 11/1991 Emmerling D14/188
 D337,768 S * 7/1993 Scheid D14/191
 D344,728 S * 3/1994 Nishimoto D14/191
 D348,462 S * 7/1994 Campbell D14/191
 D352,037 S * 11/1994 Maeyama D14/192
 D369,166 S * 4/1996 Jones D14/191
 D376,361 S * 12/1996 Lee D14/192
 D390,830 S * 2/1998 Issa D10/104.1
 D391,953 S * 3/1998 Copeland D14/137
 D392,944 S * 3/1998 Issa D10/104.1
 D434,406 S * 11/2000 Towle D14/155
 D442,938 S * 5/2001 Hough D14/188
 D463,393 S * 9/2002 Kataoka D14/167
 D492,665 S * 7/2004 Lee D14/218
 D496,346 S * 9/2004 Fuss D14/188
 D516,578 S * 3/2006 Matsuoka D14/160
 D518,472 S * 4/2006 Byun D14/191
 D519,523 S * 4/2006 Chiu D14/203.7
 D523,414 S * 6/2006 Kobayashi D14/188
 D531,619 S * 11/2006 Chau D14/217
 D531,991 S * 11/2006 Chau D14/217
 D532,406 S * 11/2006 Lee D14/188
 D534,153 S * 12/2006 Naruki D14/203.7
 D538,783 S * 3/2007 Lee D14/188
 D540,774 S * 4/2007 Alwicker D14/155
 D541,791 S * 5/2007 Shen D14/240
 D543,537 S * 5/2007 Chau D14/218
 D549,686 S * 8/2007 Leung D14/168
 D549,697 S * 8/2007 Jeon D14/240
 D549,698 S * 8/2007 Jeon D14/240
 D550,708 S * 9/2007 Kim D14/496
 D551,254 S * 9/2007 Shin D14/496
 D552,610 S * 10/2007 Newby D14/433
 D559,234 S * 1/2008 Girard D14/240
 D564,520 S * 3/2008 Baseflug D14/433
 D565,023 S * 3/2008 Yamagishi D14/205
 D567,216 S * 4/2008 Densho D14/205
 D587,708 S * 3/2009 Yoshida D14/358
 D600,237 S * 9/2009 Kwon D14/137
 D607,898 S * 1/2010 Lee D14/203.3

D608,767 S * 1/2010 Liner D14/205
 D613,273 S * 4/2010 Liner D14/223
 D616,464 S * 5/2010 Park D14/203.1
 D627,330 S * 11/2010 Otsuka D14/192
 D640,243 S * 6/2011 Murakami D14/240
 D648,314 S * 11/2011 Pai D14/203.3
 D656,478 S * 3/2012 Barley D14/159
 D662,921 S * 7/2012 Clements D14/243
 D671,091 S * 11/2012 Hauser D14/155
 D671,093 S * 11/2012 Hauser D14/155
 D671,919 S * 12/2012 Kim D14/218
 D674,784 S * 1/2013 Choi D14/240
 D683,331 S * 5/2013 Nylen D14/218
 D707,198 S * 6/2014 Bouzid D14/167
 D709,054 S * 7/2014 McConnell D14/243
 D711,318 S * 8/2014 Xinfang D13/103
 D711,346 S * 8/2014 Ismail D14/137
 D730,280 S * 5/2015 Koebler D13/107
 D735,157 S * 7/2015 Moriya D14/137
 D737,796 S * 9/2015 Liu D14/205
 D739,377 S * 9/2015 Yeom D14/205
 D739,849 S * 9/2015 Donohue, II D14/221
 D743,401 S * 11/2015 Shimano D14/435.1
 D762,614 S * 8/2016 Matsui D14/188
 D780,726 S * 3/2017 Wang D14/223
 D792,370 S * 7/2017 Iranyi D14/191
 D816,057 S * 4/2018 Jue D14/155
 D817,358 S * 5/2018 Choe D14/496
 D822,642 S * 7/2018 Knie D14/218
 D823,274 S * 7/2018 Hu D14/155
 D839,242 S * 1/2019 Pang D14/223
 D840,371 S * 2/2019 Xiong D14/205
 2008/0032737 A1 * 2/2008 Liu H04M 1/72522
 455/556.1

OTHER PUBLICATIONS

Quest-wire-free-wtx-wireless-headphones-new-2018-03. md-hunter.com. (online image) 1 pg. uploaded Oct. 2017 . [Retrieved on May 15, 2019] <https://md-hunter.com/wp-content/uploads/2017/10/quest-wire-free-wtx-wireless-headphones-new-2018-03-645x400.jpg>.*

* cited by examiner

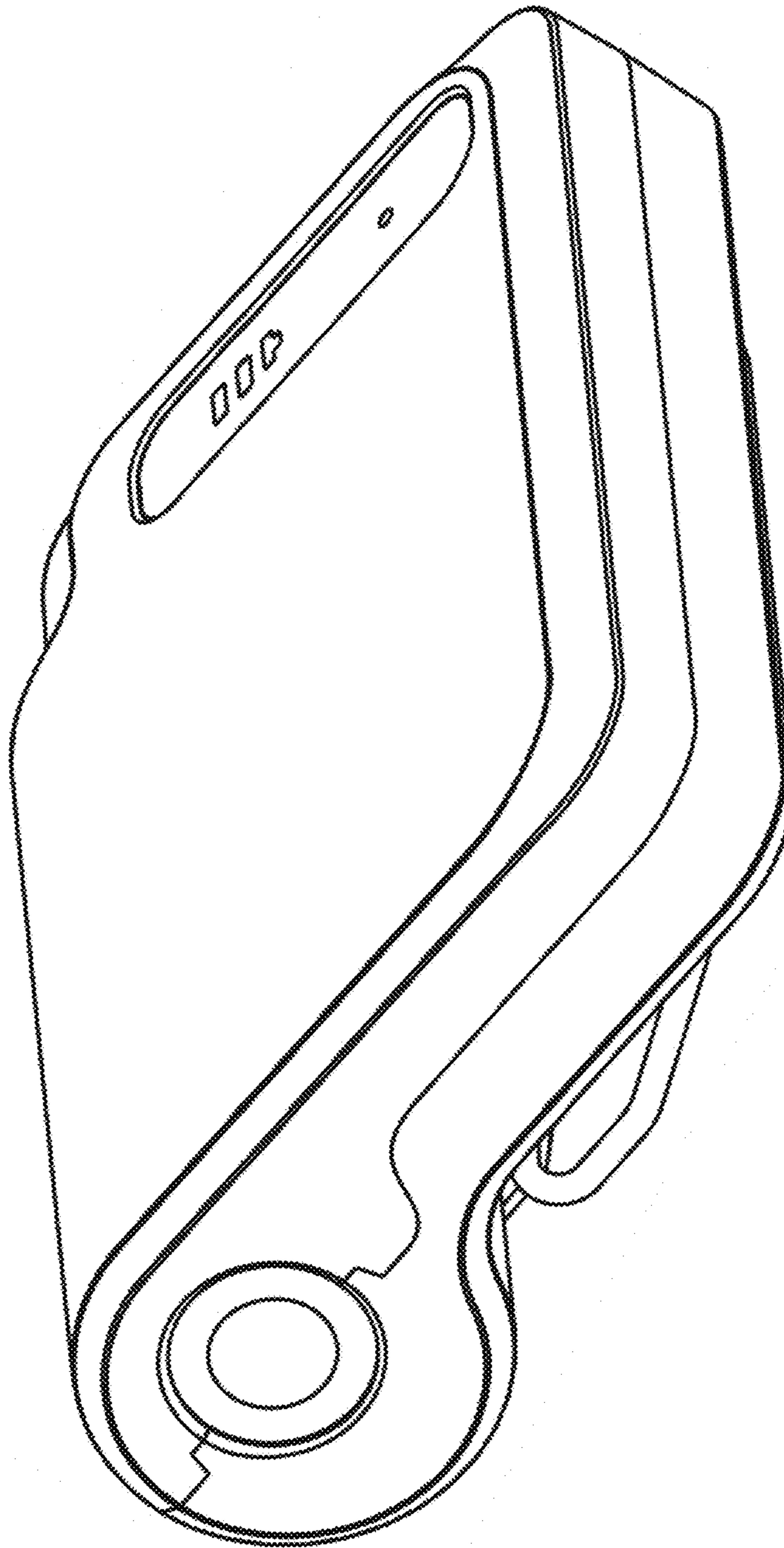


FIG. 1

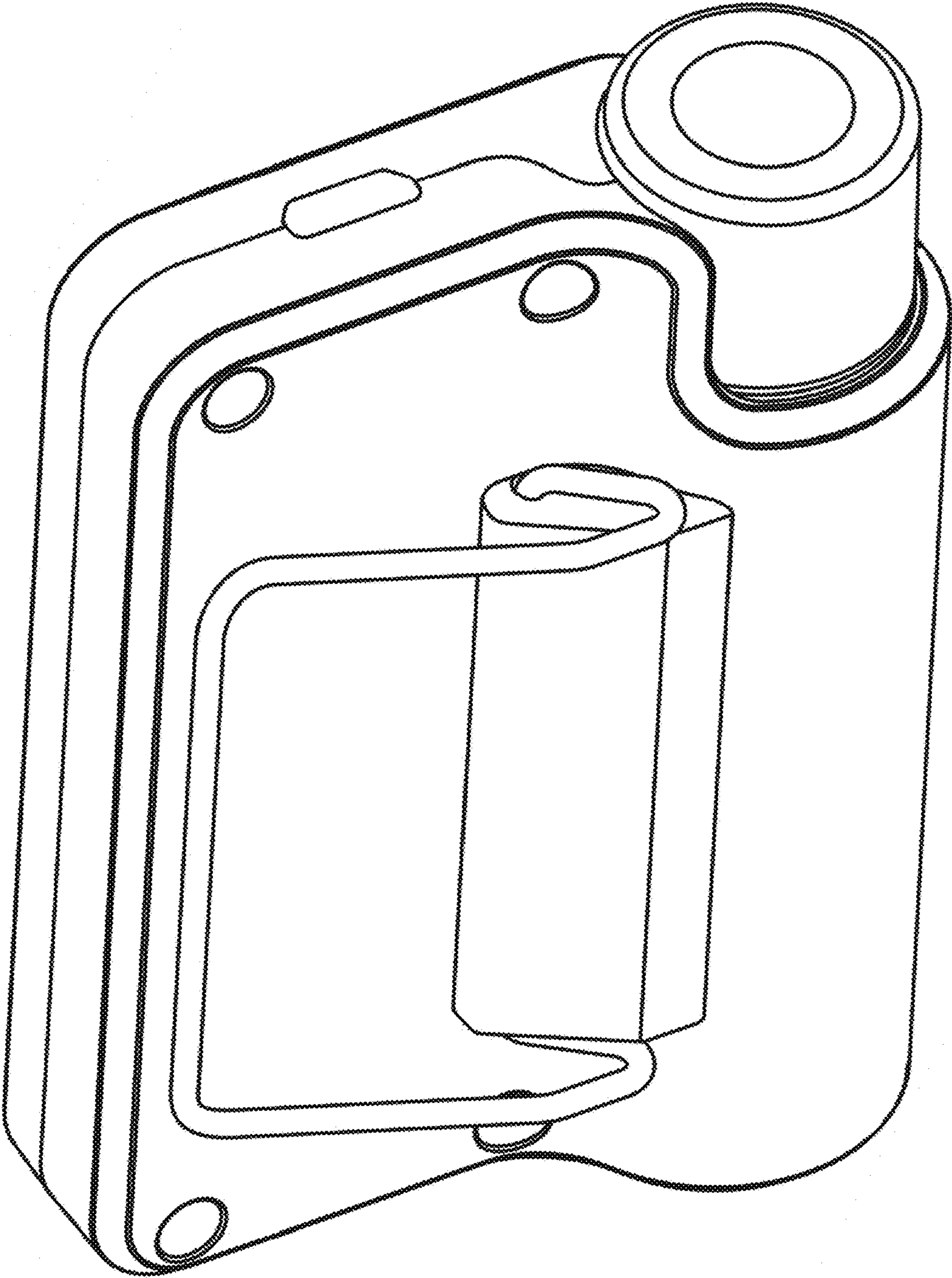


FIG. 2

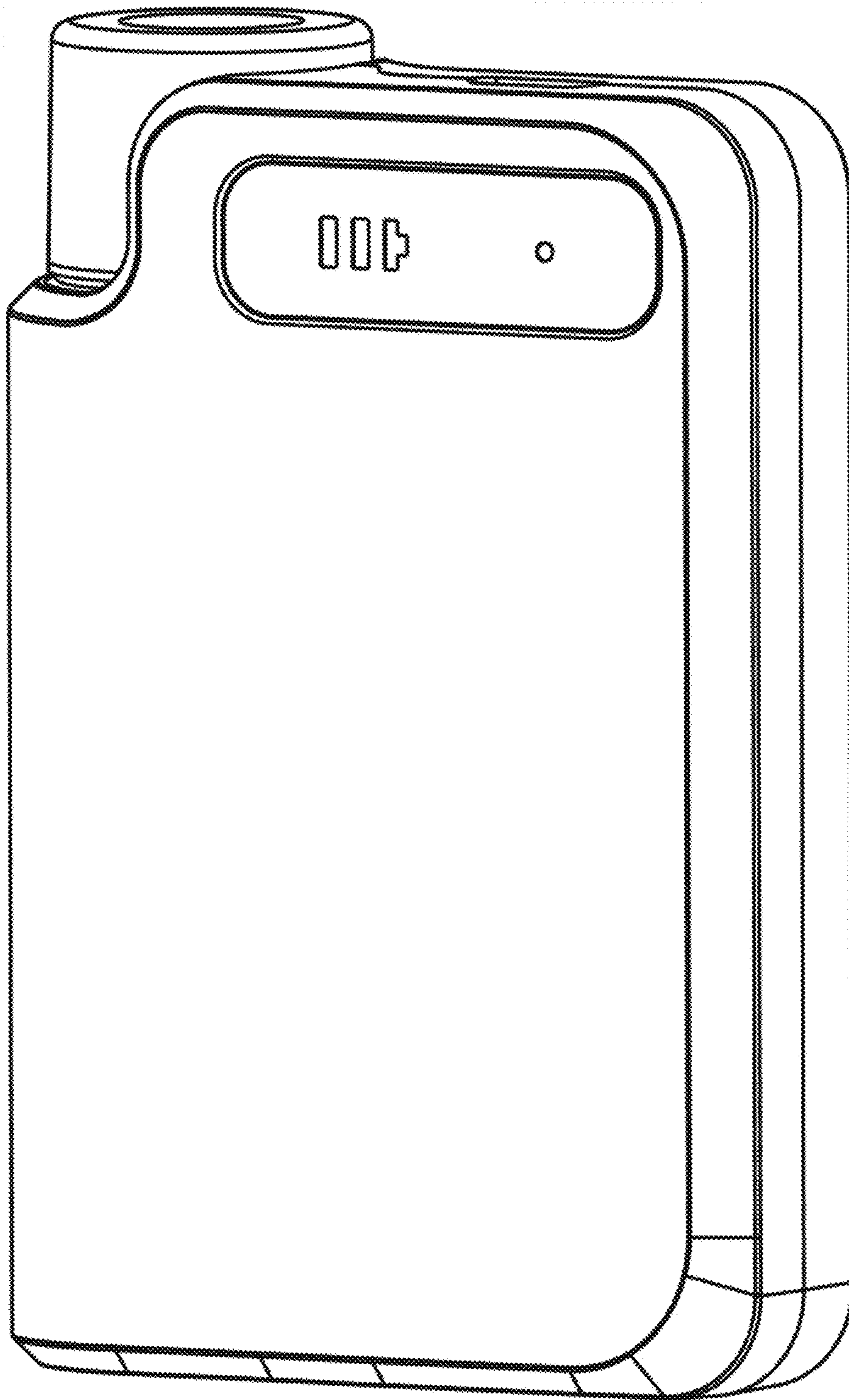


FIG. 3

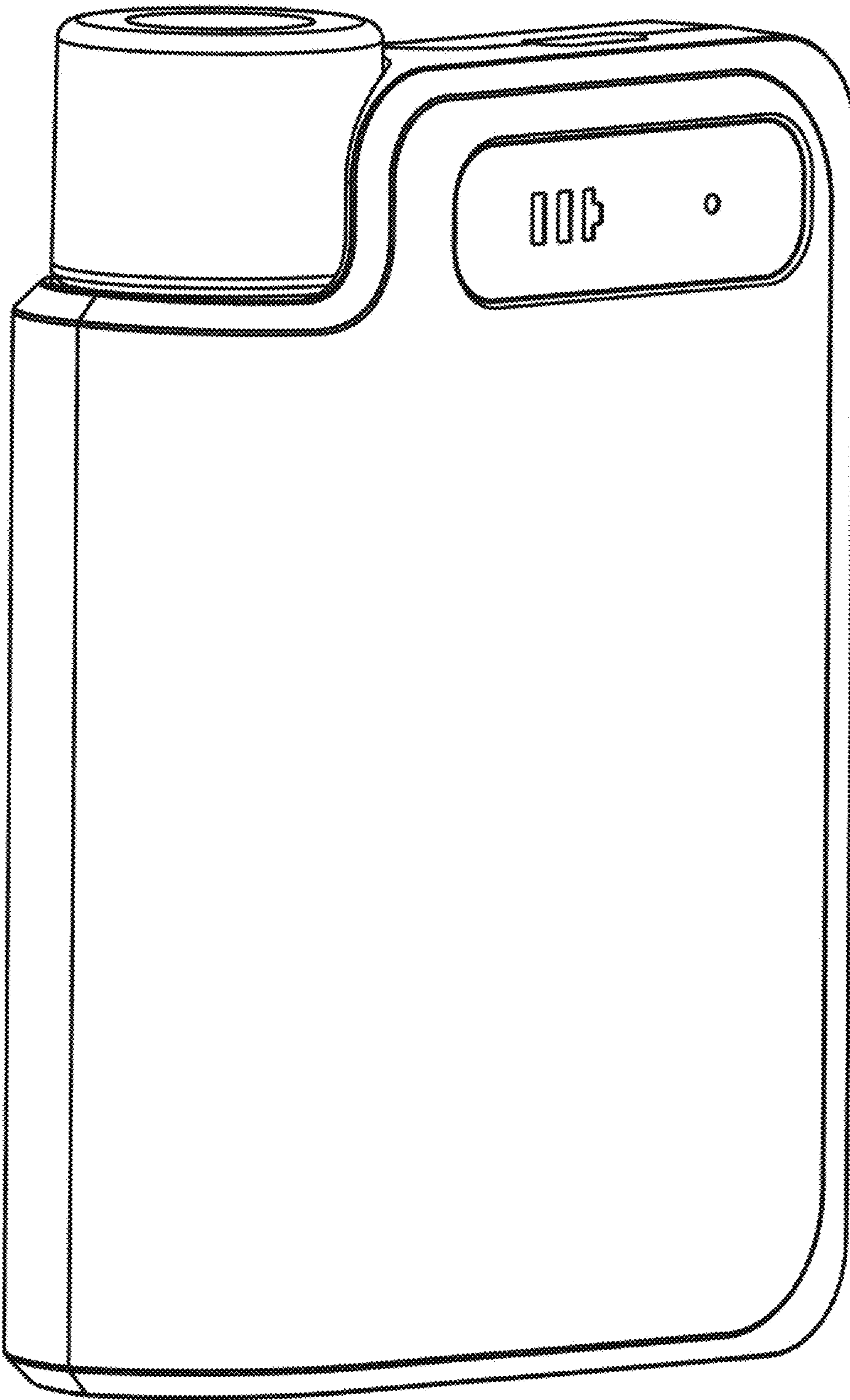


FIG. 4

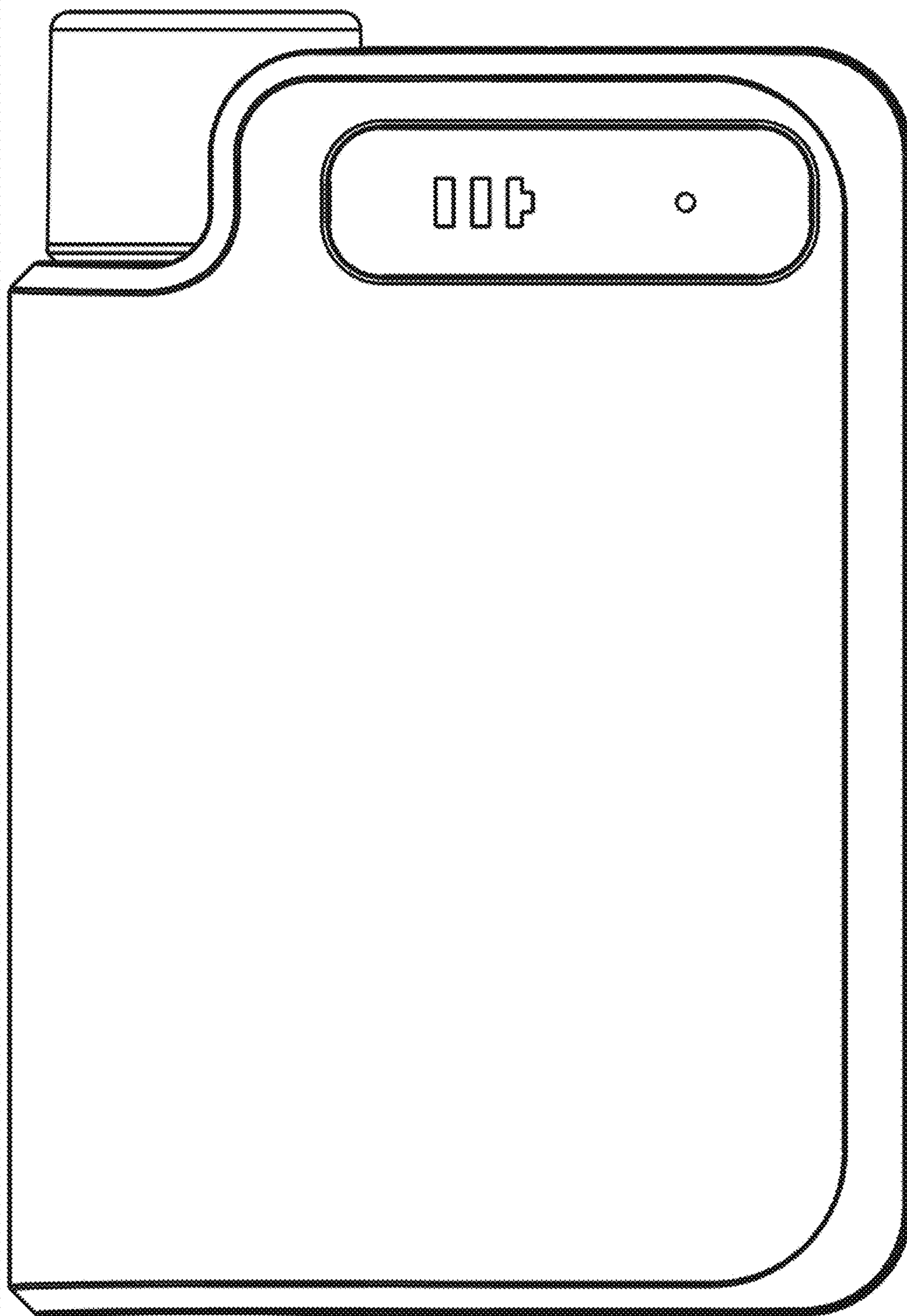


FIG. 5

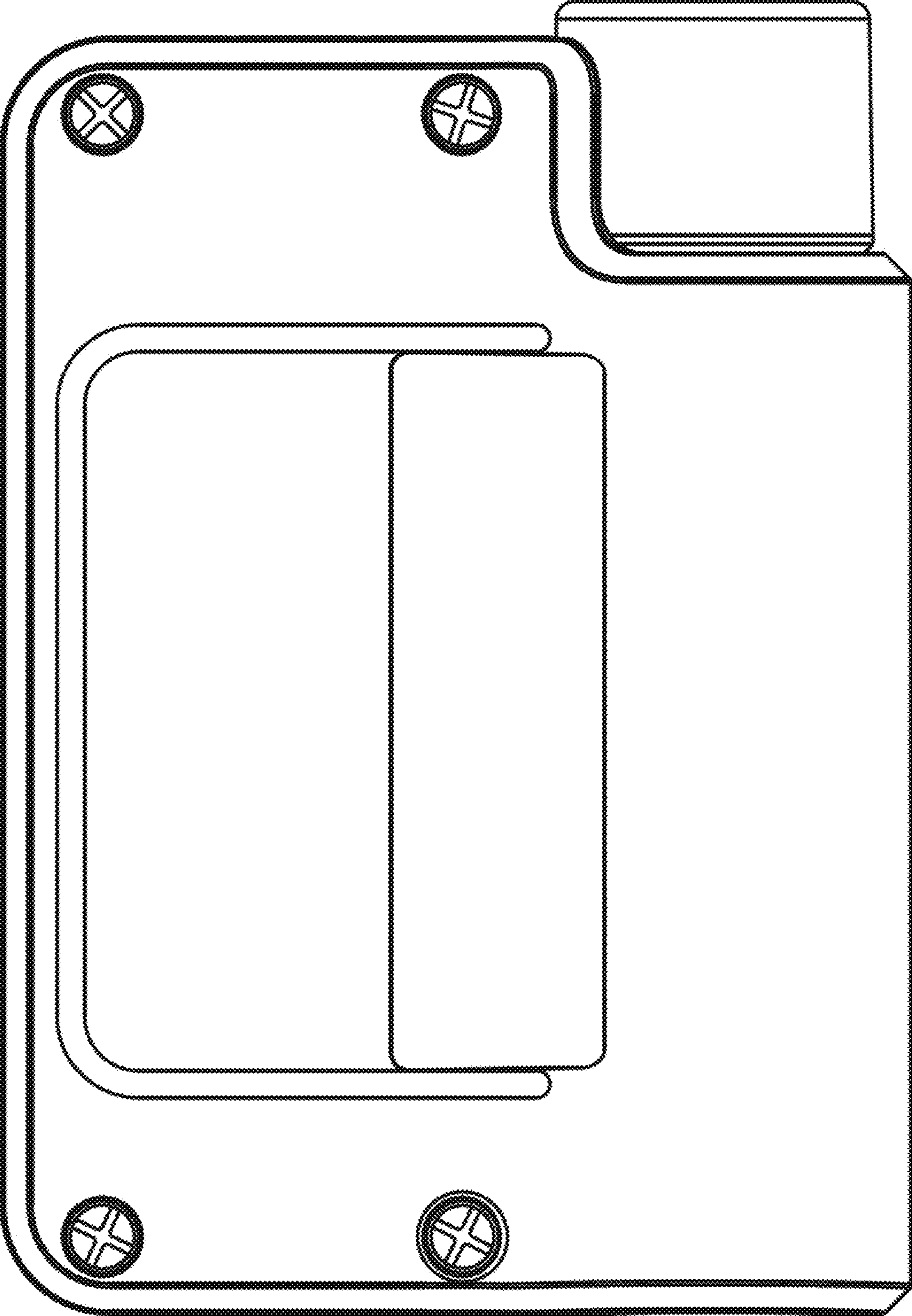


FIG. 6

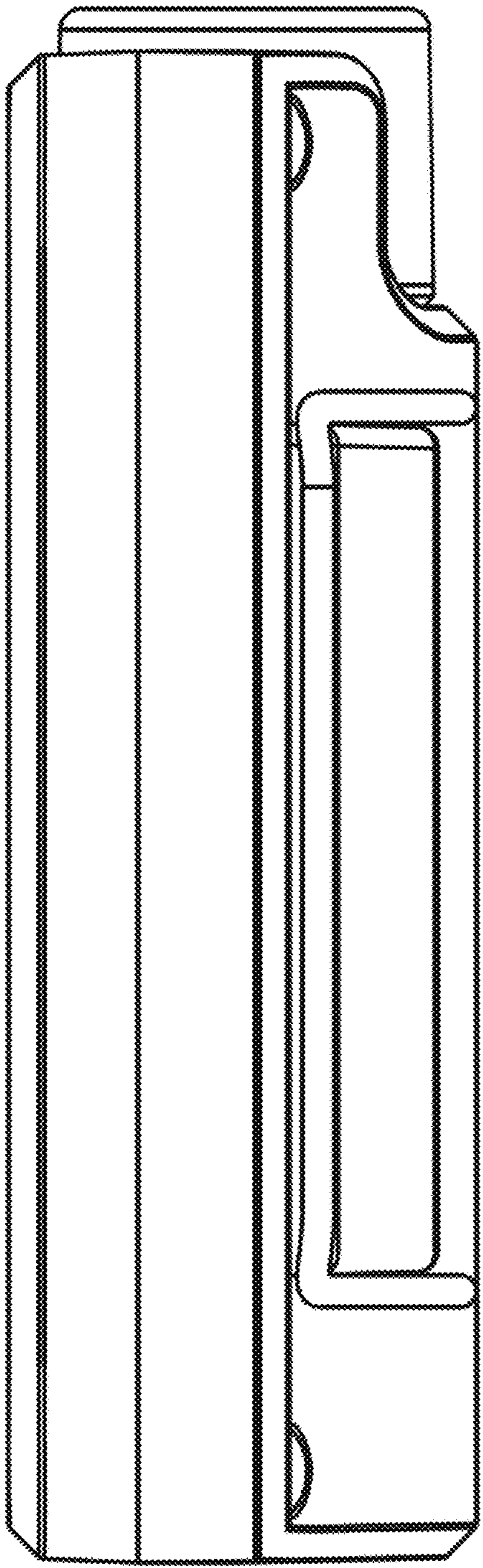


FIG. 7

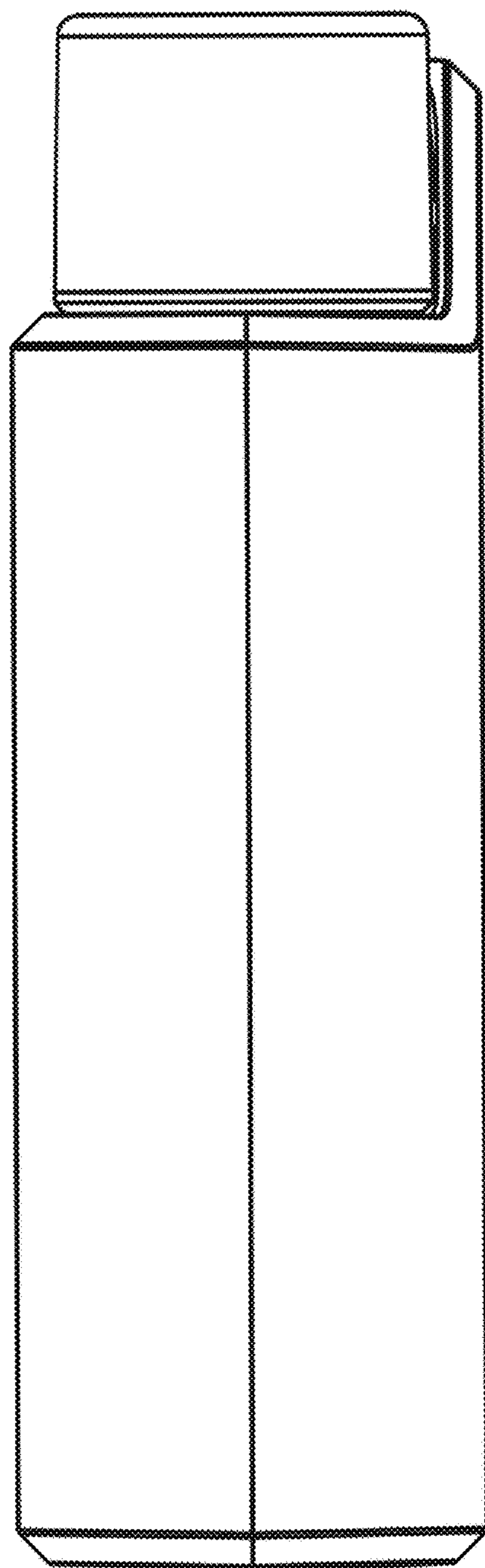


FIG. 8

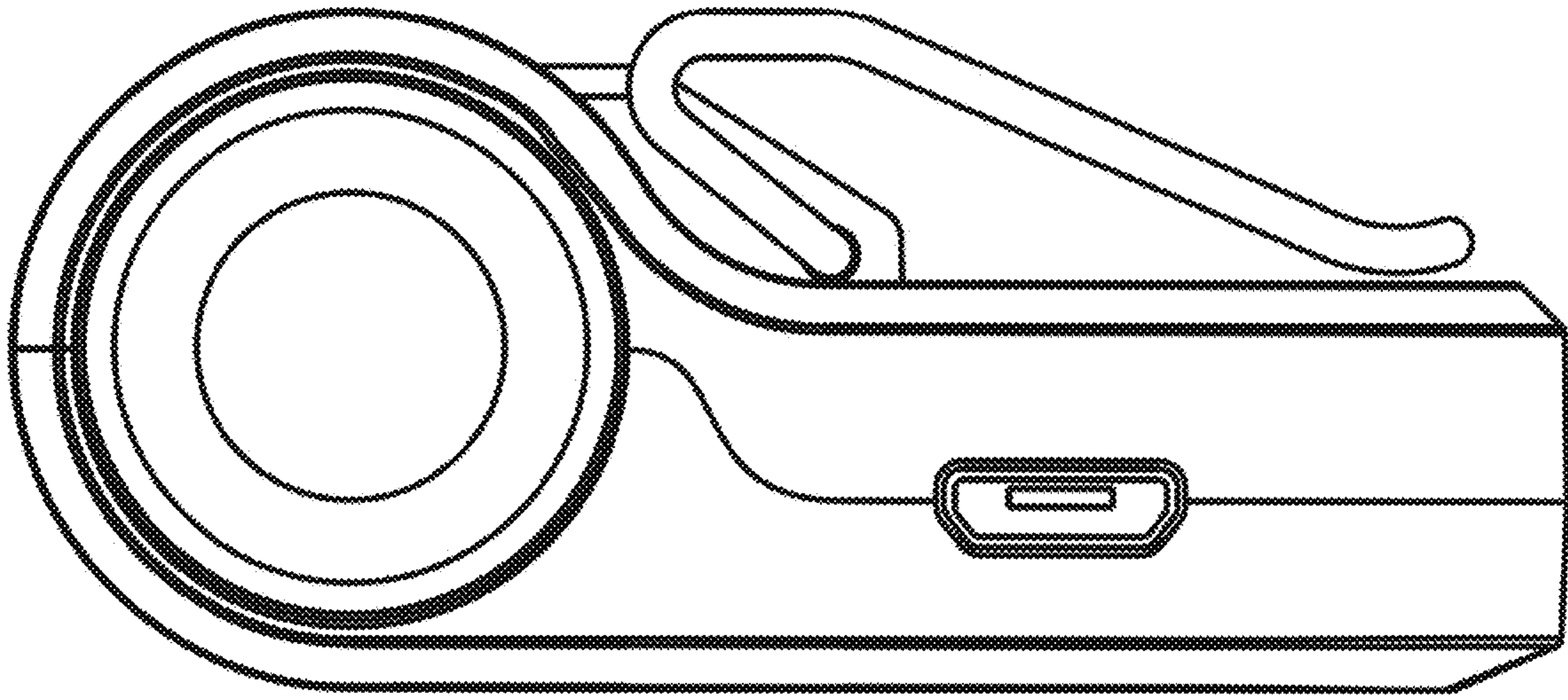


FIG. 9

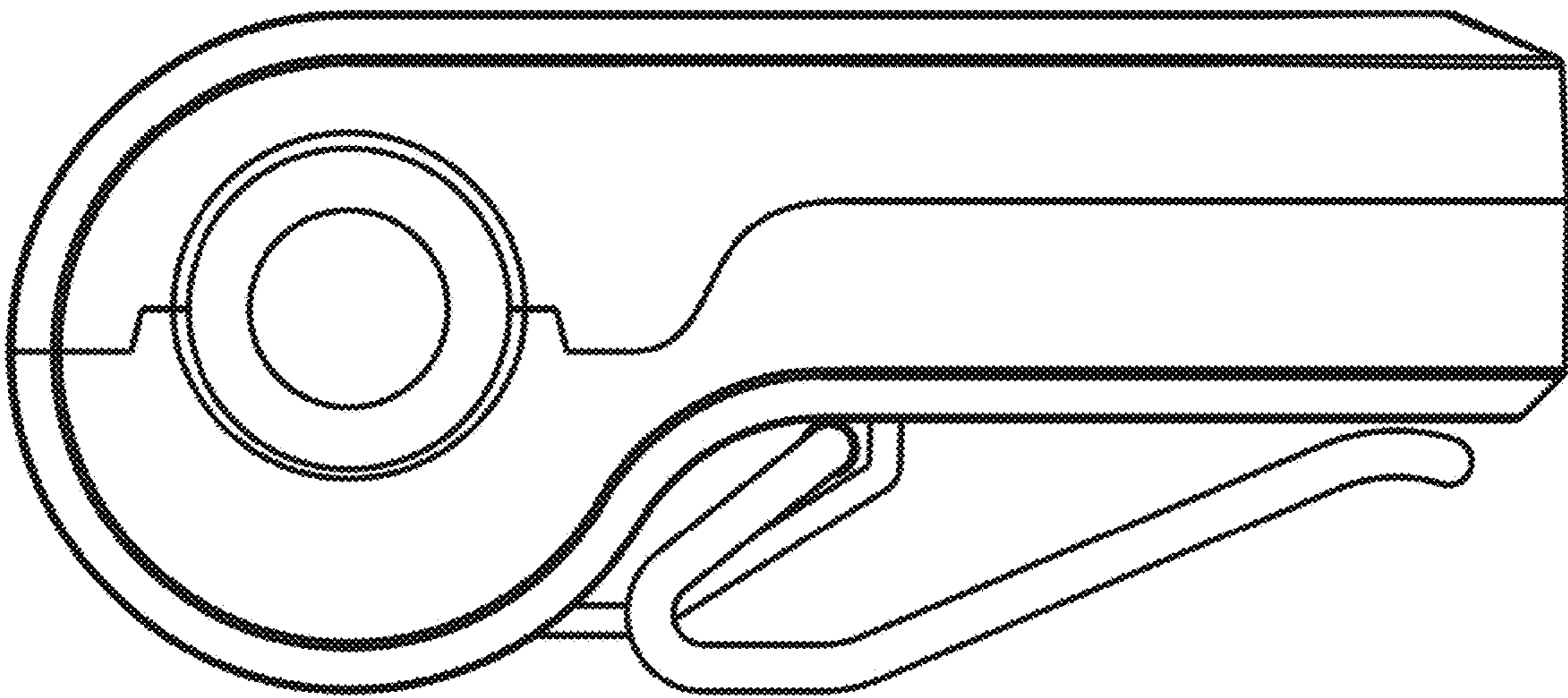


FIG. 10