



US00D862405S

(12) **United States Design Patent**
Russo et al.

(10) **Patent No.:** **US D862,405 S**

(45) **Date of Patent:** **** Oct. 8, 2019**

(54) **MEDIA CONNECTIVITY HUB**

D780,137 S * 2/2017 Tallqvist D14/125
D786,244 S * 5/2017 Mohideen D14/371
D807,840 S * 1/2018 Lee D14/125

(71) Applicant: **Logitech Europe S.A.**, Lausanne (CH)

* cited by examiner

(72) Inventors: **Giuseppe Russo**, Redwood City, CA (US); **Ricardo Filipe Figueiroa Monteiro**, San Francisco, CA (US); **Drew Putterman**, Oakland, CA (US)

Primary Examiner — Randall H Gholson
(74) *Attorney, Agent, or Firm* — Kilpatrick Townsend & Stockton LLP

(73) Assignee: **Logitech Europe S.A.**, Lausanne (CH)

(**) Term: **15 Years**

(57) **CLAIM**

(21) Appl. No.: **29/650,447**

The ornamental design for media connectivity hub, as shown and described.

(22) Filed: **Jun. 6, 2018**

(51) **LOC (12) Cl.** **14-03**

(52) **U.S. Cl.**
USPC **D14/125**

DESCRIPTION

(58) **Field of Classification Search**
USPC D14/125, 357–358, 496, 188, 242, 432;
D13/184; 348/10, 460, 706, 731;
340/825.03; 455/6.1, 6.2; 312/223.1, 7.2
CPC H04N 7/00; H04D 10/70
See application file for complete search history.

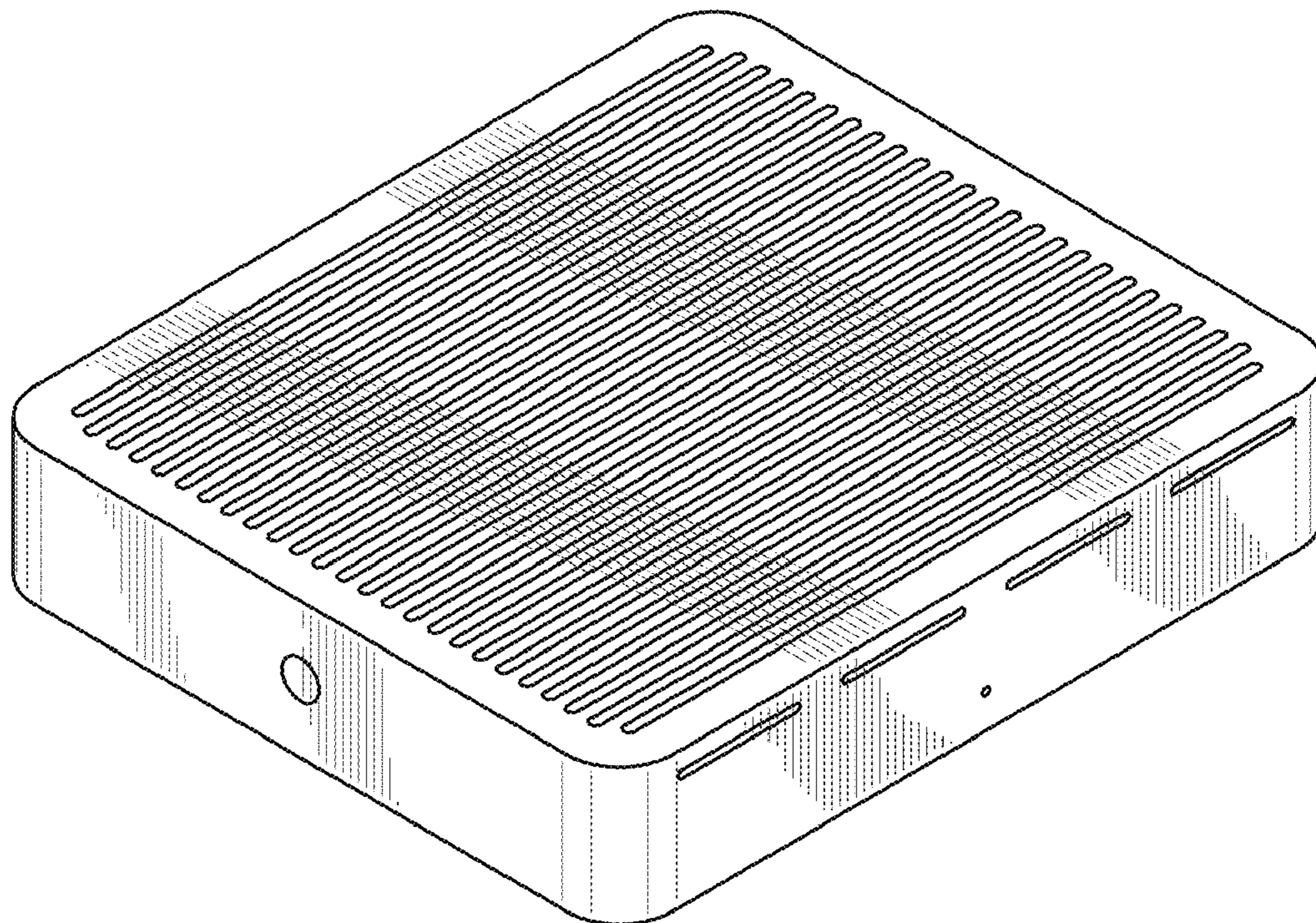
FIG. 1 is a perspective view of our media connectivity hub showing our new design;
FIG. 2 is a second perspective view thereof;
FIG. 3 is a top plan view thereof;
FIG. 4 is a bottom plan view thereof;
FIG. 5 is a front elevation view thereof;
FIG. 6 is a rear elevation view thereof;
FIG. 7 is a right side elevation view thereof; and,
FIG. 8 is a left side elevation view thereof.

(56) **References Cited**

U.S. PATENT DOCUMENTS

D531,189 S * 10/2006 Depay D14/496
D777,126 S * 1/2017 Odryna D14/125

1 Claim, 3 Drawing Sheets



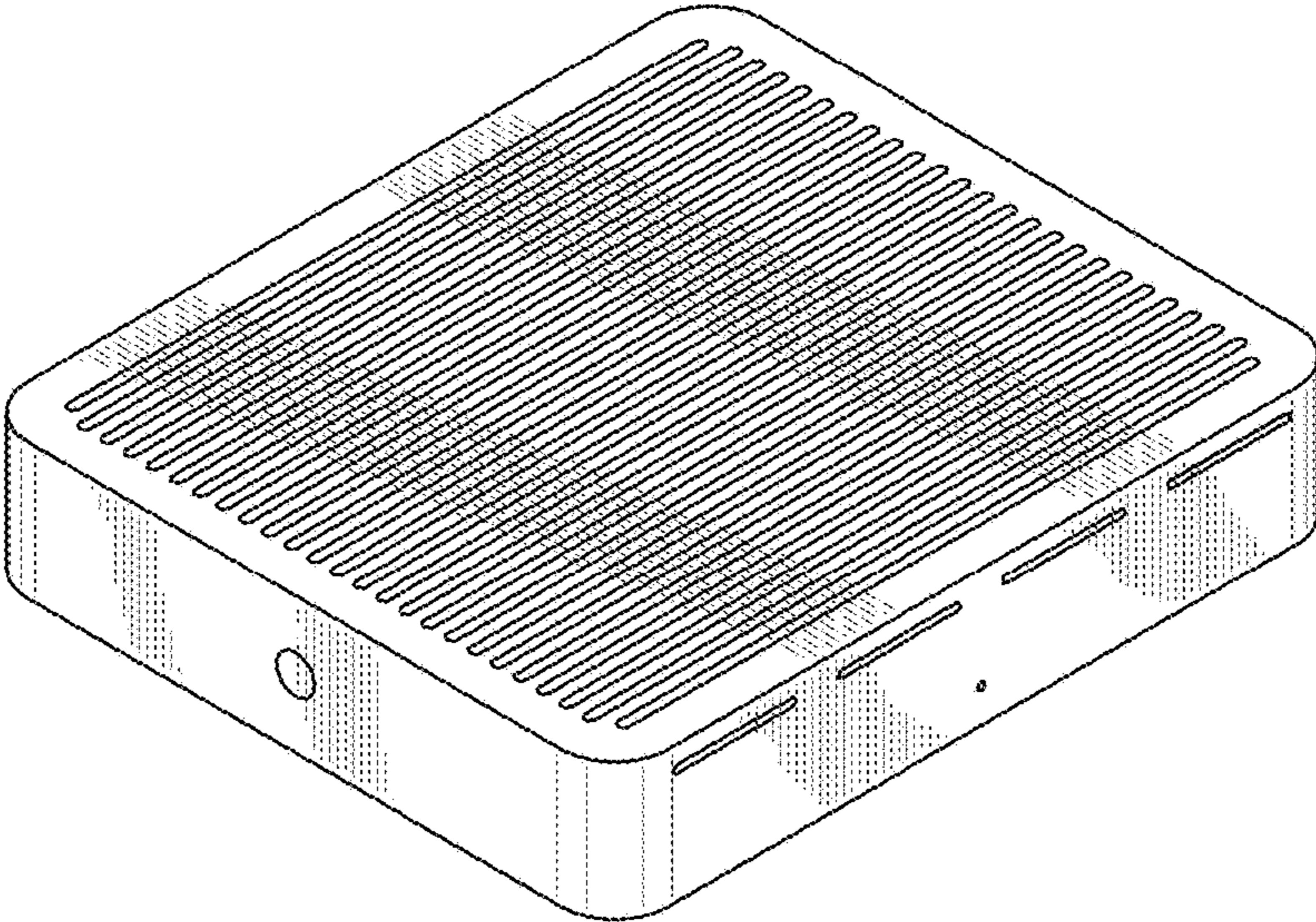


FIG. 1

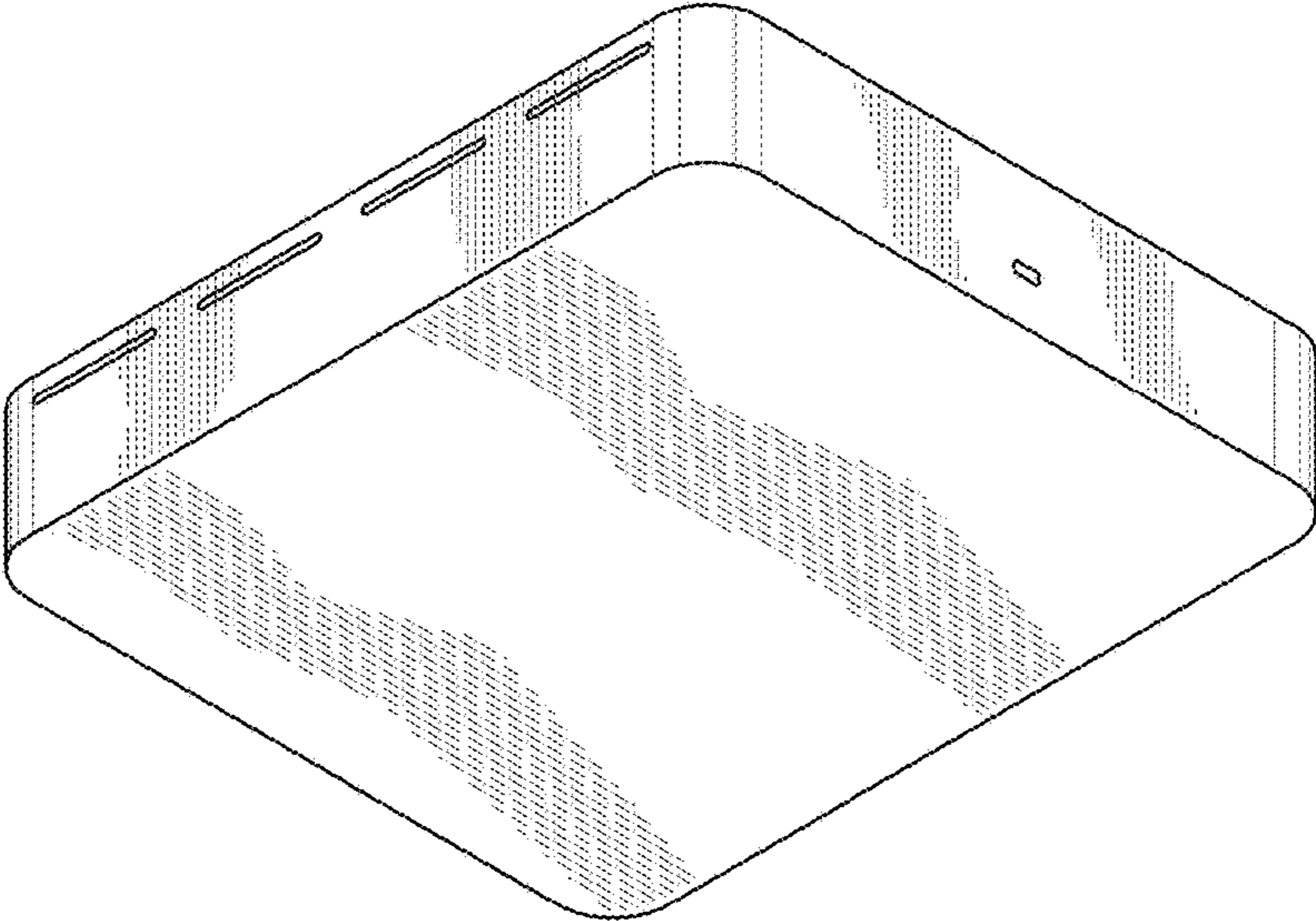


FIG. 2

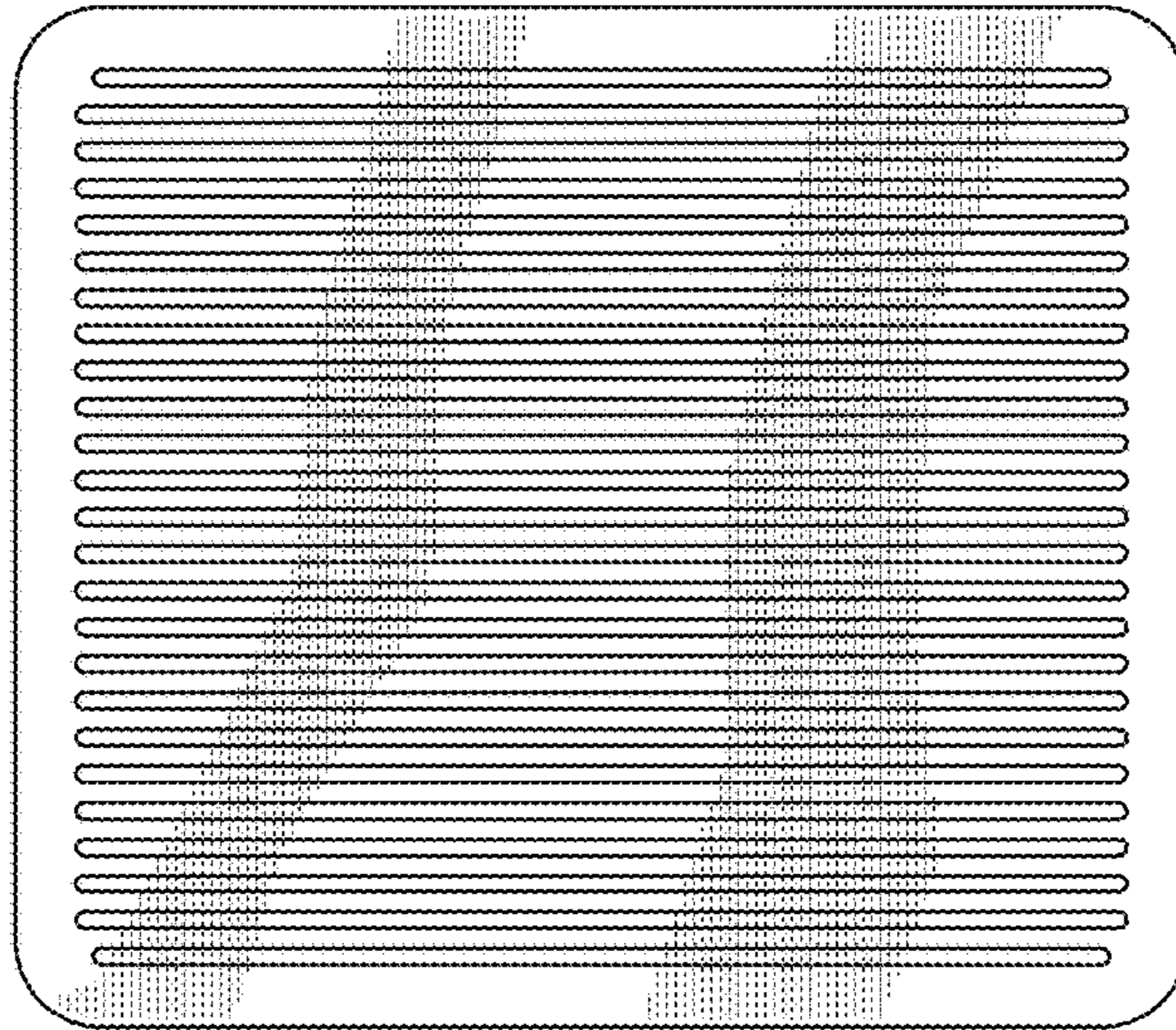


FIG. 3

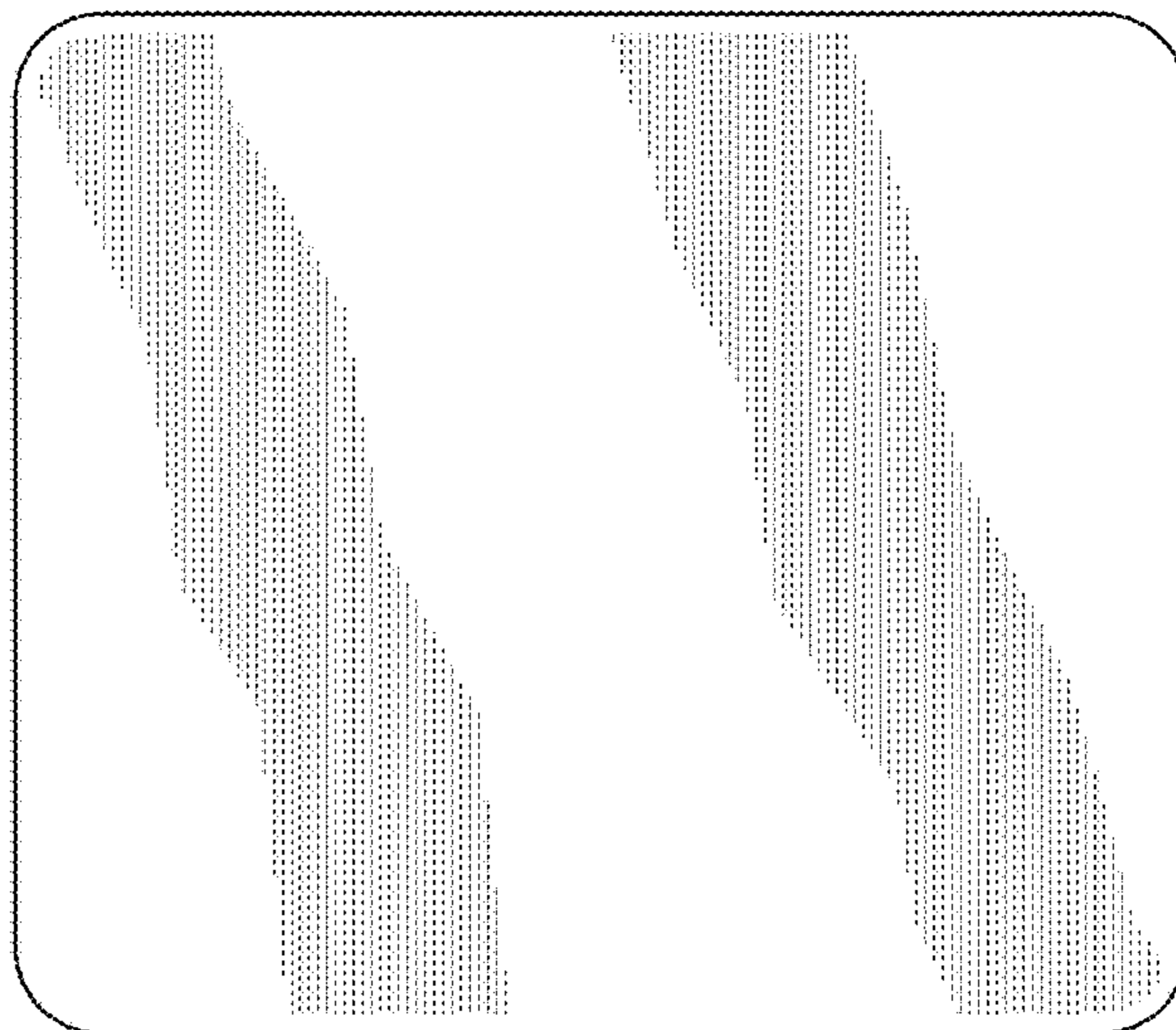


FIG. 4

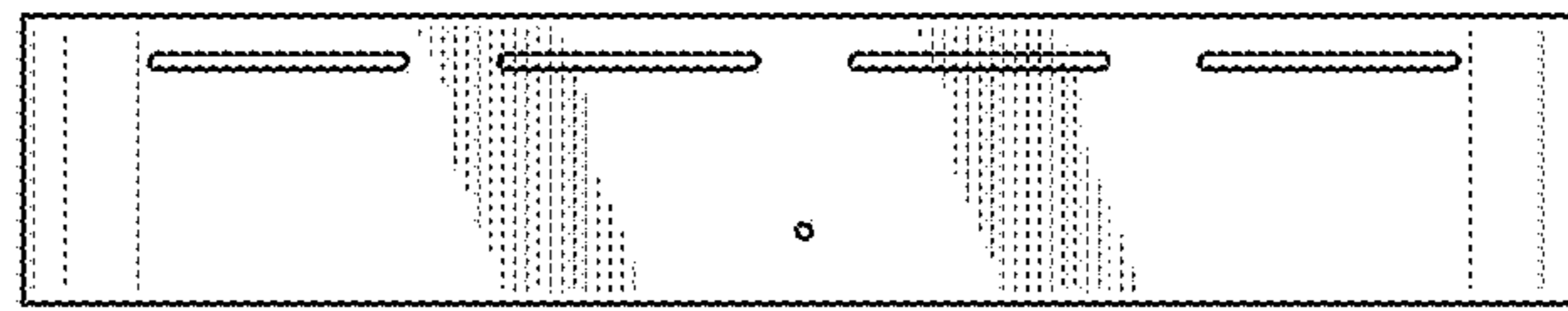


FIG. 5

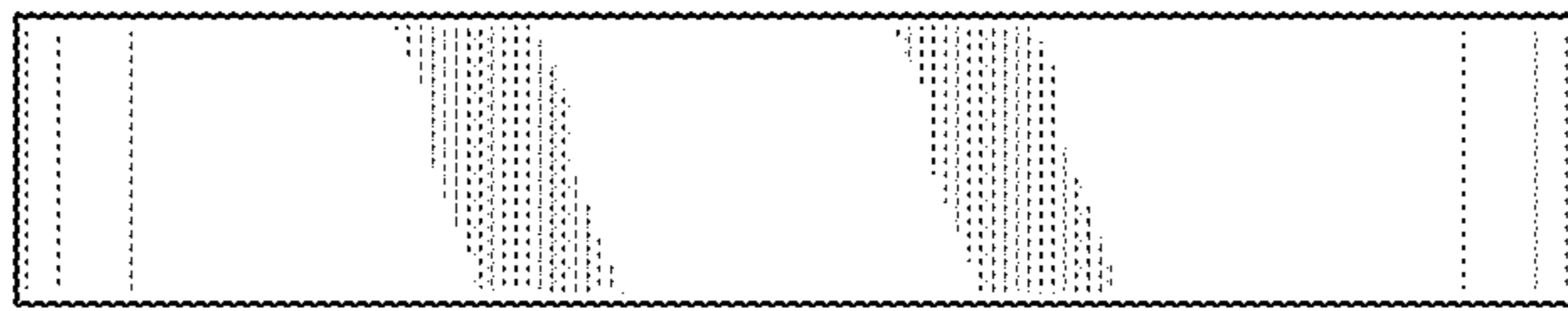


FIG. 6

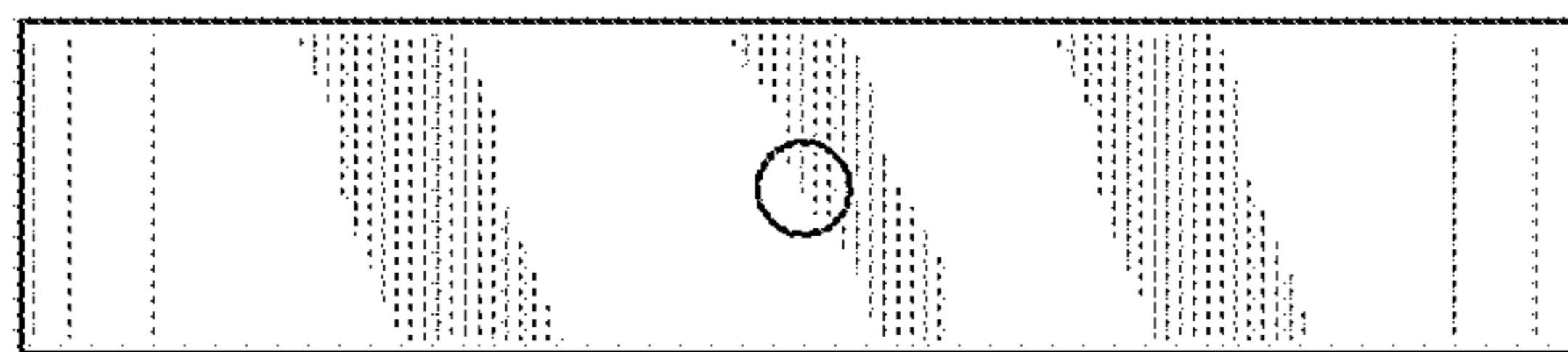


FIG. 7

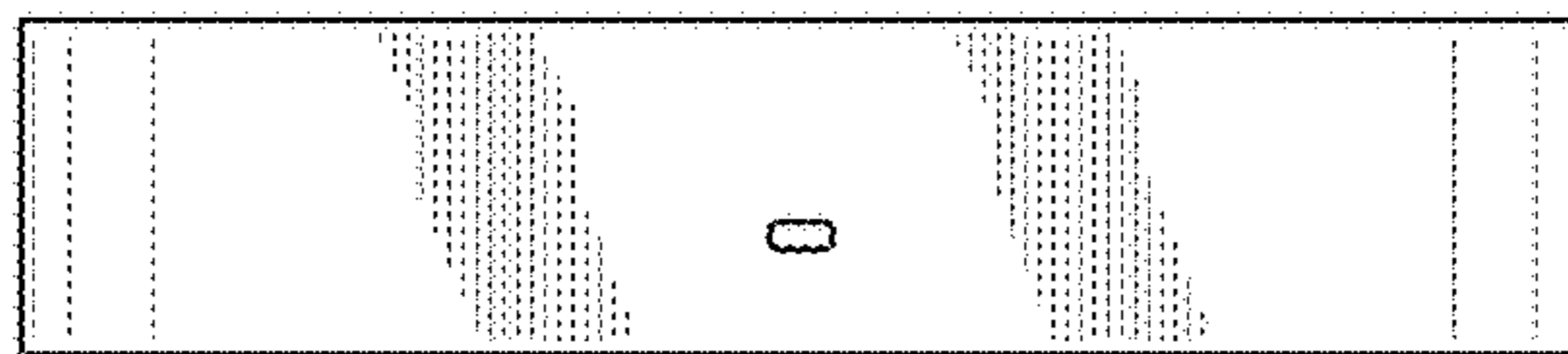


FIG. 8