

US00D862402S

(12) **United States Design Patent**
Lin et al.

(10) **Patent No.:** **US D862,402 S**
(45) **Date of Patent:** **** Oct. 8, 2019**

(54) **MEMORY HEAT DISSIPATION SINK**

(71) Applicant: **Kingston Digital, Inc.**, Fountain Valley, CA (US)

(72) Inventors: **Yi-Ting Lin**, Hsinchu (TW); **Yu-Kuo Huang**, Hsinchu (TW); **Jack Tung Liu**, New Taipei (TW)

(73) Assignee: **Kingston Digital, Inc.**, Fountain Valley, CA (US)

(**) Term: **15 Years**

(21) Appl. No.: **29/630,015**

(22) Filed: **Dec. 18, 2017**

(51) **LOC (12) Cl.** **13-03**

(52) **U.S. Cl.**
USPC **D13/179; D14/436**

(58) **Field of Classification Search**
USPC D13/179, 182; D15/199; D26/138, 141, D26/152, 142; D14/435, 436
CPC ... H01L 23/473; H01L 23/4735; H01L 23/46; H01L 23/467; H01L 23/4006; H01L 23/427; H01L 23/3672; F28D 15/00; F28D 15/02; F28D 15/0275; G06F 1/20; G06F 2200/201

See application file for complete search history.

(56) **References Cited**

U.S. PATENT DOCUMENTS

D660,810 S *	5/2012	Mueller	D13/179
D689,829 S *	9/2013	Chen	D13/179
D702,689 S *	4/2014	Lin	D14/435
D702,690 S *	4/2014	Lin	D14/435
D717,251 S *	11/2014	Mueller	D13/179
D717,744 S *	11/2014	Mueller	D13/179
D735,201 S *	7/2015	Lin	D14/435
D761,744 S *	7/2016	Mueller	D13/179

D793,400 S *	8/2017	Lin	D13/179
2003/0026076 A1 *	2/2003	Wei	H01L 23/36 361/704
2006/0268523 A1 *	11/2006	Lin	G06F 1/20 361/710

(Continued)

OTHER PUBLICATIONS

Youtube, "HyperX Predator DDR4 memory" uploaded by user HyperX on Jun. 3, 2016. (https://www.youtube.com/watch?v=JJS6p9jc_sQ) (Year: 2016).*

(Continued)

Primary Examiner — Jennifer Rivard

Assistant Examiner — April Rivas

(74) *Attorney, Agent, or Firm* — Skaar Ulbrich Macari, P.A.

(57) **CLAIM**

We claim an ornamental design for a memory heat dissipation sink, as shown and described.

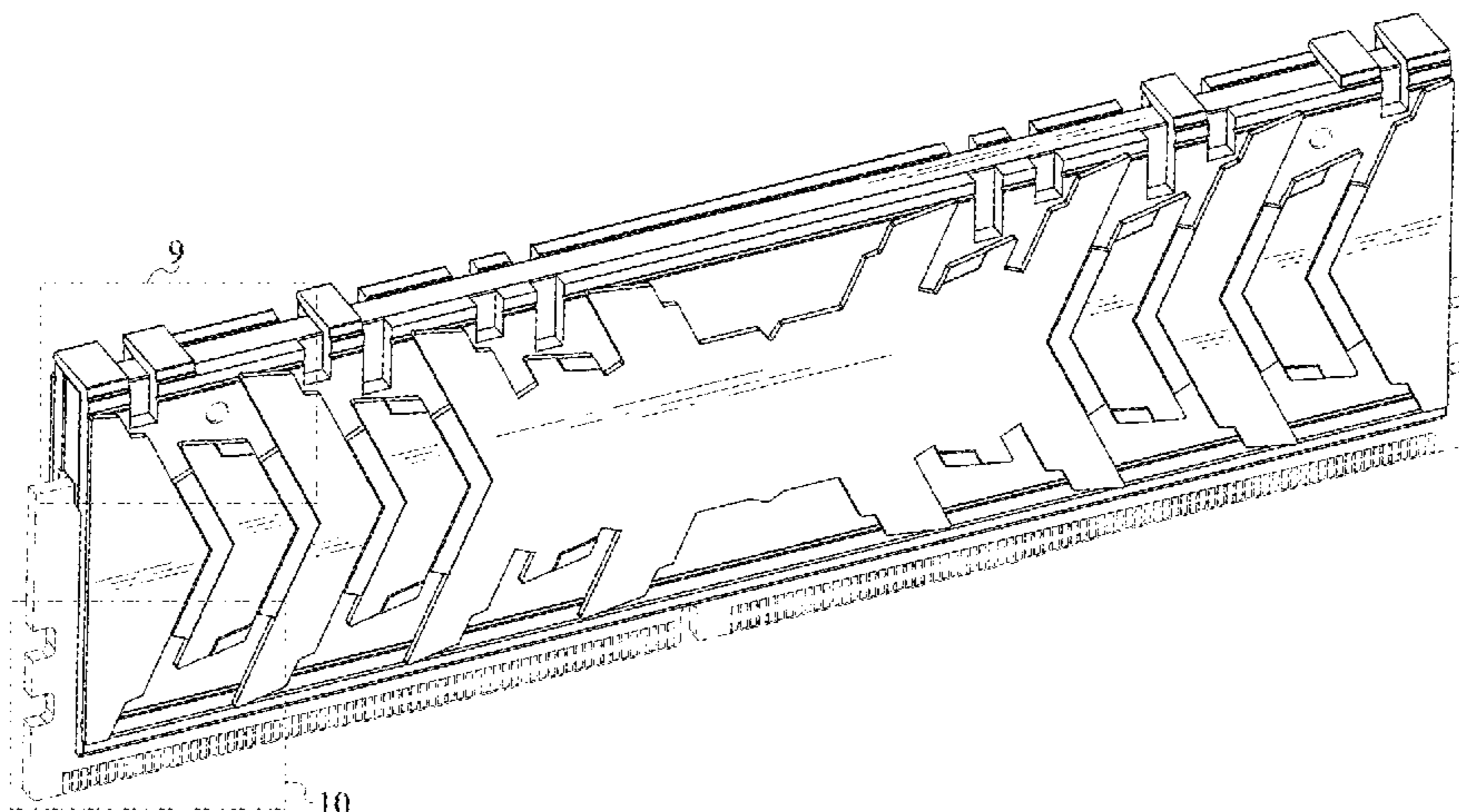
DESCRIPTION

FIG. 1 is a front perspective view of a memory heat dissipation sink showing the claimed design; FIG. 2 is a rear perspective view thereof; FIG. 3 is a front elevational view thereof; FIG. 4 is a rear elevational view thereof; FIG. 5 is a left side elevational view thereof; FIG. 6 is a right side elevational view thereof; FIG. 7 is a top plan view thereof; FIG. 8 is a bottom plan view thereof; FIG. 9 is an enlarged view illustrating the details of the dot-dash area "9" shown in FIG. 1; and, FIG. 10 is an enlarged view illustrating the details of the dot-dash area "10" shown in FIG. 1.

The dashed broken lines in the figures represent portions of the article which form no part of the claimed design.

The dot-dash lines in the figures represent the boundaries of the enlarged areas which form no part of the claimed design.

1 Claim, 6 Drawing Sheets



(56)

References Cited

U.S. PATENT DOCUMENTS

2015/0212555 A1* 7/2015 Cox H01L 23/427
361/679.52

OTHER PUBLICATIONS

Thumbsticks, "Corsair launches Vengeance RGB RAM, for some reason", posted Sep. 26, 2017. (<https://www.thumbsticks.com/corsair-launches-rgb-ram-09262017/>) (Year: 2017).*

Hexus, "G.Skill announces Trident Z RGB DDR4-3333MHz 128GB RAM kit", posted Apr. 10, 2017. (<https://hexus.net/tech/news/ram/104422-gskill-announces-trident-z-rgb-ddr4-3333mhz-128gb-ram-kit/>) (Year: 2017).*

* cited by examiner

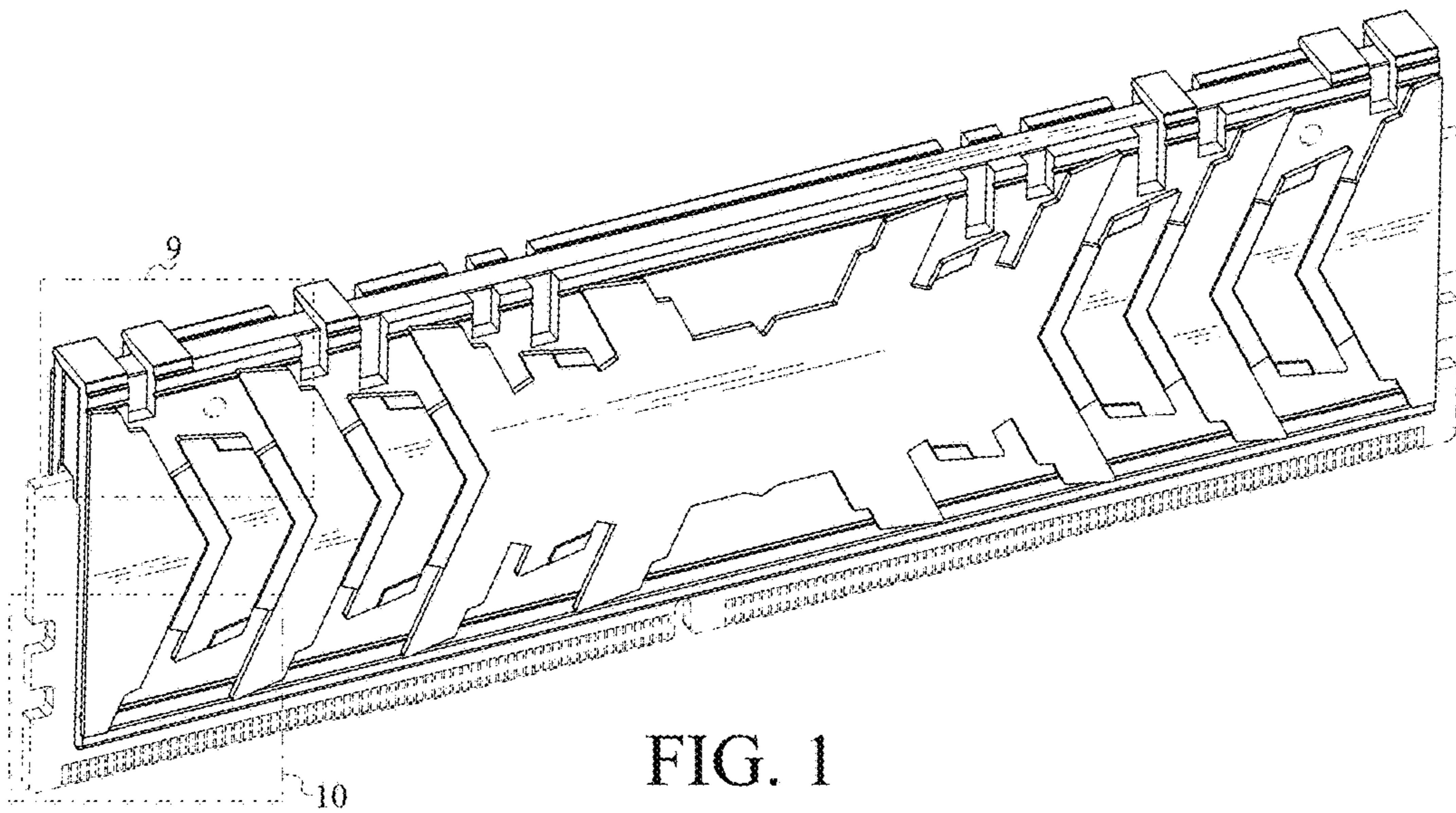


FIG. 1

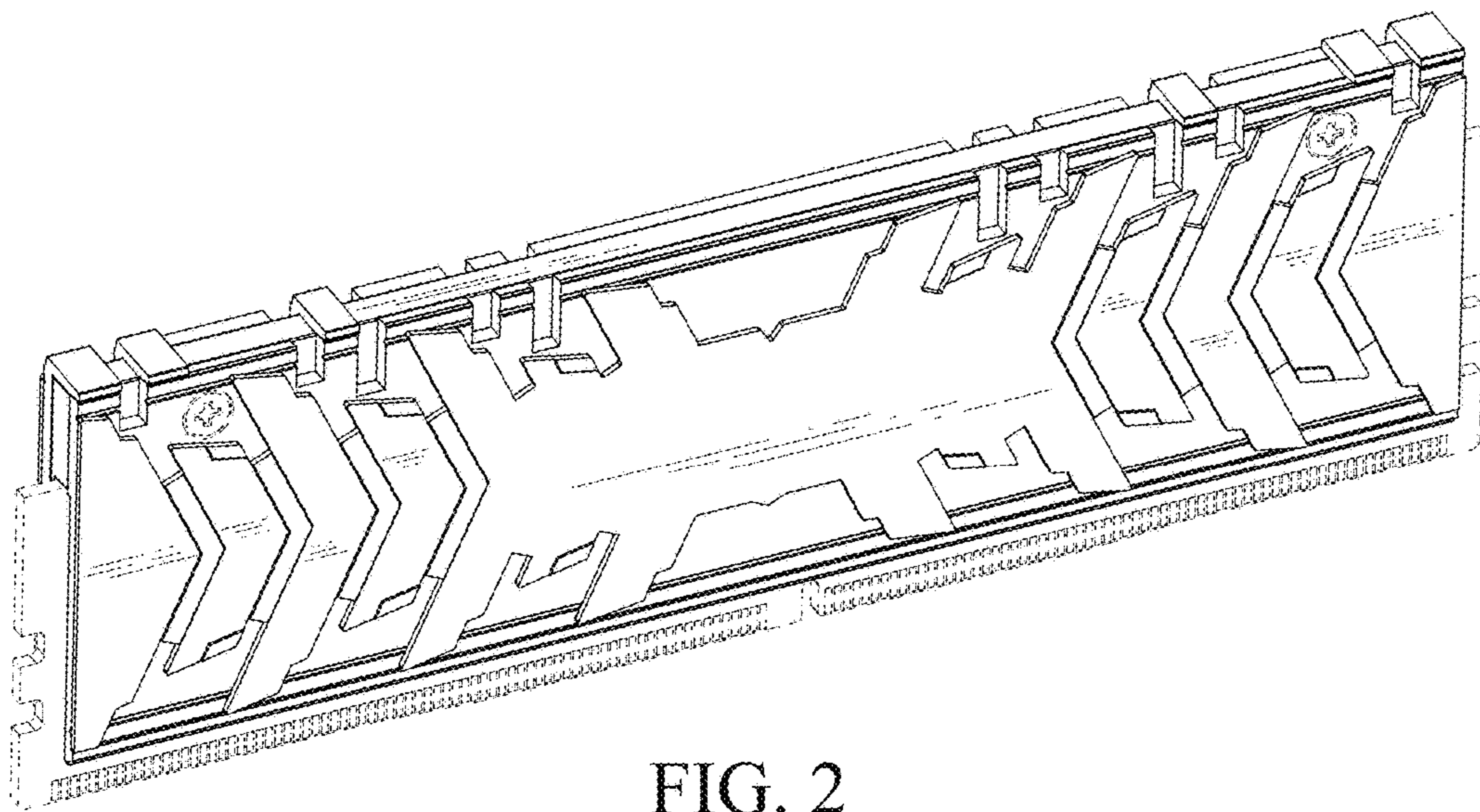


FIG. 2

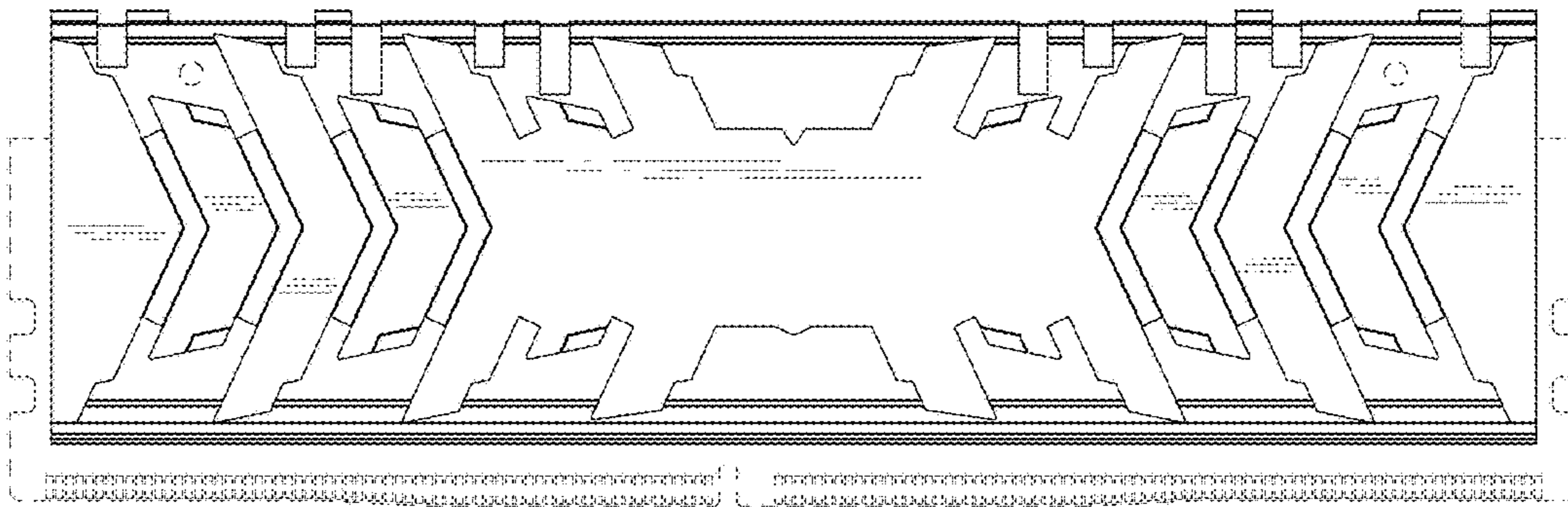


FIG. 3

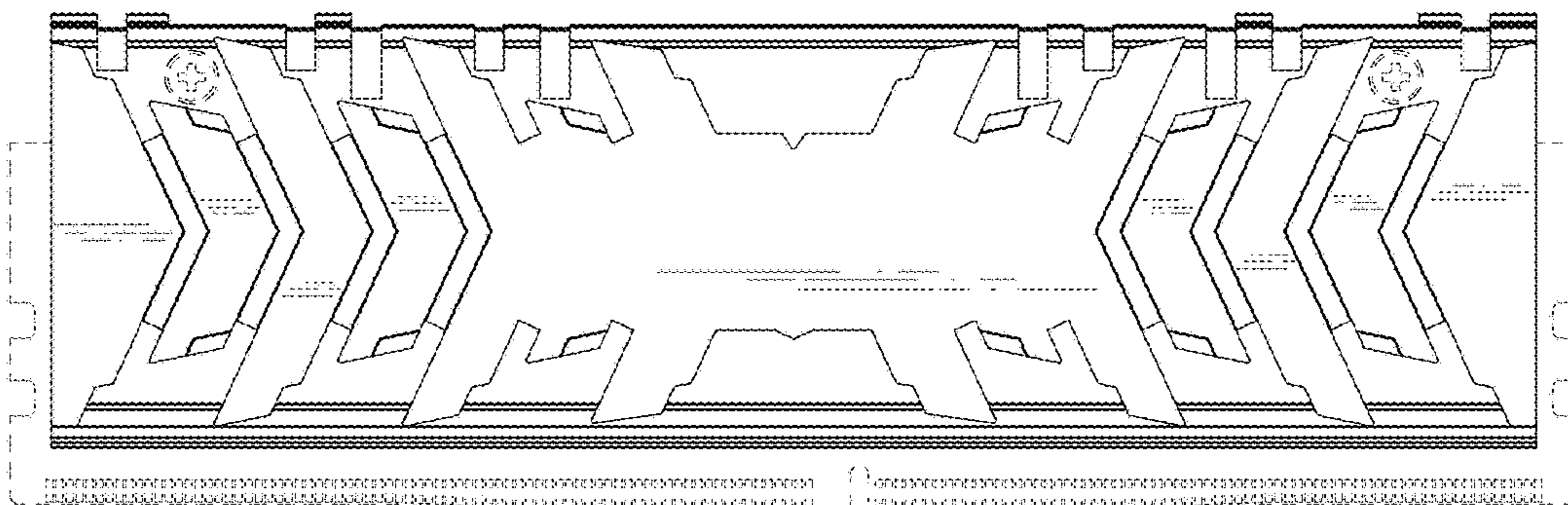


FIG. 4



FIG. 5

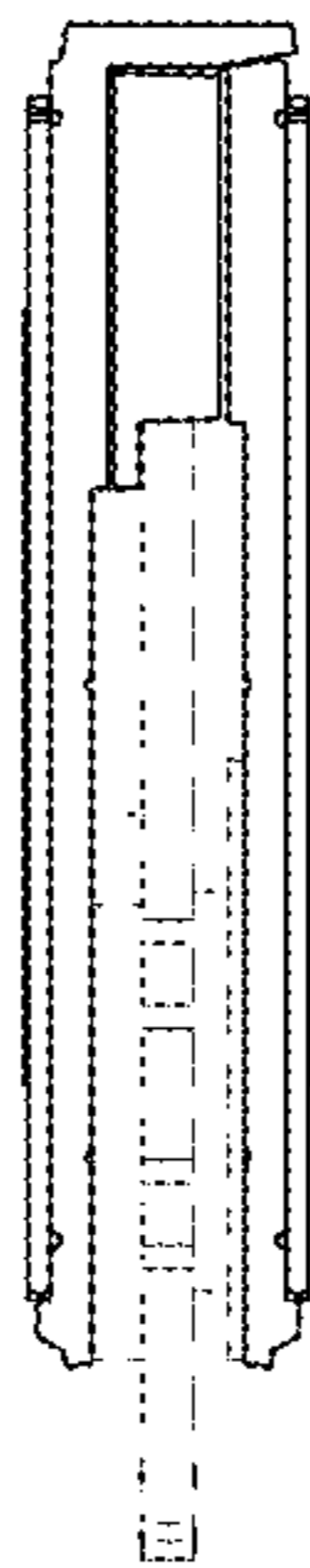


FIG. 6

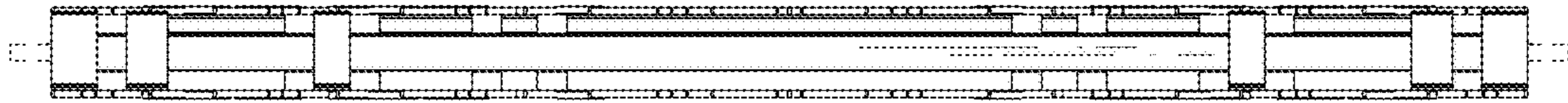


FIG. 7

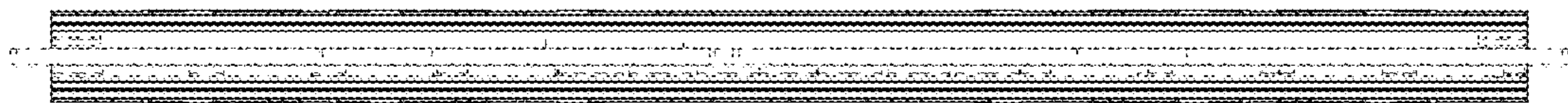


FIG. 8

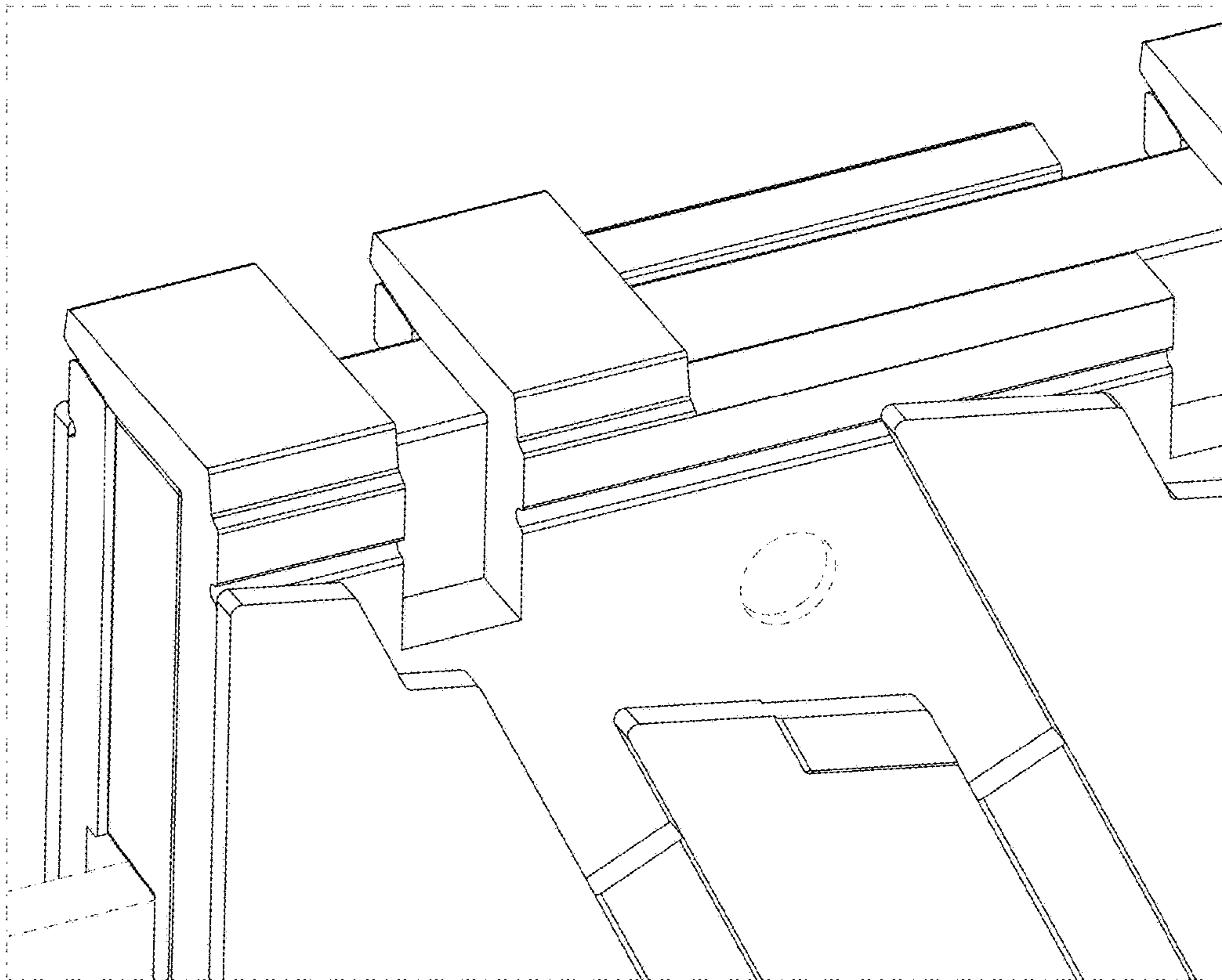


FIG. 9

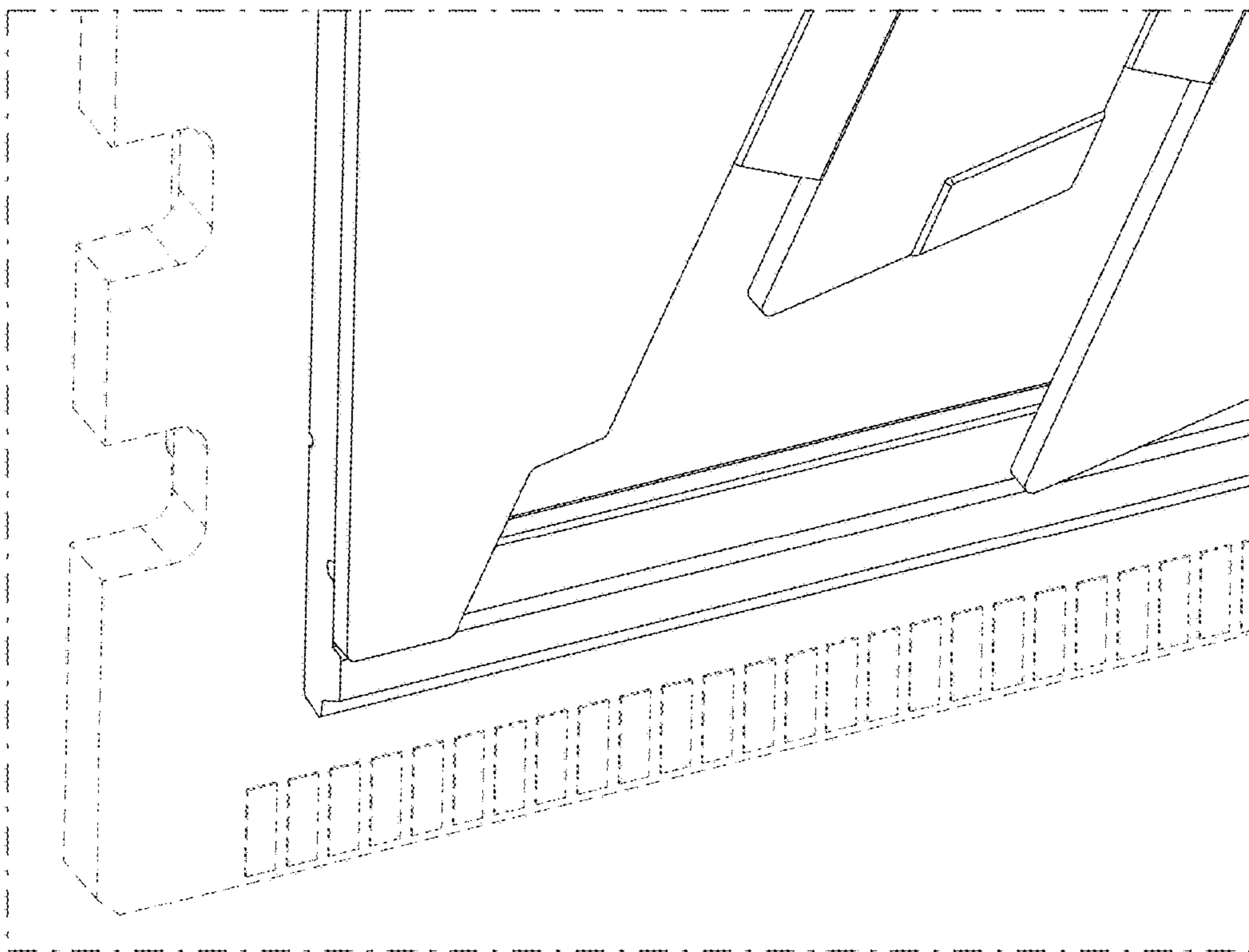


FIG. 10