



US00D862399S

(12) **United States Design Patent** (10) **Patent No.:** **US D862,399 S**
Andersson et al. (45) **Date of Patent:** **** Oct. 8, 2019**

(54) **OPERATOR PANEL FOR INVERTER
CONTROLLER FOR ELECTRIC MOTORS**

(71) Applicant: **Siemens Aktiengesellschaft**, München
(DE)

(72) Inventors: **Jan Andersson**, Erlangen (DE); **Frank
Zeitler**, Uttenreuth (DE)

(73) Assignee: **Siemens Aktiengesellschaft**, München
(DE)

(**) Term: **15 Years**

(21) Appl. No.: **29/648,889**

(22) Filed: **May 24, 2018**

(30) **Foreign Application Priority Data**

Nov. 27, 2017 (EP) 004523249

(51) **LOC (12) Cl.** **13-03**

(52) **U.S. Cl.**
USPC **D13/162**

(58) **Field of Classification Search**
USPC D13/110, 158, 162, 164
CPC G05B 19/409; G05B 2219/23406; H02M
7/003; H05K 5/00; H05K 5/0017; H05K
5/02; H05K 5/0217; H05K 5/03; G06F
1/1626; G06F 3/02

See application file for complete search history.

(56) **References Cited**

U.S. PATENT DOCUMENTS

5,666,268 A * 9/1997 Rix H05K 7/1432
361/115
5,905,647 A * 5/1999 Shirai H05K 7/20909
363/141
6,091,604 A * 7/2000 Plougsgaard H02M 7/003
165/185
D450,305 S * 11/2001 Masuzoe D13/168
D455,399 S * 4/2002 Imamura D13/110

D458,906 S * 6/2002 Kim D13/164
D459,313 S * 6/2002 Kim D13/164
D512,026 S * 11/2005 Nurmi D13/162
D555,602 S * 11/2007 Park D13/162
D560,195 S * 1/2008 Moon D14/138 AD
D566,090 S * 4/2008 Moon D14/138 AD
D602,464 S * 10/2009 Chung D14/138 AD
D610,553 S * 2/2010 Makela D13/162
8,564,233 B2 * 10/2013 Kidd F04D 15/0066
318/432

(Continued)

OTHER PUBLICATIONS

China Vector Control low Frequency Inverter; prior to May 24,
2018; 1pg.; https://www.google.com/search?q=inverter+controller+for+electric+motors&hl=en&biw=1536&bih=813&source=Int&tbs=cd:3A1%2Ccd_min%3A%2Ccd_max%3A5%2F24%2F2018&tbm=isch#imgc=UeN5DvgtFiXH5M:&spf=1557427021211.*

(Continued)

Primary Examiner — Selina Sikder

(74) *Attorney, Agent, or Firm* — Henry M. Feiereisen
LLC

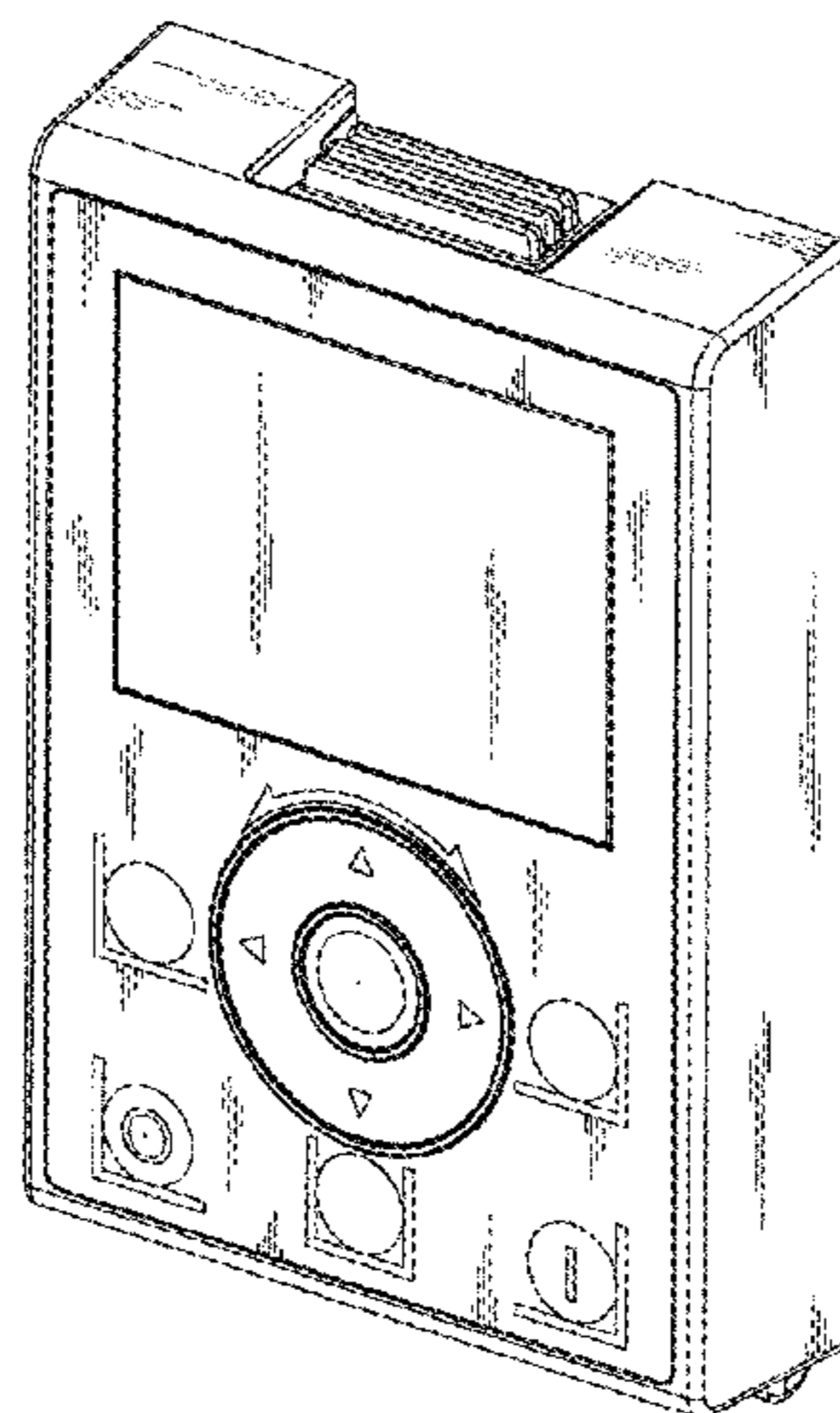
(57) **CLAIM**

The ornamental design for an operator panel for inverter
controller for electric motors, as shown and described.

DESCRIPTION

FIG. 1 is a front view of an embodiment of an operator panel
for operator panel for inverter controller for electric motors,
showing our new design;
FIG. 2 is a rear view thereof;
FIG. 3 is a top view thereof;
FIG. 4 is a bottom view thereof;
FIG. 5 is a right side view thereof;
FIG. 6 is a left side view thereof; and,
FIG. 7 is a front and left side perspective view thereof.
The broken line showing of the operator panel is for illus-
trative purpose only and forms no part of the claimed design.

1 Claim, 7 Drawing Sheets



(56)

References Cited

U.S. PATENT DOCUMENTS

9,655,271 B2 * 5/2017 Tio H05K 7/1432
D801,939 S * 11/2017 Makela D13/162
D801,940 S * 11/2017 Aketa D13/168
D829,182 S * 9/2018 Li D13/168
2004/0056611 A1 * 3/2004 Mayhew G05B 19/409
318/16
2010/0079096 A1 * 4/2010 Braun G05B 19/042
318/494
2013/0073770 A1 * 3/2013 Woltring G05B 19/0423
710/303
2017/0077831 A1 * 3/2017 Yanagimoto H05K 7/1432

OTHER PUBLICATIONS

Inorea, 3 phase inverters ; prior to May 24, 2018; 1pg.; https://www.google.com/search?q=inverter+controller+for+electric+motors&hl=en&biw=1536&bih=813&source=Int&tbs=cdr%3A1%2Ccd_min%3A%2Ccd_max%3A5%2F24%2F2018&tbm=isch#imgdii=kFDDrFzcaFVmdM:&imgsrc=Zs-Mvn2iYO_2PM:&spf=1557427021214.*

* cited by examiner

FIG 1

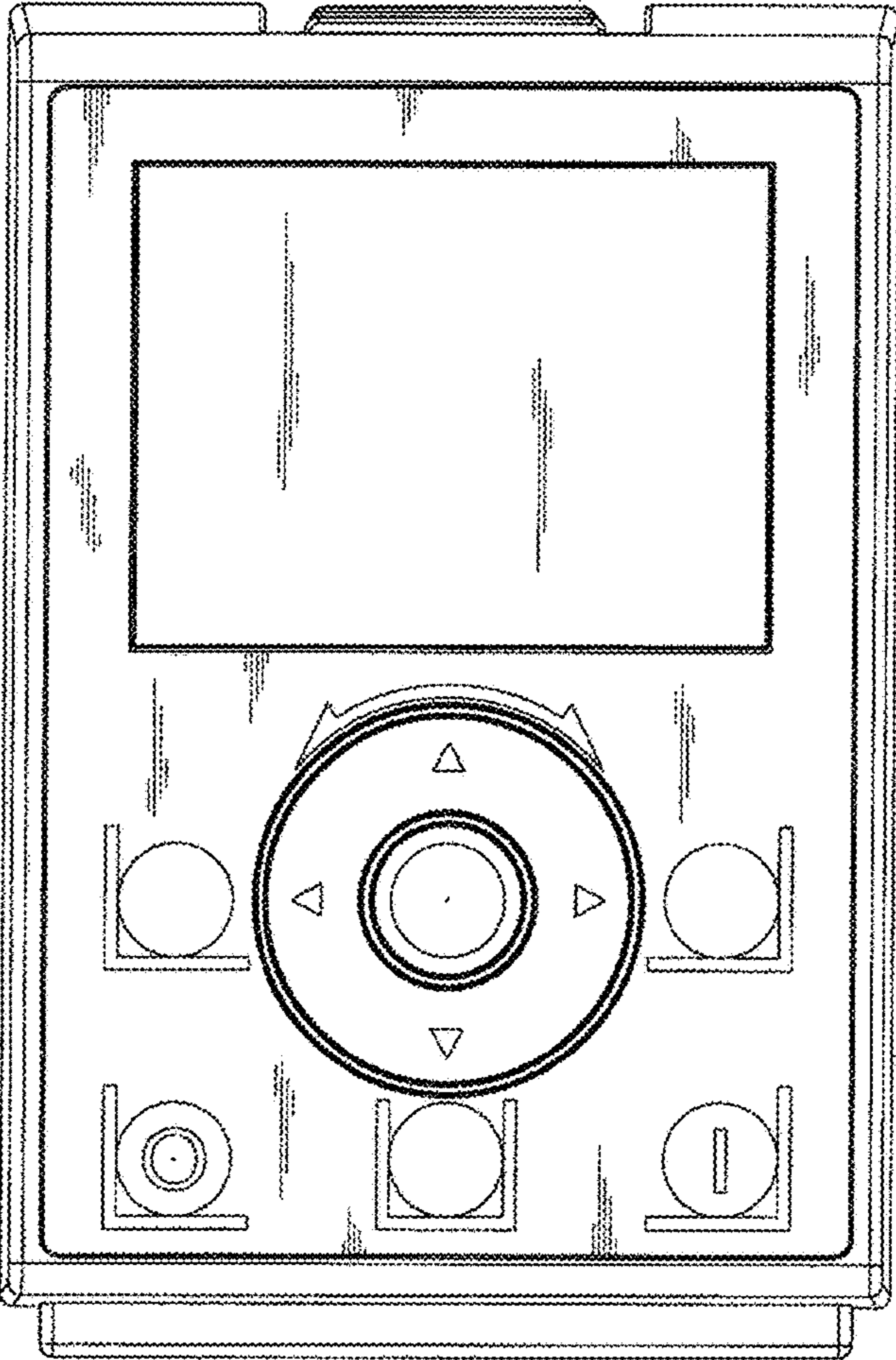


FIG 2

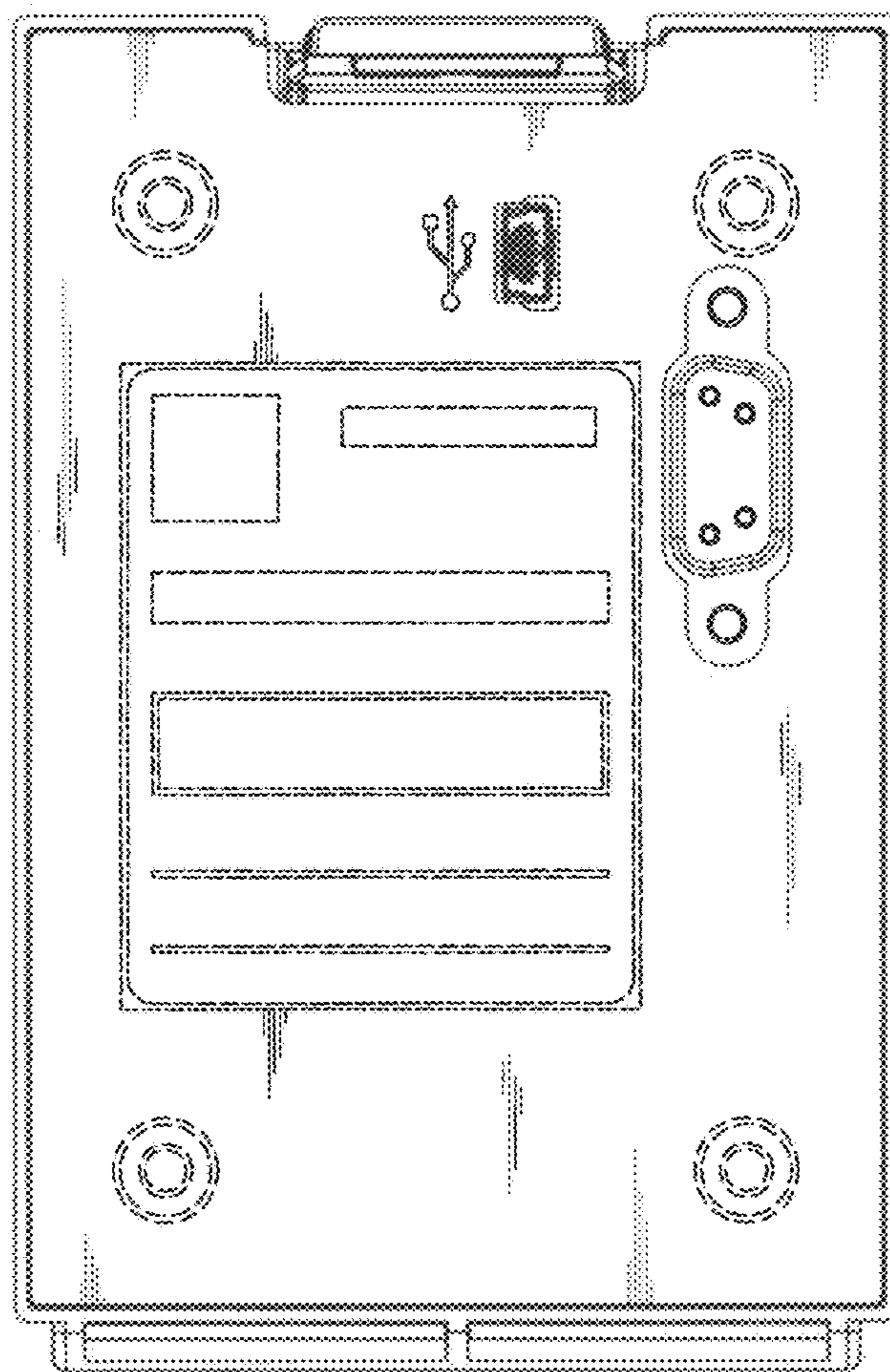


FIG 3

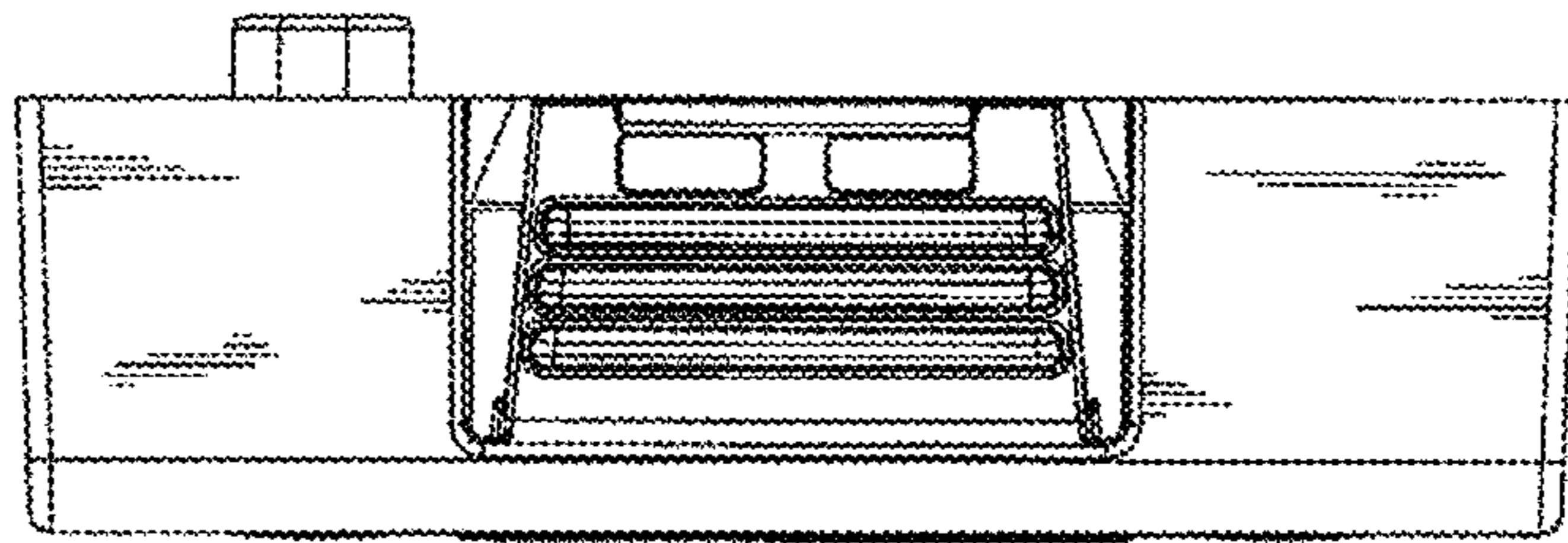


FIG 4

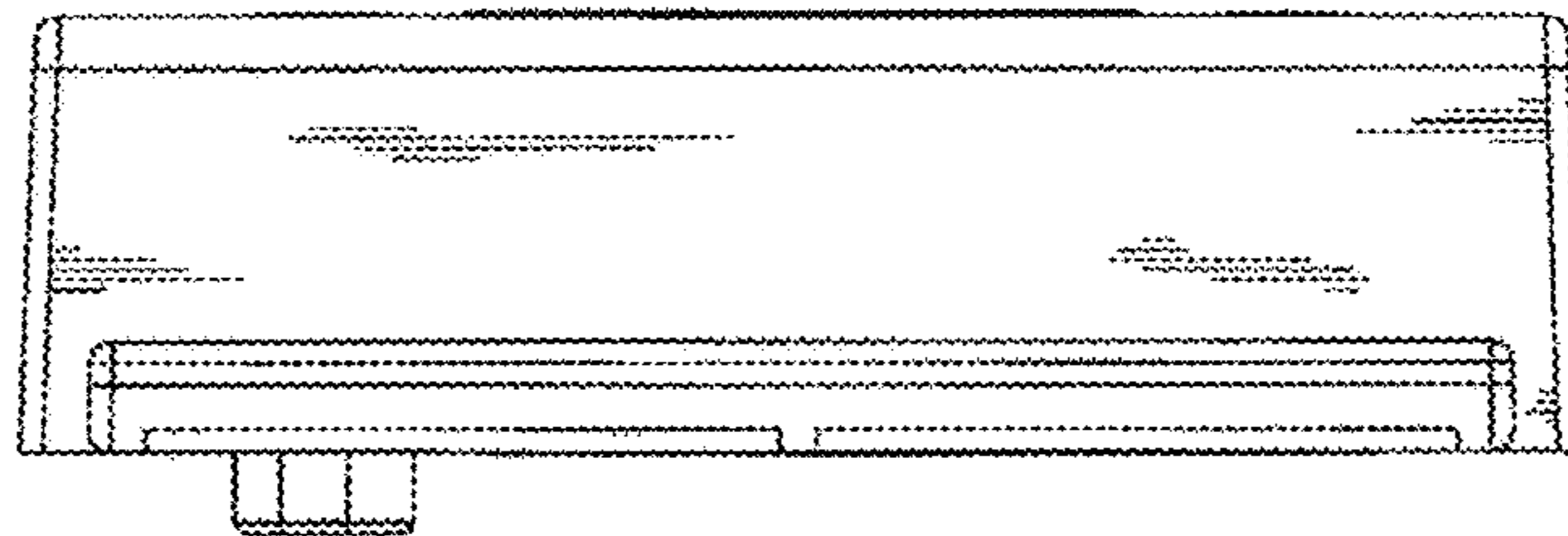


FIG 5

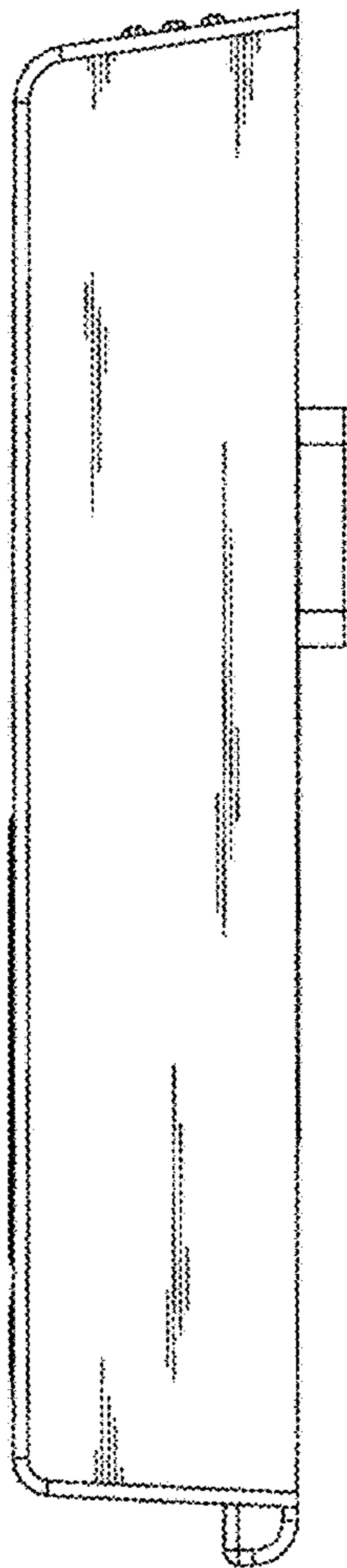


FIG 6

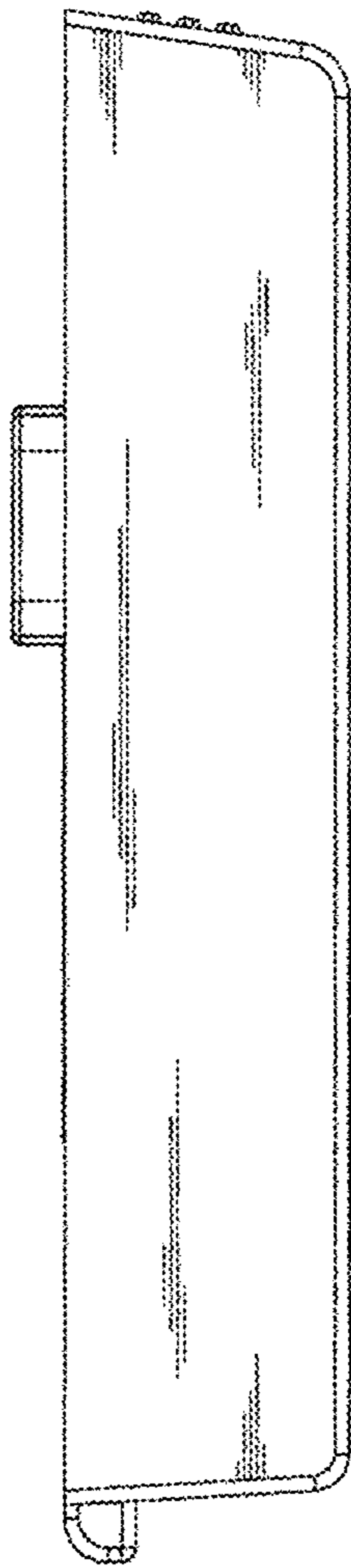


FIG 7

