

US00D862398S

(12) **United States Design Patent** (10) **Patent No.:** **US D862,398 S**
Schindler (45) **Date of Patent:** **** *Oct. 8, 2019**

(54) **BUTTON BASED ACTUATOR**
(71) Applicant: **nextLAP GmbH**, Munich (DE)
(72) Inventor: **Marc Schindler**, Ingolstadt (DE)
(73) Assignee: **NEXTLAP GMBH** (DE)
(*) Notice: This patent is subject to a terminal disclaimer.
(**) Term: **15 Years**
(21) Appl. No.: **29/615,370**
(22) Filed: **Aug. 29, 2017**
(51) **LOC (12) Cl.** **13-03**
(52) **U.S. Cl.**
USPC **D13/162**
(58) **Field of Classification Search**
USPC D13/158, 162, 171; D14/188, 194, 214, D14/226
CPC H05K 5/00; H05K 5/0017; H05K 5/02; H05K 5/0247; H05K 5/03; H05K 5/06; G06F 1/18; G06F 1/181
See application file for complete search history.

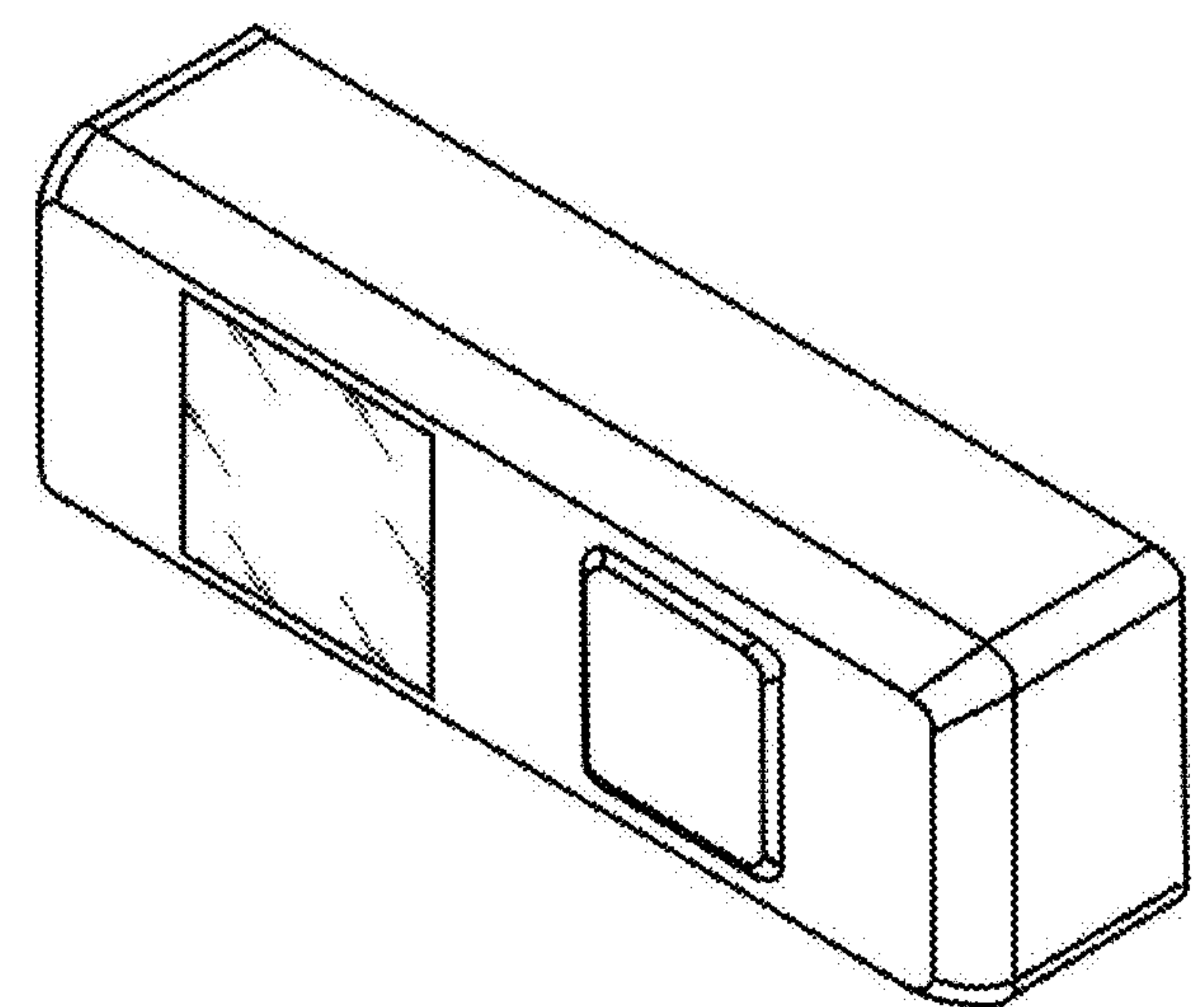
(56) **References Cited**
U.S. PATENT DOCUMENTS
D220,268 S 3/1971 Kliewer et al.
D513,737 S 1/2006 Riley
D574,332 S 8/2008 Filban et al.
D597,529 S 8/2009 Tan et al.
D603,807 S 11/2009 Mehnert et al.
D630,193 S 1/2011 Bennett
D720,303 S 12/2014 Fischer
D721,350 S 1/2015 Kim
D727,306 S * 4/2015 Yong D14/188
D741,268 S 10/2015 Schmid
D742,851 S 11/2015 Matthews
D768,580 S * 10/2016 Thompson D13/164
D815,052 S * 4/2018 Schindler D13/162
2008/0259548 A1 10/2008 Kim et al.

2010/0125393 A1* 5/2010 Jarvinen G06F 3/0202 701/48
2010/0230549 A1* 9/2010 Probasco H05K 5/0017 248/27.1
2015/0331441 A1 11/2015 Ho et al.
2016/0278219 A1 9/2016 Ito
* cited by examiner
Primary Examiner — Selina Sikder
(74) *Attorney, Agent, or Firm* — Riverside Law LLP

(57) **CLAIM**
I claim the ornamental design for a button based actuator, as shown and described.

DESCRIPTION
FIG. 1 is a perspective view of a button based actuator.
FIG. 2 is a front view thereof;
FIG. 3 is a back view thereof;
FIG. 4 is top view thereof;
FIG. 5 is a bottom view thereof;
FIG. 6 is a right view thereof;
FIG. 7 is a left view thereof;
FIG. 8 is a perspective view thereof with broken lines showing holding clips attached to the button based actuator.
FIG. 9 is a perspective view thereof with broken lines showing a support rail to which the button based actuator is attached;
FIG. 10 is a perspective view of thereof with broken lines showing a first exemplary logo on the button;
FIG. 11 is a perspective view thereof with broken lines showing a second exemplary logo on the button;
FIG. 12 is a perspective view thereof with broken lines showing a third exemplary logo on the button;
FIG. 13 is a perspective view thereof with broken lines showing a fourth exemplary logo on the button; and,
FIG. 14 is a perspective view thereof with broken lines showing a fifth exemplary logo on the button.
The broken lines form no part of the claimed design.

1 Claim, 10 Drawing Sheets



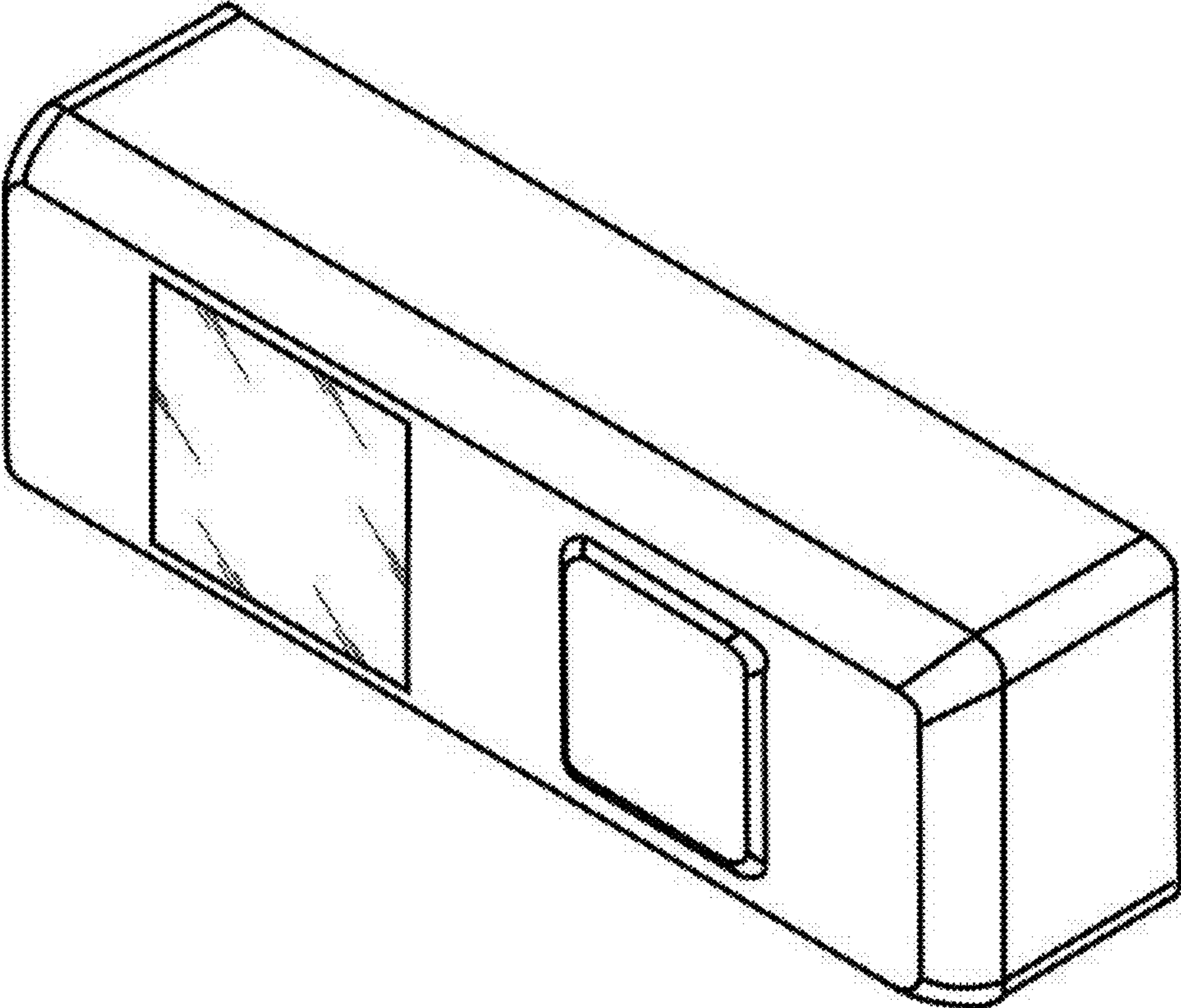


FIG. 1

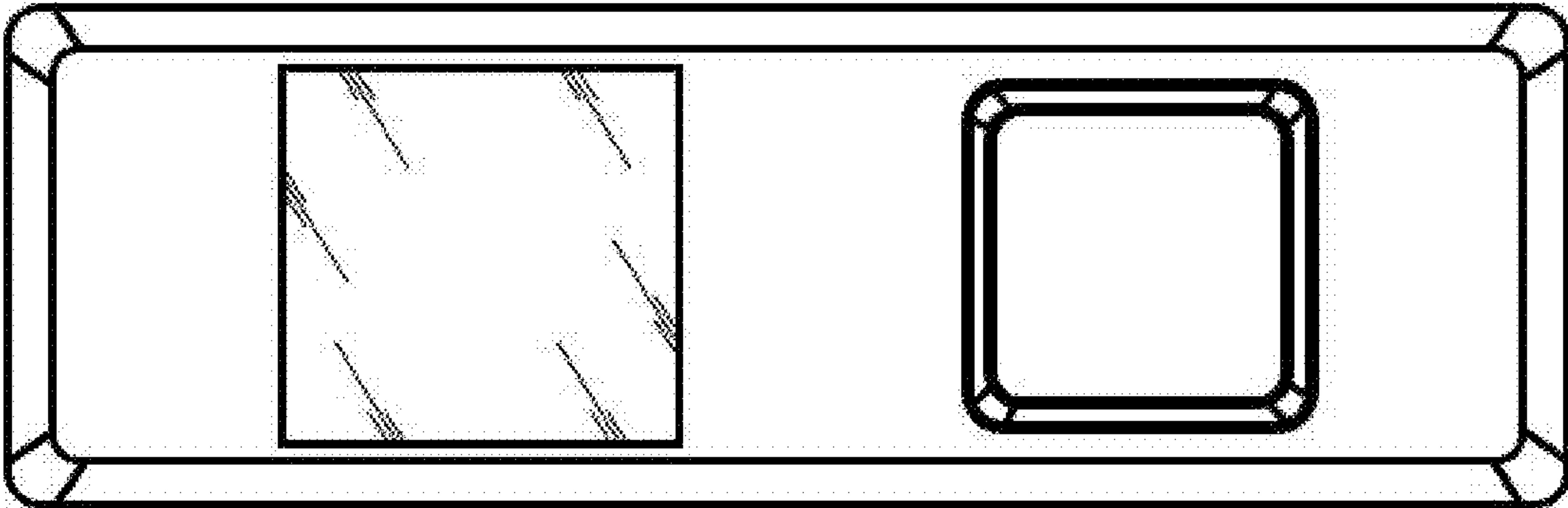


FIG. 2



FIG. 3

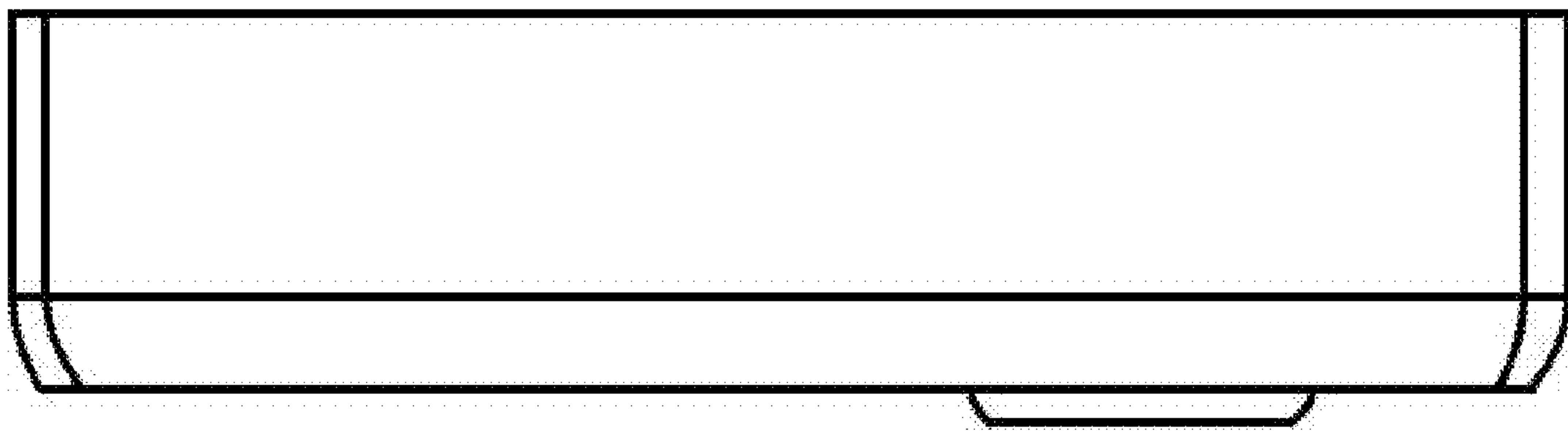


FIG. 4

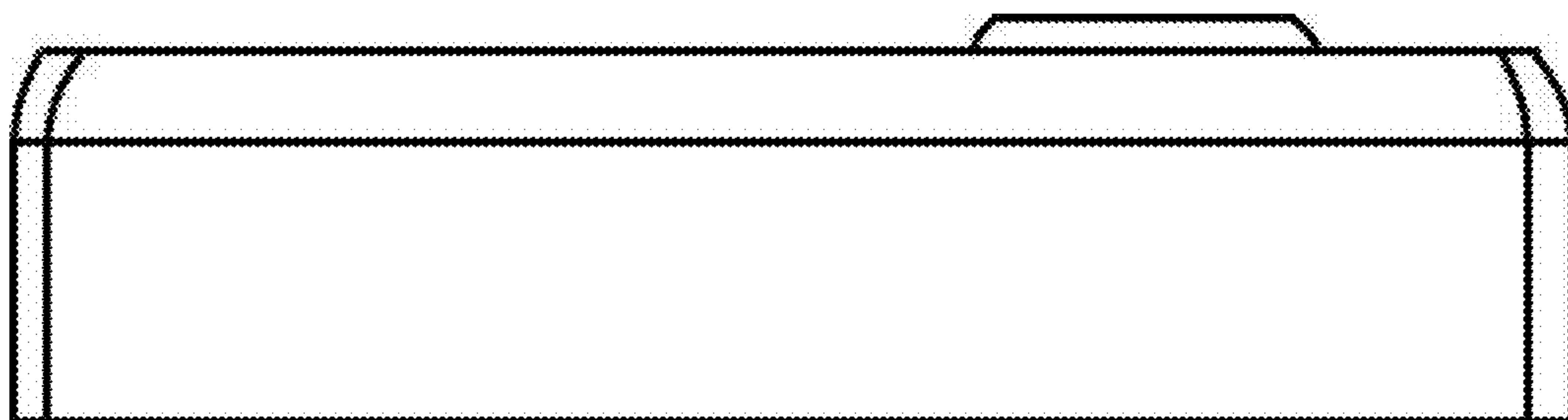


FIG. 5

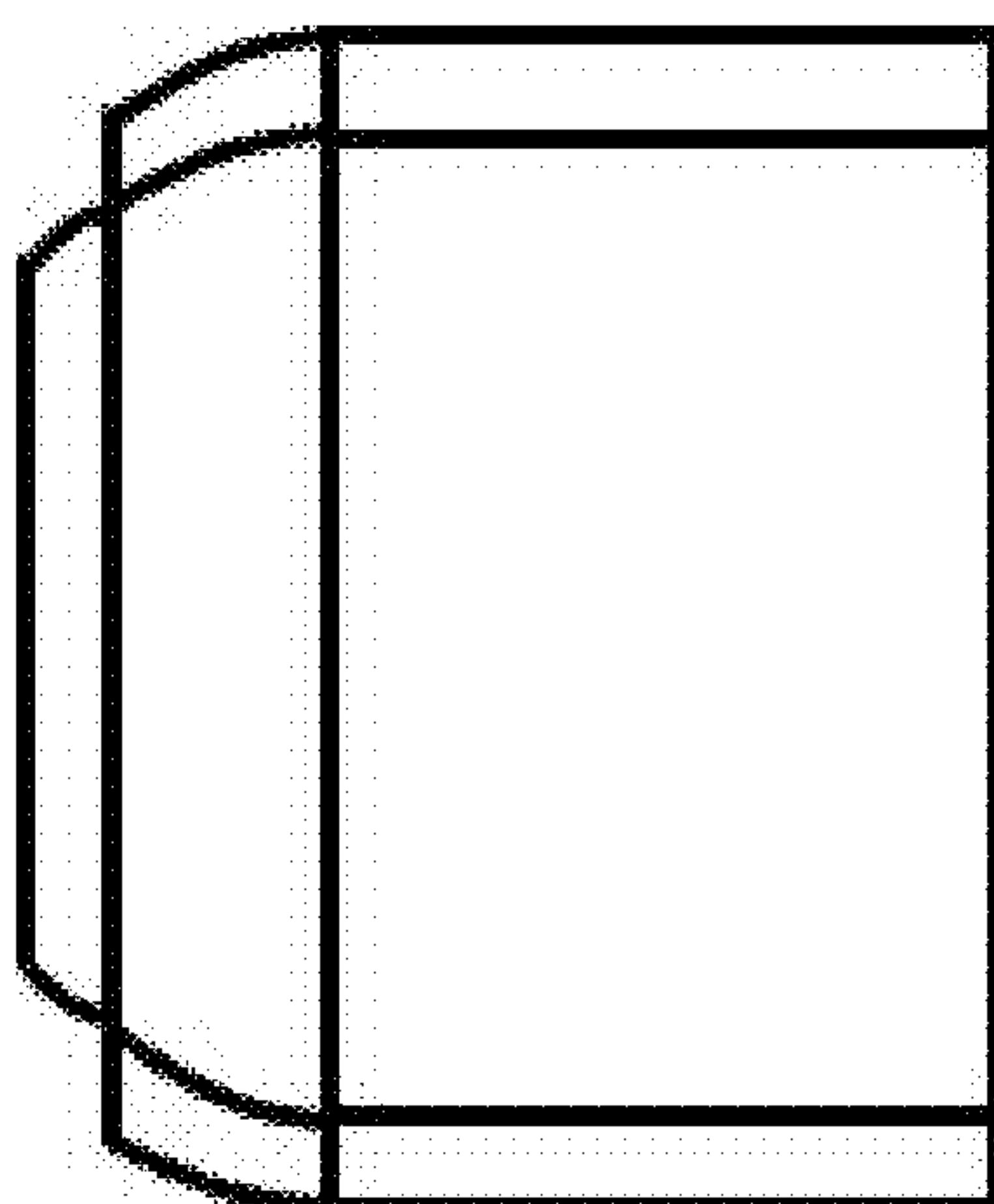


FIG. 6

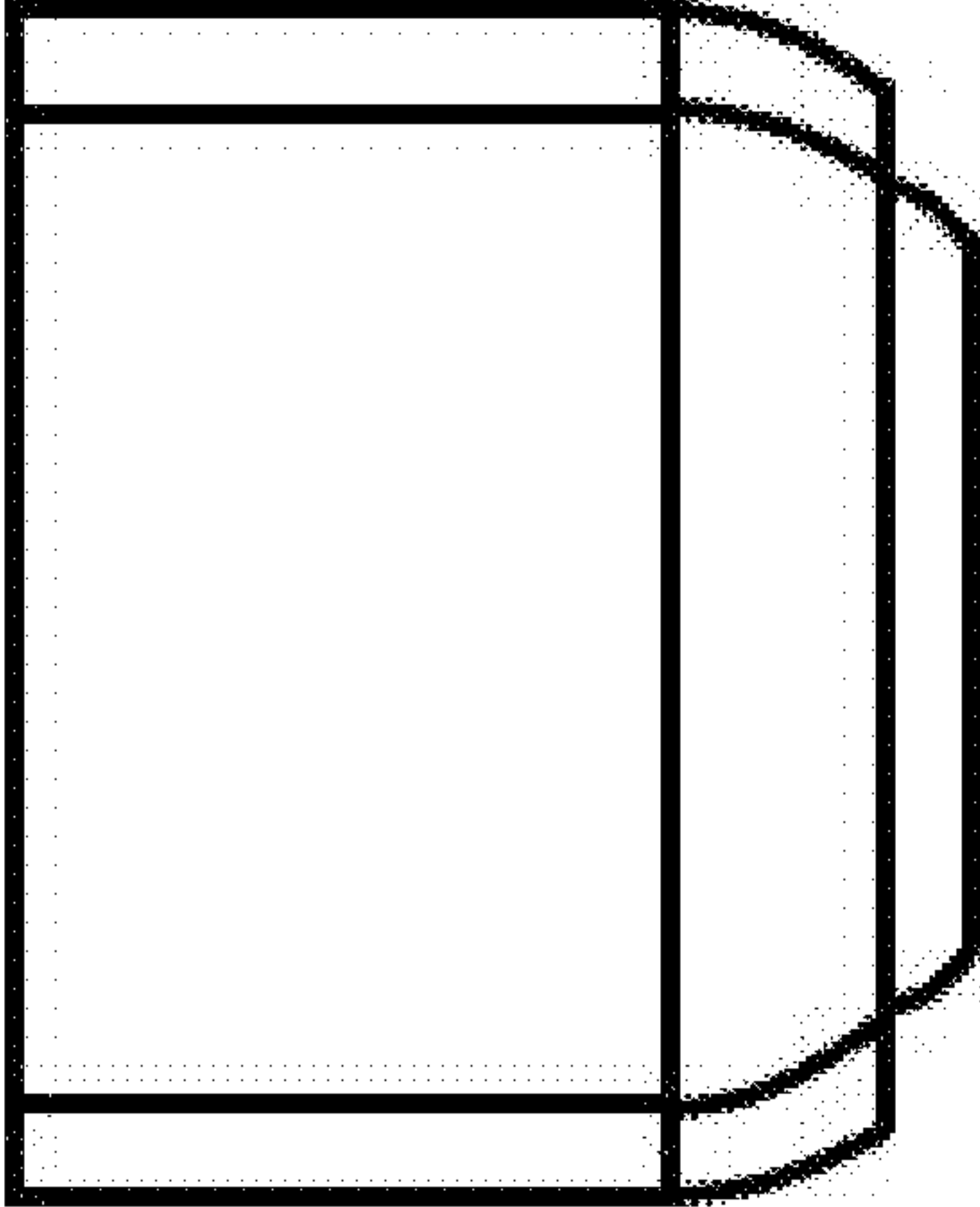


FIG. 7

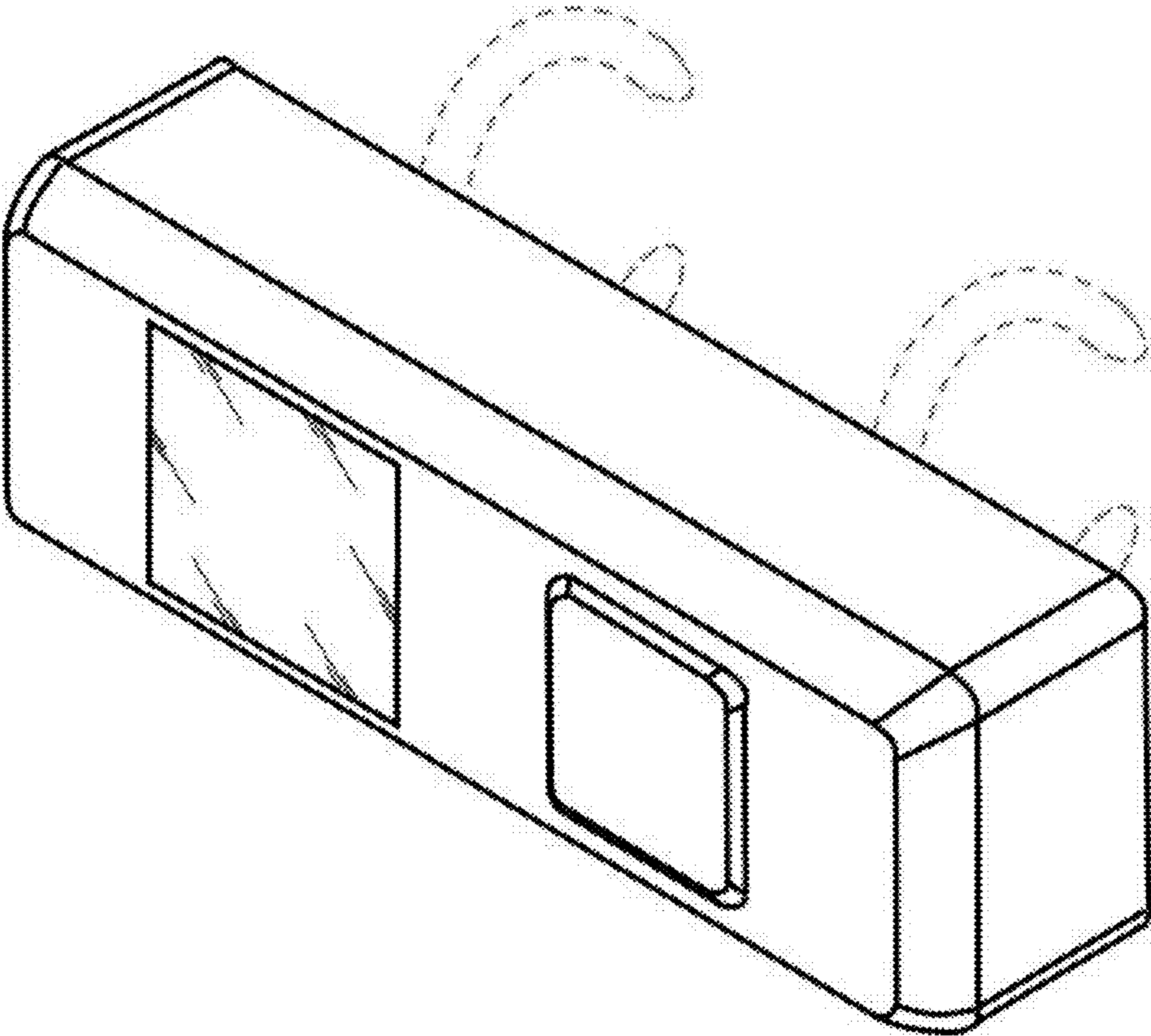


FIG. 8

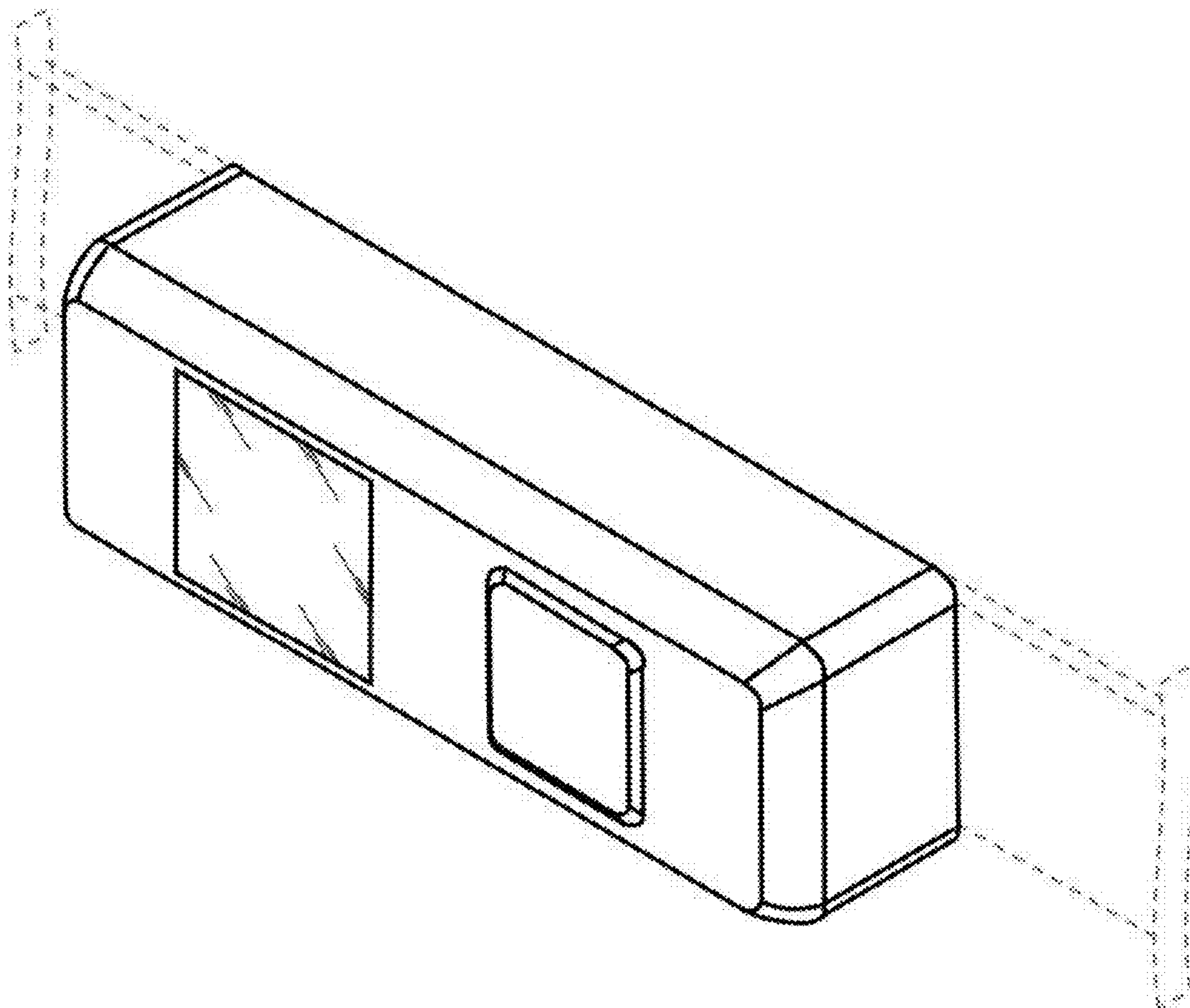


FIG. 9

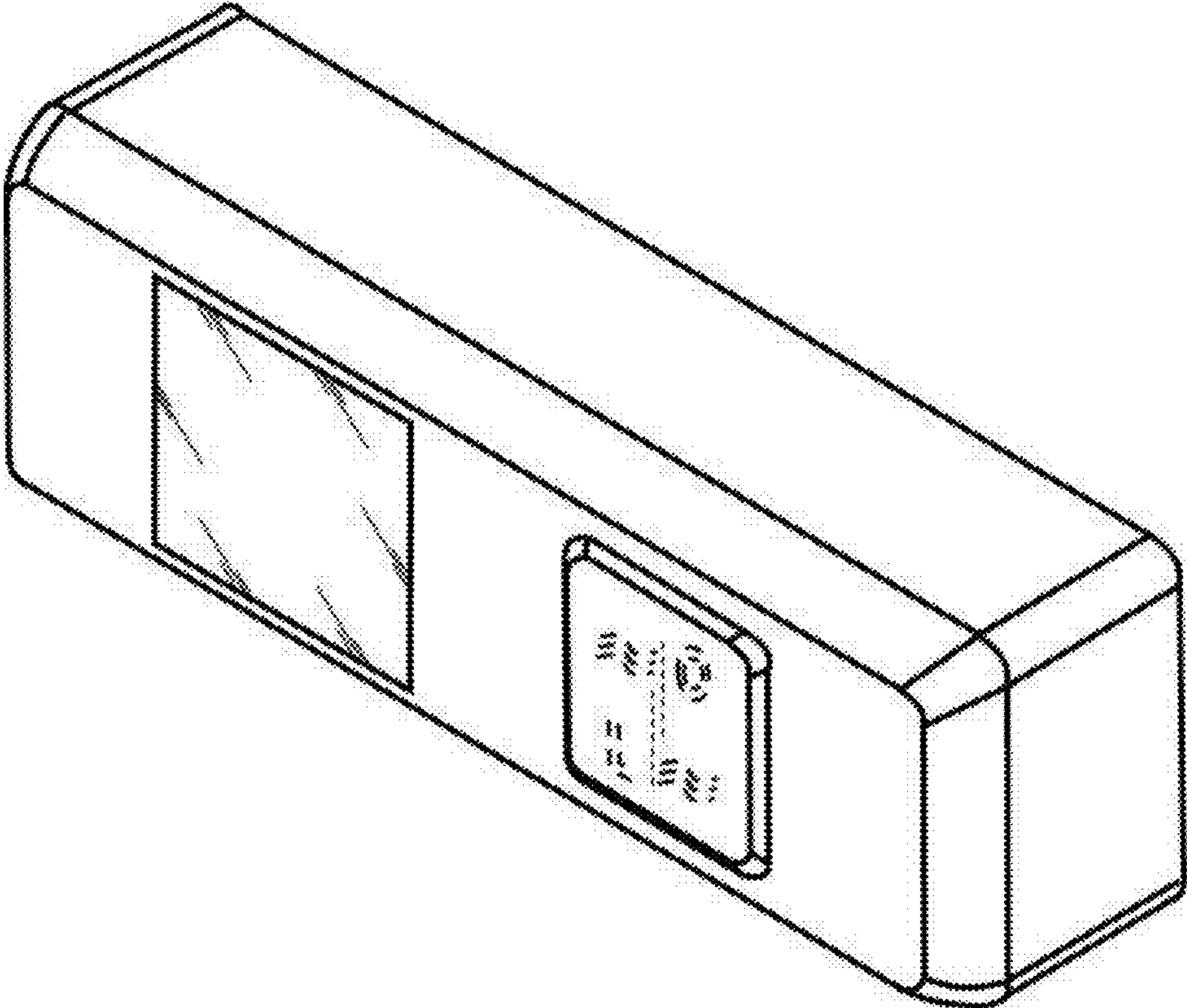


FIG. 10

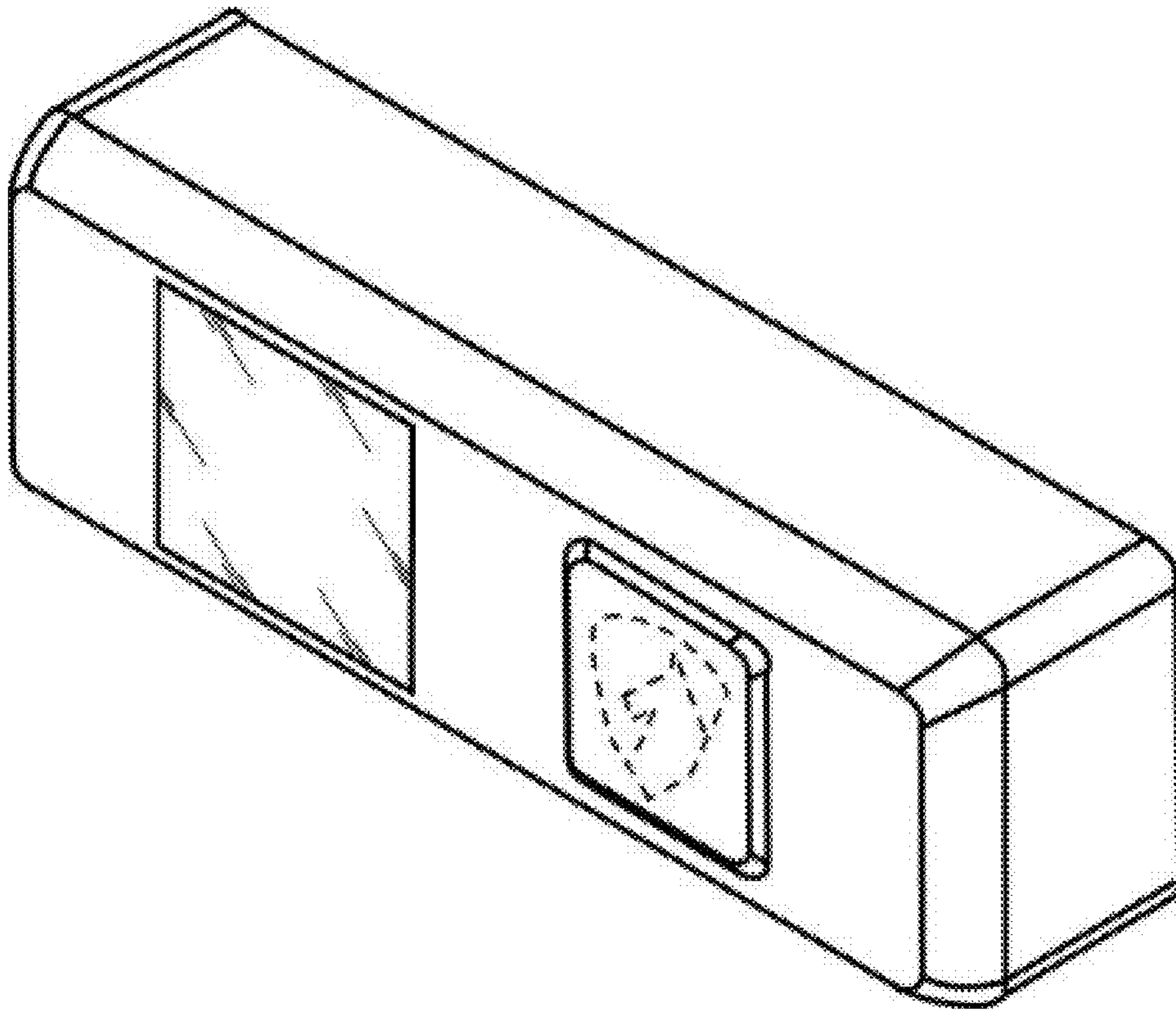


FIG. 11

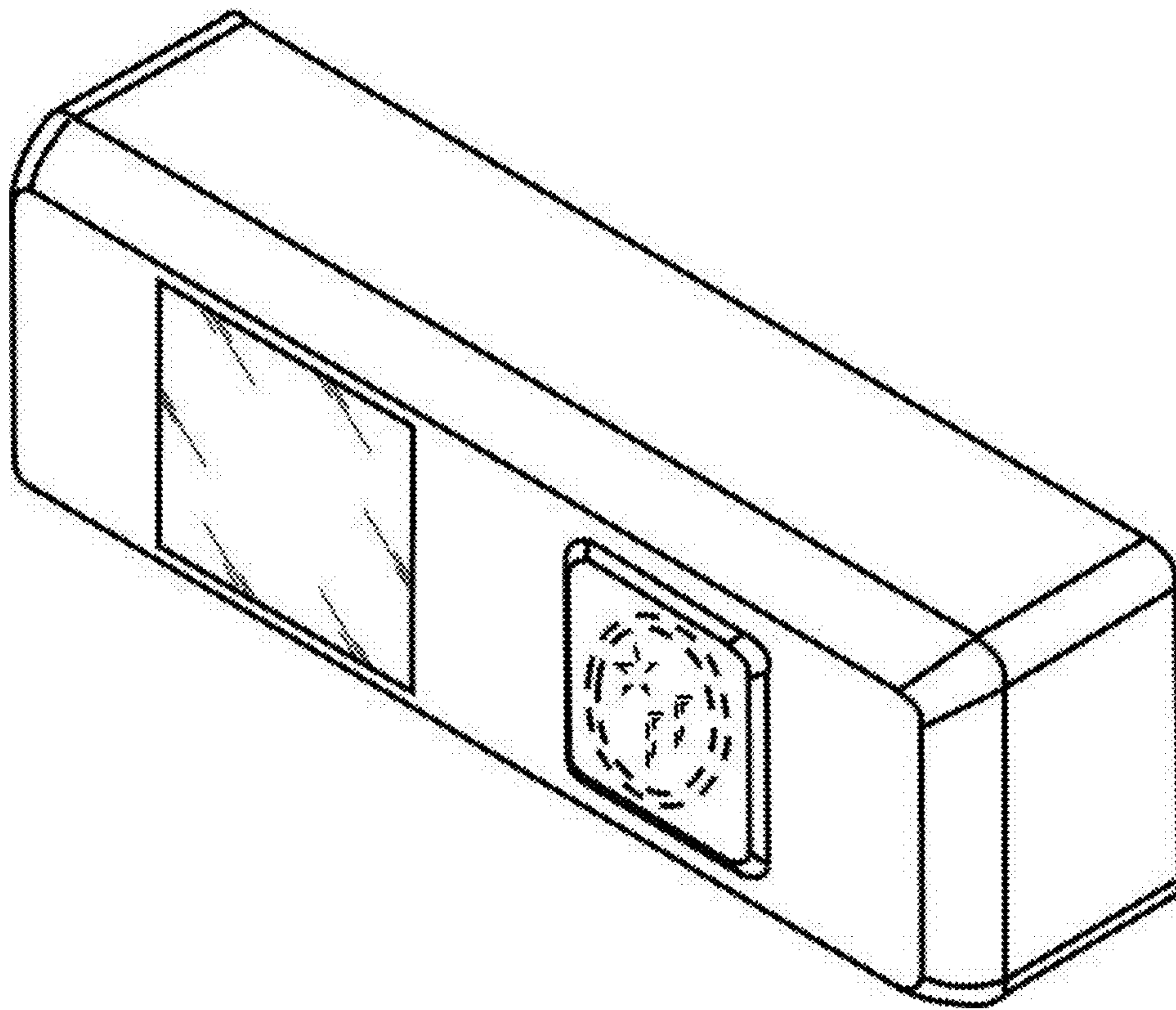


FIG. 12

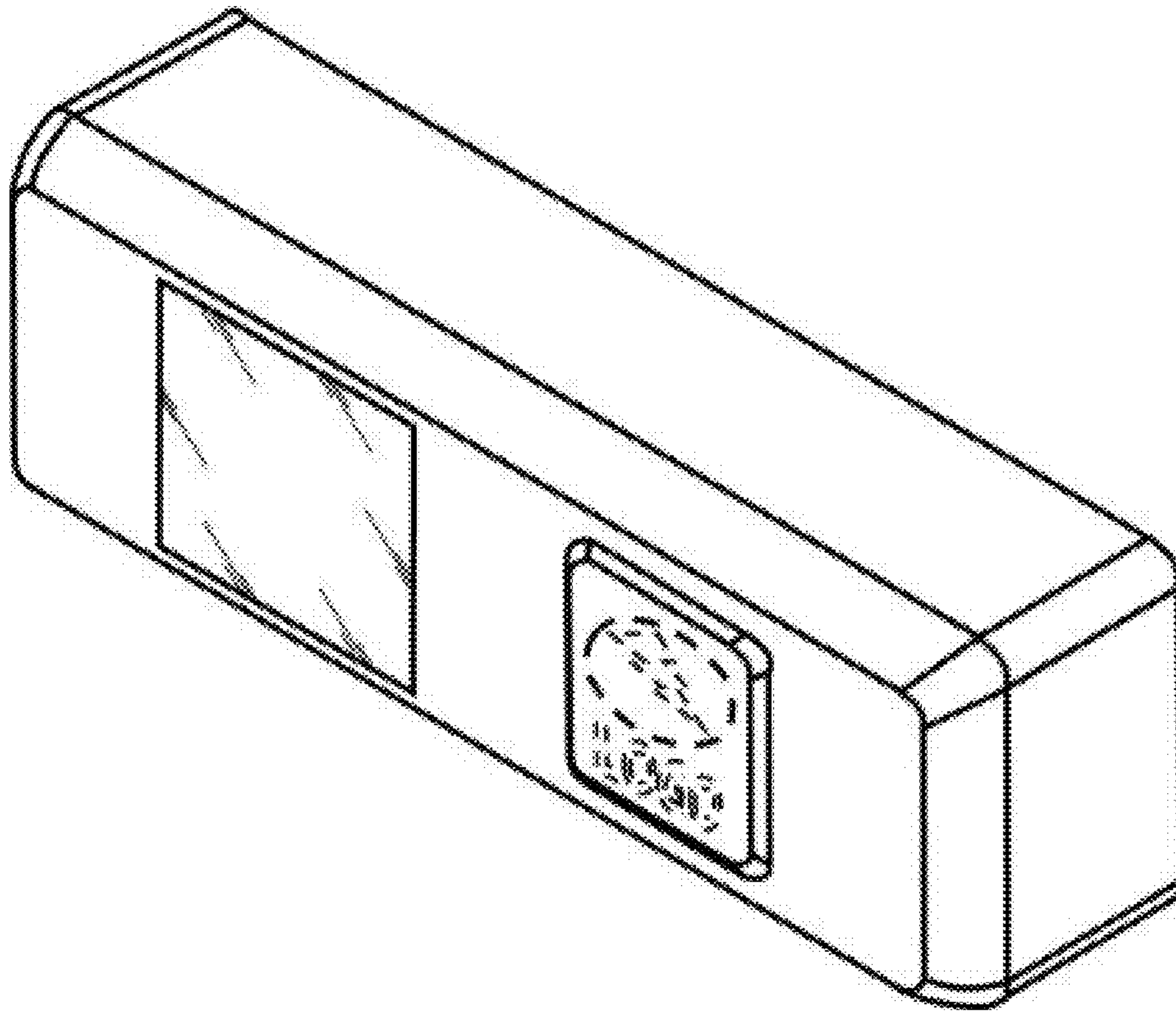


FIG. 13

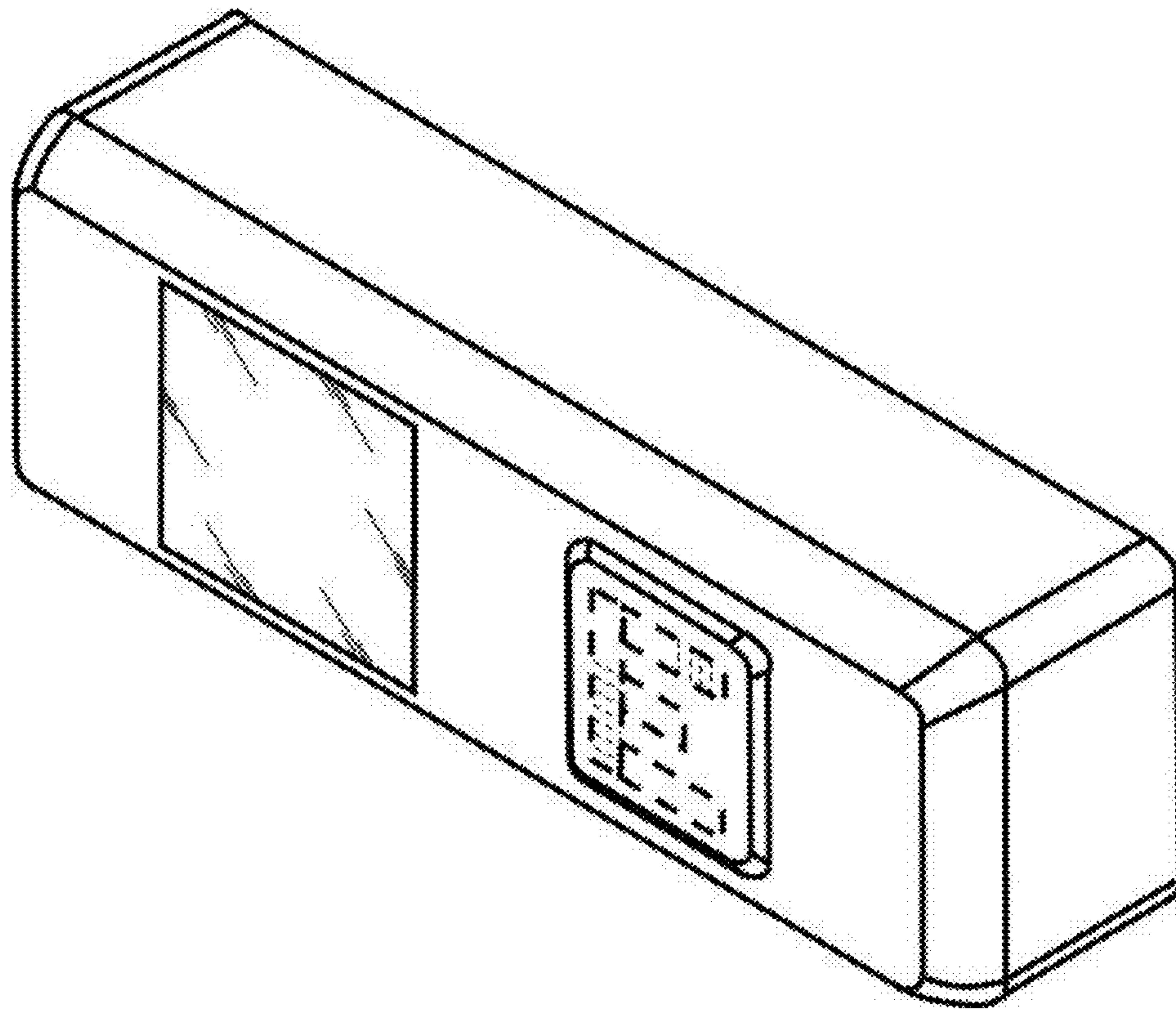


FIG. 14