



US00D862397S

(12) **United States Design Patent**
Sakai et al.

(10) **Patent No.:** **US D862,397 S**

(45) **Date of Patent:** **** Oct. 8, 2019**

- (54) **FUSE** 3,654,696 A * 4/1972 Wechsler H01H 69/02
29/623
- (71) Applicant: **PACIFIC ENGINEERING CORP.,** 3,829,808 A * 8/1974 Blewitt H01H 85/0456
Gifu-Ken (JP) 337/159
- (72) Inventors: **Kengo Sakai, Ogaki (JP); Hironori** D419,532 S * 1/2000 Hibayashi D13/161
Shimizu, Ogaki (JP) 6,067,004 A * 5/2000 Hibayashi H01H 85/044
337/186
- (73) Assignee: **PACIFIC ENGINEERING CORP.,** 6,275,135 B1 * 8/2001 Hibayashi H01H 85/044
Gifu-Ken (JP) 337/186

(Continued)

(**) Term: **15 Years**

Primary Examiner — Barbara Fox

Assistant Examiner — Nathaniel D. Buckner

(21) Appl. No.: **35/505,283**

(74) *Attorney, Agent, or Firm* — Grogan, Tuccillo & Vanderleeden, LLP

(22) Filed: **Jan. 12, 2018**

(80) **Hague Agreement Data**

Int. Filing Date: **Jan. 12, 2018**

Int. Reg. No.: **DM/099385**

Int. Reg. Date: **Jan. 12, 2018**

Int. Reg. Pub. Date: **Jul. 13, 2018**

(57) **CLAIM**

The ornamental design for a fuse, as shown and described.

(30) **Foreign Application Priority Data**

DESCRIPTION

Jul. 21, 2017 (JP) 2017-015736

(51) **LOC (12) Cl.** **13-03**

(52) **U.S. Cl.**
USPC **D13/161**

(58) **Field of Classification Search**

USPC D13/161, 178, 160, 173, 177, 100, 102,
D13/119, 123, 146, 149, 151, 154;
D8/14, 394, 395, 499, 52; D12/97

CPC H01H 2085/209; H01H 85/2035; H01H
85/2045; H01H 85/10; H01H 85/13;
H01H 85/15

See application file for complete search history.

- 1. Fuse
- 1.1 : Perspective
- 1.2 : Front
- 1.3 : Back
- 1.4 : Top
- 1.5 : Bottom
- 1.6 : Right
- 1.7 : Left
- 1.8 : Cross-sectional
- 1.9 : Cross-sectional
- 1.10 : Cross-sectional

The broken lines in the figures form no part of the claimed design; the fine lines on the surface of the article depict three-dimensional shape of the surface; fig. 1.8 is a cross-sectional view cut vertically at the center of the front view; fig. 1.9 is a cross-sectional view cut horizontally at the center of the front view; fig. 1.10 is a cross-sectional view cut vertically at the center of the right view.

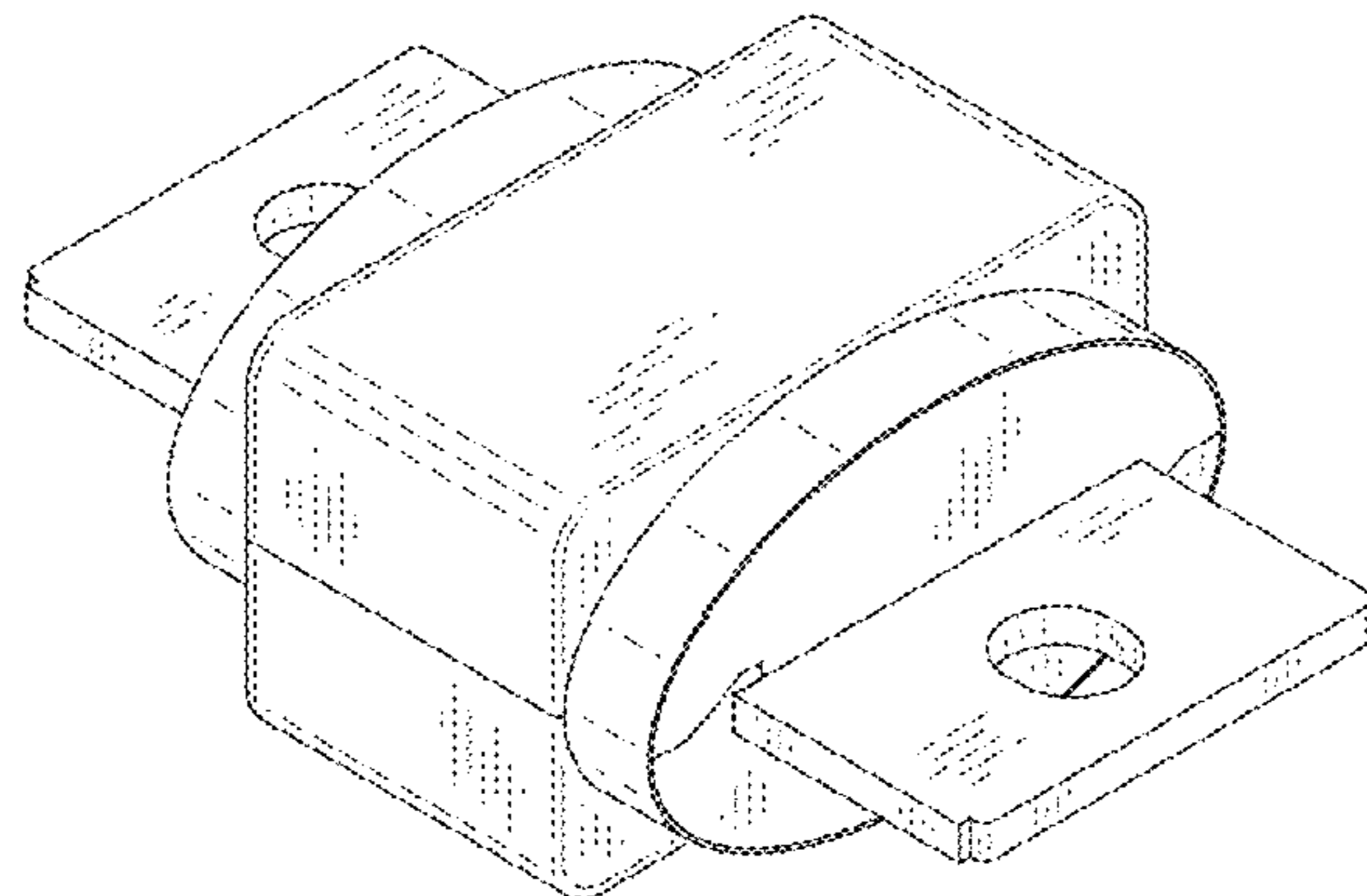
(56) **References Cited**

U.S. PATENT DOCUMENTS

502,541 A * 8/1893 Thalacker H01H 85/044
337/227

2,168,791 A * 8/1939 Carney H01H 85/153
337/229

1 Claim, 10 Drawing Sheets



(56)

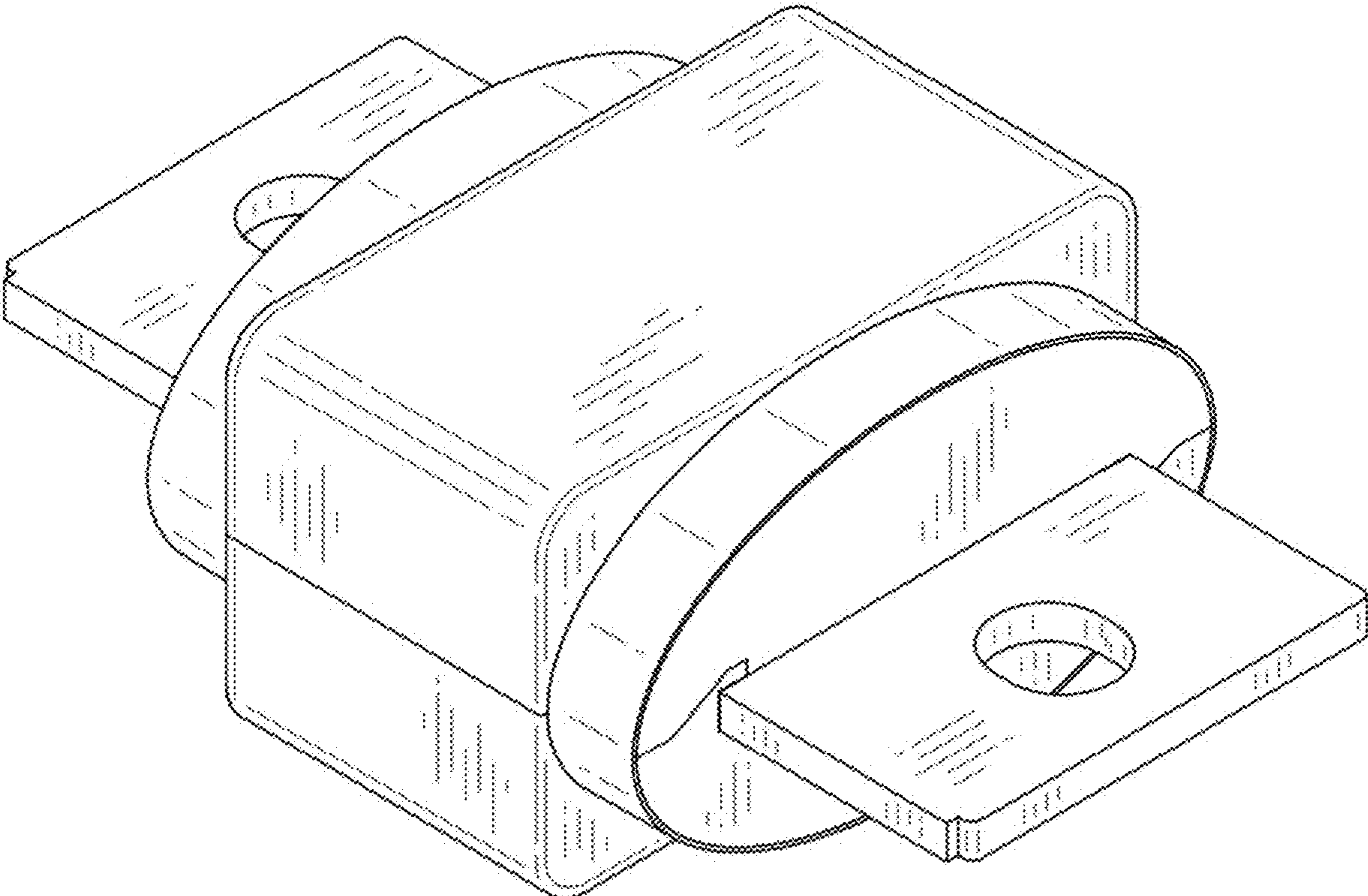
References Cited

U.S. PATENT DOCUMENTS

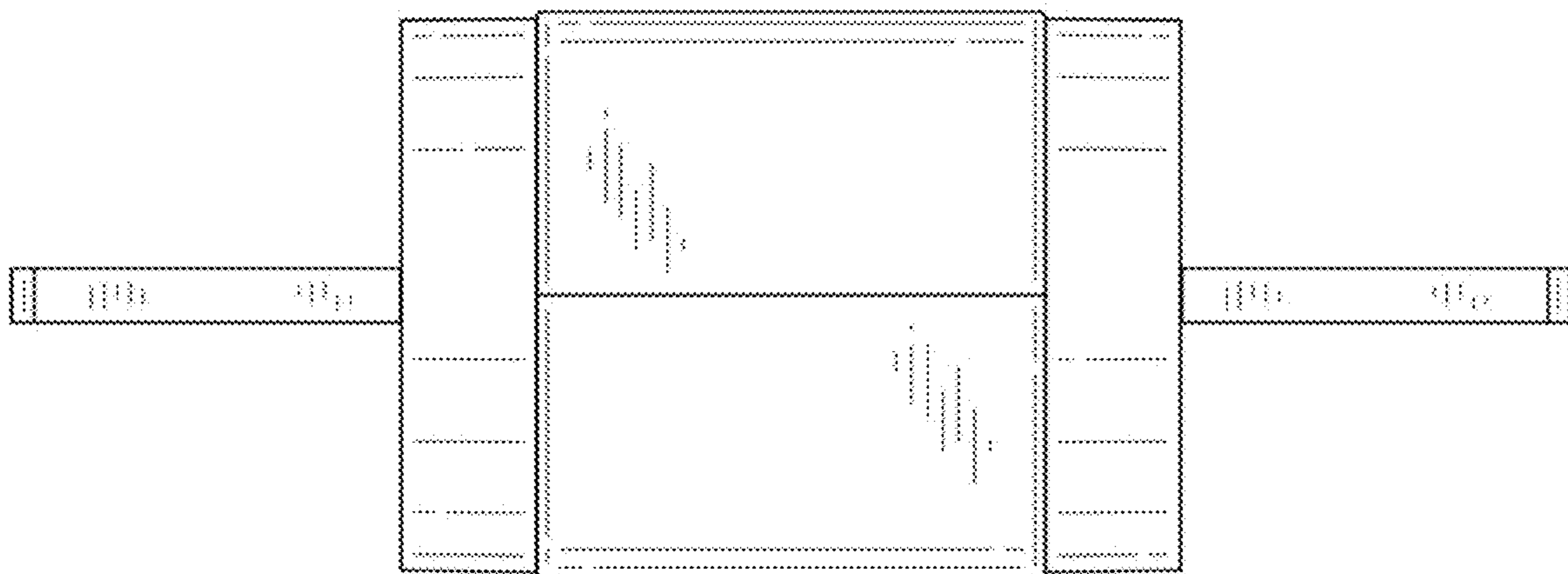
6,448,882 B1 * 9/2002 Inaba H01H 85/044
337/159
D475,685 S * 6/2003 Cheng D13/161
D518,792 S * 4/2006 Ohta D13/161
8,587,401 B2 * 11/2013 Tong H01H 85/044
337/157
9,196,445 B2 * 11/2015 Douglass H01H 85/0013

* cited by examiner

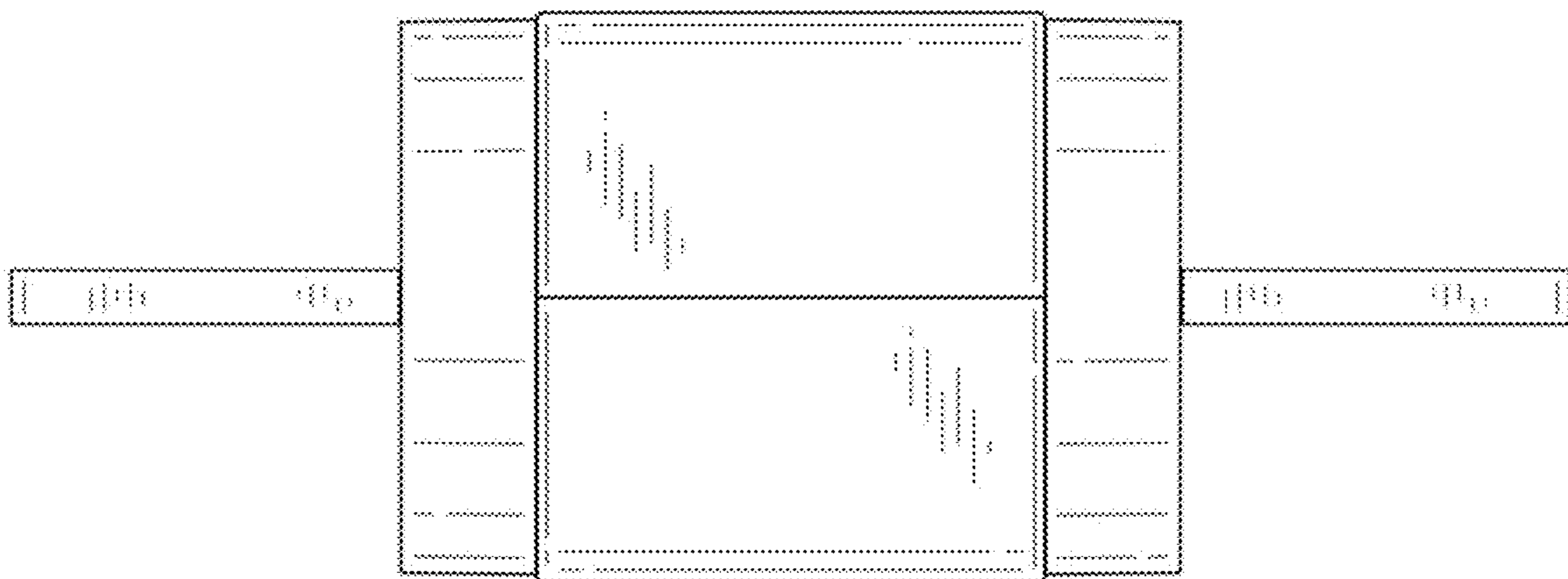
1.1



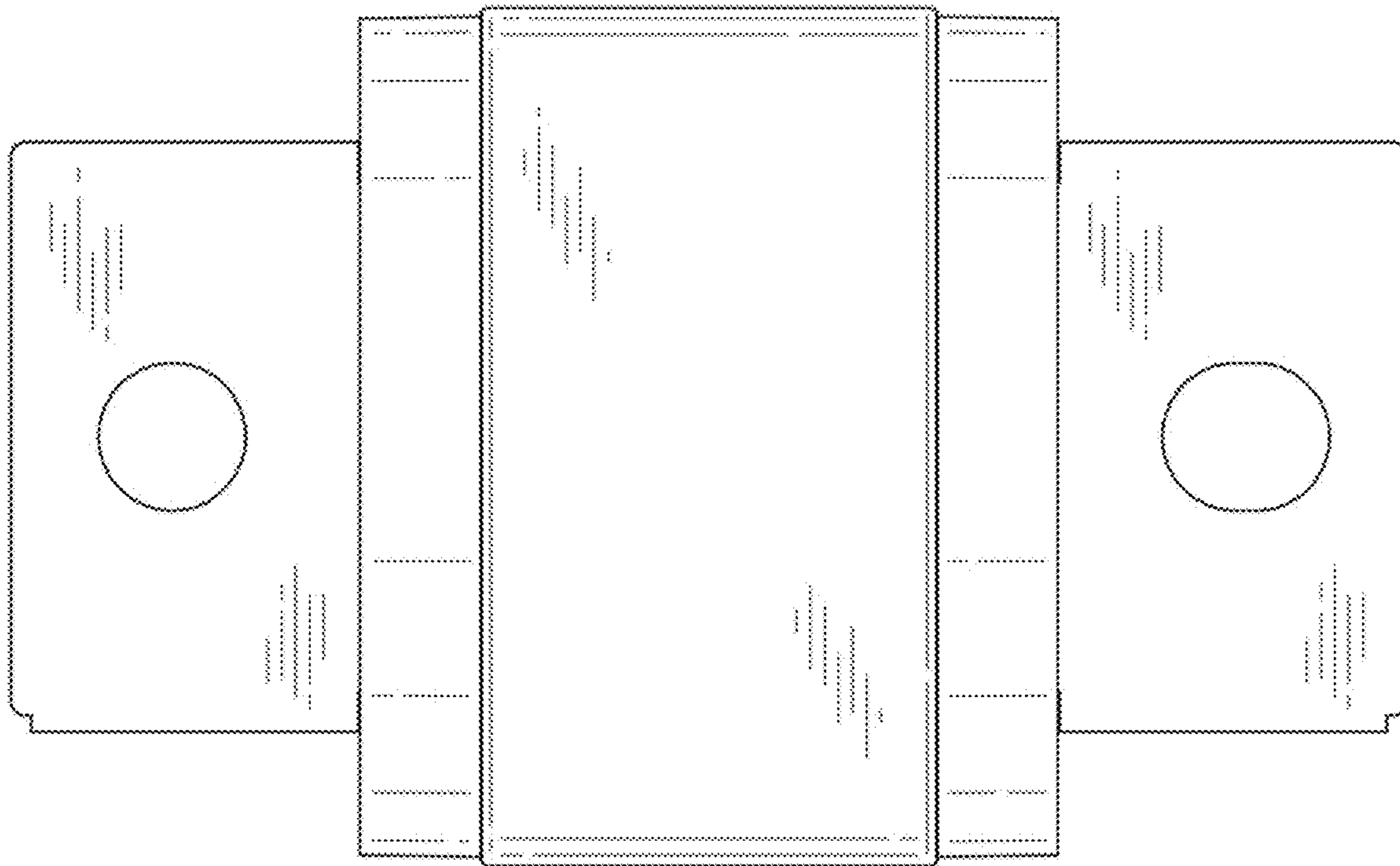
1.2



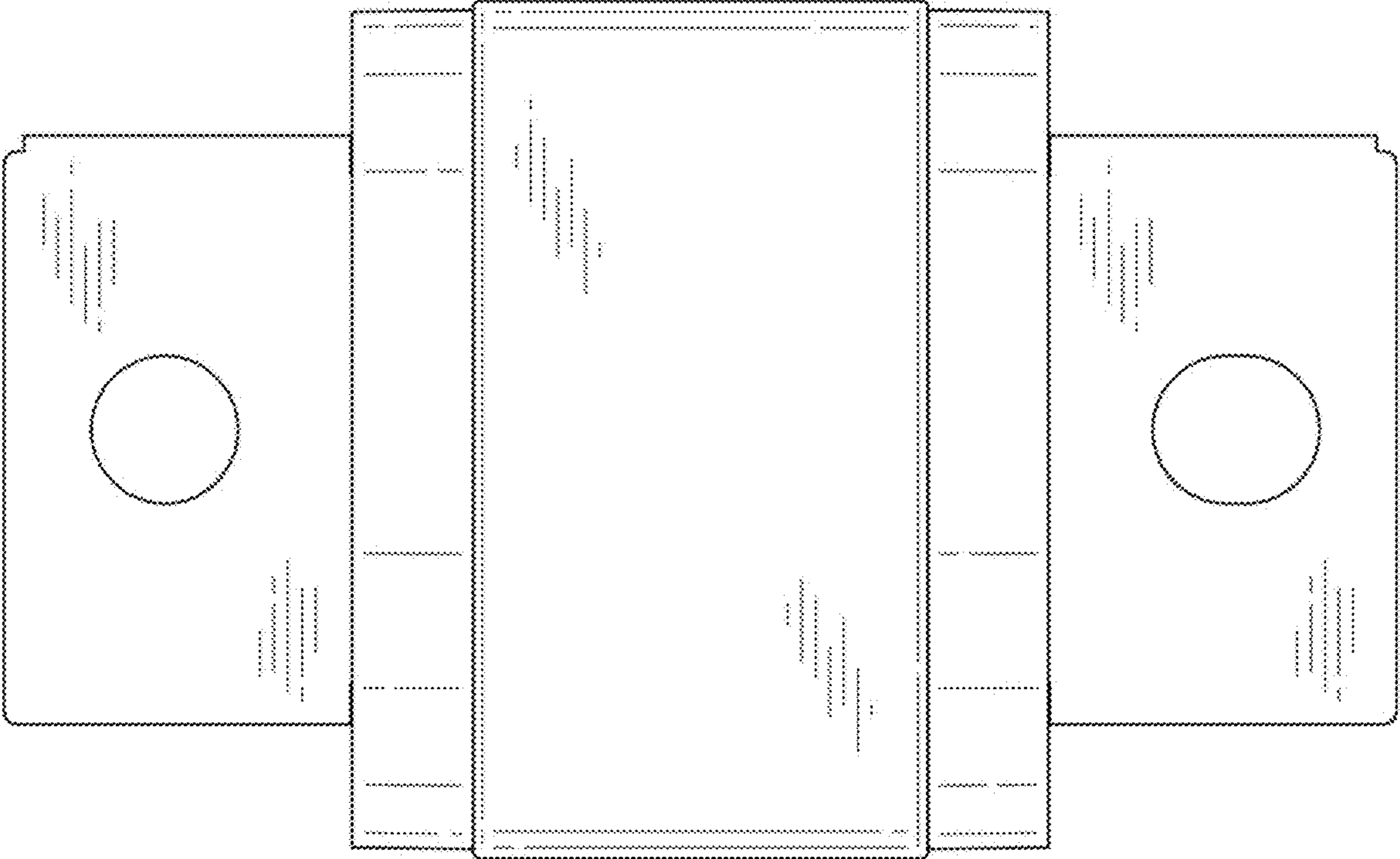
1.3



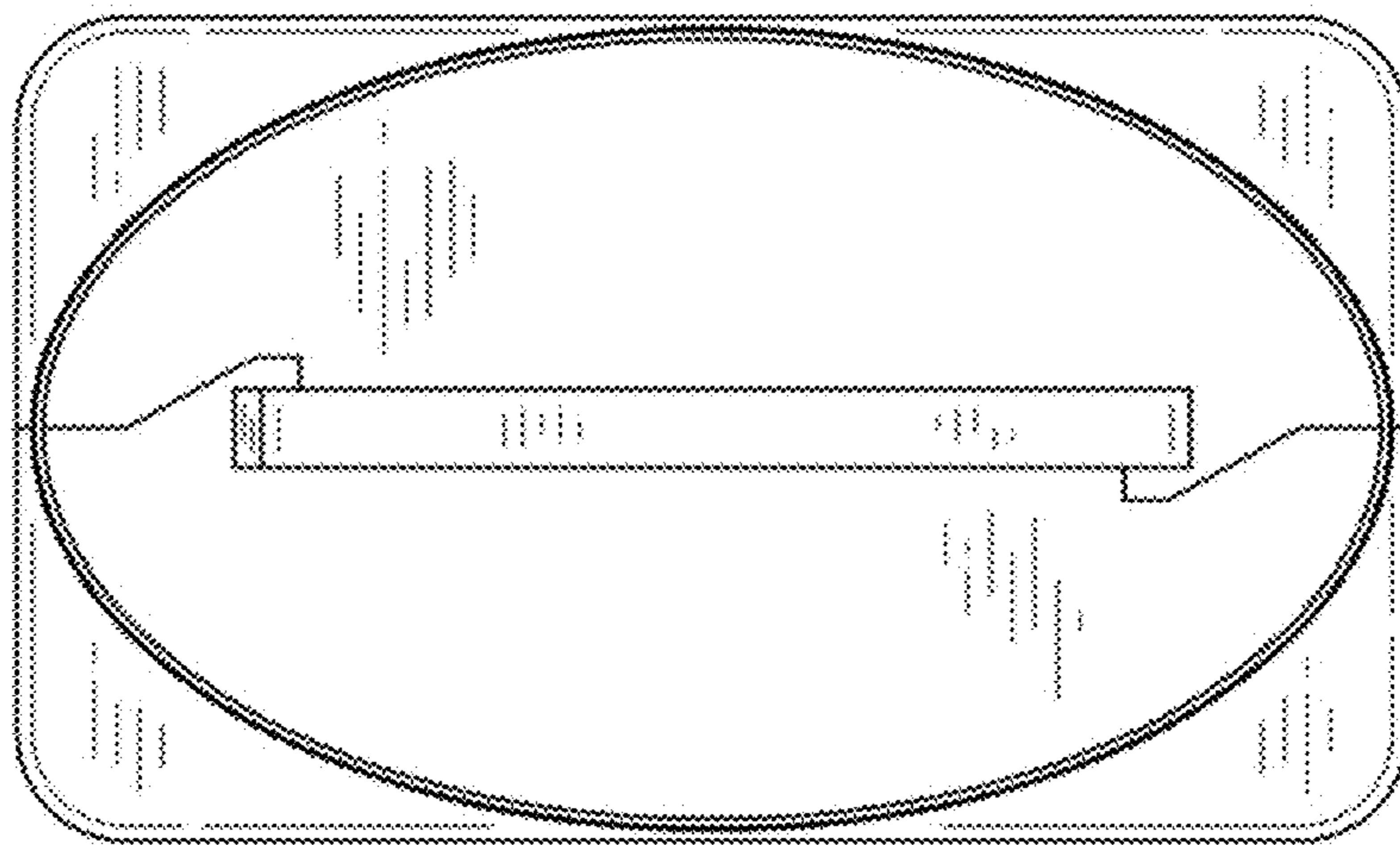
1.4



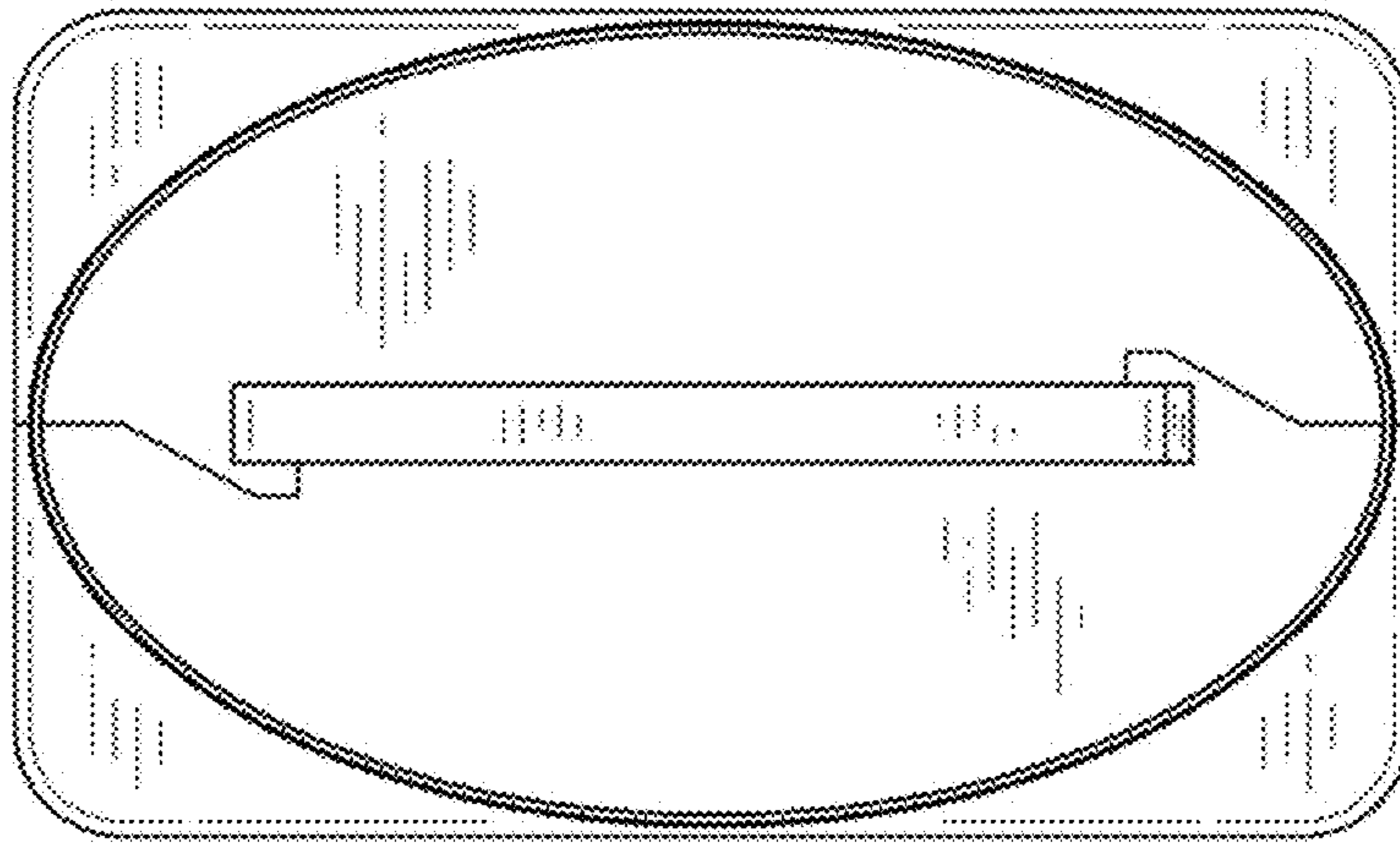
1.5



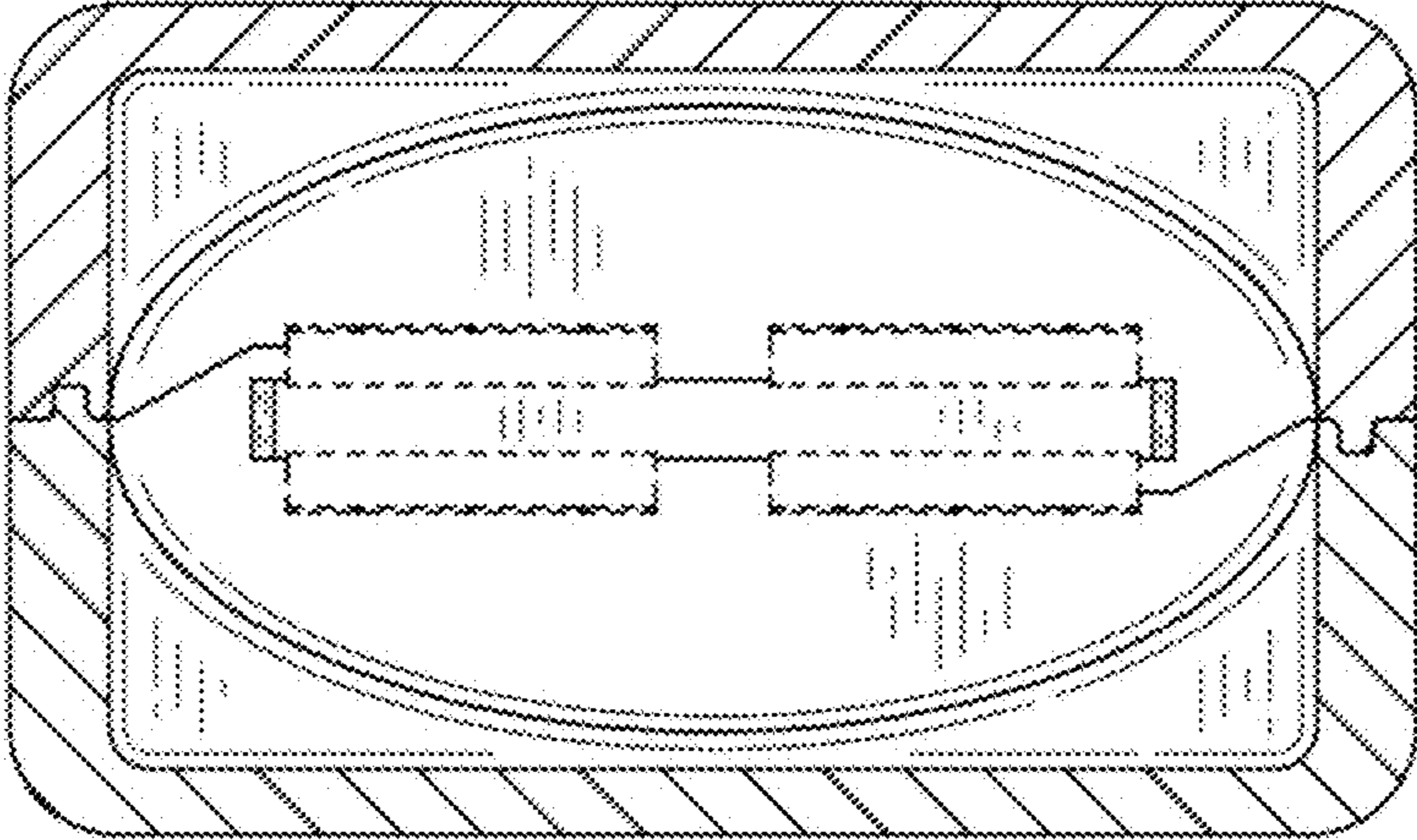
1.6



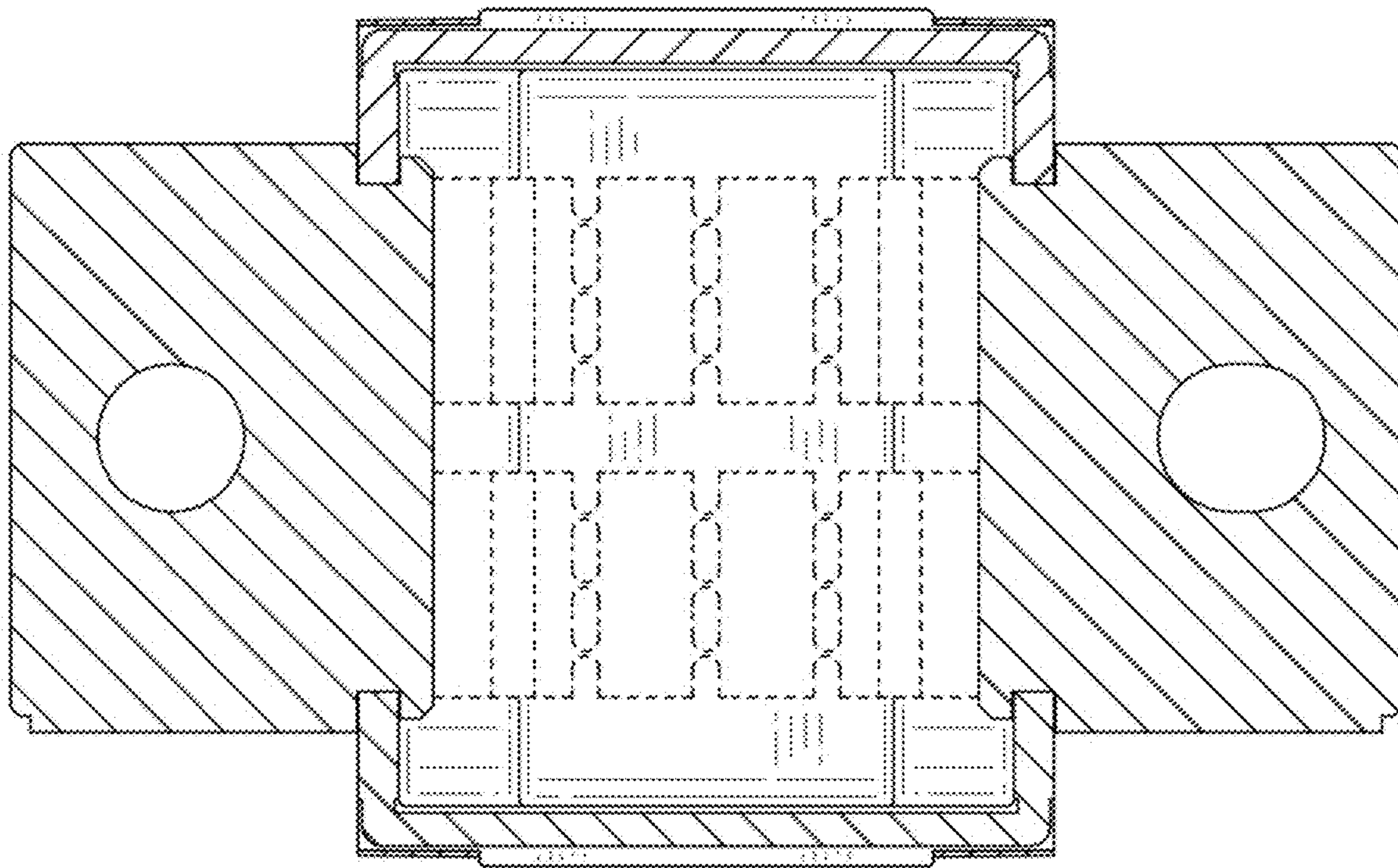
1.7



1.8



1.9



1.10

