



US00D862396S

(12) **United States Design Patent**
Tomczak et al.

(10) **Patent No.:** **US D862,396 S**

(45) **Date of Patent:** **** Oct. 8, 2019**

(54) **SWITCHING DEVICE**

(71) Applicant: **Siemens Aktiengesellschaft**, Munich (DE)

(72) Inventors: **Christoph Tomczak**, Erlangen (DE);
Vincent Holger Weckert, Nuremberg (DE)

(73) Assignee: **Siemens Aktiengesellschaft**, Munich (DE)

(**) Term: **15 Years**

(21) Appl. No.: **29/634,259**

(22) Filed: **Jan. 19, 2018**

(51) **LOC (12) Cl.** **13-03**

(52) **U.S. Cl.**
USPC **D13/160**

(58) **Field of Classification Search**
USPC D13/158, 160, 162, 177
CPC H01H 3/227; H01H 71/04; H01H 71/70;
H01H 2071/006; H01H 9/0264; H02B
11/12; H02B 11/127; H02B 11/133
See application file for complete search history.

(56) **References Cited**

U.S. PATENT DOCUMENTS

D367,265 S *	2/1996	Yamagata	D13/160
D442,146 S *	5/2001	Greenberg	D13/160
6,590,482 B2 *	7/2003	Castonguay	H01H 1/2058 335/172
D499,700 S *	12/2004	Raabe	D13/160
D587,658 S *	3/2009	Azzola	D13/160
D735,143 S *	7/2015	Huhne	D13/158
D752,524 S *	3/2016	Azzola	D13/160
D755,131 S *	5/2016	Azzola	D13/160

D761,737 S *	7/2016	Huhne	D13/158
D804,430 S *	12/2017	Besana	D13/160
D823,816 S *	7/2018	Azzola	D13/160
10,170,264 B2 *	1/2019	Mishra	H01F 7/02
2005/0109597 A1 *	5/2005	Etscheidt	H01H 9/0264 200/293
2012/0024680 A1 *	2/2012	Grunwald	H01H 9/0264 200/293
2013/0203302 A1 *	8/2013	Grunwald	H01R 4/36 439/814
2013/0220784 A1 *	8/2013	Castaneda Arriaga	H01H 71/025 200/293
2014/0151201 A1 *	6/2014	Sisley	H01H 9/0264 200/293

* cited by examiner

Primary Examiner — Selina Sikder

(74) *Attorney, Agent, or Firm* — Cozen O'Connor

(57) **CLAIM**

The ornamental design for a switching device, as shown and described.

DESCRIPTION

FIG. 1 is a front elevational view of a switching device showing our new design;
FIG. 2 is a rear elevational view thereof;
FIG. 3 is a top plan view thereof;
FIG. 4 is a bottom plan view thereof;
FIG. 5 is a right-side elevation view thereof;
FIG. 6 is left-side elevation view thereof; and,
FIG. 7 is a front, top and left-side perspective view thereof.
The broken line portions of in the drawing figures are included to show unclaimed subject matter only and form no part of the claimed design.

1 Claim, 7 Drawing Sheets

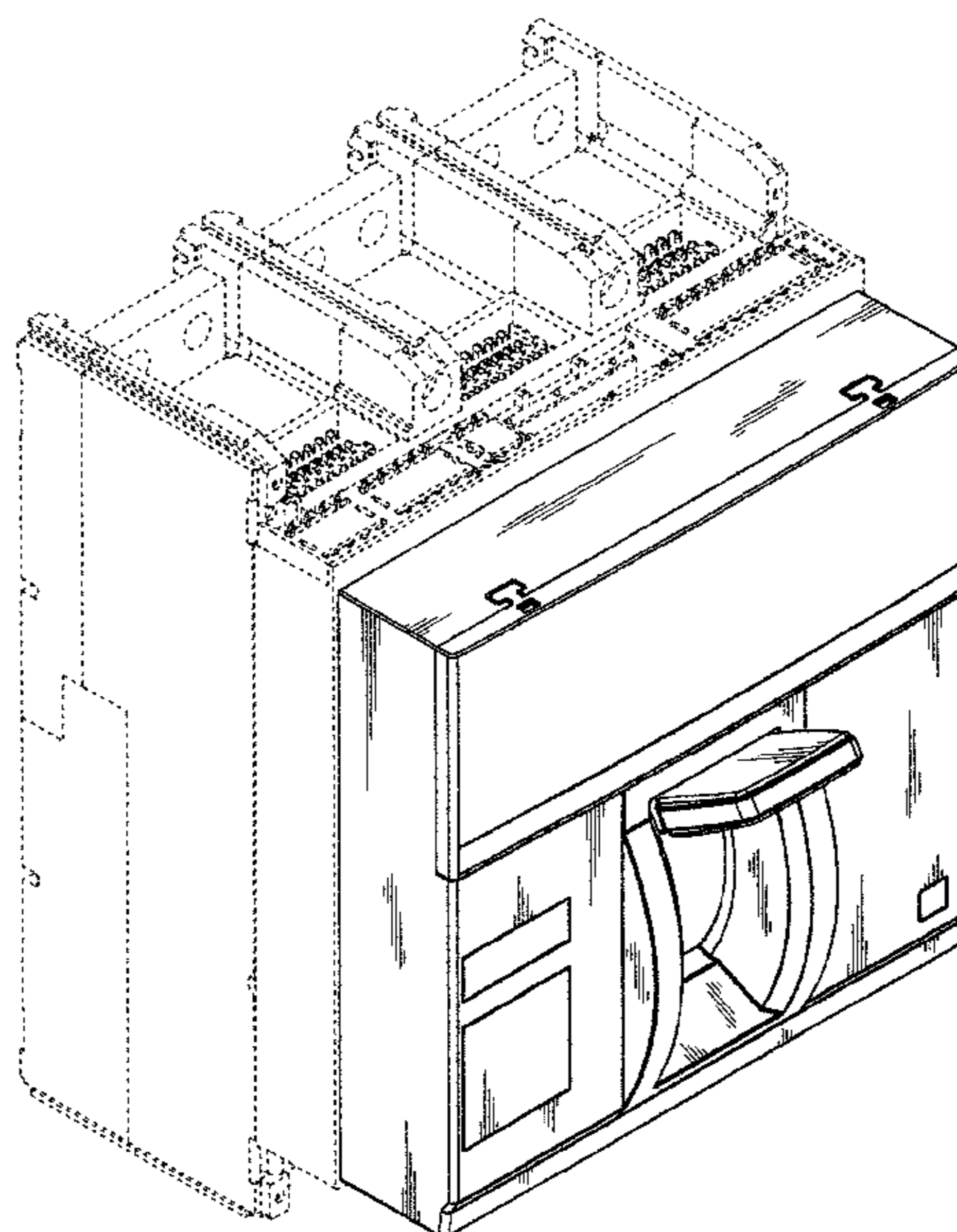
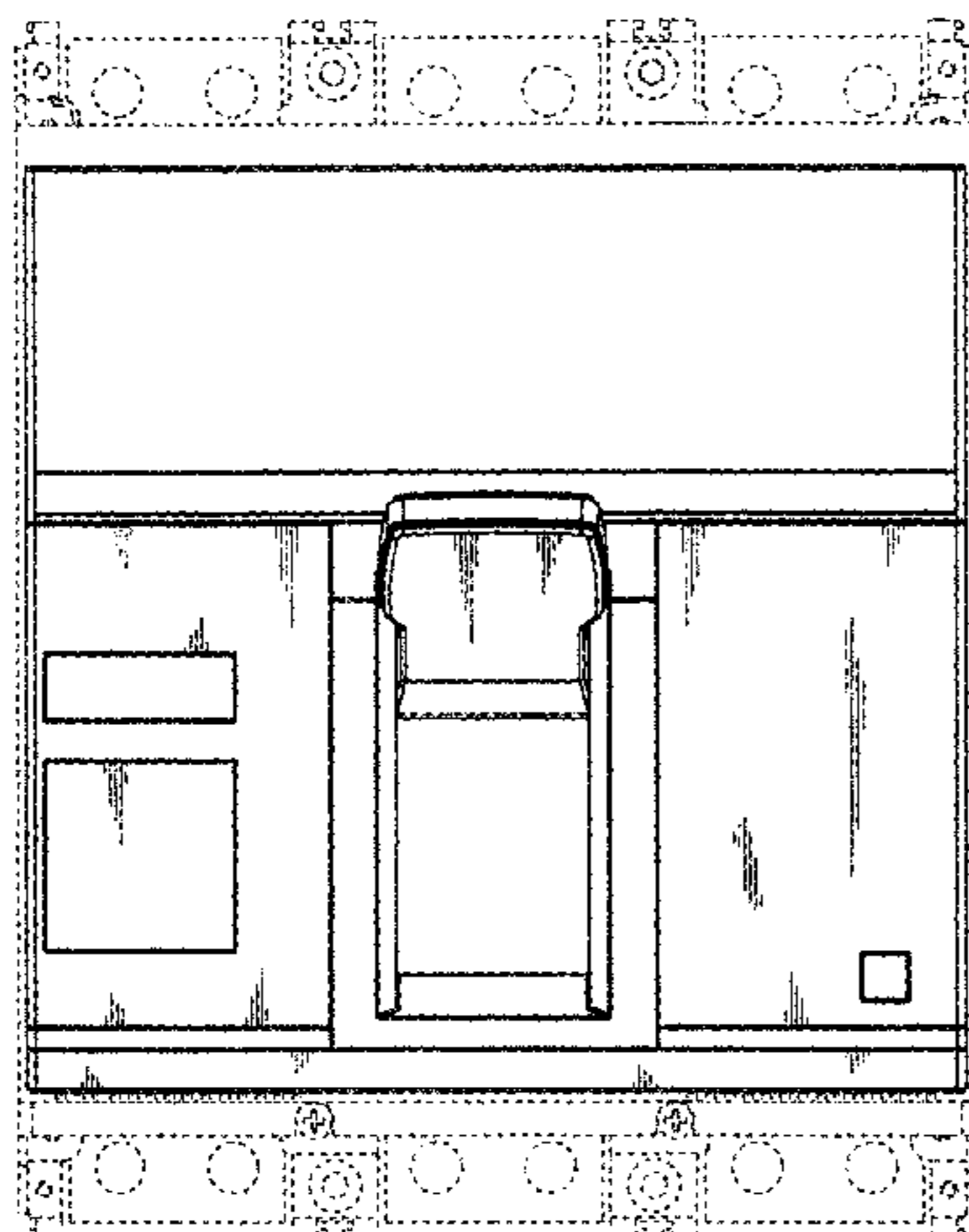




FIG. 1

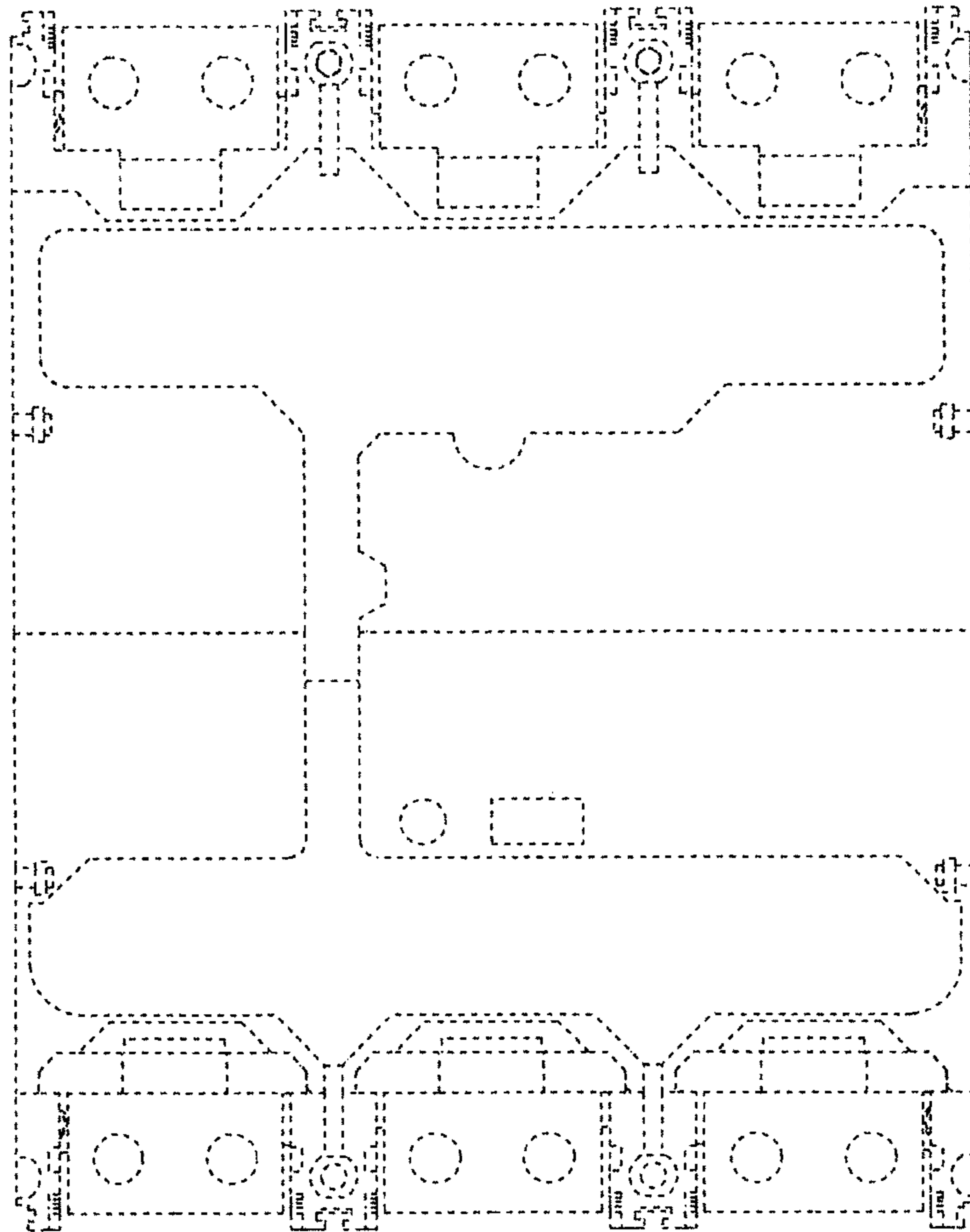


FIG. 2

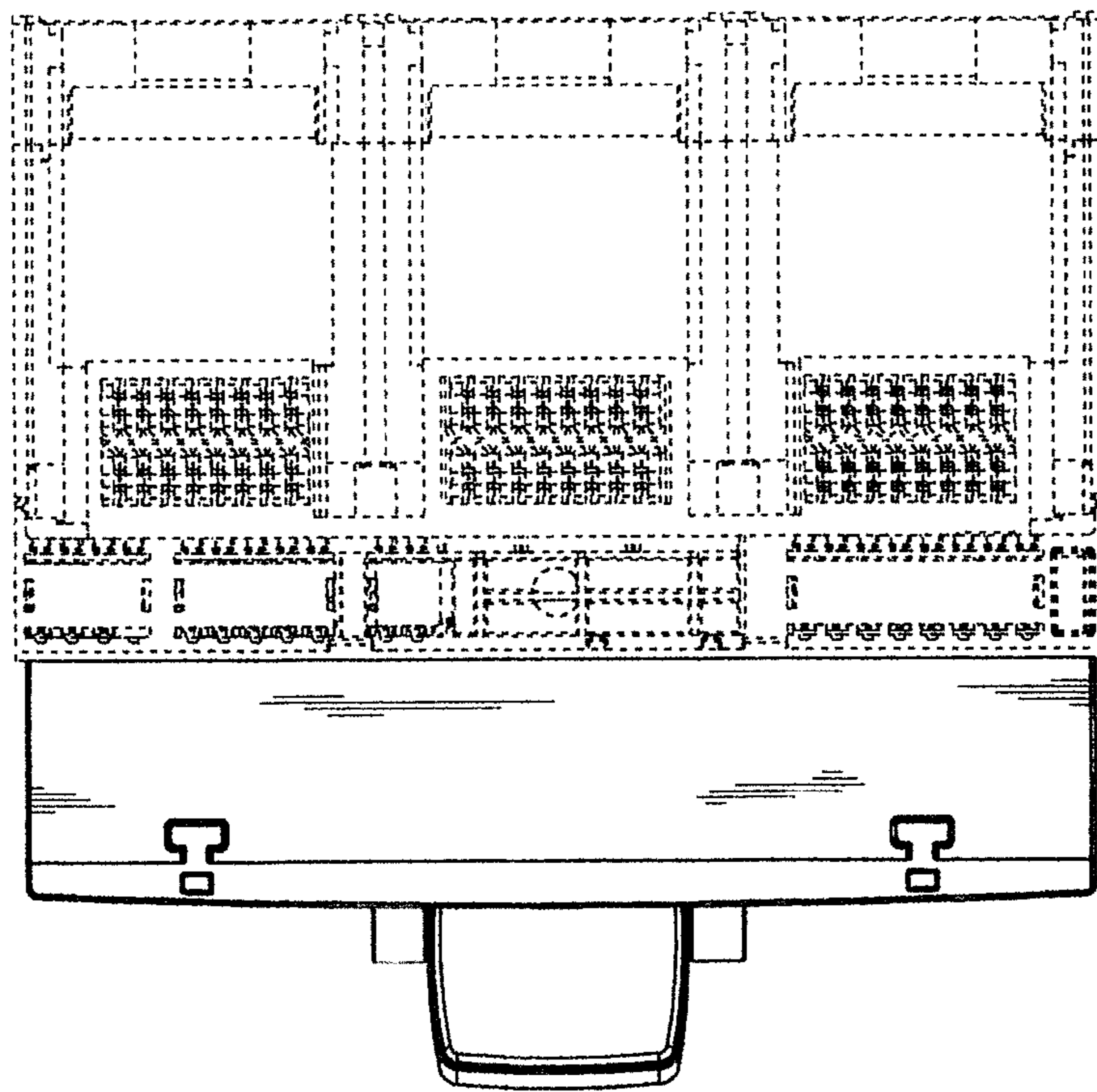


FIG. 3

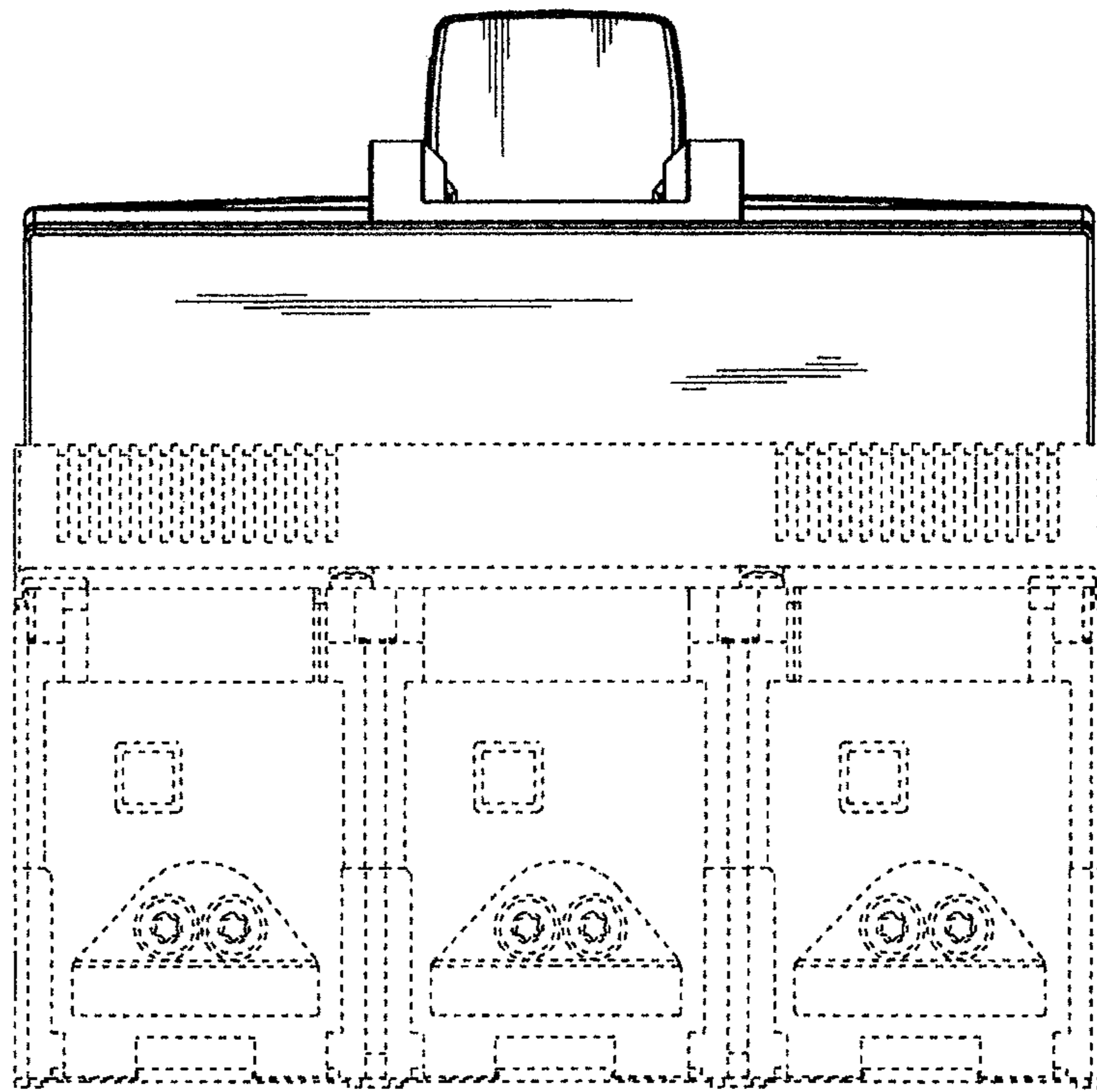


FIG. 4

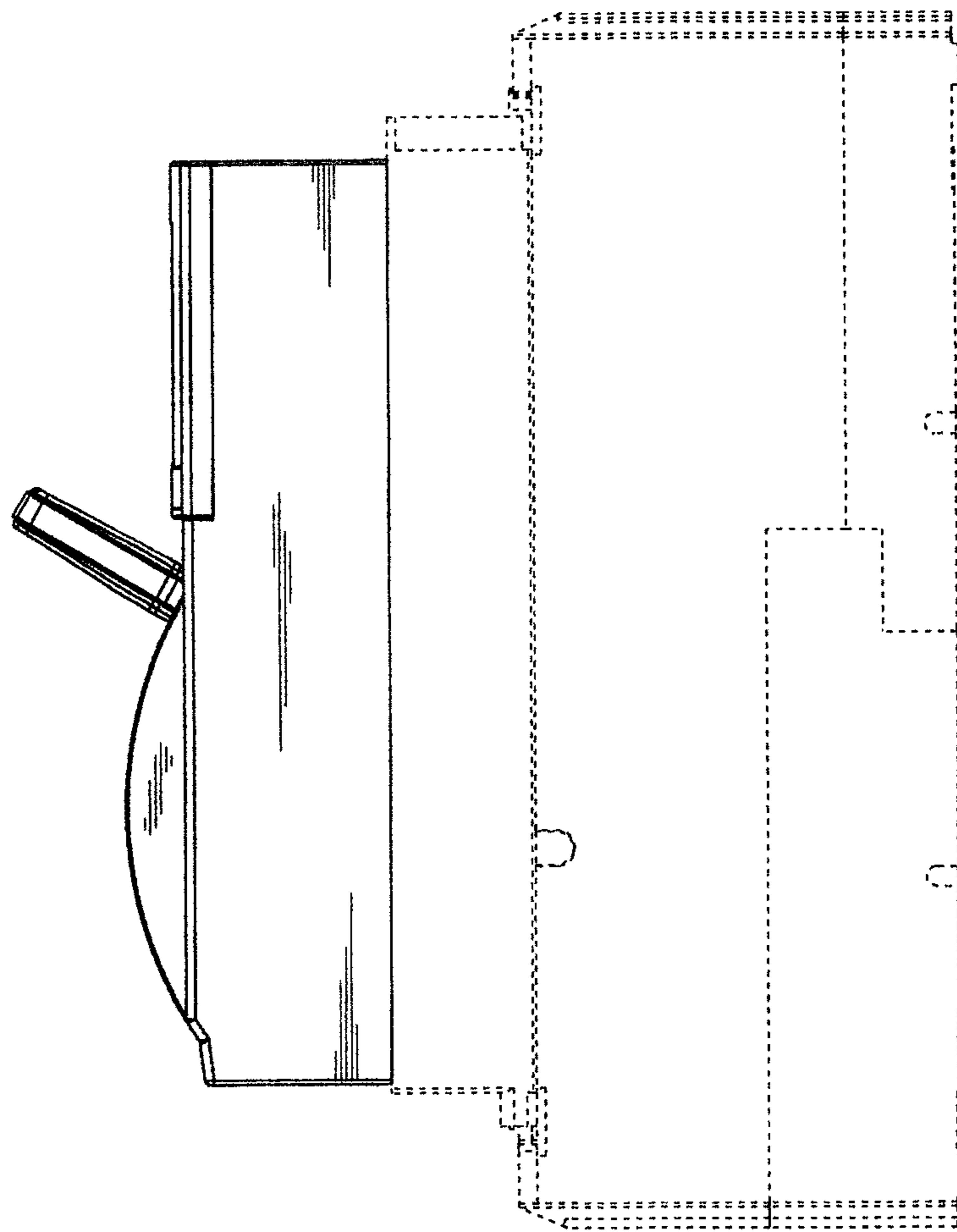


FIG. 5

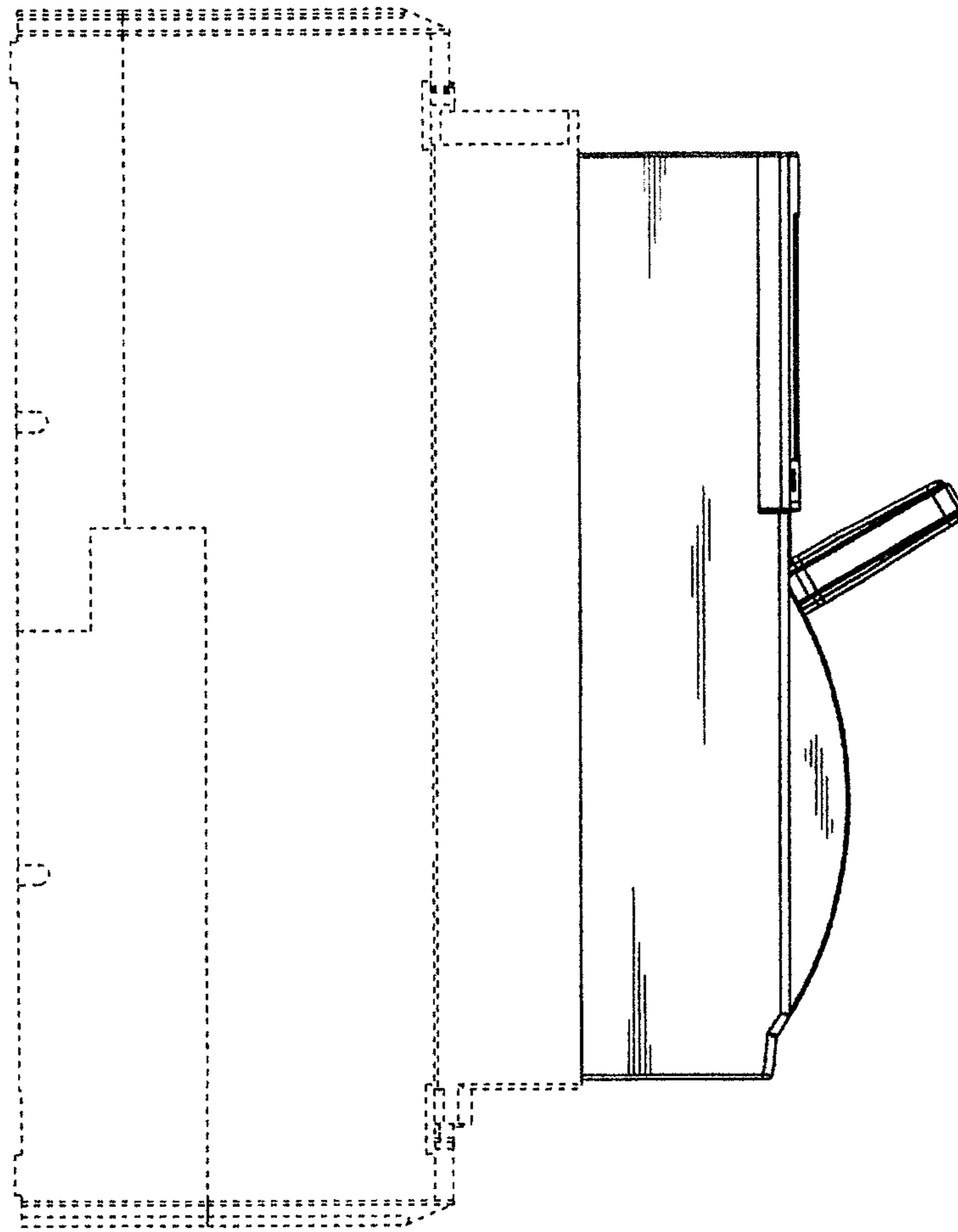


FIG. 6

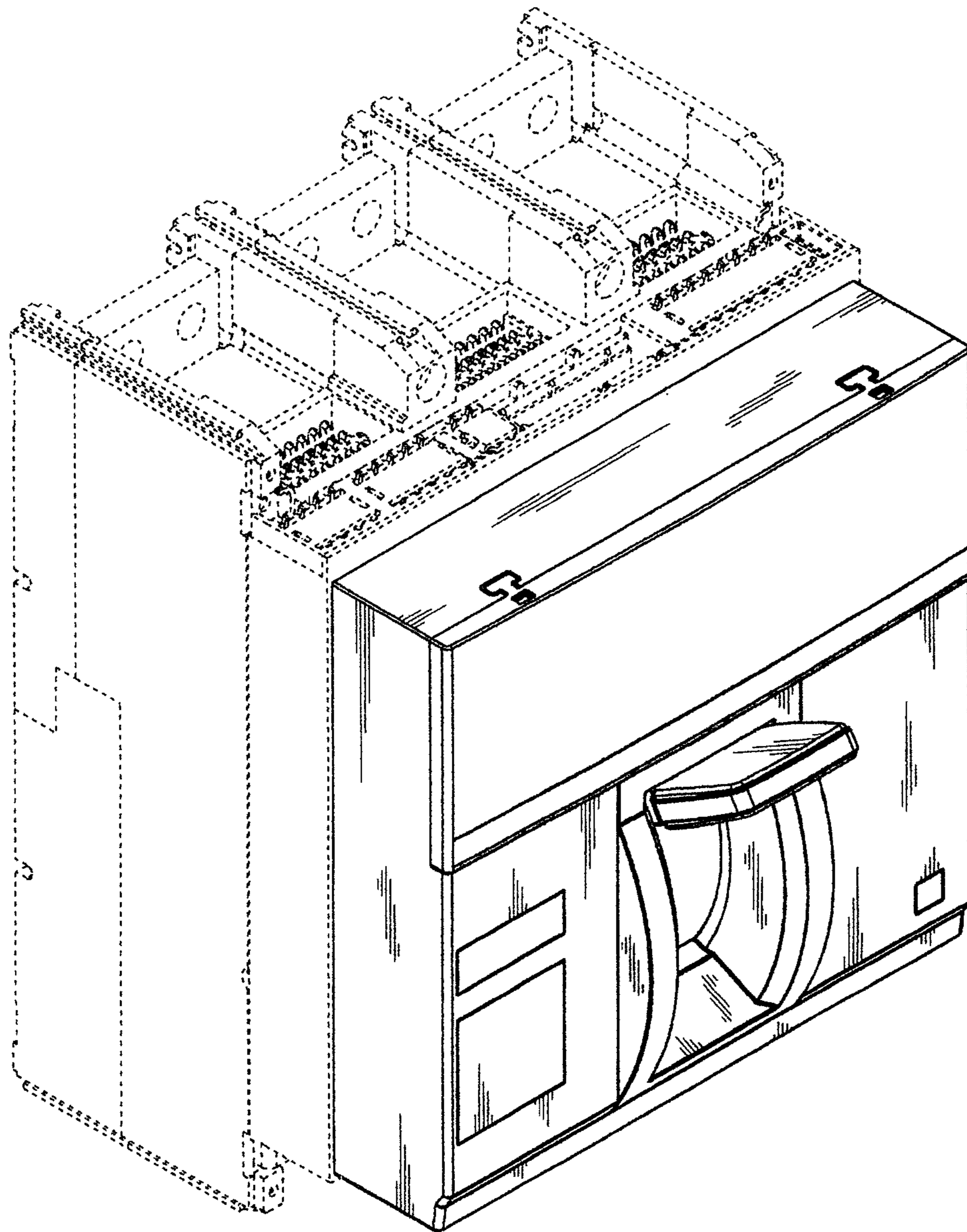


FIG. 7