



US00D862394S

(12) **United States Design Patent**
Hernandez et al.

(10) **Patent No.:** **US D862,394 S**

(45) **Date of Patent:** **** Oct. 8, 2019**

(54) **WIRE CONNECTOR**

(71) Applicants: **Alfonso Julian Hernandez**, North Reading, MA (US); **Christopher Anthony Bonner**, Watertown, MA (US)

(72) Inventors: **Alfonso Julian Hernandez**, North Reading, MA (US); **Christopher Anthony Bonner**, Watertown, MA (US)

(73) Assignee: **Osram Sylvania Inc.**, Wilmington, MA (US)

(**) Term: **15 Years**

(21) Appl. No.: **29/637,221**

(22) Filed: **Feb. 14, 2018**

(51) **LOC (12) Cl.** **13-03**

(52) **U.S. Cl.**
USPC **D13/147**

(58) **Field of Classification Search**
USPC D13/133, 146, 147, 154, 184, 199
CPC H01R 4/18; H01R 13/02; H01R 13/15;
H01R 13/20; H01R 13/213; H01R 13/24;
H01R 13/2428; H01R 13/2442; H01R
13/26; H01R 13/33; H01R 13/42; H01R
13/4223; H01R 13/426; H01R 13/432;
H01R 13/506; H01R 13/58; H01R 13/64;
H01R 9/09; H01R 9/091; H01R 9/098;
H01R 9/22; H01R 9/24; H01R 9/2408;
H01R 9/2691; H01R 9/28

See application file for complete search history.

(56) **References Cited**

U.S. PATENT DOCUMENTS

D593,951	S	*	6/2009	Yoon	D13/147
D625,270	S	*	10/2010	Schafmeister	D13/147
D641,703	S	*	7/2011	Severing	D13/146
D676,391	S	*	2/2013	Gassauer	D13/147
D717,734	S	*	11/2014	Habirov	D13/147
D739,822	S	*	9/2015	Severing	D13/146
D747,270	S	*	1/2016	Severing	D13/146
9,899,752	B2	*	2/2018	Wu	H01R 4/4818
2006/0105637	A1	*	5/2006	Chiang	H01R 4/363 439/709

* cited by examiner

Primary Examiner — Brandon M Rosati

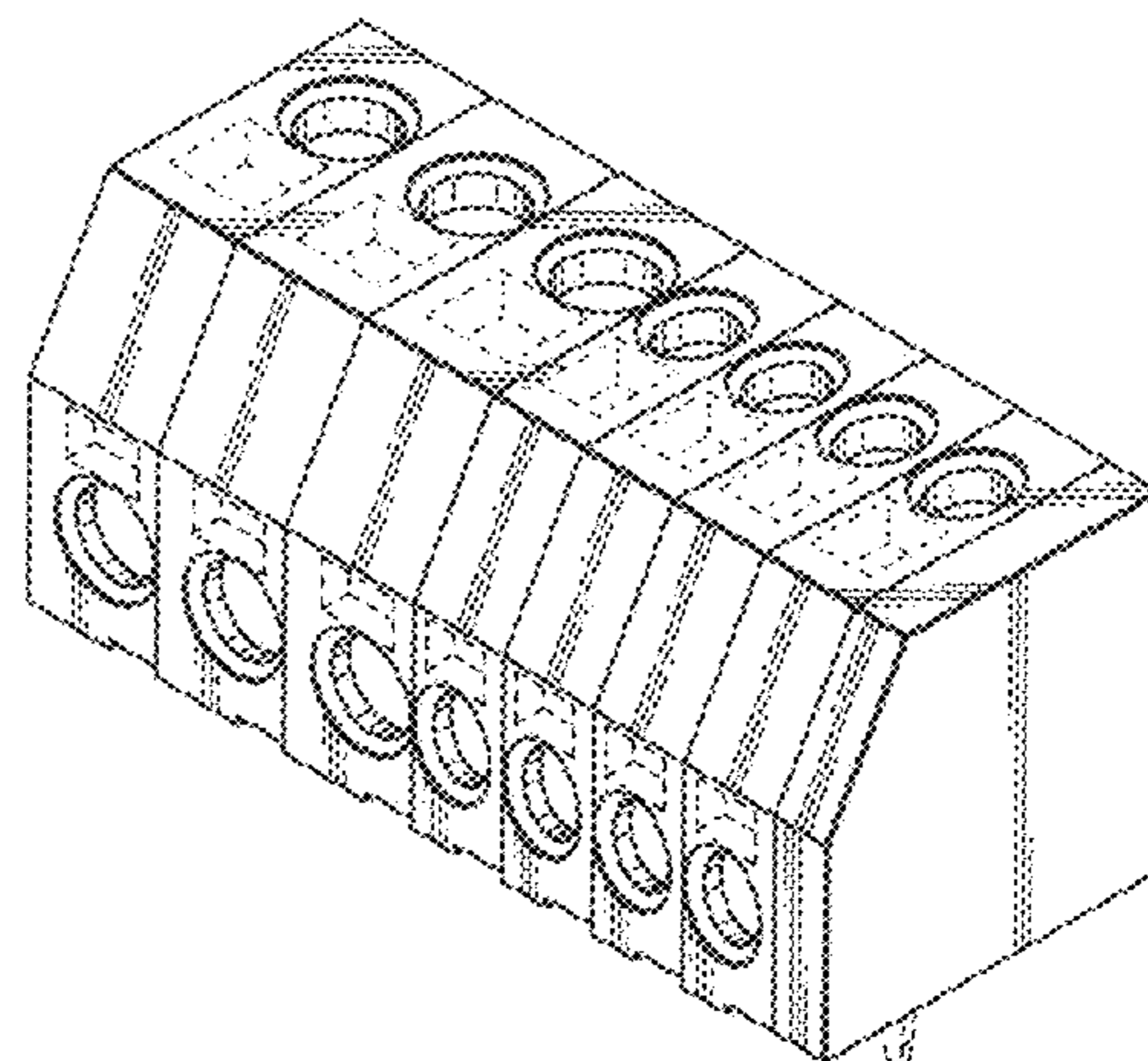
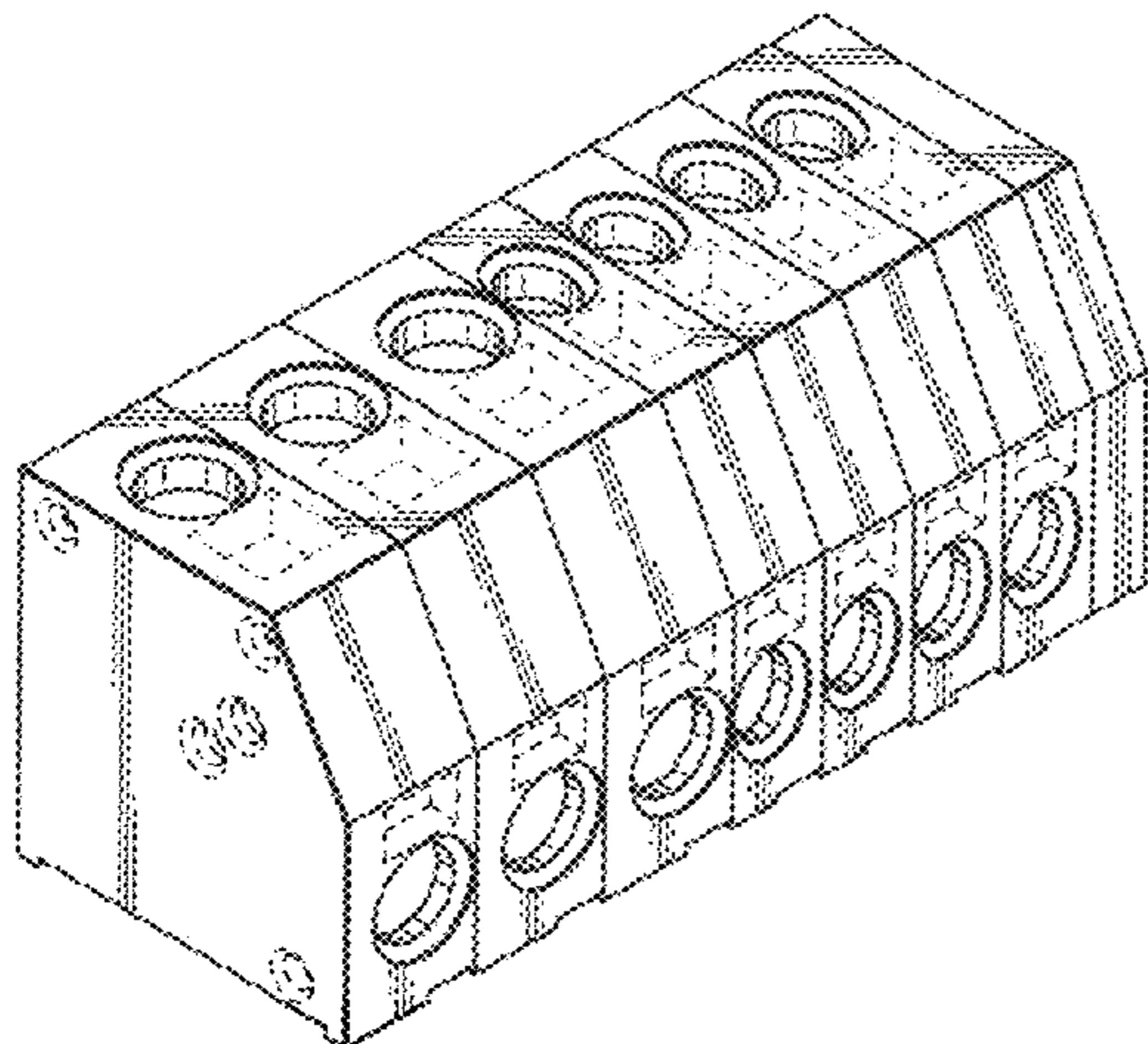
(57) **CLAIM**

The ornamental design for a wire connector, as shown and described.

DESCRIPTION

FIG. 1 is a front, top and right side perspective view of a wire connector showing my new design;
FIG. 2 is a front elevation view thereof;
FIG. 3 is a back elevation view thereof;
FIG. 4 is a left side elevation view thereof;
FIG. 5 is a right side elevation view thereof;
FIG. 6 is a top plan view thereof;
FIG. 7 is a bottom plan view thereof; and,
FIG. 8 is a front, top and left side perspective view thereof.

1 Claim, 5 Drawing Sheets



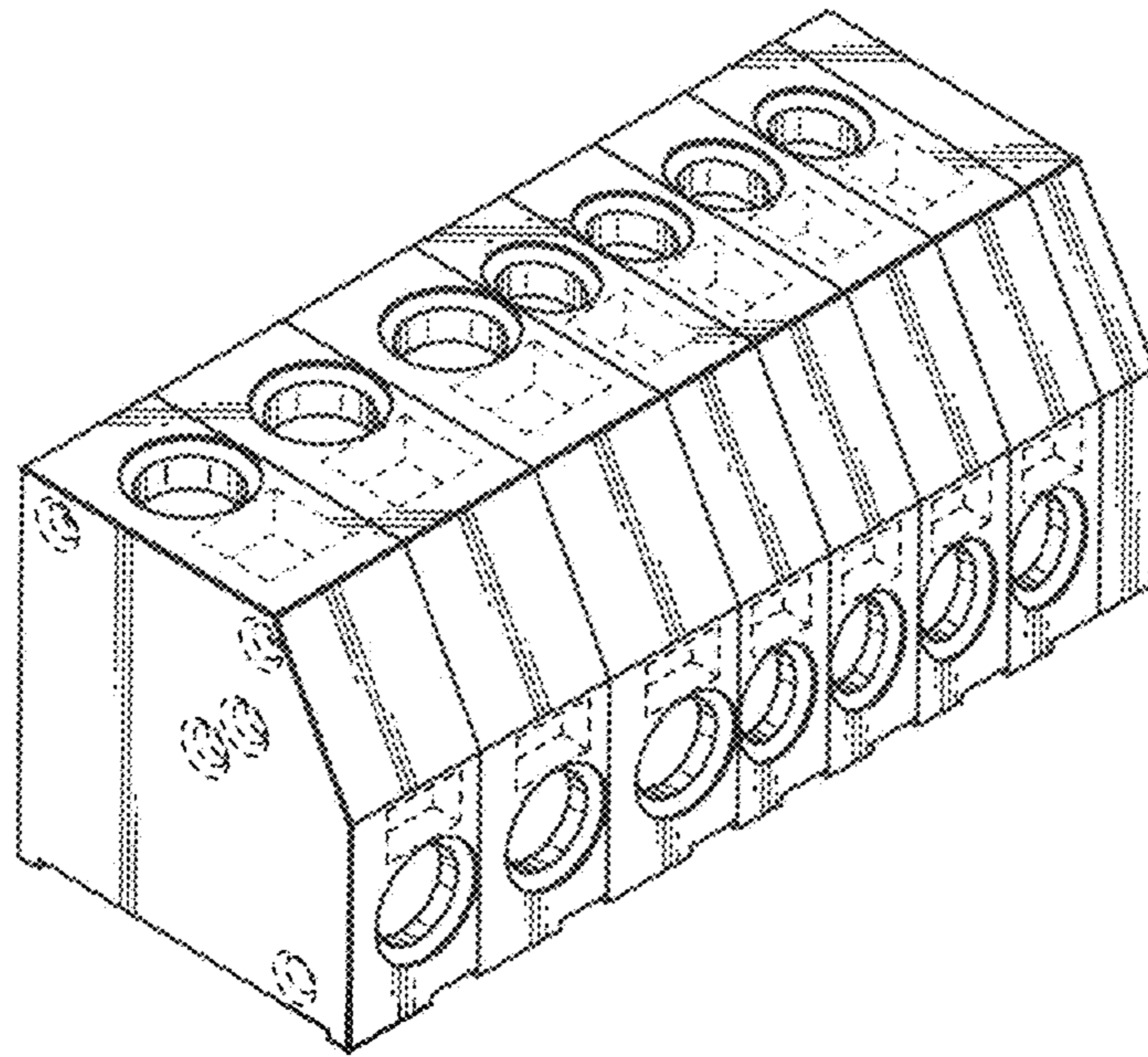


FIG. 1

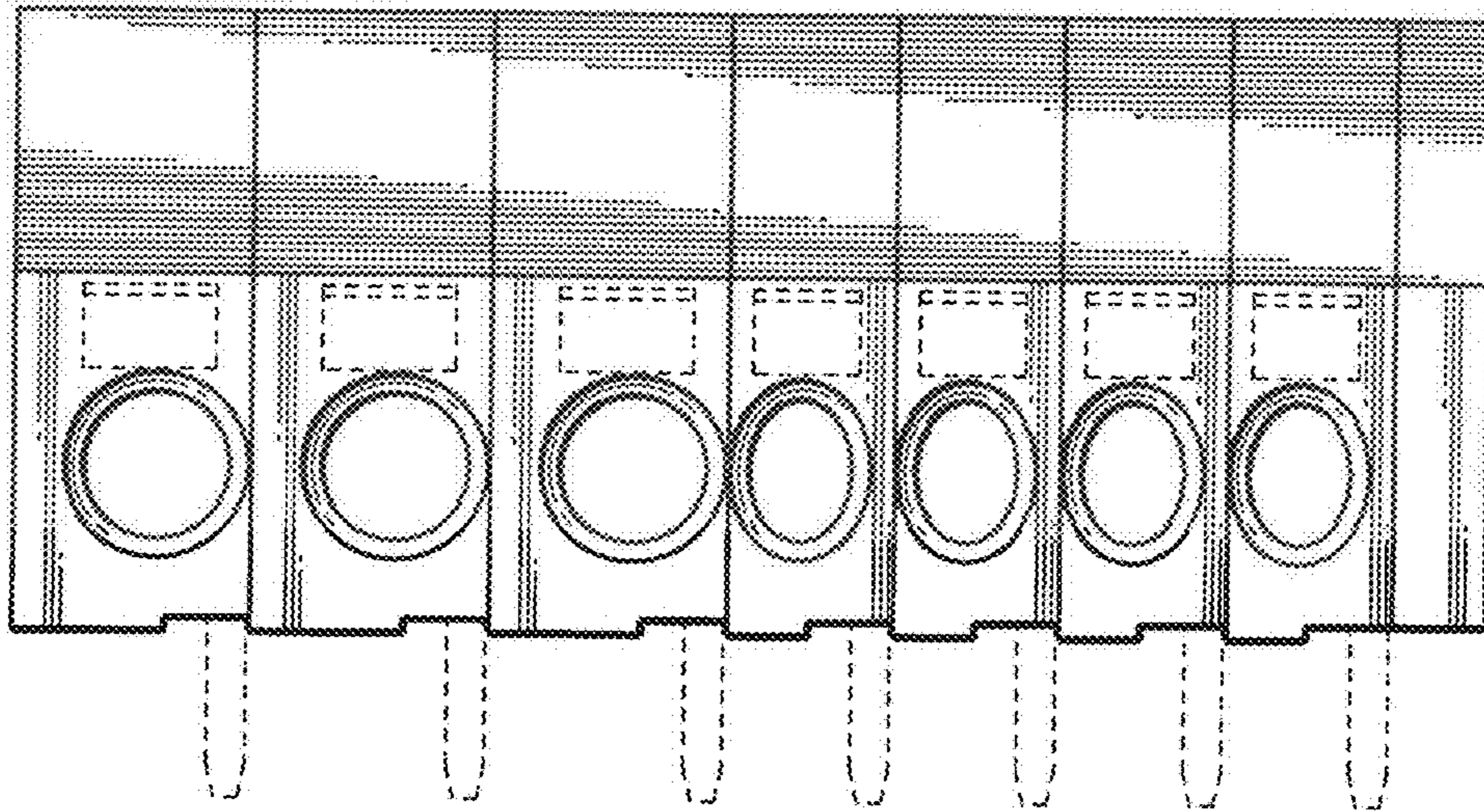


FIG. 2

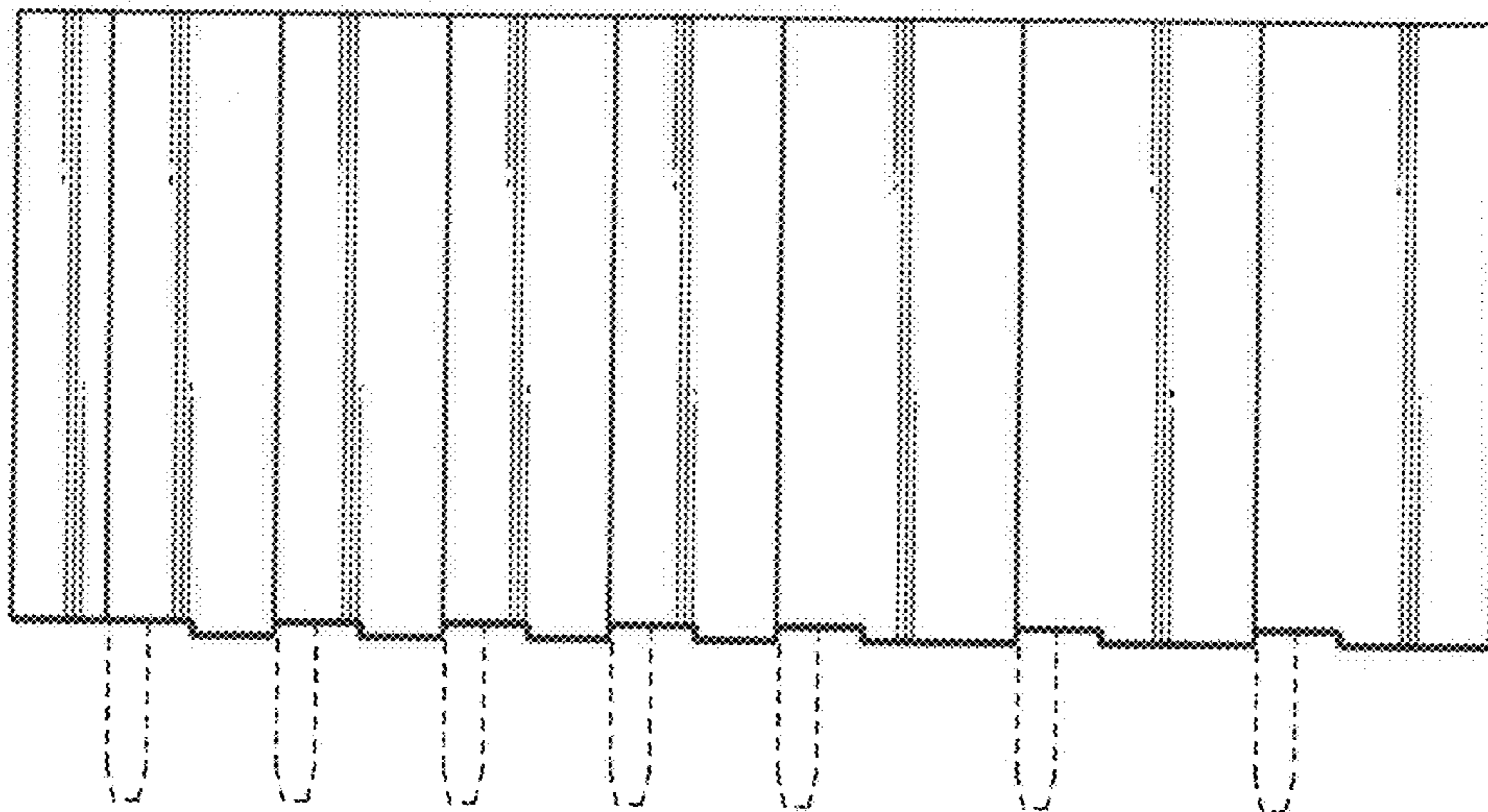


FIG. 3

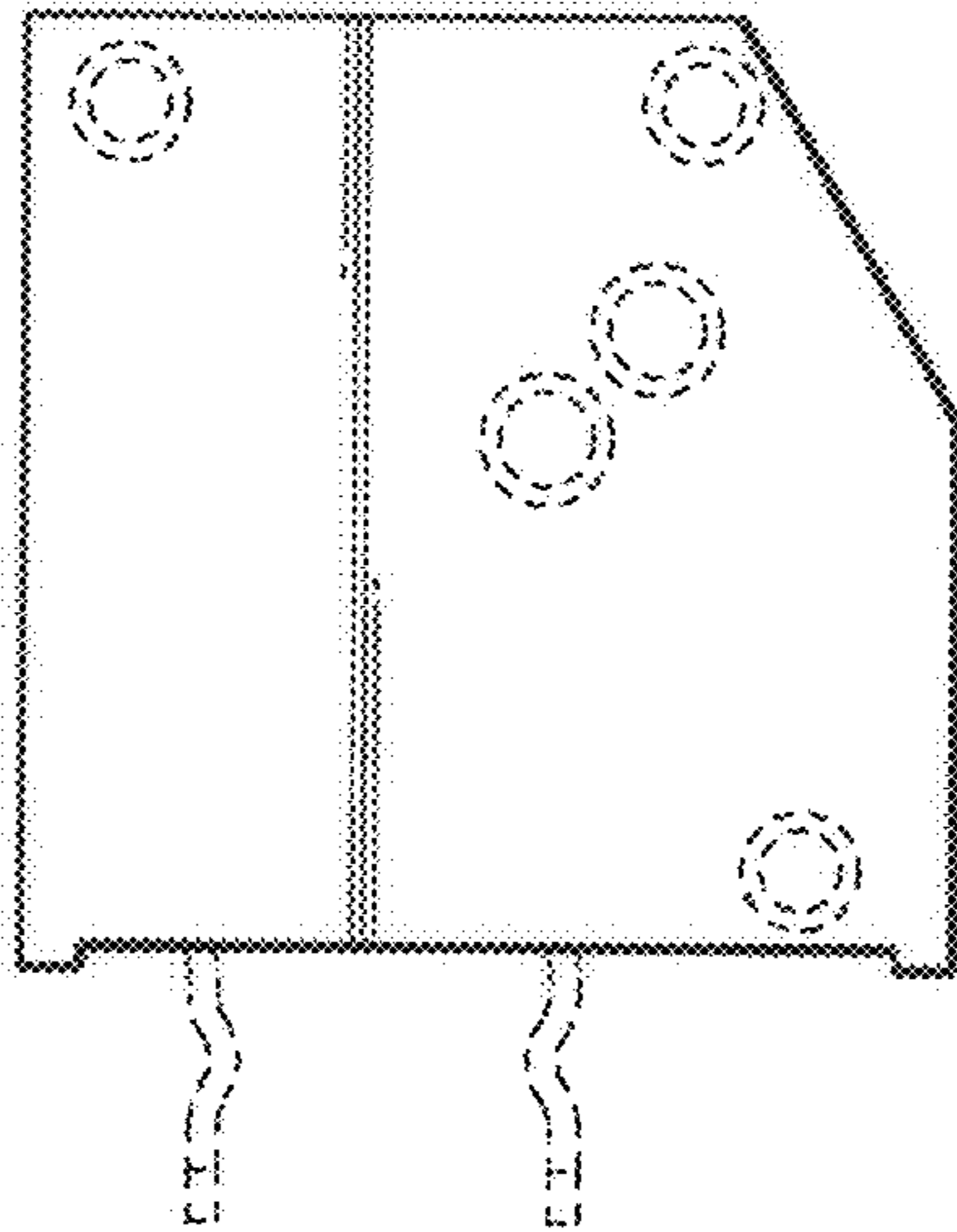


FIG. 4

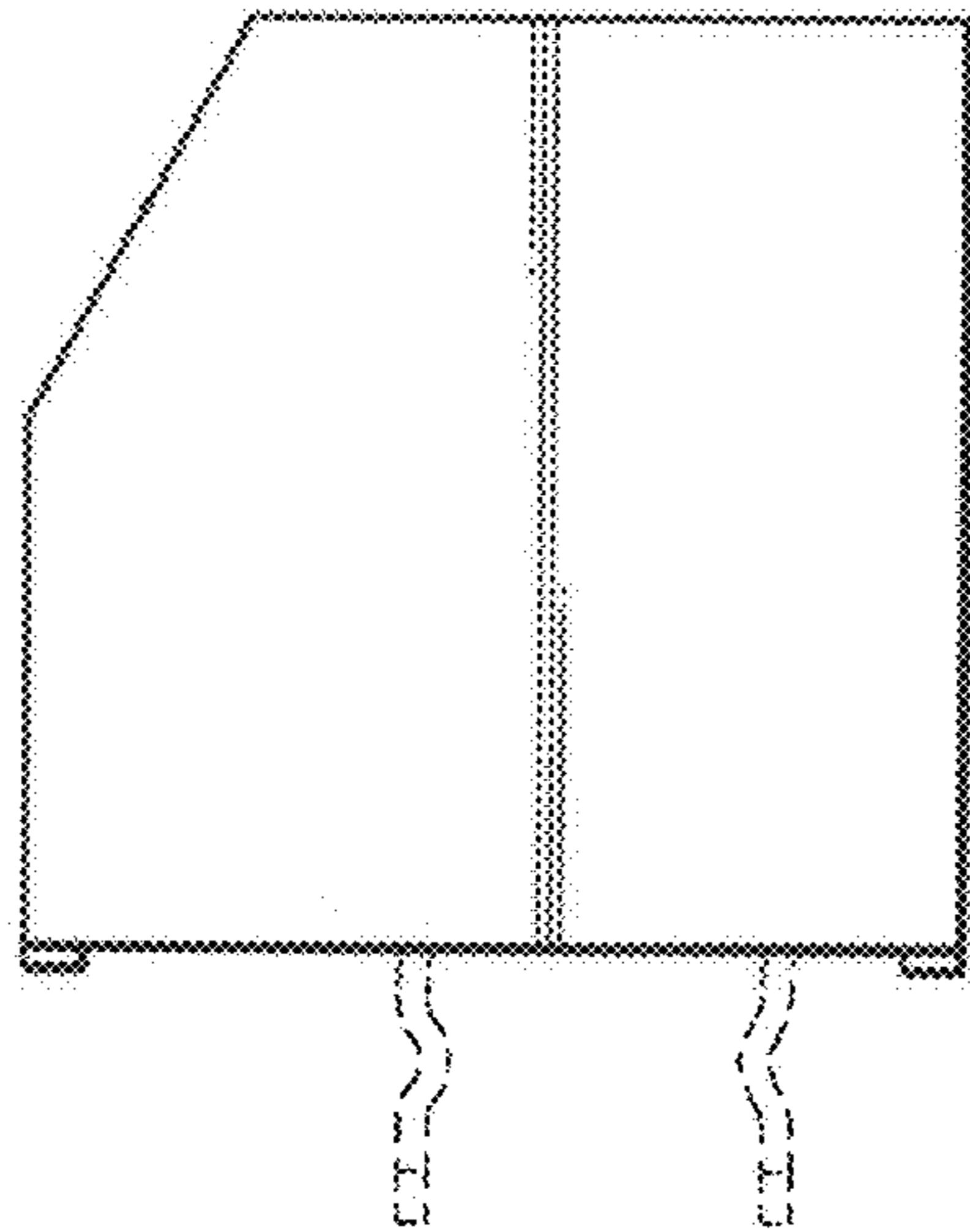


FIG. 5

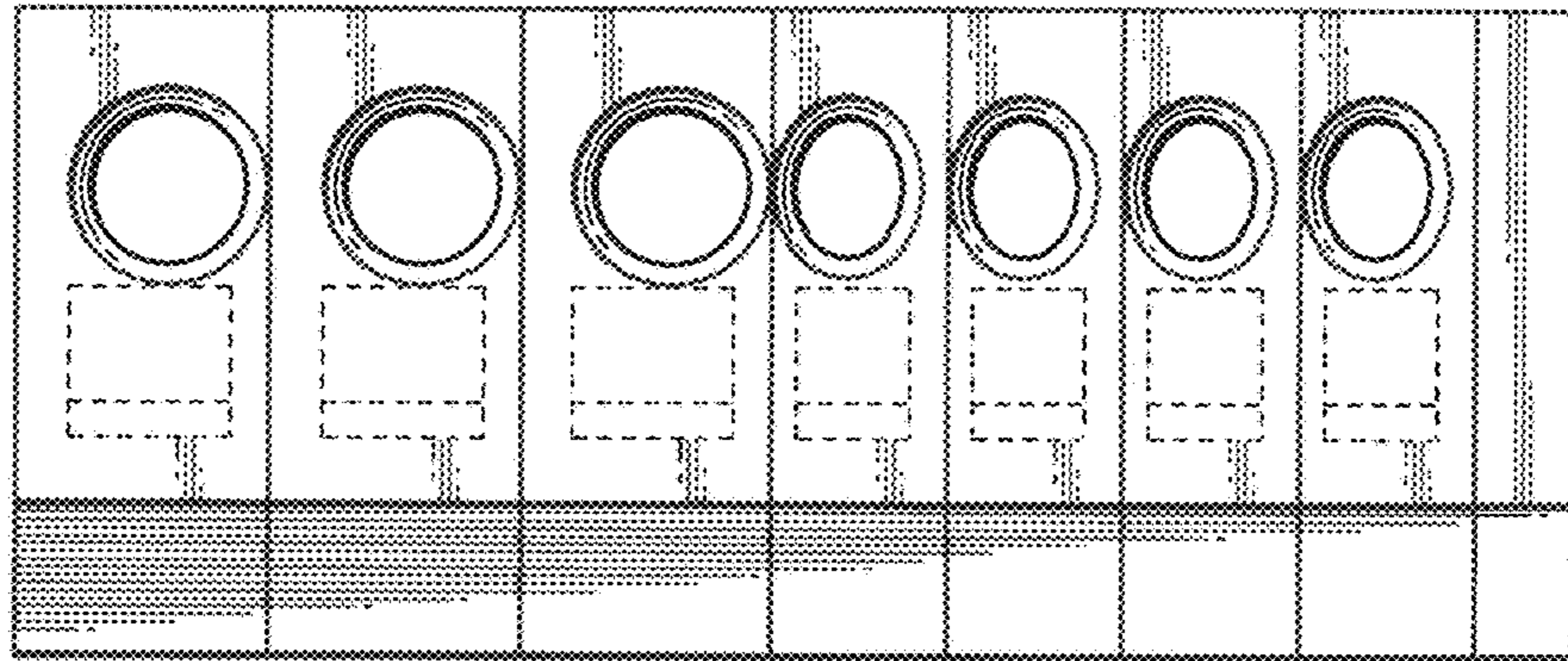


FIG. 6

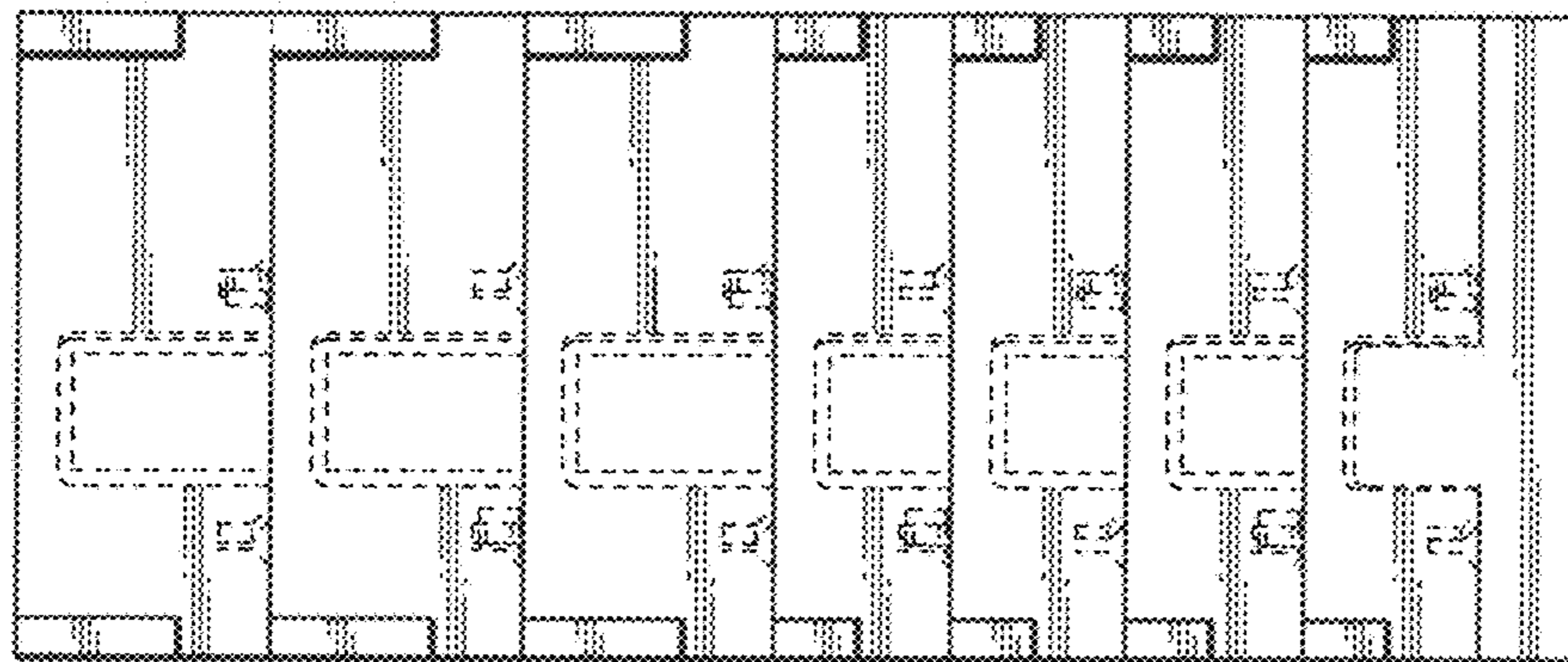


FIG. 7

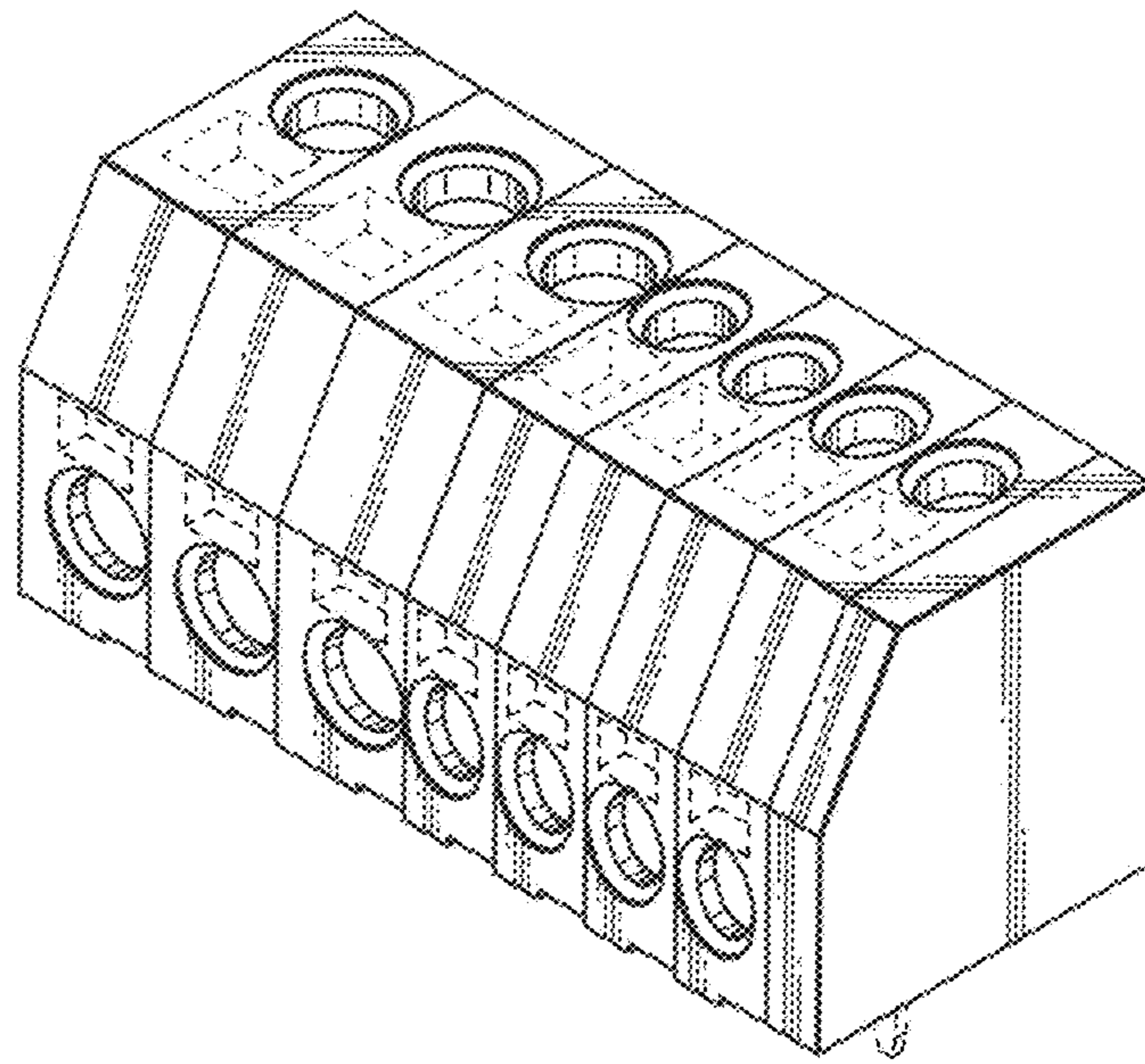


FIG. 8