



US00D862393S

(12) **United States Design Patent**  
**Laurino et al.**

(10) **Patent No.:** **US D862,393 S**

(45) **Date of Patent:** **\*\* Oct. 8, 2019**

(54) **VOLTAGE INPUT ADAPTER**

(71) Applicant: **Fluke Corporation**, Everett, WA (US)

(72) Inventors: **Ferdinand Y. Laurino**, Seattle, WA (US); **Matthew Carl-Robert Bannister**, Lake Stevens, WA (US); **Alois Sommer**, Leobersdorf (AT); **Stefan Hidegh**, Brunn am Gebirge (AT); **Paul Kral**, Brunn am Gebirge (AT)

(73) Assignee: **Fluke Corporation**, Everett, WA (US)

(\*\*) Term: **15 Years**

(21) Appl. No.: **29/621,965**

(22) Filed: **Oct. 12, 2017**

(51) **LOC (12) Cl.** ..... **13-03**

(52) **U.S. Cl.**  
USPC ..... **D13/147**

(58) **Field of Classification Search**  
USPC ..... D13/108, 110, 123, 133, 137.1–137.4, D13/138.1–138.2, 139.1–139.8, 152, 154, D13/124, 147; D14/433  
CPC .. H01R 25/00; H01R 25/006; H01R 13/6675; H01R 13/10; H01R 13/44; H01R 13/66; H01R 13/652; H01R 31/065; H01R 31/00; H01R 11/00; H01R 9/00; H01H 2207/00; H01H 2207/022  
See application file for complete search history.

(56) **References Cited**

**U.S. PATENT DOCUMENTS**

D220,569 S \* 4/1971 De Carlo ..... D13/147  
D493,143 S \* 7/2004 Aldridge ..... D13/147

D612,808 S \* 3/2010 Billerbeck ..... D13/147  
D641,325 S \* 7/2011 Detemple ..... D13/159  
D734,269 S \* 7/2015 Siebens ..... D13/146  
D786,799 S \* 5/2017 Salomon ..... D13/147  
D820,210 S \* 6/2018 Barrefelt ..... D13/133  
D835,040 S \* 12/2018 Duran ..... D13/124  
D836,070 S \* 12/2018 Barrefelt ..... D13/133  
D838,675 S \* 1/2019 Edmonds ..... D13/154

\* cited by examiner

*Primary Examiner* — Rosemary K Tarcza

*Assistant Examiner* — Christy M Nemeth

(74) *Attorney, Agent, or Firm* — Seed Intellectual Property Law Group LLP

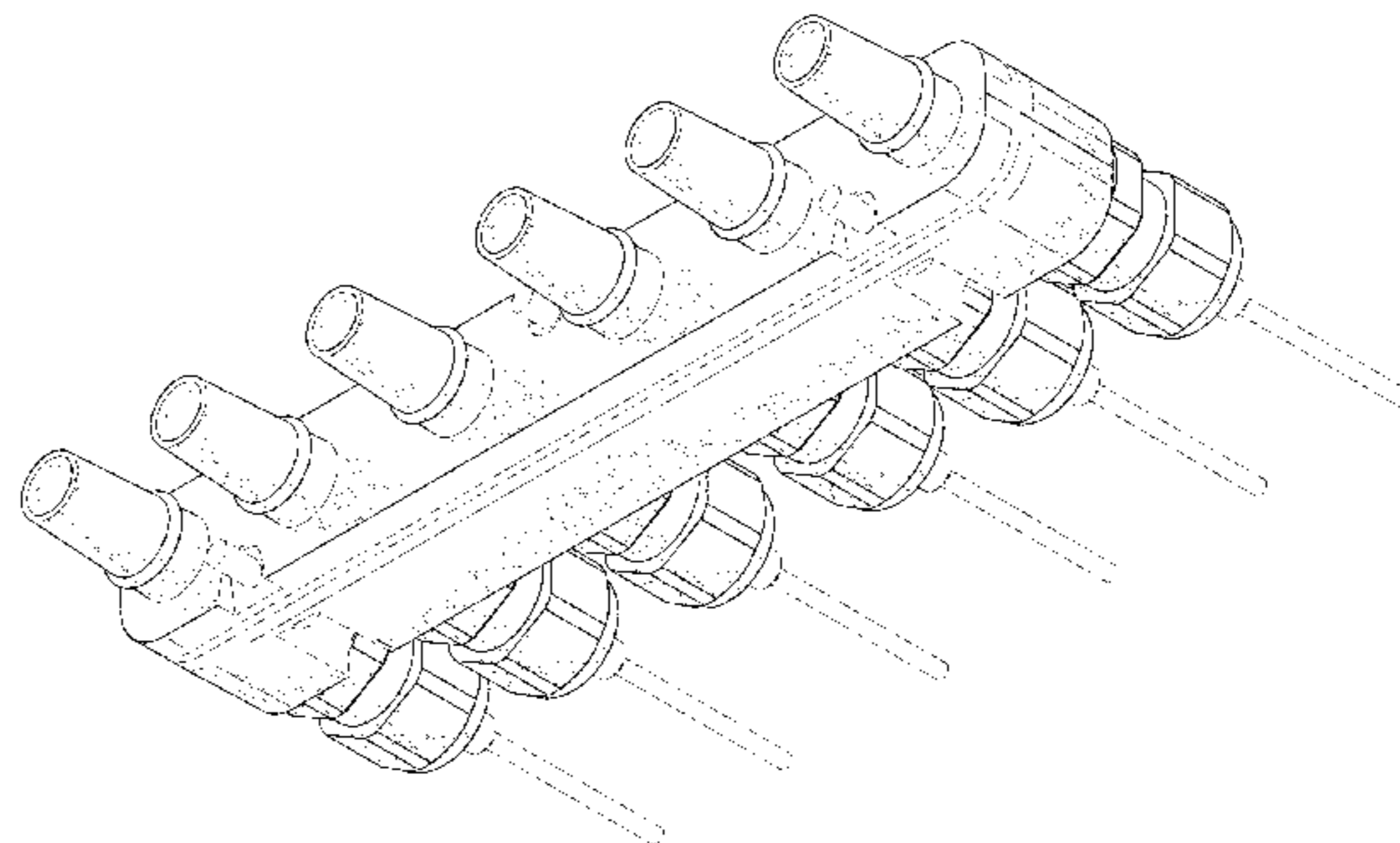
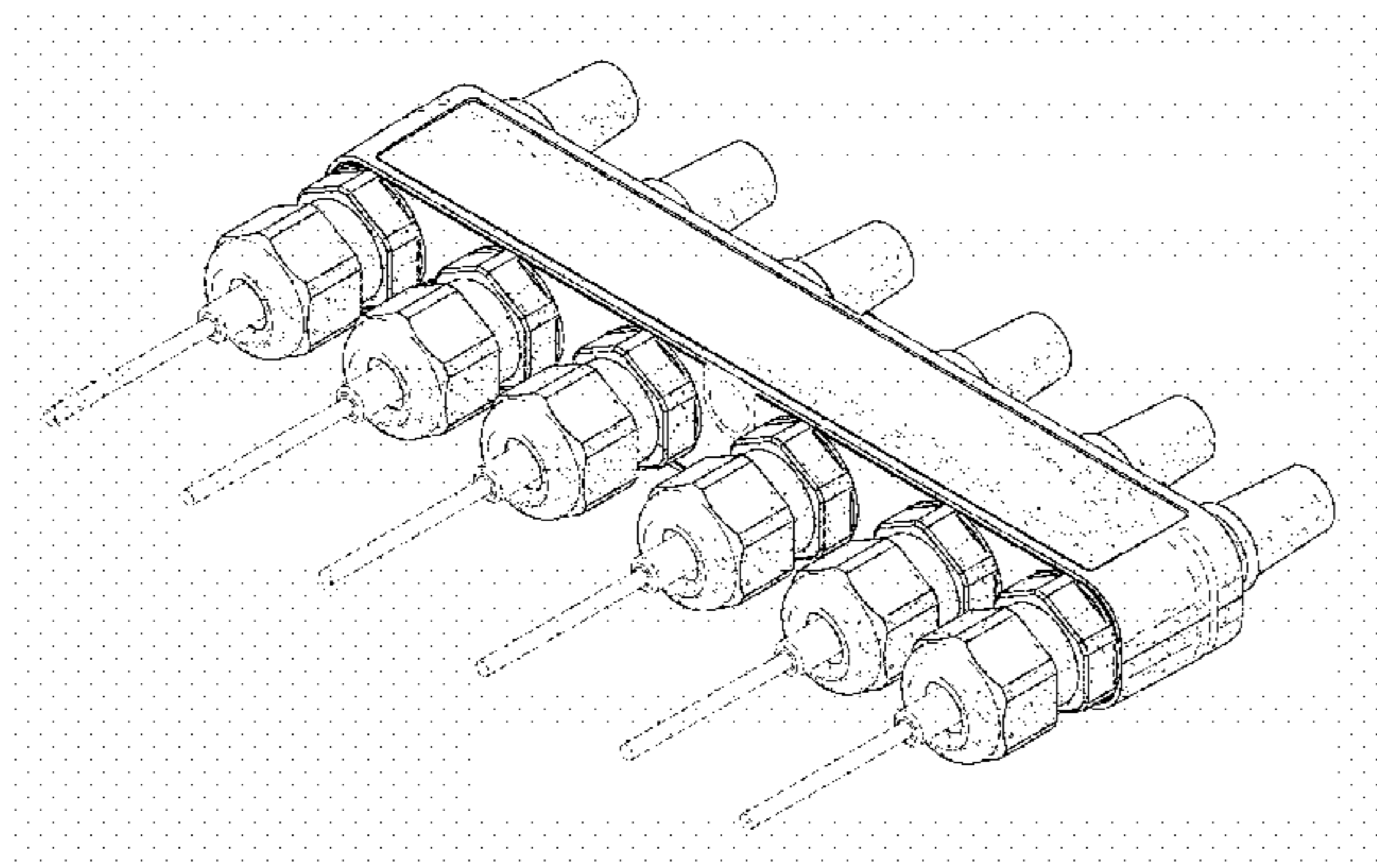
(57) **CLAIM**

The ornamental design for a voltage input adapter, as shown and described.

**DESCRIPTION**

FIG. 1 is a top, front, right side perspective view of a voltage input adapter showing our new design.  
FIG. 2 is a bottom, rear, left side perspective view thereof.  
FIG. 3 is a front elevation view thereof.  
FIG. 4 is a rear elevation view thereof.  
FIG. 5 is a left side elevation view thereof.  
FIG. 6 is a right side elevation view thereof.  
FIG. 7 is a top plan view thereof; and,  
FIG. 8 is a bottom plan view thereof.  
The broken lines in the figures are for the purpose illustrating elements of the voltage input adapter that form no part of the claimed design.

**1 Claim, 6 Drawing Sheets**



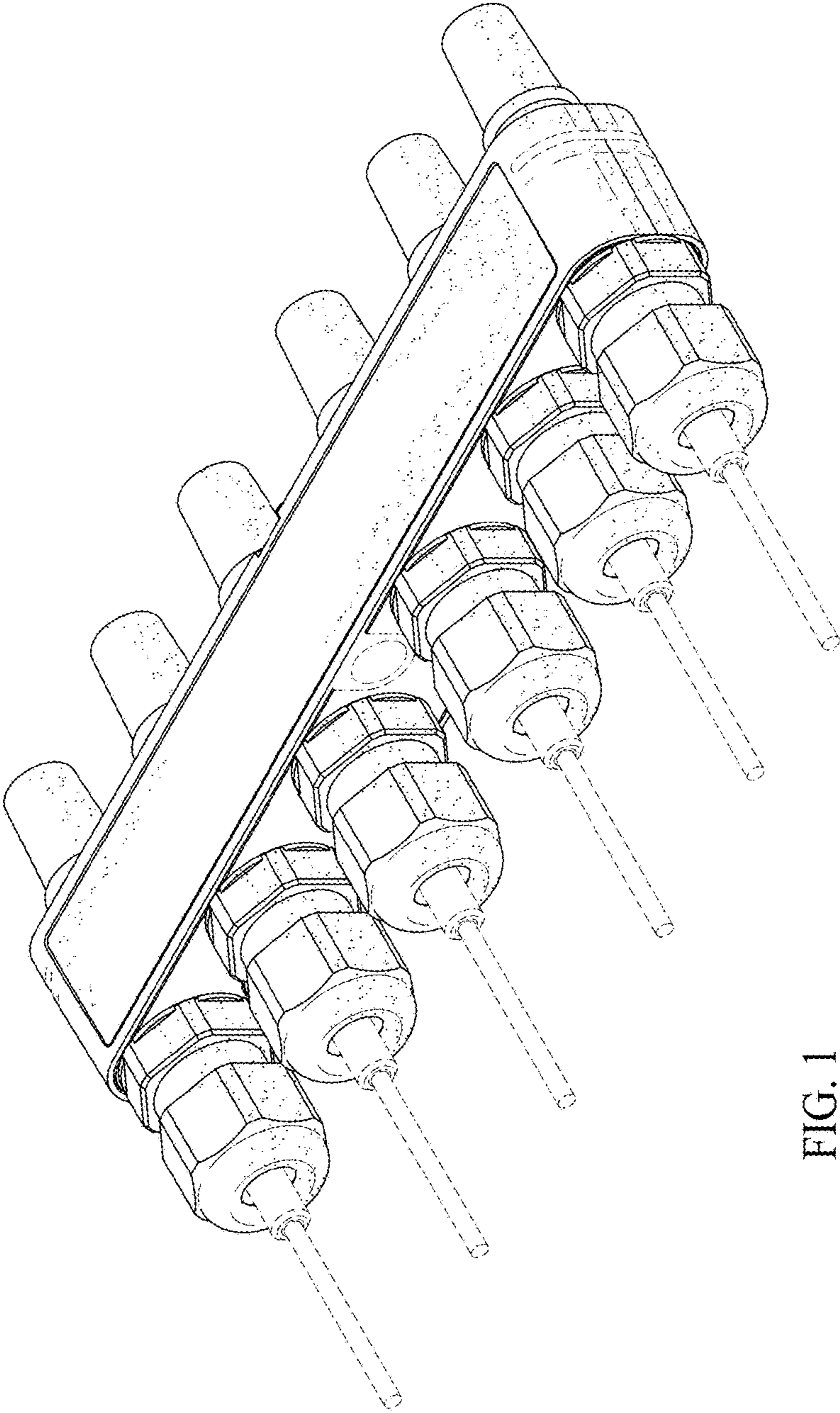


FIG. 1

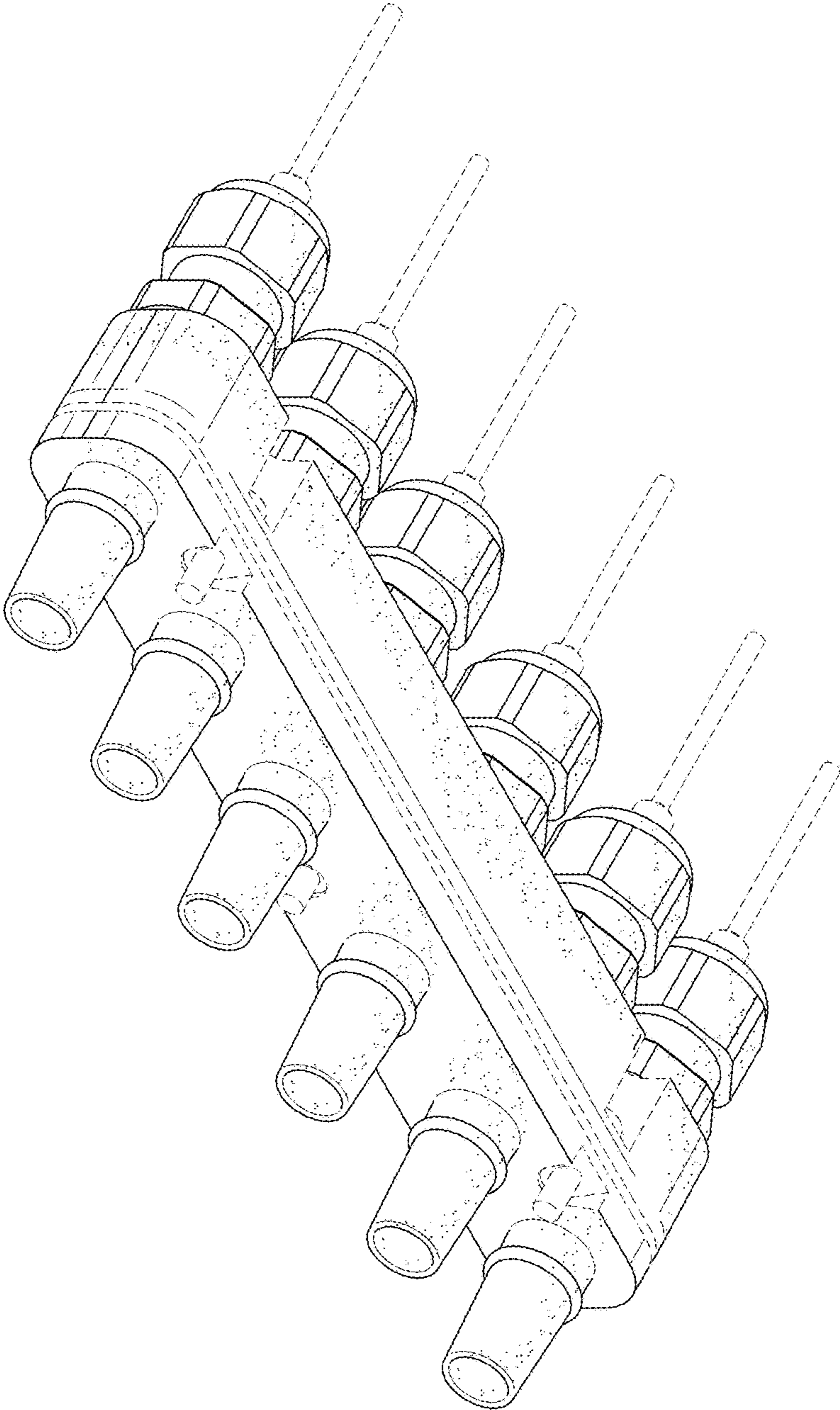


FIG. 2

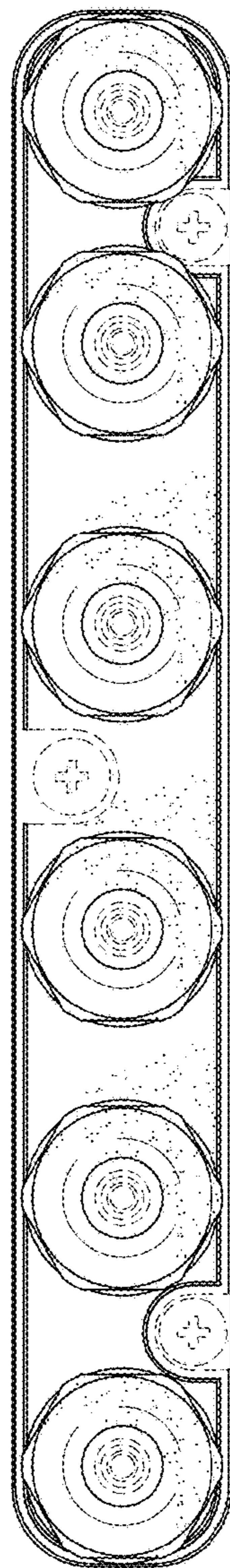


FIG. 3

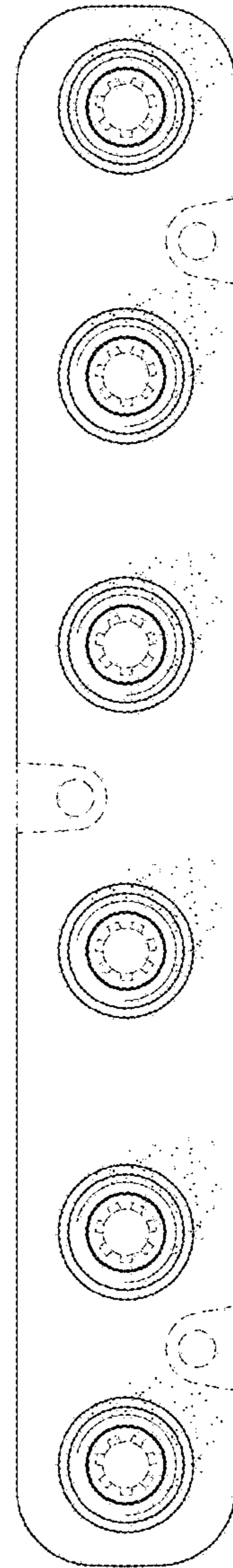


FIG. 4

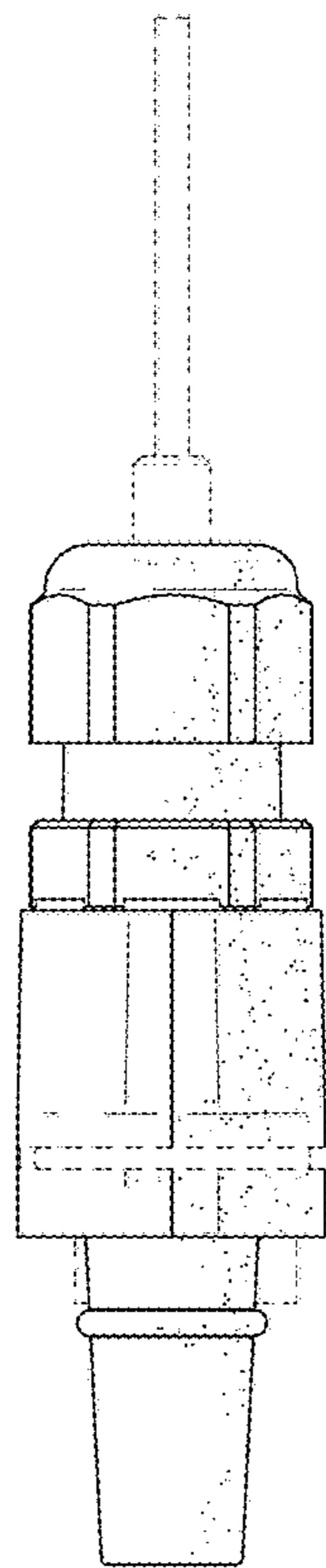


FIG. 5

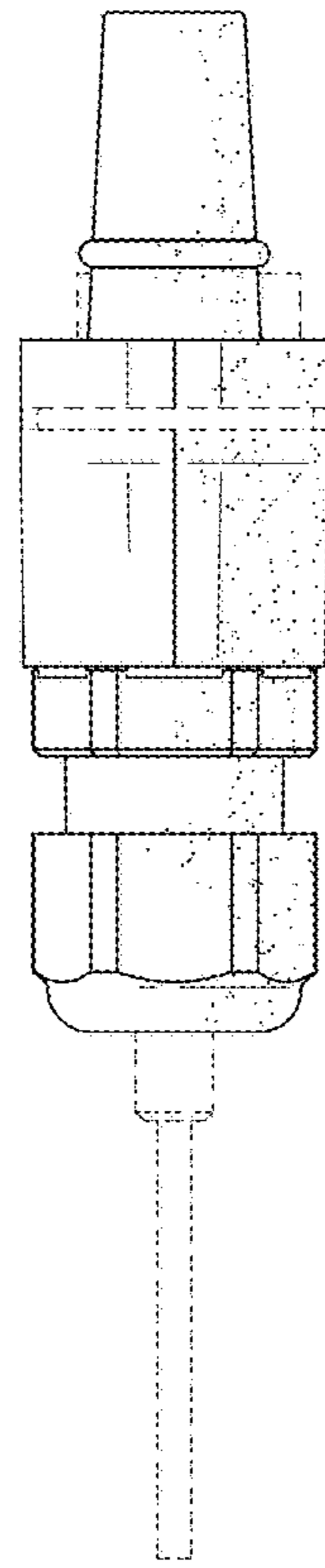


FIG. 6

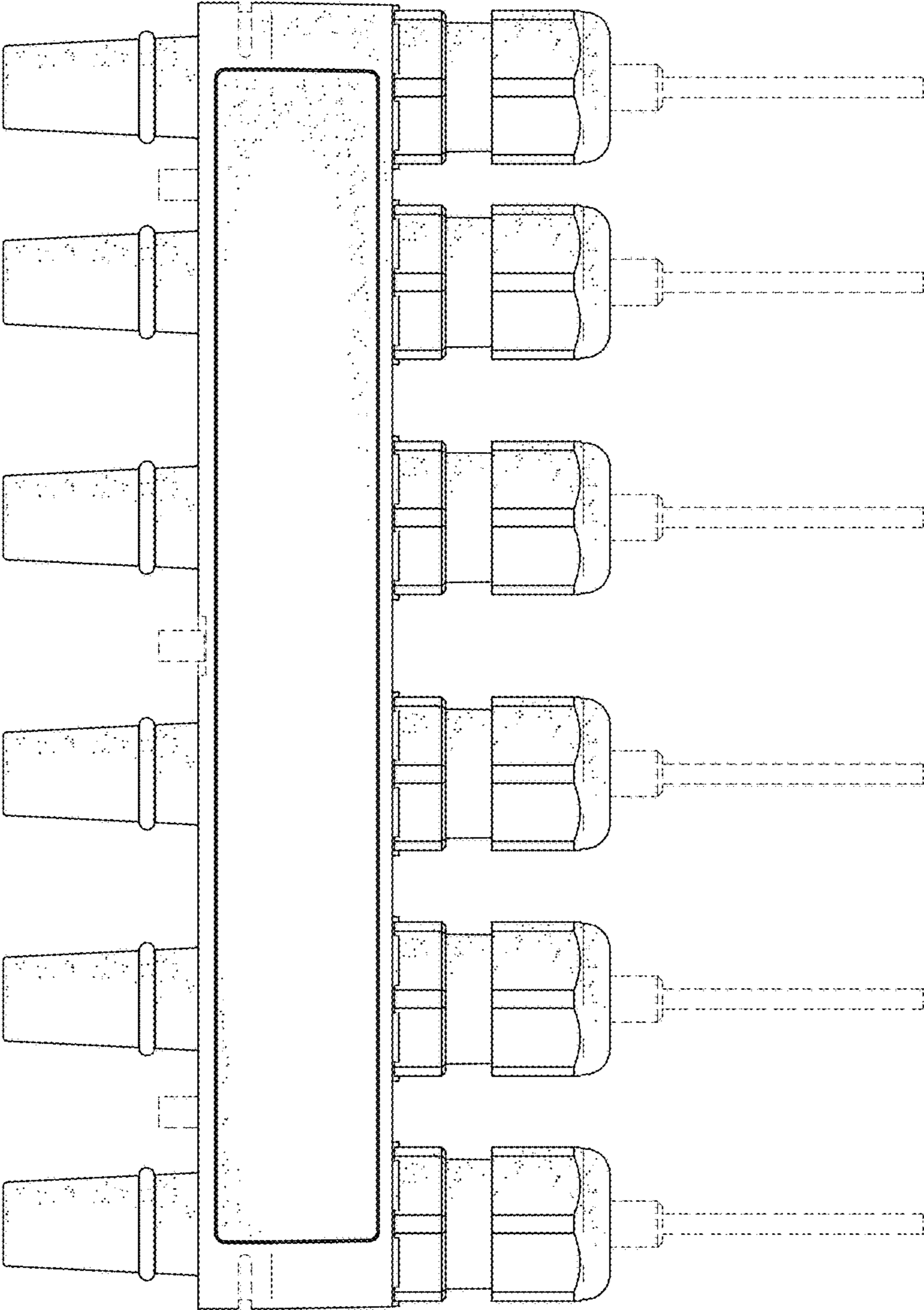


FIG. 7

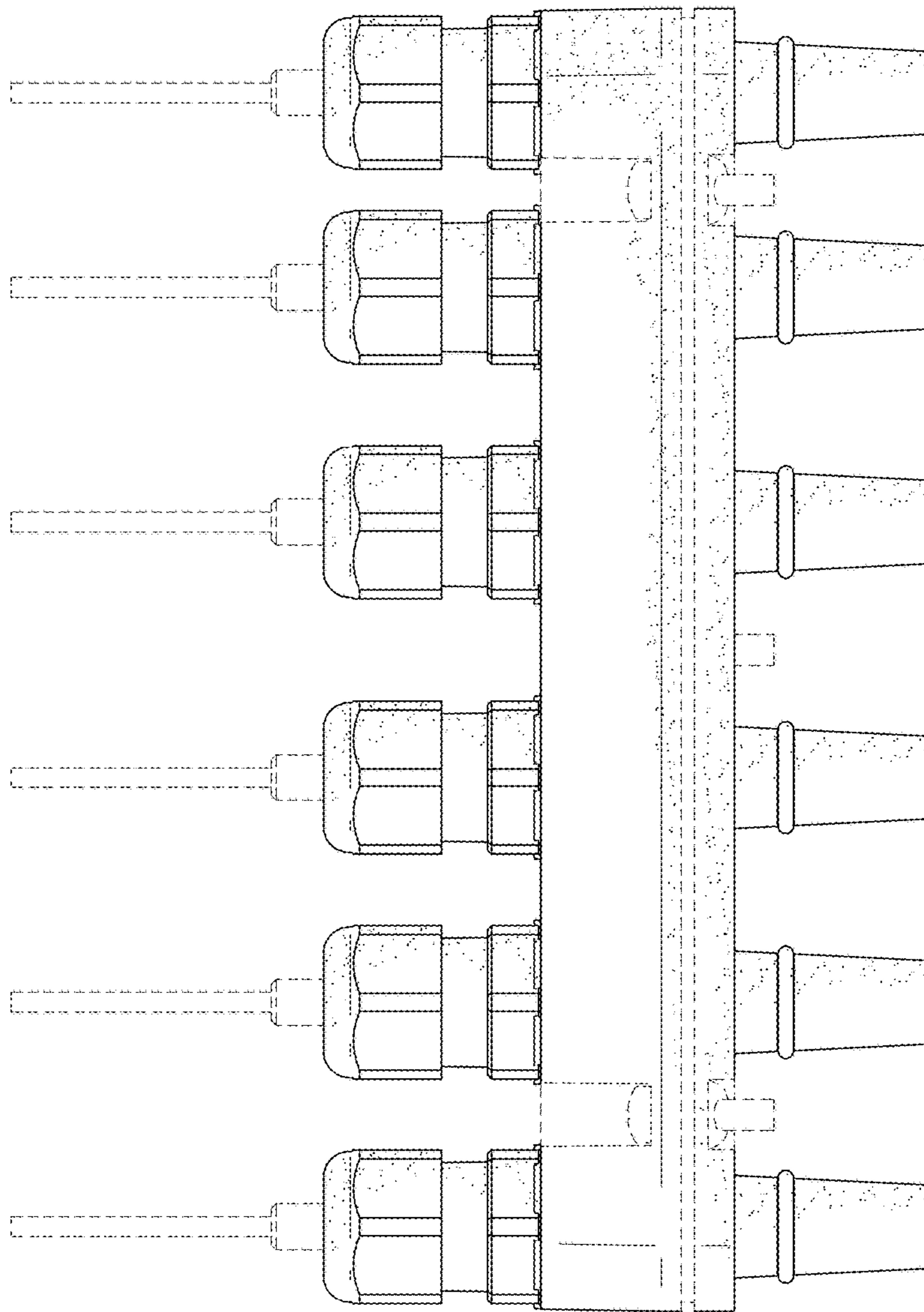


FIG. 8