



US00D862391S

(12) **United States Design Patent** (10) **Patent No.:** **US D862,391 S**
Sutter et al. (45) **Date of Patent:** **** *Oct. 8, 2019**

(54) **MODULAR ELECTRICAL CONNECTOR**

(71) Applicant: **IDEAL Industries, Inc.**, Sycamore, IL (US)

(72) Inventors: **Robert W. Sutter**, DeKalb, IL (US);
Jeffrey Meader, Naperville, IL (US)

(73) Assignee: **IDEAL Industries, Inc.**, Sycamore, IL (US)

(*) Notice: This patent is subject to a terminal disclaimer.

(**) Term: **15 Years**

(21) Appl. No.: **29/598,029**

(22) Filed: **Mar. 22, 2017**

(51) **LOC (12) Cl.** **13-03**

(52) **U.S. Cl.**
USPC **D13/147**

(58) **Field of Classification Search**
USPC D13/107, 123, 133, 146, 147, 154, 184,
D13/199

CPC H02J 7/0045; H02J 7/0047; H02J 7/0052;
H02J 2007/0049; H02J 2007/005; H02J
2007/0062; H02J 2007/0096; H01R
13/516; H01R 13/6453; H01R 13/659;
H01R 13/6595

See application file for complete search history.

(56) **References Cited**

U.S. PATENT DOCUMENTS

D260,513 S *	9/1981	Comstock	D13/126
D304,027 S *	10/1989	Matsuzaki	D13/147
D304,028 S *	10/1989	Matsuzaki	D13/147
D399,047 S *	10/1998	Yoshida	D13/147
D603,796 S *	11/2009	Sticker	D13/147
D637,971 S *	5/2011	Canning	D13/154
D768,083 S *	10/2016	Zhou	D13/147

D768,574 S *	10/2016	Zhou	D13/147
D815,601 S *	4/2018	Tsay	D13/147
2015/0293317 A1*	10/2015	Kim	G02B 6/423 385/89

FOREIGN PATENT DOCUMENTS

TW	D157582	12/2013
TW	D159820	4/2014

OTHER PUBLICATIONS

Mexican Institute of Industrial Property, English translation of Office Action issued on Mexican design application No. MX/f/2017/002802, dated Mar. 14, 2019, 1 page.

Mexican Institute of Industrial Property, English translation of Office Action issued on Mexican design application No. MX/f/2017/002799, dated Mar. 14, 2019, 1 page.

(Continued)

Primary Examiner — Daniel Bui

(74) *Attorney, Agent, or Firm* — Greenberg Traurig, LLP

(57) **CLAIM**

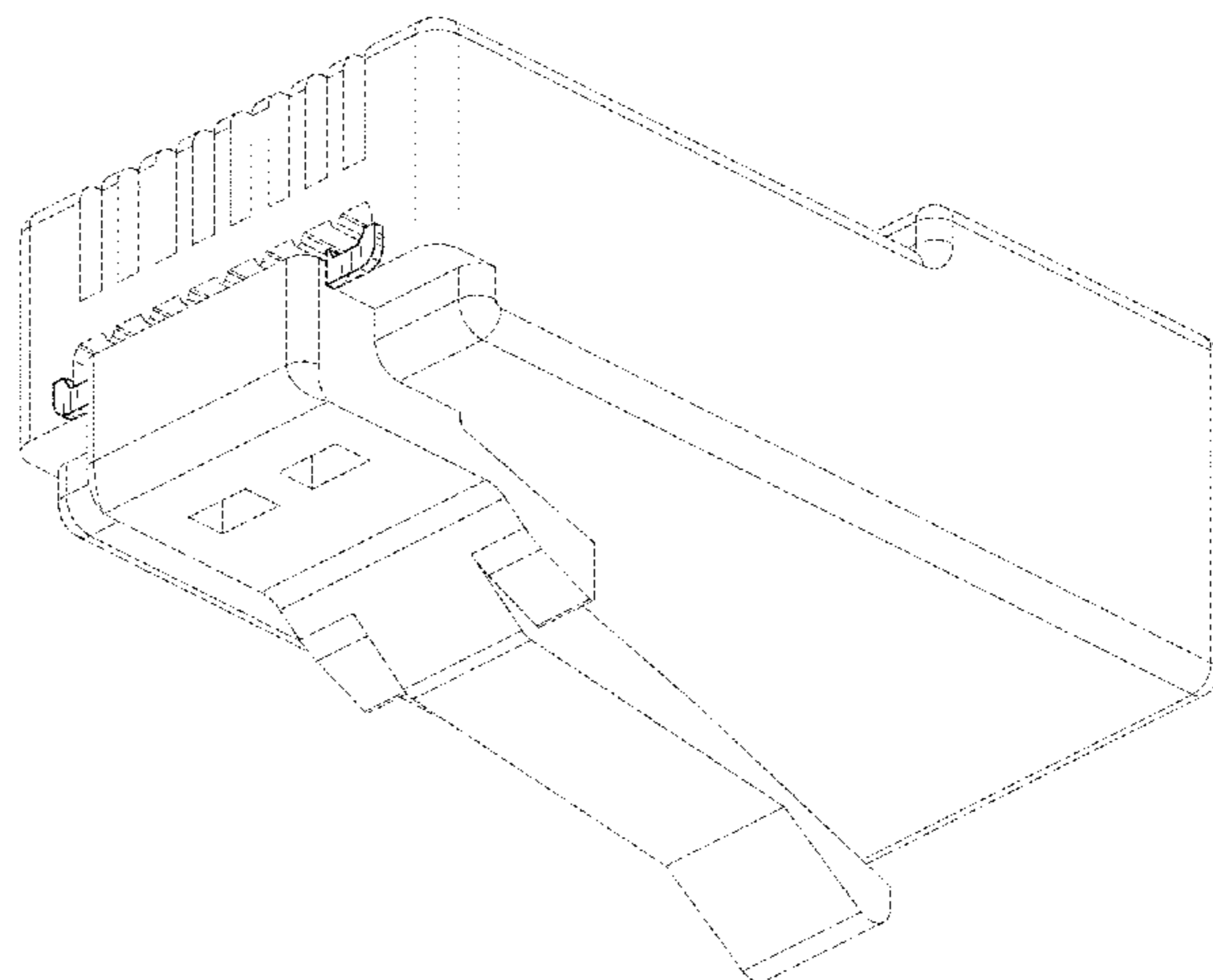
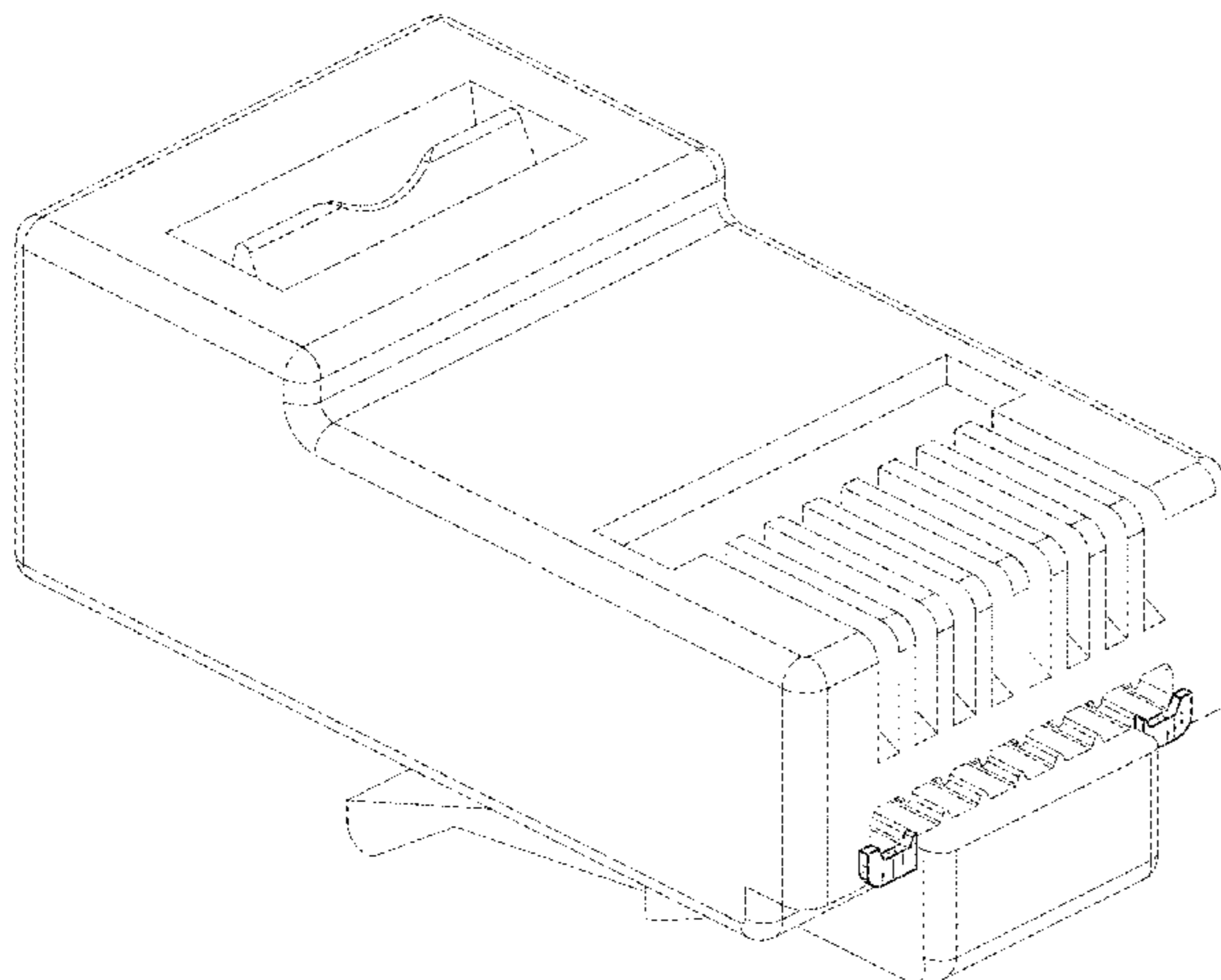
The ornamental design for a modular electrical connector, as shown and described.

DESCRIPTION

FIG. 1 is a top, front perspective view of a modular electrical connector showing our new design;
FIG. 2 is a bottom, front perspective view thereof;
FIG. 3 is a front side elevational view thereof;
FIG. 4 is a rear side elevational view thereof;
FIG. 5 is a left side elevational view thereof;
FIG. 6 is a right side elevational view thereof;
FIG. 7 is a top plan view thereof; and,
FIG. 8 is a bottom plan view thereof.

The broken lines in the drawing views represent unclaimed portions of the modular electrical connector only and form no part of the claimed design. The dash-dot line represents the boundary of the claimed design.

1 Claim, 8 Drawing Sheets



(56)

References Cited

OTHER PUBLICATIONS

TIPO, Office Action issued on Taiwan Design Application No. 106305344, dated Apr. 27, 2018, 3 pages.
TIPO, Office Action issued on Taiwan Design Application No. 106305343, dated May 14, 2018, 3 pages.
TIPO, Office Action issued on Taiwan Design Application No. 106305345, dated May 2, 2018, 5 pages.
TIPO, Office Action issued on Taiwan Design Application No. 106305346, dated Apr. 27, 2018, 3 pages.
TIPO, Office Action issued on Taiwan Design Application No. 106305347, dated May 2, 2018, 5 pages.

* cited by examiner

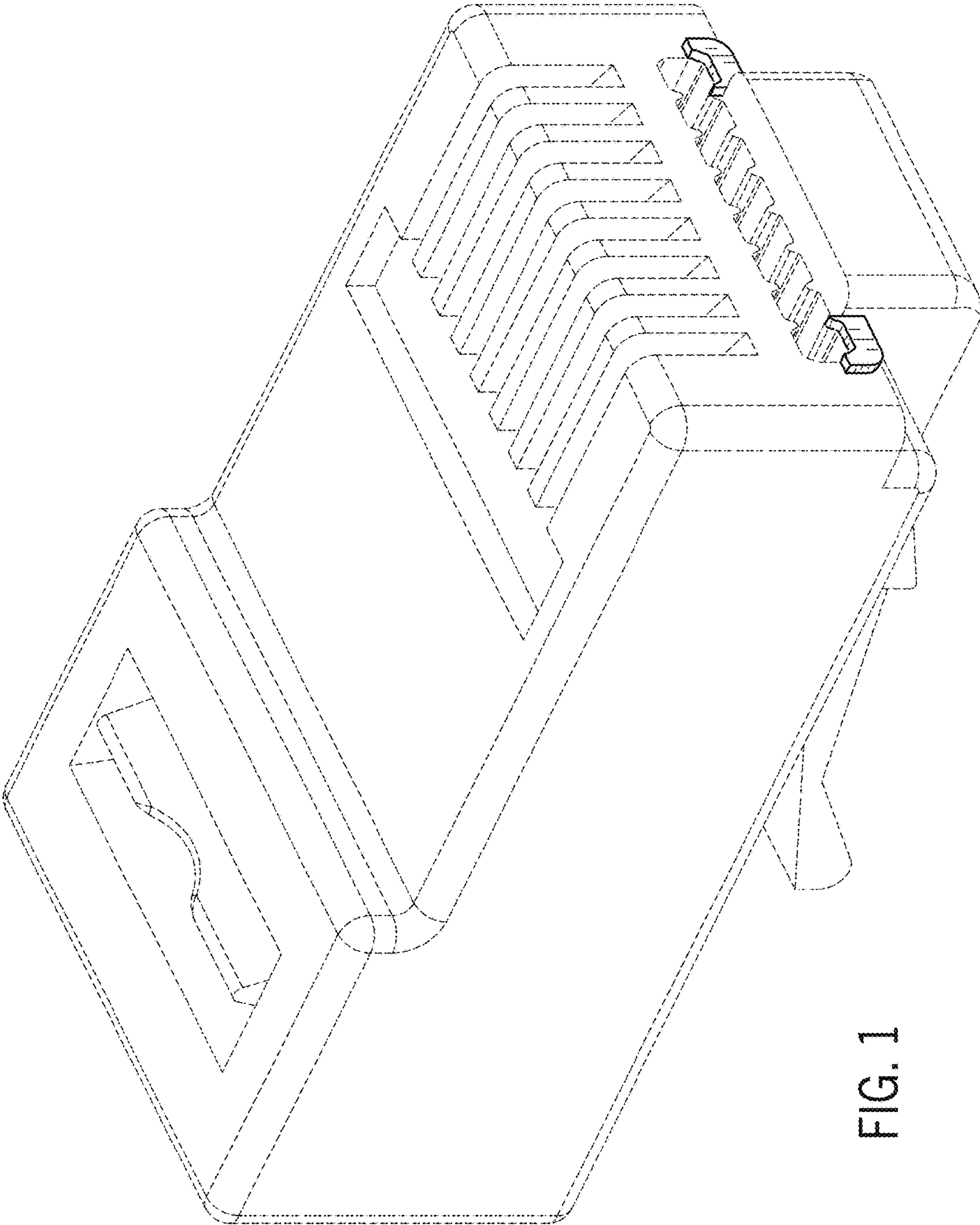


FIG. 1

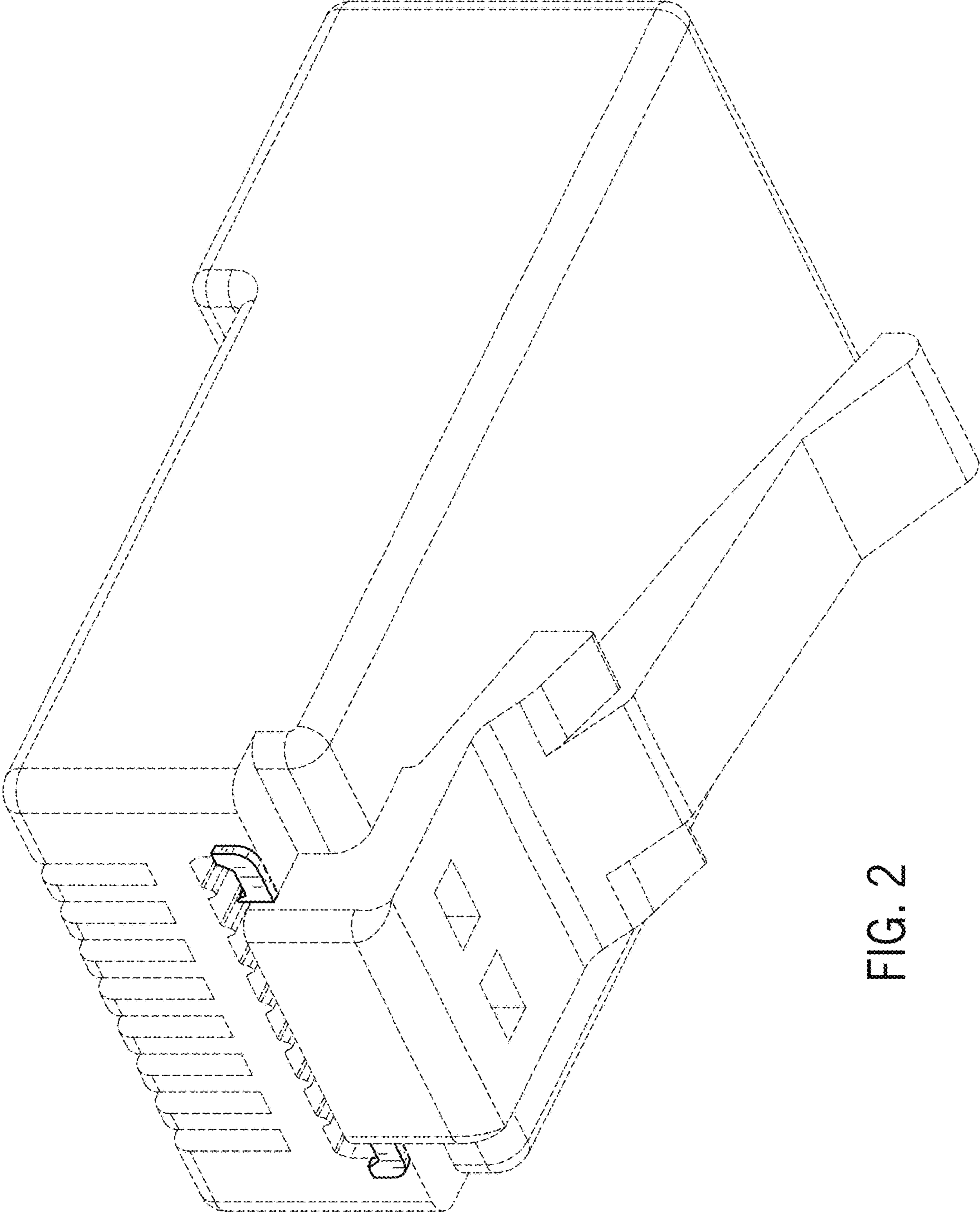


FIG. 2

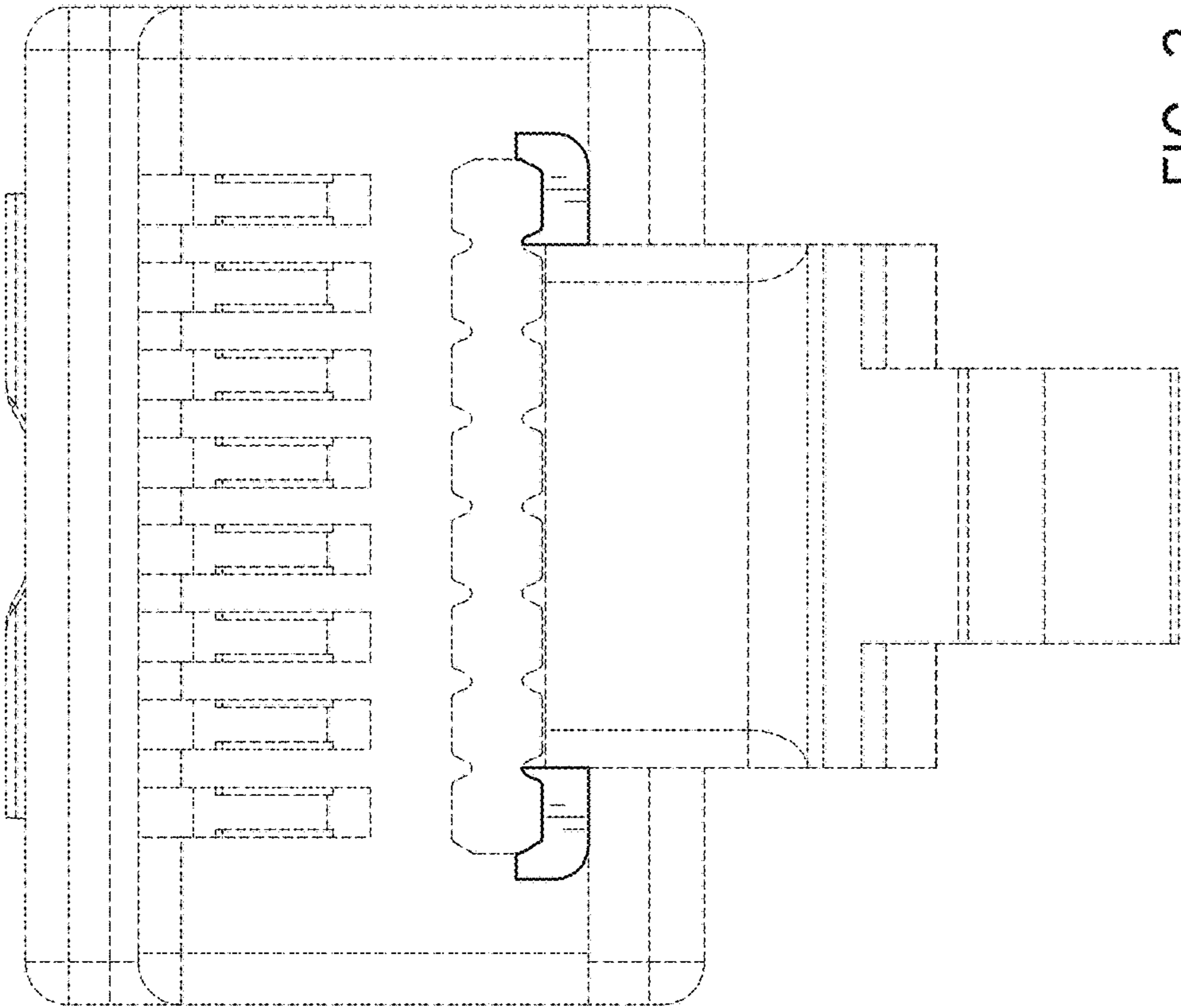


FIG. 3

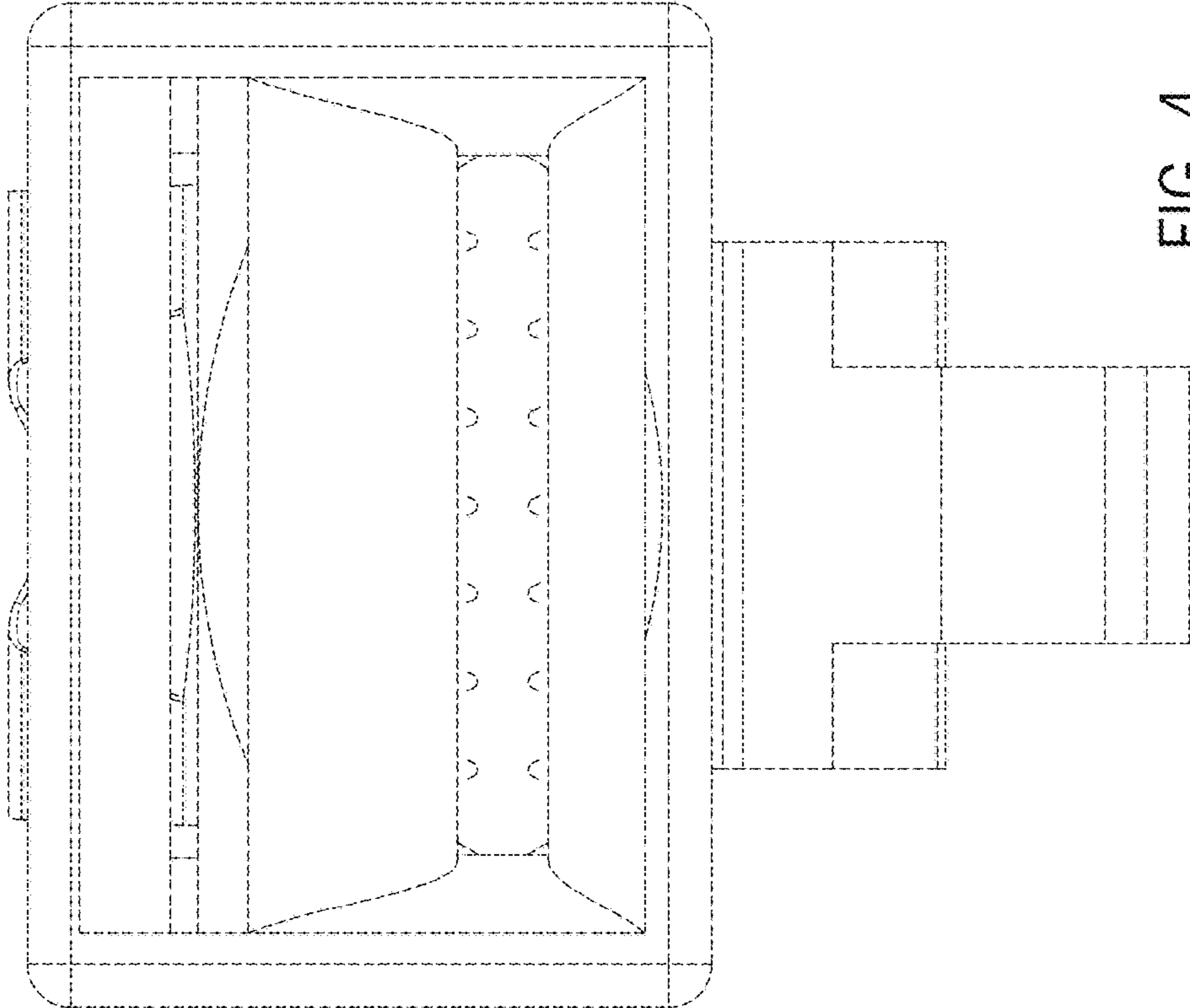


FIG. 4

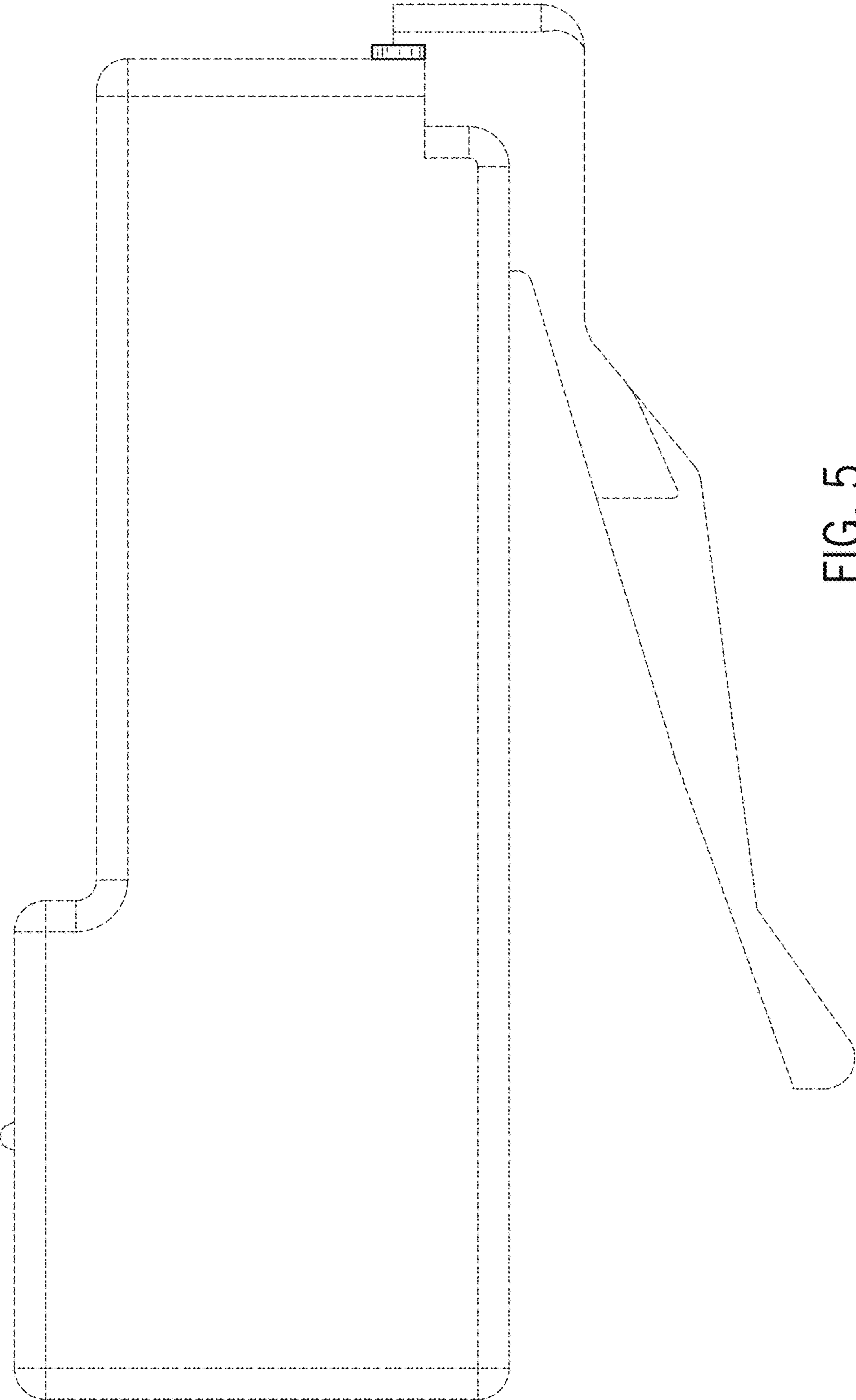


FIG. 5

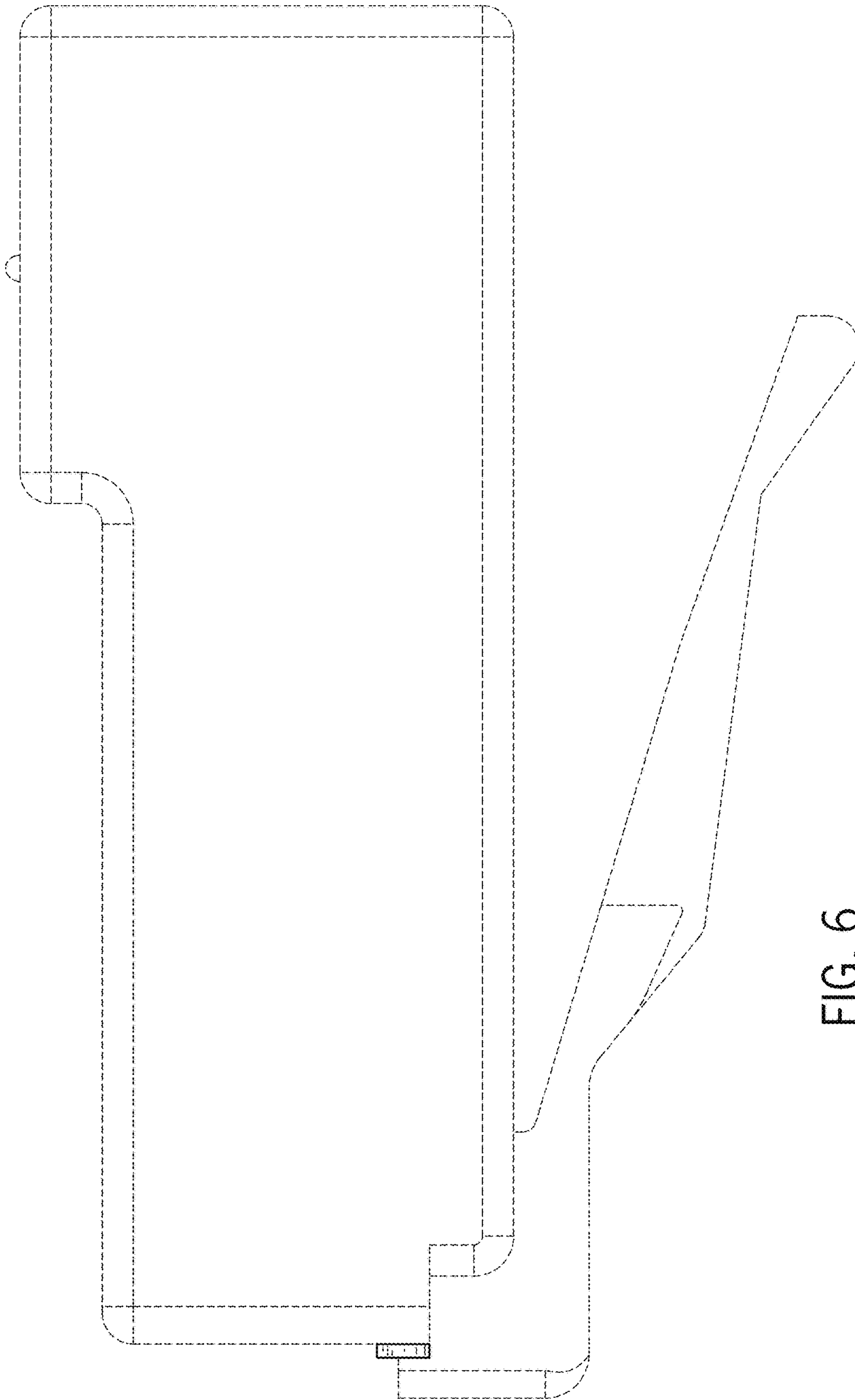


FIG. 6

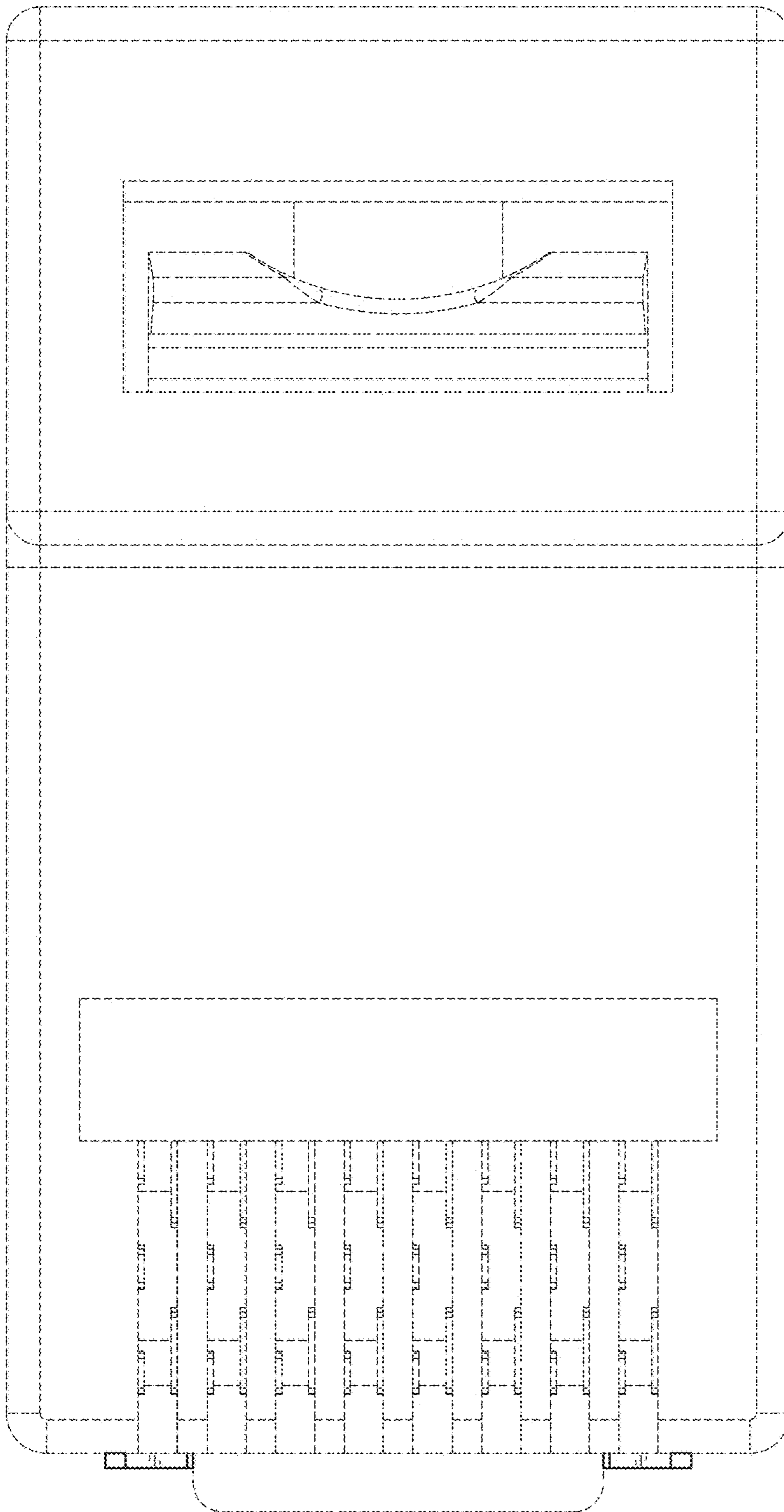


FIG. 7

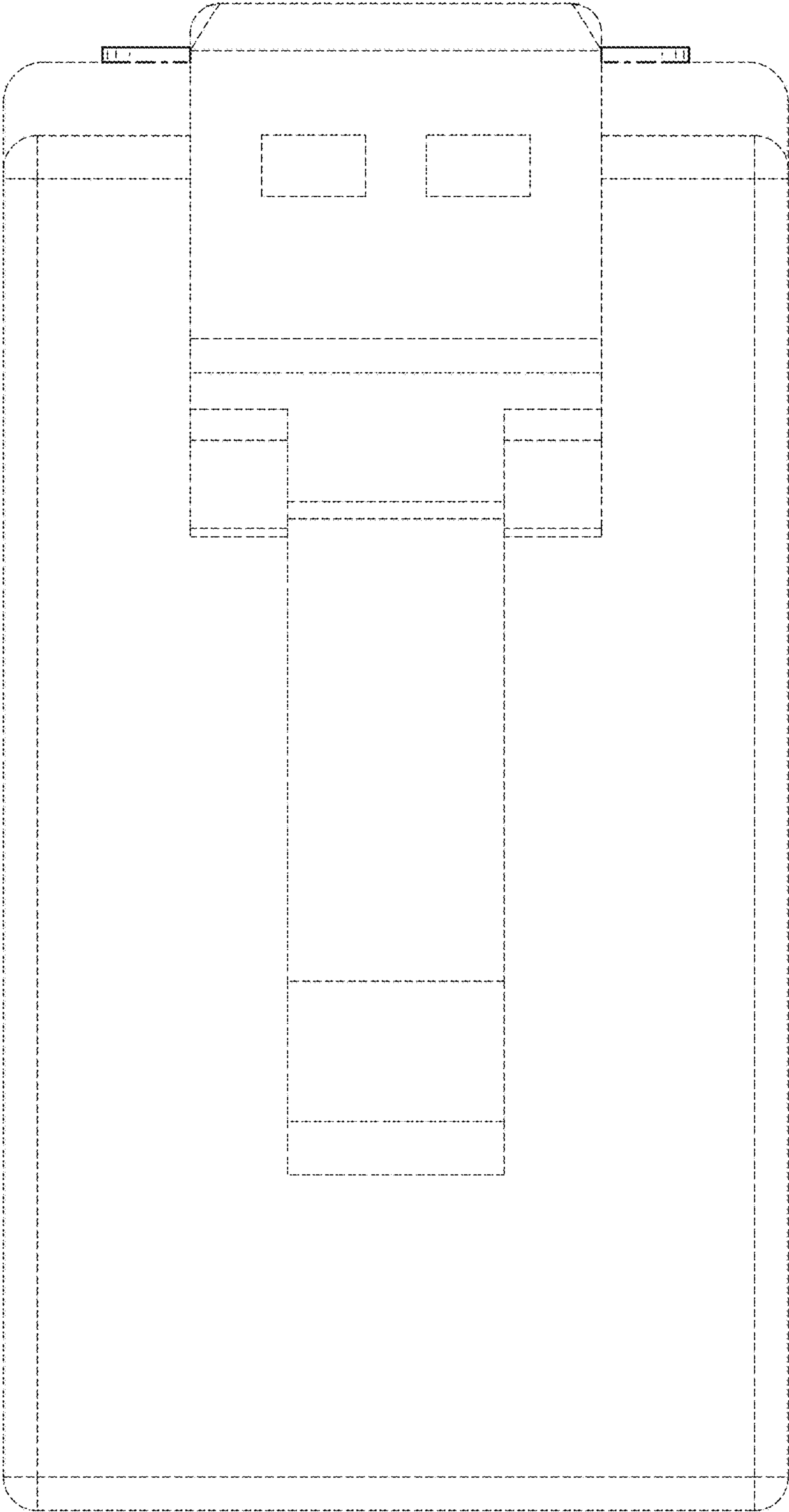


FIG. 8