



US00D862390S

(12) **United States Design Patent**  
**Tomasson et al.**

(10) **Patent No.:** **US D862,390 S**

(45) **Date of Patent:** **\*\* Oct. 8, 2019**

(54) **CHARGING PORT FOR VEHICLE**

(56) **References Cited**

(71) Applicant: **NIO NEXTEV LIMITED**, Hong Kong (HK)

U.S. PATENT DOCUMENTS

(72) Inventors: **Kris Tomasson**, Hong Kong (HK); **Juho Suh**, Hong Kong (HK); **Jim Baste**, Hong Kong (HK); **Salvatore Aita**, Hong Kong (HK); **Vasiliy Kurkov**, Hong Kong (HK); **Soowan Park**, Hong Kong (HK)

D274,548 S *	7/1984	Shaw .....	D12/197
D275,984 S *	10/1984	Shaw .....	D12/197
D300,129 S *	3/1989	Whitley, II .....	D12/197
D312,442 S *	11/1990	Whitley, II .....	D12/197
5,401,174 A *	3/1995	Hansen .....	B60L 11/1818 180/65.1
D359,946 S *	7/1995	Biasotti .....	D13/133
D374,206 S *	10/1996	Nagashima .....	D12/190
D432,983 S *	10/2000	Lohrding .....	D13/107
D463,359 S *	9/2002	Nawrozki .....	D13/107
D506,426 S *	6/2005	Quast .....	D12/197

(73) Assignee: **NIO NEXTEV LIMITED**, Hong Kong (HK)

(Continued)

(\*\*) Term: **15 Years**

OTHER PUBLICATIONS

(21) Appl. No.: **29/614,308**

Automobile Charging Port. (Design—©Questel) orbit.com.[online PDF] 8 pgs. Print Dates range Oct. 11, 2017 through Dec. 15, 2017 [Retrieved on Nov. 6, 2018] <https://sobjprd.questel.fr/export/QPTUJ214/pdf2/52b2782c-ff4f-4381-802d-a60ec4c6d772-173036.pdf>.\*

(22) Filed: **Aug. 17, 2017**

(30) **Foreign Application Priority Data**

Apr. 14, 2017 (CN) ..... 2017 3 0124189

*Primary Examiner* — Marie D. Fast Horse

(51) **LOC (12) Cl.** ..... **13-03**

(74) *Attorney, Agent, or Firm* — Hogan Lovells US LLP

(52) **U.S. Cl.**

USPC ..... **D13/146**; D12/415; D12/190; D13/107

(58) **Field of Classification Search**

USPC ..... D14/434, 432, 433, 440, 447, 251–253, D14/451, 452, 454, 140, 142, 149, 217, D14/240, 299, 496, 356, 357, 358, 209.1, D14/171; D13/103, 107, 108, 118, 119, D13/110, 123, 184, 146, 133, 139.1, 149, D13/120; D21/333; D6/512, 672, 682; D12/400, 415, 406, 190, 197

CPC .... G06F 1/1616; G06F 1/1626; G06F 1/1632; G06F 1/1688; G06F 13/00; H01M 10/44; F16M 11/10; F16M 11/20; H02J 7/0042; H02J 7/00; H02J 7/0027; H02J 7/0044; H02J 7/0045; H02J 7/355; H01R 31/065; H01R 13/74; H04R 1/025; H04R 5/04; B60L 11/1809; B60L 11/1818

See application file for complete search history.

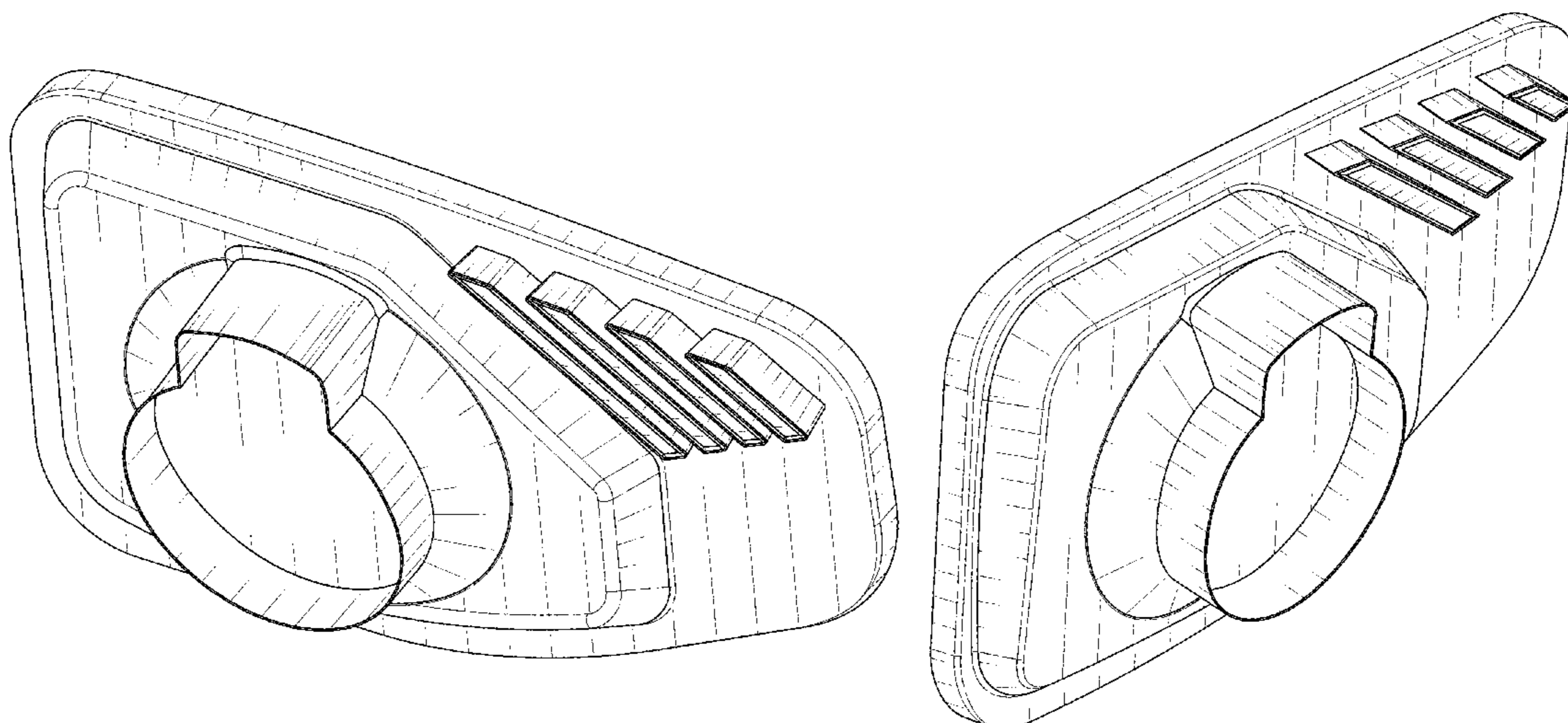
(57) **CLAIM**

The ornamental design for a charging port for vehicle, as shown and described.

**DESCRIPTION**

FIG. 1 is a front view of a charging port for vehicle showing our new design;  
FIG. 2 is a rear view thereof;  
FIG. 3 is a left side view thereof;  
FIG. 4 is a right side view thereof;  
FIG. 5 is a top view thereof;  
FIG. 6 is a bottom view thereof;  
FIG. 7 is a perspective view thereof; and,  
FIG. 8 is a perspective view thereof.

**1 Claim, 8 Drawing Sheets**



(56)

References Cited

U.S. PATENT DOCUMENTS

D514,507 S \* 2/2006 Cheung ..... D13/107  
 D515,502 S \* 2/2006 Wen ..... D13/107  
 D525,582 S \* 7/2006 Chan ..... D13/107  
 D583,314 S \* 12/2008 Price ..... D13/107  
 D602,433 S \* 10/2009 Katou ..... D13/120  
 D628,950 S \* 12/2010 Hsiao ..... D12/415  
 D662,469 S \* 6/2012 Mulder ..... D13/107  
 D668,596 S \* 10/2012 Leahy ..... D12/190  
 D686,983 S \* 7/2013 Schygge ..... D13/107  
 8,668,506 B2 \* 3/2014 Stack ..... B60L 11/1818  
 439/136  
 D709,829 S \* 7/2014 McKee ..... D13/110  
 D710,785 S \* 8/2014 Jacobsthal ..... D12/415  
 D724,031 S \* 3/2015 Musk ..... D13/146  
 D725,032 S \* 3/2015 Demirjian ..... D13/107  
 D730,215 S \* 5/2015 Silverman ..... D10/78  
 D731,965 S \* 6/2015 Moribe ..... D13/107  
 D732,470 S \* 6/2015 Moribe ..... D13/107  
 D733,044 S \* 6/2015 Moribe ..... D13/107  
 D733,647 S \* 7/2015 Farrell ..... D13/107  
 D742,300 S \* 11/2015 Fontaeus ..... D12/415  
 9,293,932 B2 \* 3/2016 Ohtomo ..... B60L 11/1809  
 9,321,363 B2 \* 4/2016 Yamamaru ..... B60K 15/05  
 D763,851 S \* 8/2016 Schneider ..... D14/238

D766,830 S \* 9/2016 Parks ..... D13/133  
 D767,470 S \* 9/2016 Klabunde ..... D12/415  
 D768,080 S \* 10/2016 Parks ..... D13/133  
 D771,562 S \* 11/2016 Dolle ..... D13/107  
 D774,460 S \* 12/2016 Wu ..... D13/146  
 D780,667 S \* 3/2017 Kim ..... D12/415  
 D781,233 S \* 3/2017 Visel ..... D13/133  
 D781,234 S \* 3/2017 Visel ..... D13/133  
 D781,773 S \* 3/2017 Kim ..... D12/415  
 D782,418 S \* 3/2017 Visel ..... D13/133  
 D783,534 S \* 4/2017 Visel ..... D13/133  
 D788,034 S \* 5/2017 Gschwandtl ..... D13/108  
 D813,157 S \* 3/2018 Rota ..... D13/107  
 D823,230 S \* 7/2018 Galib ..... D12/415  
 D825,437 S \* 8/2018 Hilton ..... D12/415  
 D829,110 S \* 9/2018 Skurdal ..... D10/2  
 2010/0246198 A1 \* 9/2010 Hook ..... B60L 11/1818  
 362/459  
 2012/0019206 A1 \* 1/2012 Sekido ..... B60L 11/1803  
 320/109  
 2013/0143432 A1 \* 6/2013 Yamashita ..... B60L 11/1874  
 439/503  
 2013/0335021 A1 \* 12/2013 Meier ..... B60L 11/1818  
 320/109  
 2015/0375630 A1 \* 12/2015 Jeong ..... B60K 15/05  
 49/386

\* cited by examiner



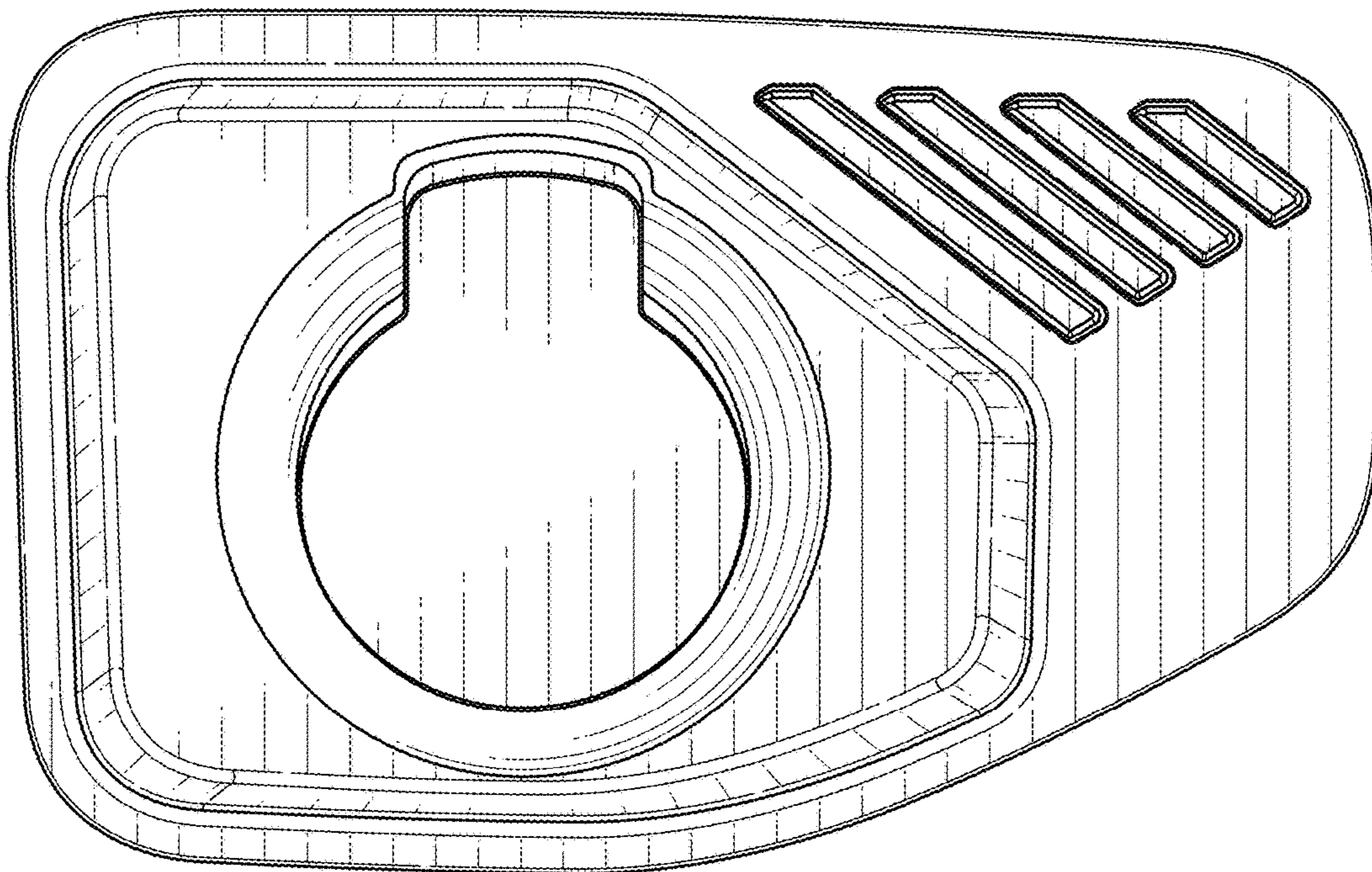


FIG. 1

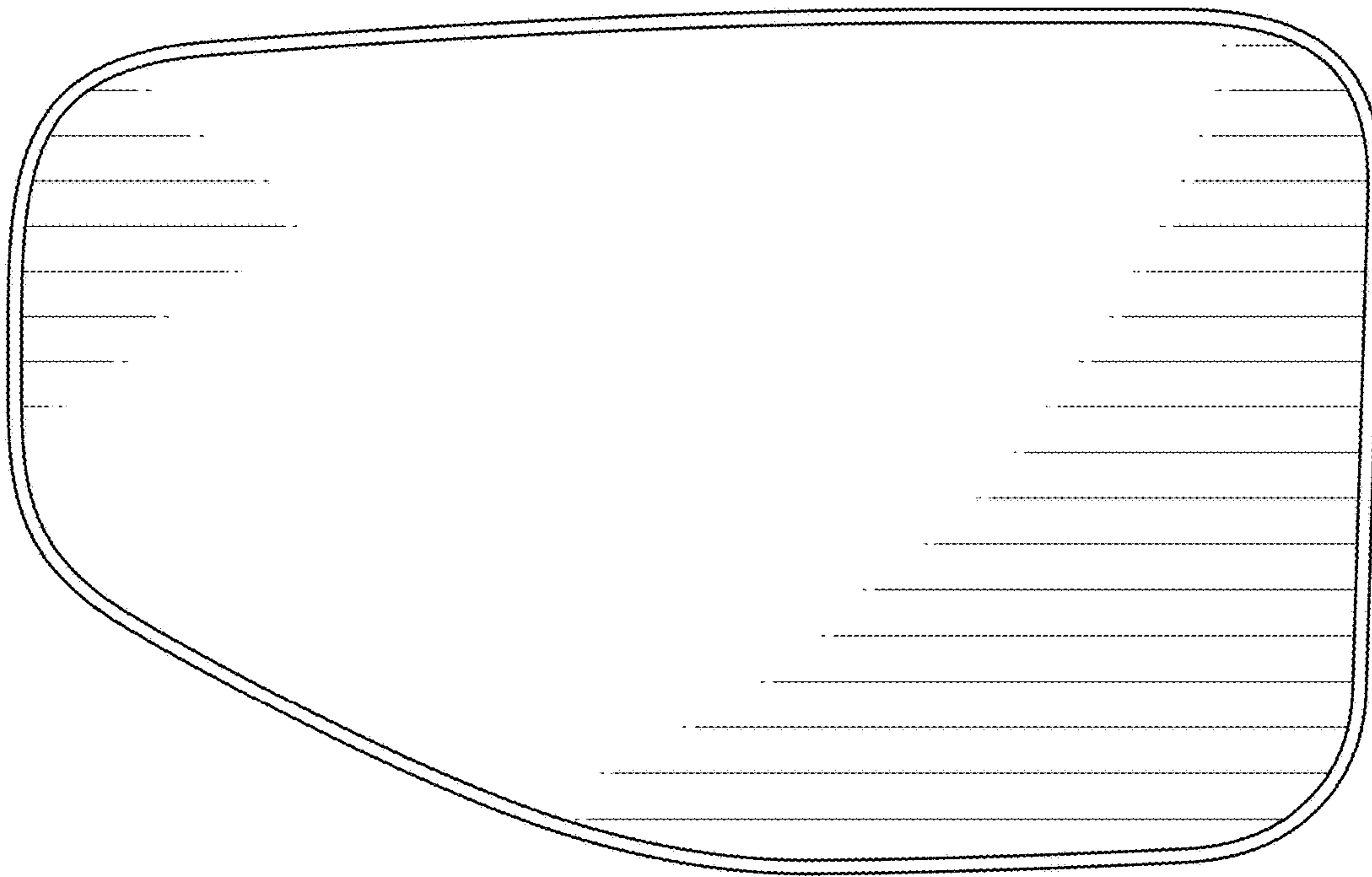


FIG. 2

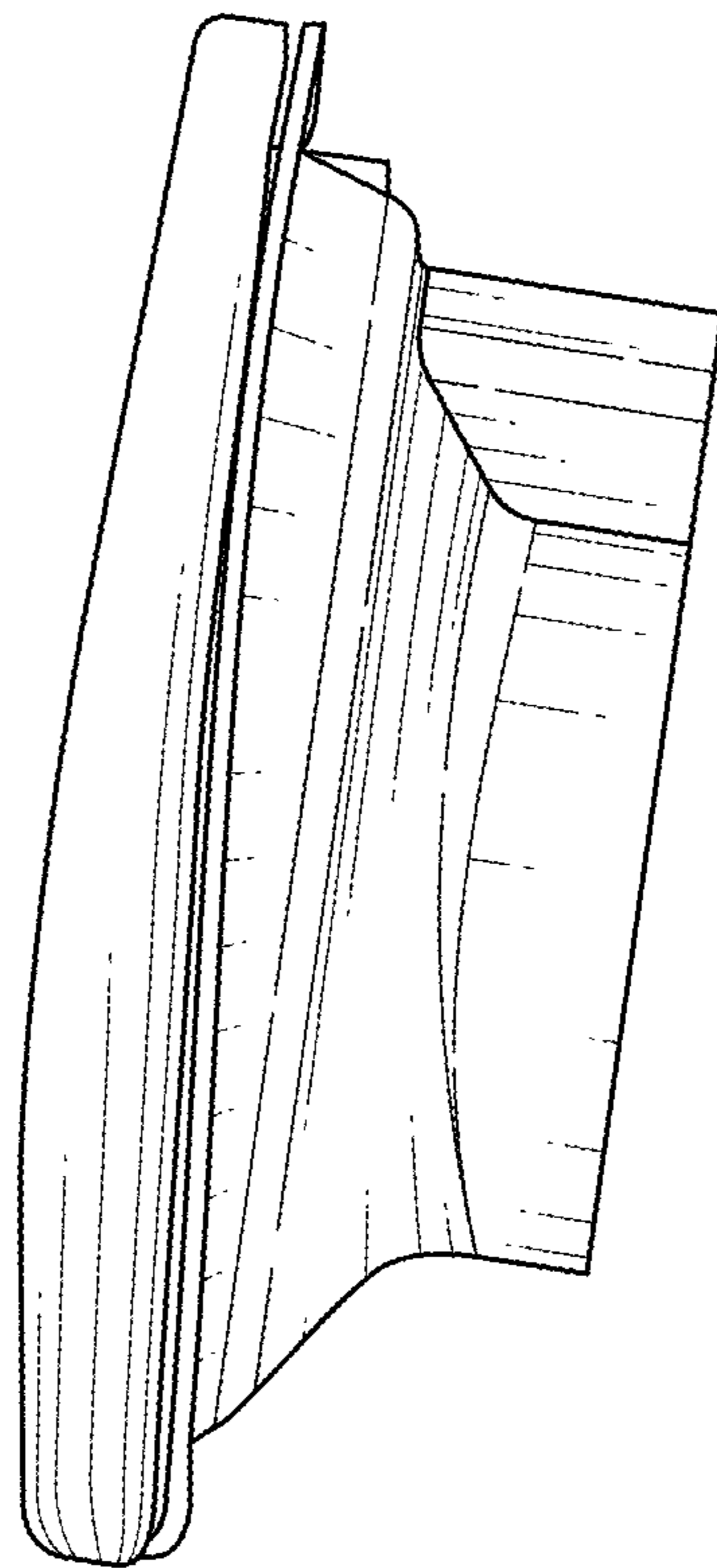


FIG. 3

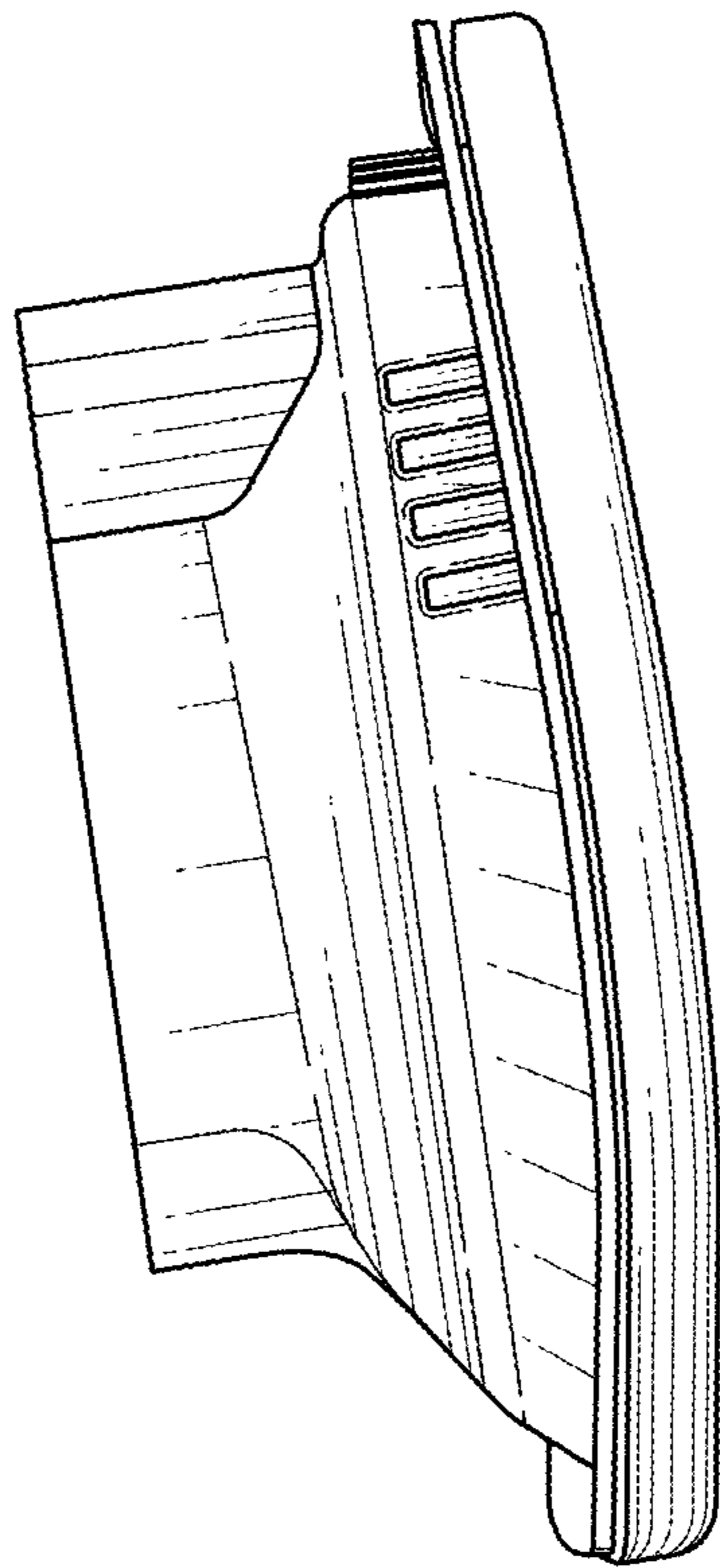


FIG. 4

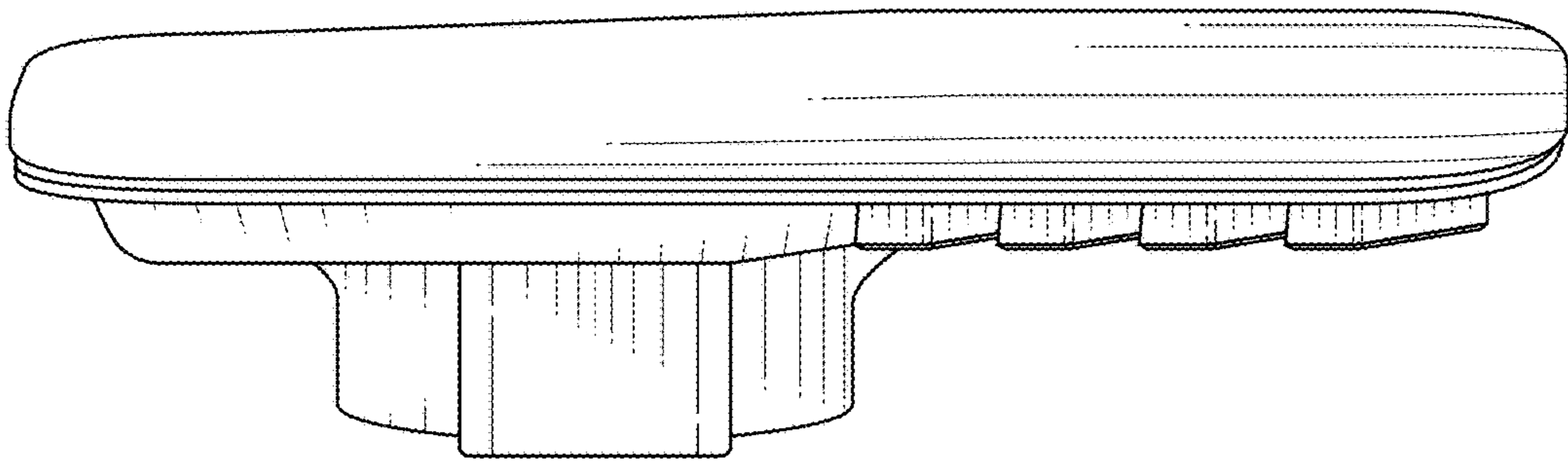


FIG. 5

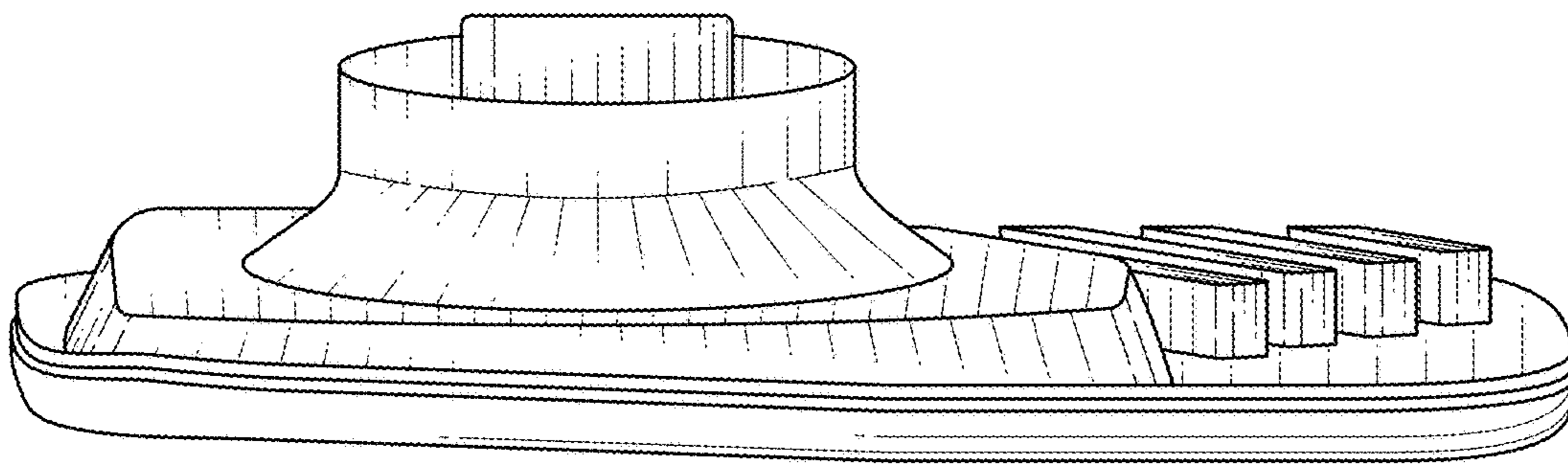


FIG. 6



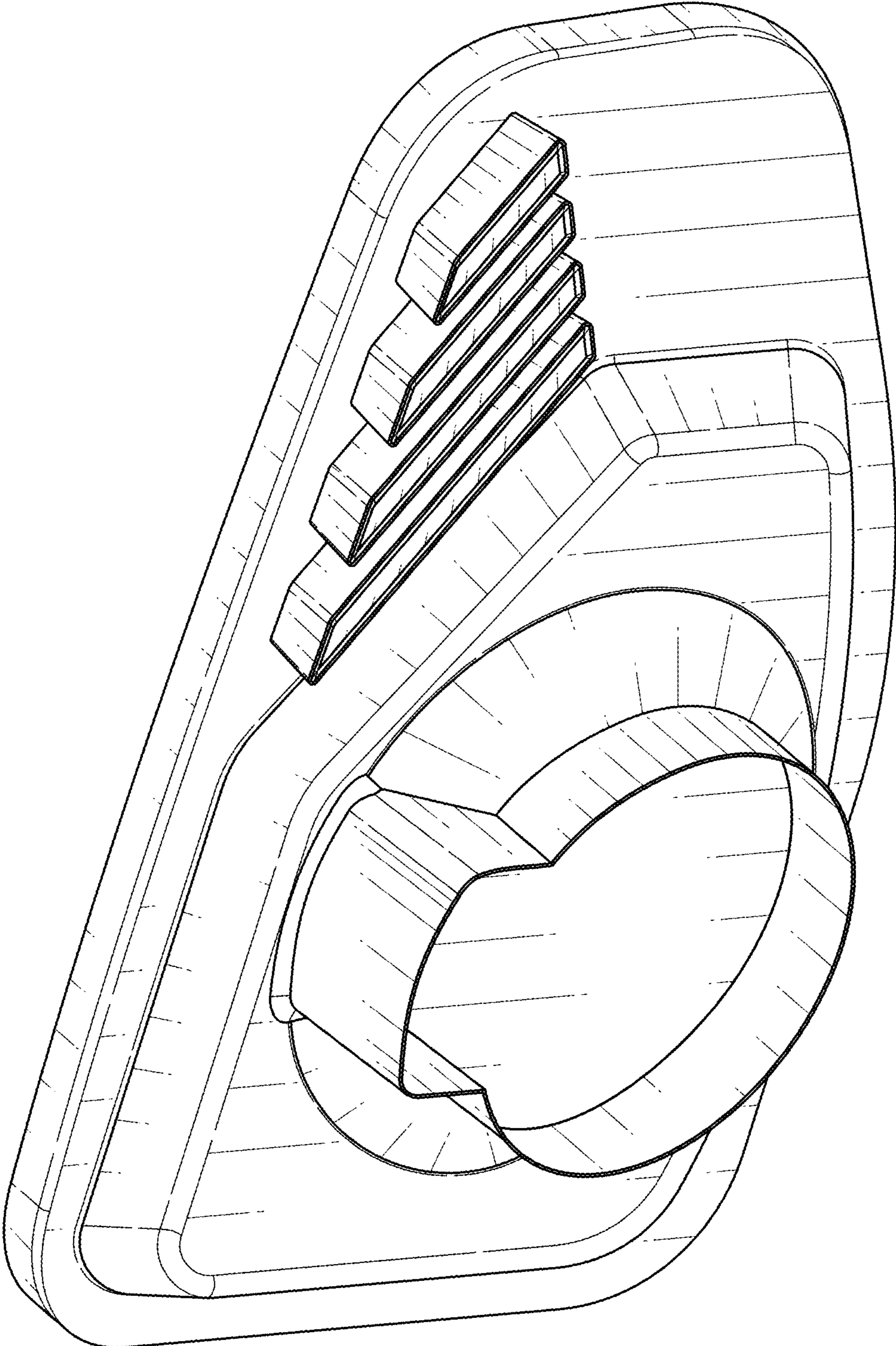


FIG. 7

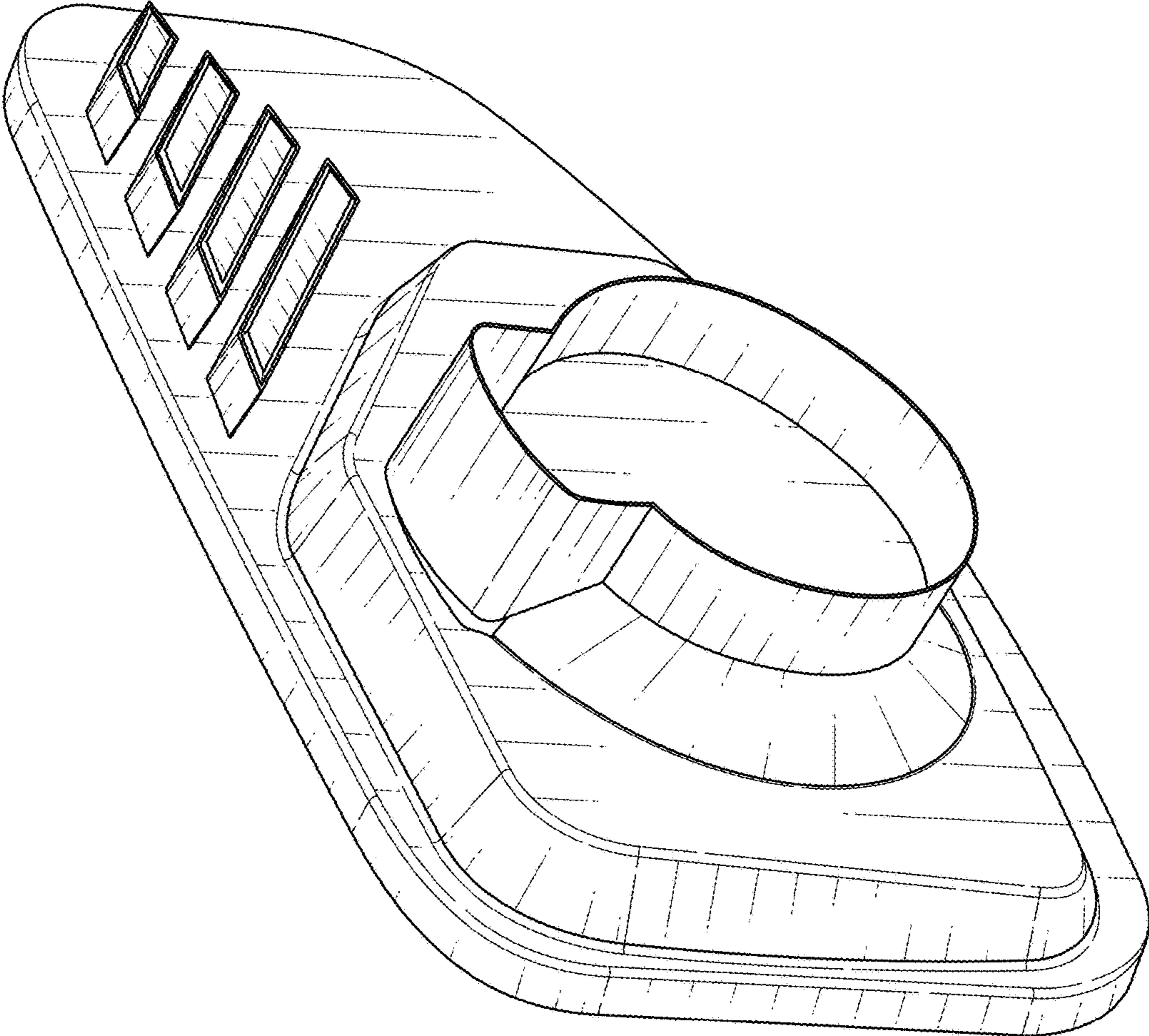


FIG. 8